



US00D924049S

(12) **United States Design Patent**
Carr et al.

(10) **Patent No.:** **US D924,049 S**
(45) **Date of Patent:** **** Jul. 6, 2021**

- (54) **PACKAGING AND DISPLAY CONTAINER**
- (71) Applicant: **Custom Accessories Inc.**, Richmond, IL (US)
- (72) Inventors: **Jason David Carr**, Bentleigh East (AU); **Nguyen Trung Lau**, Sunshine West (AU)
- (73) Assignee: **Custom Accessories Inc.**, Richmond, IL (US)
- (**) Term: **15 Years**
- (21) Appl. No.: **29/679,429**
- (22) Filed: **Feb. 6, 2019**
- (51) **LOC (13) Cl.** **09-03**
- (52) **U.S. Cl.**
USPC **D9/418**
- (58) **Field of Classification Search**
USPC D9/414-418, 423, 721, 499, 711, 432, D9/733, 431, 734; D19/90
CPC B65D 5/725; B65D 5/5019; B65D 5/5007; B65D 5/5026; B65D 5/52; B65D 5/5021; B65D 5/5029; B65D 71/22; B65D 5/4204
See application file for complete search history.

(56) **References Cited**

U.S. PATENT DOCUMENTS

- 2,321,473 A * 6/1943 Ferguson B65D 5/5007
206/783
- D207,746 S * 5/1967 Cote D9/418
- 3,347,357 A * 10/1967 De Soto B65D 5/52
229/112
- D211,321 S * 6/1968 Ullmann D9/418
- 3,517,801 A * 6/1970 Cote B65D 5/5007
206/779
- D230,572 S * 3/1974 Alessio D9/418
- 3,989,139 A * 11/1976 Vargo B65D 5/5026
206/778
- D245,229 S * 8/1977 Hanson D9/418

- D246,440 S * 11/1977 Hanson D9/418
- 4,109,786 A * 8/1978 Roccaforte B65D 5/5007
206/783
- 4,561,542 A * 12/1985 Przepiora B65D 5/5007
206/170
- 4,607,750 A * 8/1986 Valenti B65D 5/5021
206/443
- D291,065 S * 7/1987 Pugh D9/418
- D295,958 S * 5/1988 Pugh D9/711
- D295,960 S * 5/1988 Pugh D9/418
- D332,744 S * 1/1993 McCooey D9/415

(Continued)

Primary Examiner — Rhea Shields

(74) *Attorney, Agent, or Firm* — Leydg, Voit & Mayer, Ltd.

(57) **CLAIM**

The ornamental design for a packaging and display container, as shown and described.

DESCRIPTION

FIG. 1 is a perspective view taken from the front, top, and left side of an ornamental design for a packaging and display container.

FIG. 2 is a right side elevation view of the packaging and display container of FIG. 1.

FIG. 3 is a left side elevation view of the packaging and display container of FIG. 1.

FIG. 4 is a front elevation view of the packaging and display container of FIG. 1.

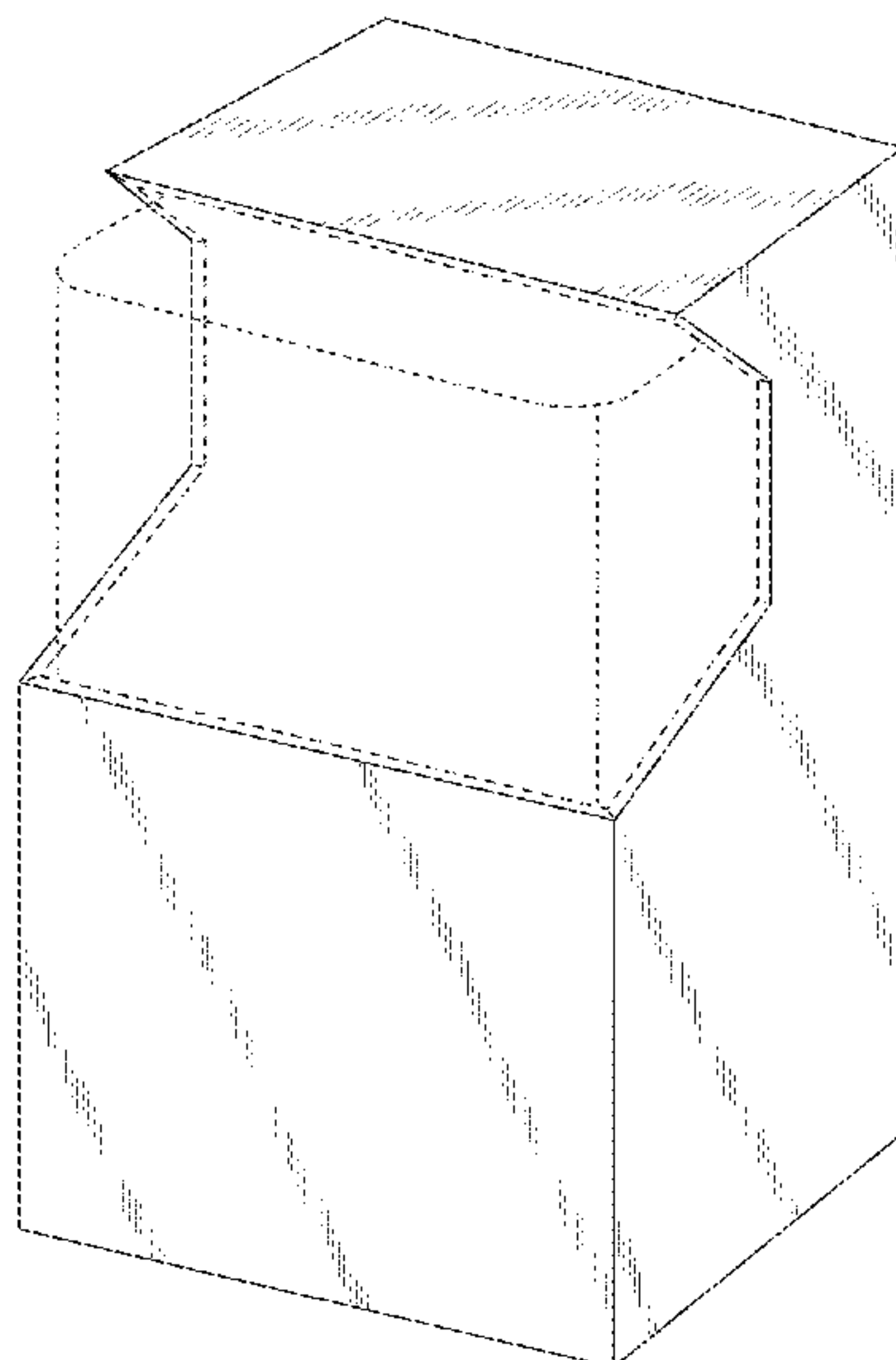
FIG. 5 is a rear elevation view of the packaging and display container of FIG. 1.

FIG. 6 is a top plan view of the packaging and display container of FIG. 1; and,

FIG. 7 is a bottom plan view of the packaging and display container of FIG. 1.

In the drawings, the broken lines are for the purpose of illustrating portions of the packaging and display container that forms no part of the claimed design.

1 Claim, 5 Drawing Sheets



(56)

References Cited

U.S. PATENT DOCUMENTS

5,425,474 A * 6/1995 Dalea B65D 5/725
206/499
D387,979 S * 12/1997 Dolan D9/415
D415,423 S * 10/1999 Miller D9/431
D528,434 S * 9/2006 Wolpow D9/733
D533,464 S * 12/2006 Wolpow D9/733
D535,193 S * 1/2007 Rutledge D9/721
D537,734 S * 3/2007 Wolpow D9/733
D575,149 S * 8/2008 Baranowski D9/432
D580,751 S * 11/2008 Blick D9/432
D597,833 S * 8/2009 Ames D9/432
D608,635 S * 1/2010 Blick D9/711
D625,179 S * 10/2010 Gibson D9/423
D694,099 S * 11/2013 Ensslen, III D9/418
D739,242 S * 9/2015 Pitera D9/499
D751,418 S * 3/2016 Fan D9/721
D782,329 S * 3/2017 Sobel D9/734
D783,395 S * 4/2017 Wang D9/418
D805,583 S * 12/2017 Melnick D19/90
D806,531 S * 1/2018 Fan D9/418
10,017,308 B2 * 7/2018 Wang B65D 71/22
10,065,762 B2 * 9/2018 Schultz B65D 5/029
2002/0084201 A1 * 7/2002 Murray B65D 5/5019
206/315.9
2020/0108986 A1 * 4/2020 Lau B65D 5/4204

* cited by examiner

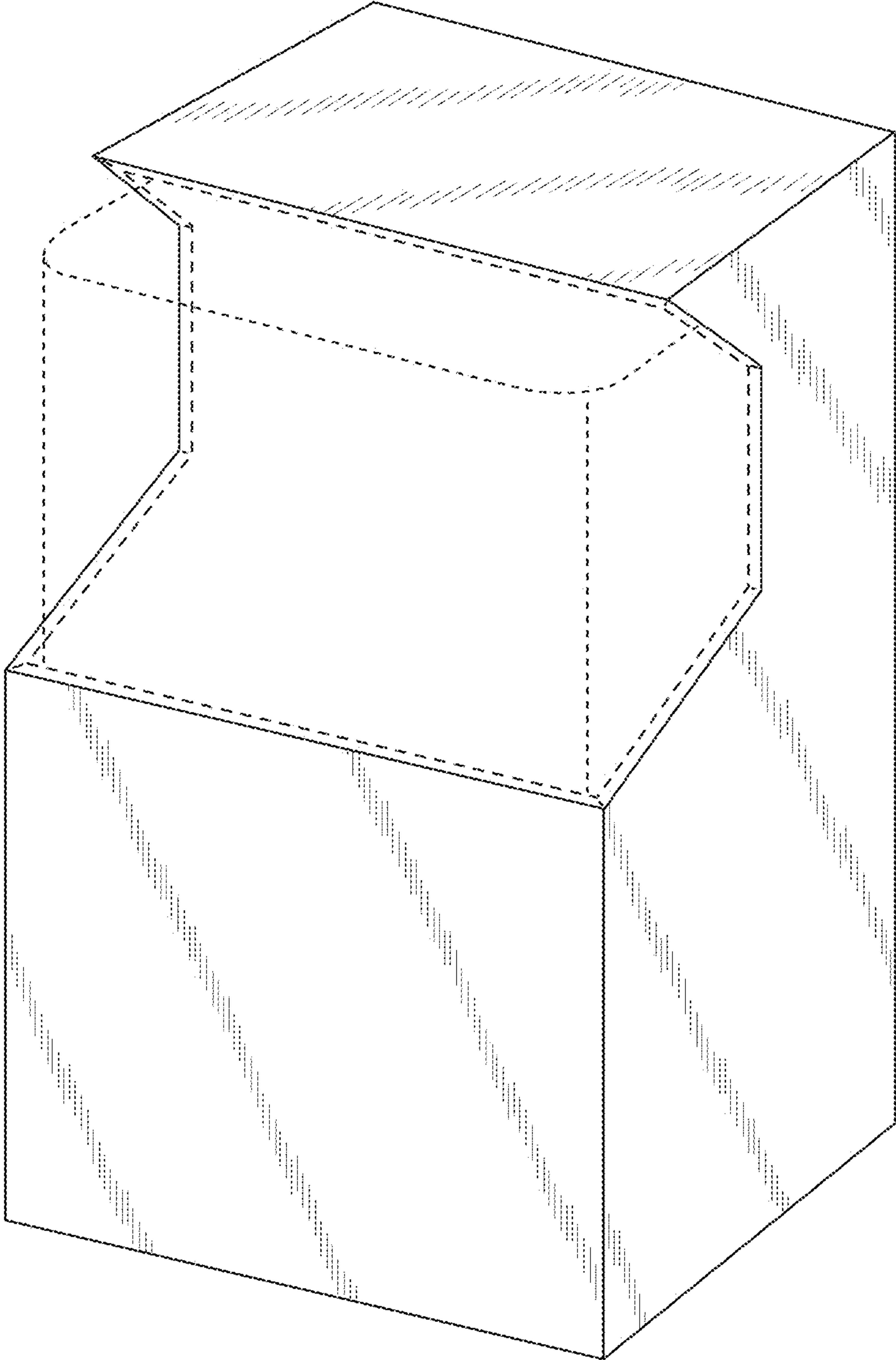


FIG. 1

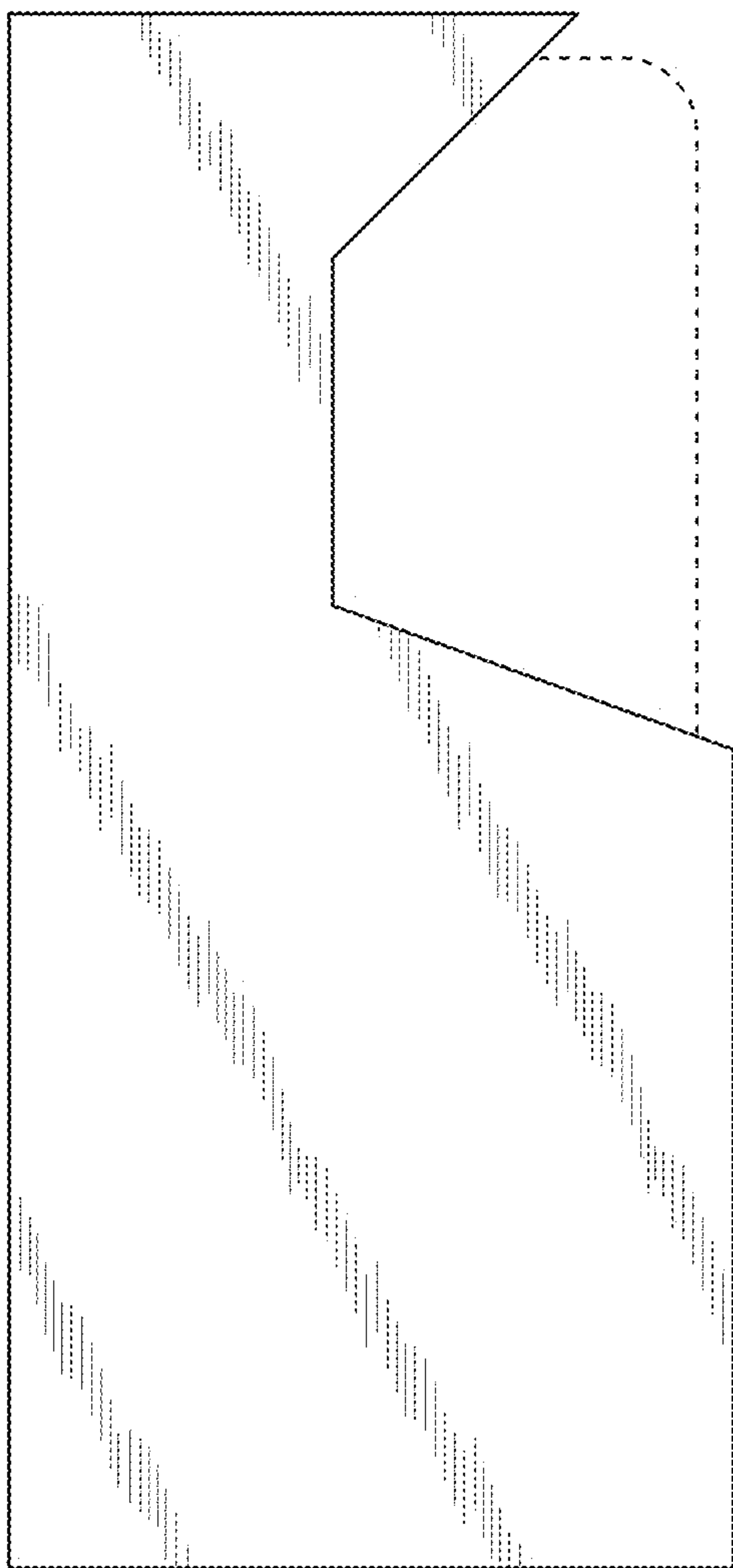


FIG. 2

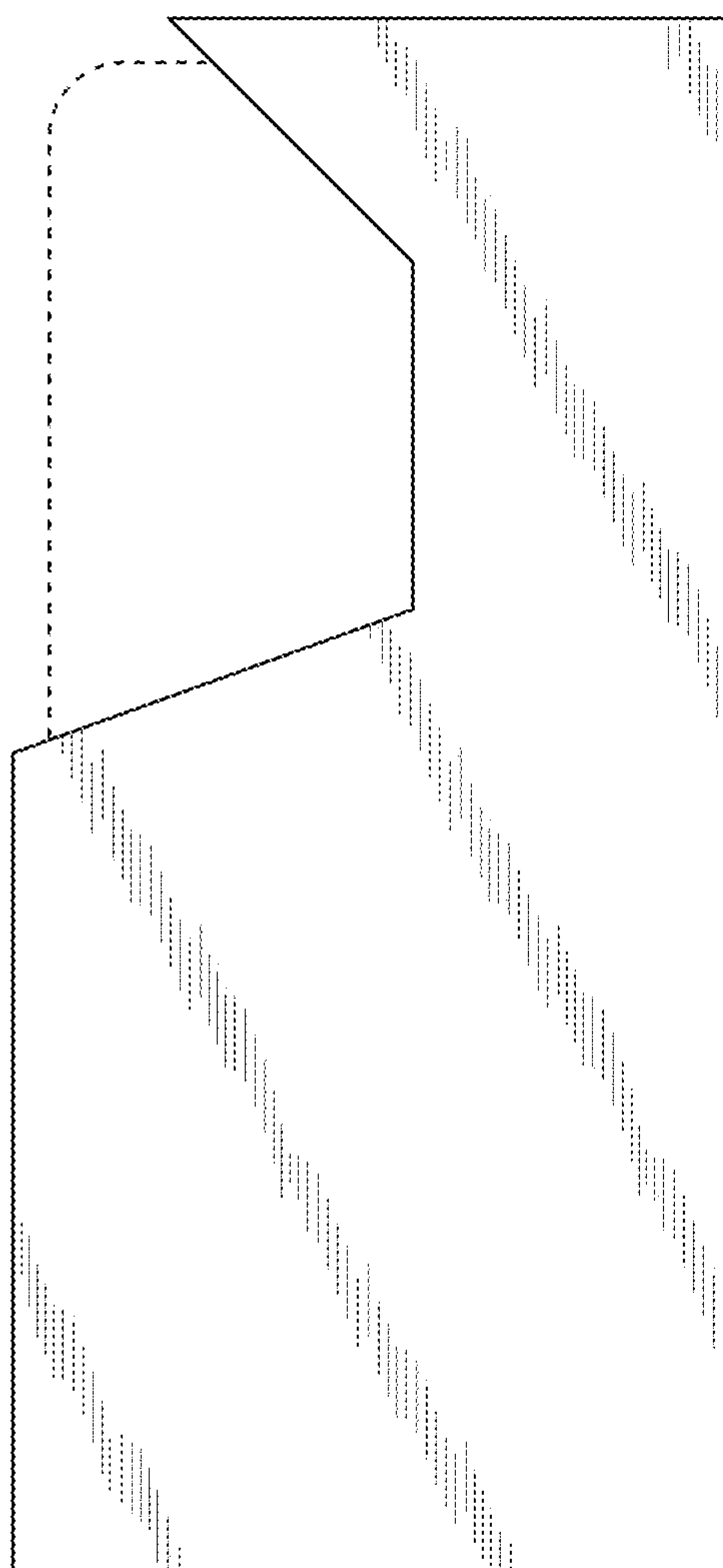


FIG. 3

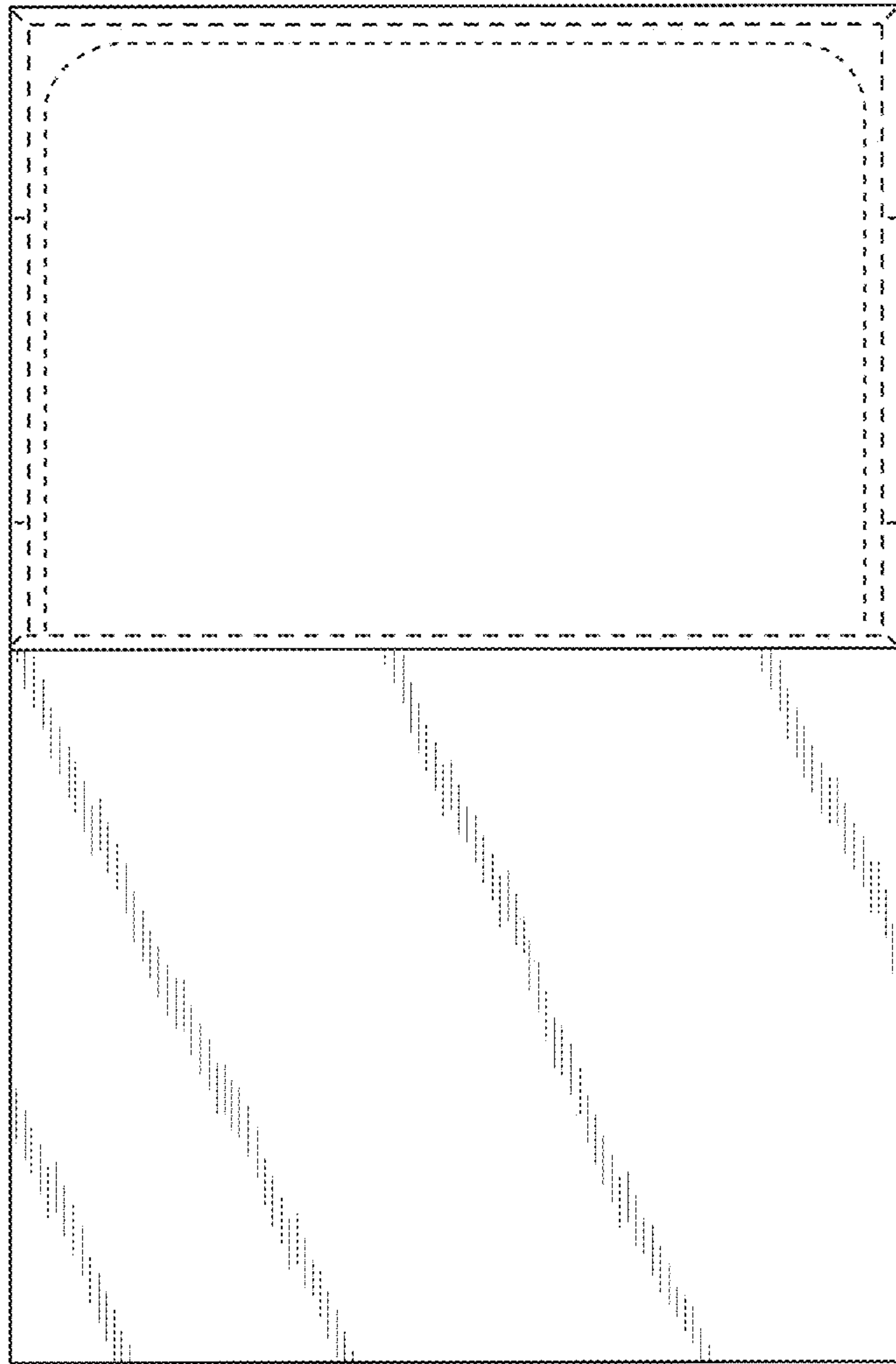


FIG. 4

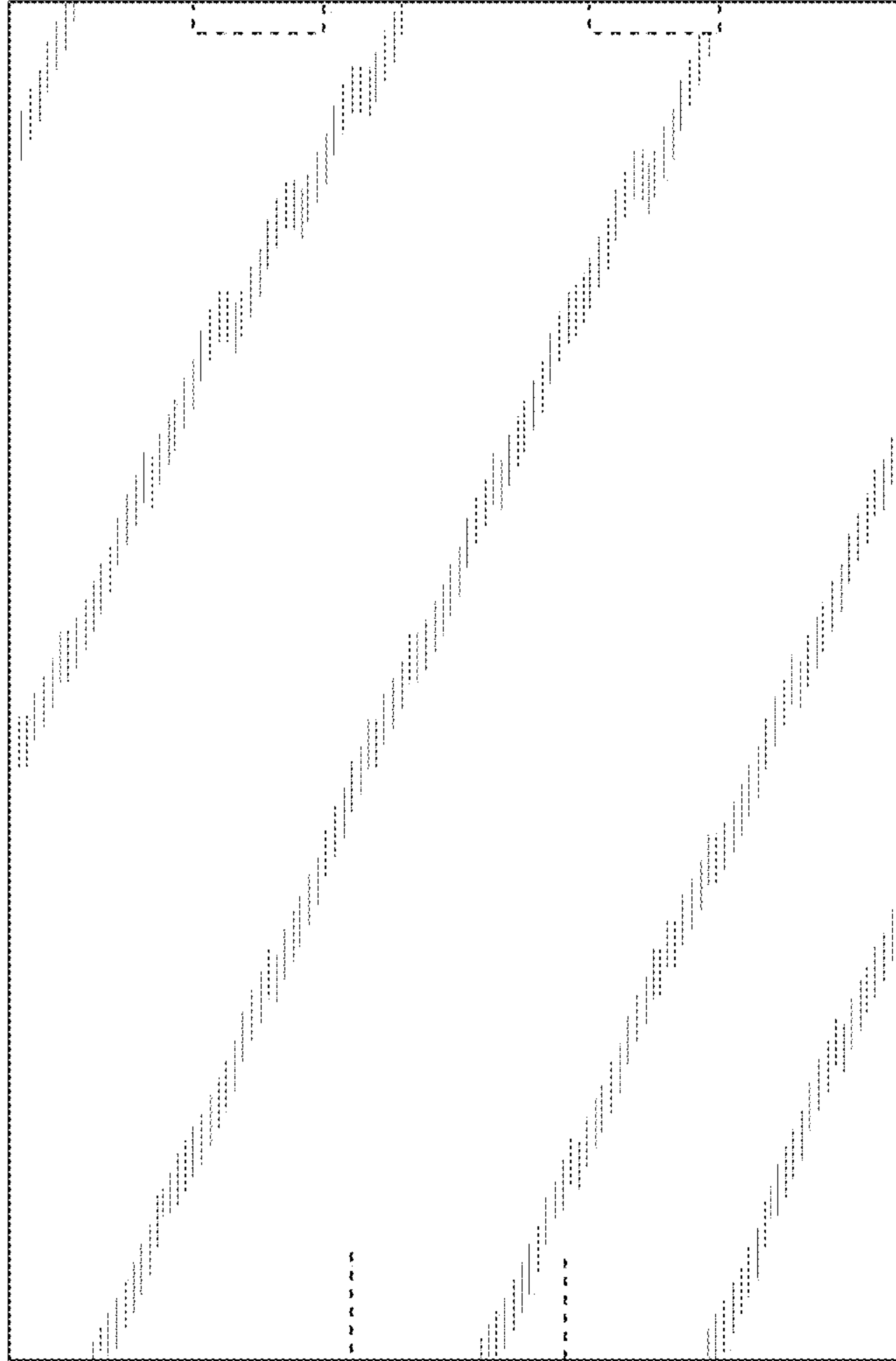


FIG. 5

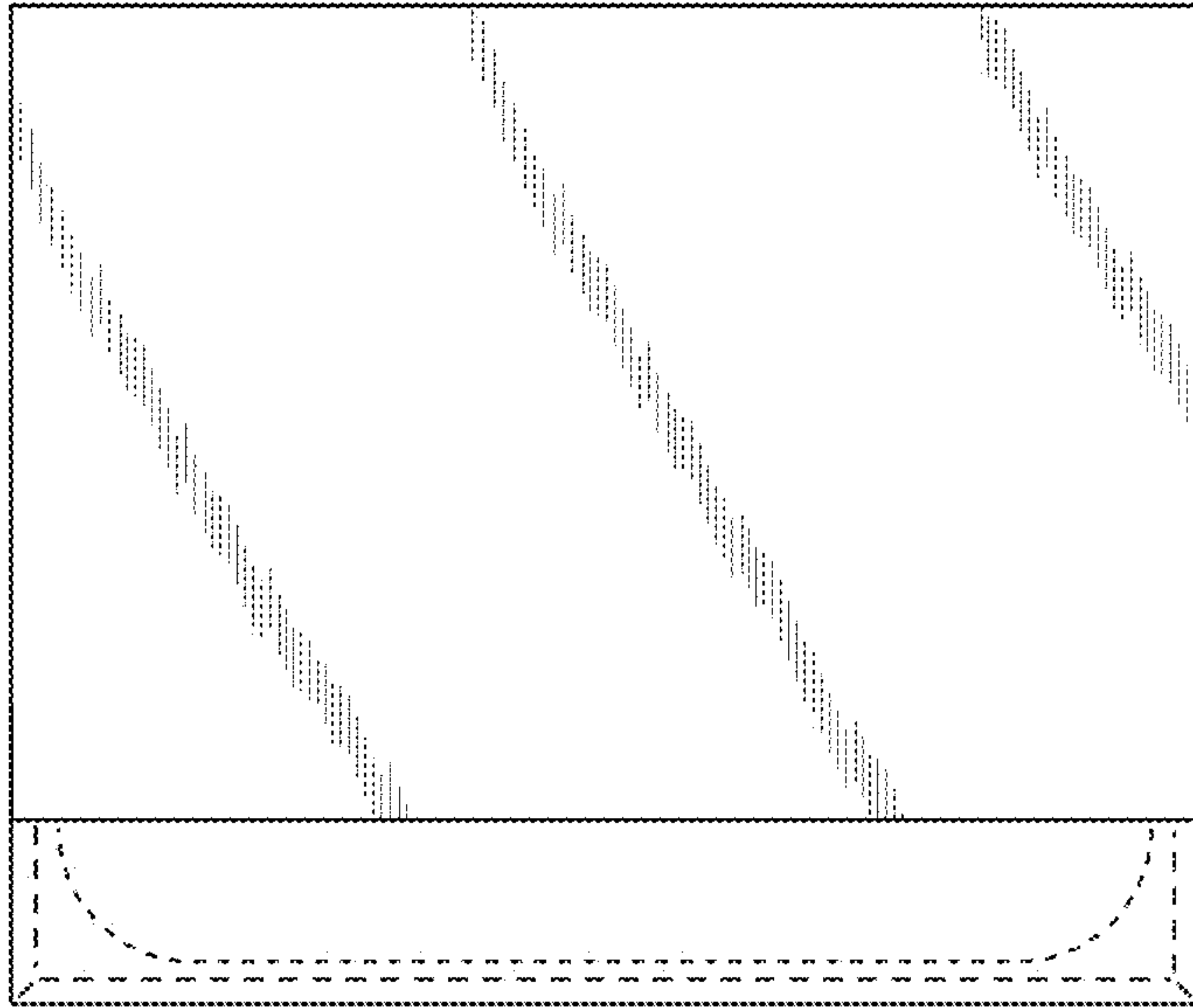


FIG. 6

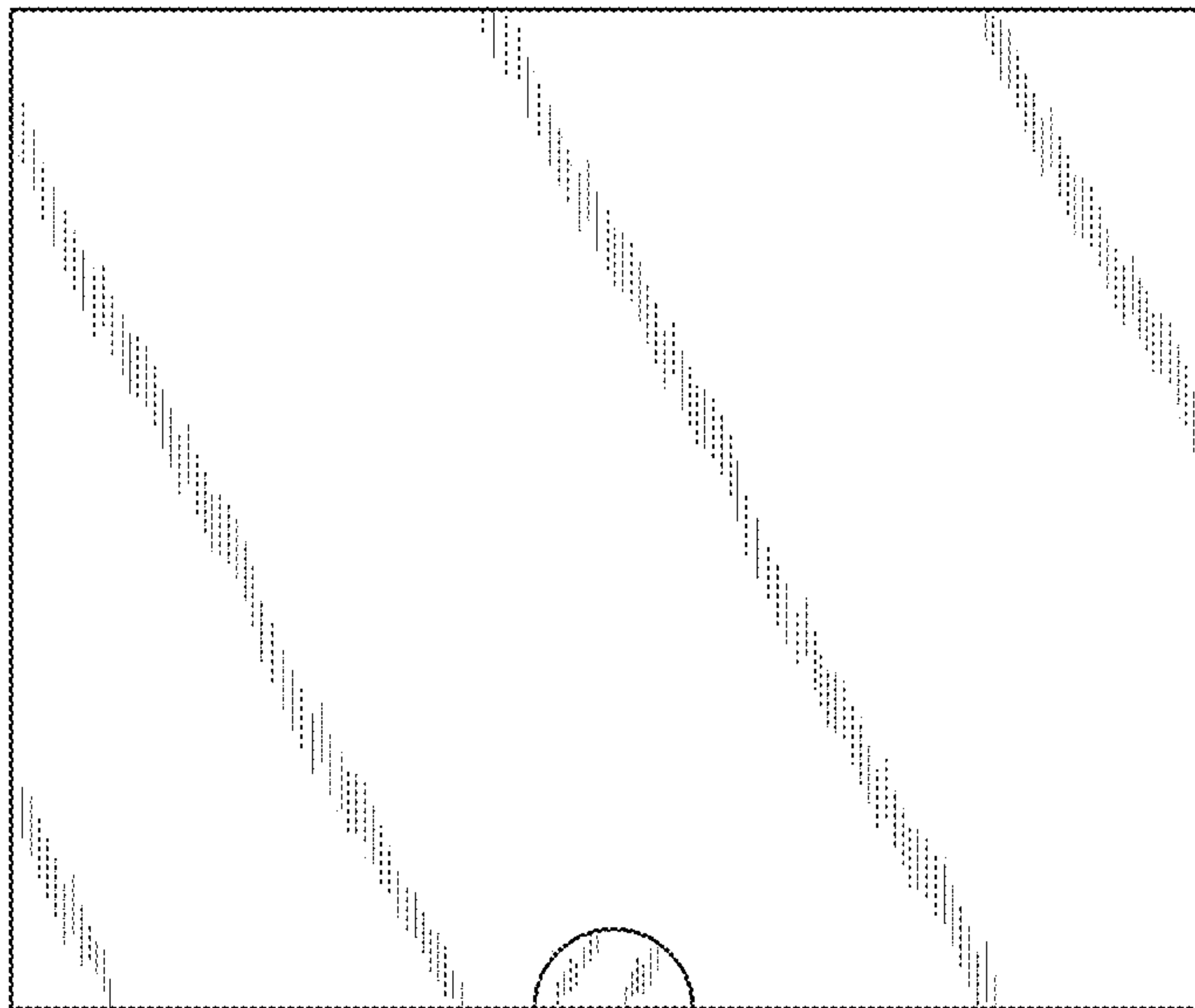


FIG. 7