



US00D924048S

(12) **United States Design Patent** (10) **Patent No.:** **US D924,048 S**
White et al. (45) **Date of Patent:** **** Jul. 6, 2021**

(54) **INSOLE PACKAGING**

(56) **References Cited**

(71) Applicant: **Scholl's Wellness Company LLC**,
Parsippany, NJ (US)

(72) Inventors: **Nicholas White**, Morris Plains, NJ
(US); **Eric Helmstetter**, Hackettstown,
NJ (US); **Mark Alfieri**, Morris Plains,
NJ (US)

(73) Assignee: **Scholl's Wellness Company LLC**,
Parsippany, NJ (US)

U.S. PATENT DOCUMENTS

D263,566	S	*	3/1982	Polito	D9/418
D274,407	S	*	6/1984	Rosenburg, Jr.	D9/418
D294,805	S	*	3/1988	Boyer	D9/415
D307,715	S	*	5/1990	Kindler	D9/415
D451,801	S	*	12/2001	Schillinger	D9/418
7,540,377	B1	*	6/2009	Krisher	B65D 73/0078 206/288
D693,213	S	*	11/2013	Lee	D9/415
D694,099	S	*	11/2013	Ensslen, III	D9/418
D877,608	S	*	3/2020	Nouhan, Jr.	D9/414
D877,610	S	*	3/2020	Martin	D9/415

(**) Term: **15 Years**

* cited by examiner

(21) Appl. No.: **29/719,574**

Primary Examiner — Susan Bennett Hattan

Assistant Examiner — Omeed Agilee

(22) Filed: **Jan. 6, 2020**

(74) *Attorney, Agent, or Firm* — Lowenstein Sandler LLP

(51) **LOC (13) Cl.** **09-03**

(57) **CLAIM**

(52) **U.S. Cl.**

The ornamental design of an insole packaging, as substantially shown and described.

USPC **D9/415; D9/432**

DESCRIPTION

(58) **Field of Classification Search**

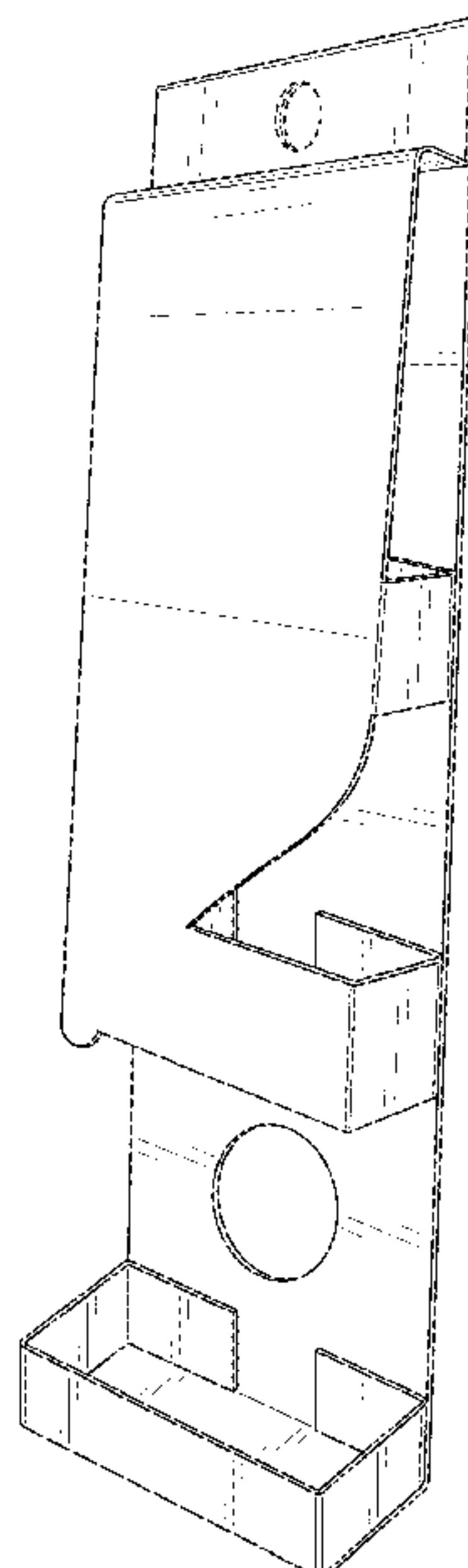
USPC D9/414–420, 421–433, 434, 442, 445,
D9/456, 542, 563, 600, 614–624, 707,
D9/708, 711, 754, 759, 732, 737, 756;
D3/273, 276, 304, 309–313; D7/601,
D7/602, 709

CPC B65D 5/00; B65D 5/001; B65D 5/0027;
B65D 5/0254; B65D 5/18; B65D 5/38;
B65D 5/40; B65D 5/2033; B65D
5/48024; B65D 5/6605; B65D 1/22;
B65D 1/24; B65D 1/34; B65D 73/0035;
B65D 73/0085; B65D 75/58; B65D
2543/00194; B65D 1/36; B65D 73/0078;
B65D 2543/00805; B65D 73/0042; B65D
75/225; B65B 5/06

FIG. 1 is a right side perspective view of an insole packaging in accordance with the present invention;
 FIG. 2 is a left side perspective view thereof;
 FIG. 3 is a front elevation view thereof;
 FIG. 4 is a rear elevation view thereof;
 FIG. 5 is a left side elevation view thereof;
 FIG. 6 is a right side elevation view thereof;
 FIG. 7 is a top plan view thereof;
 FIG. 8 is a bottom plan view thereof; and,
 FIG. 9 is the perspective view of FIG. 1 with an insole article packaged therein, the insole article shown in broken lines and forming no part of the claimed design.
 The portions of the insole packaging shown in broken lines form no part of the claimed design.

See application file for complete search history.

1 Claim, 7 Drawing Sheets



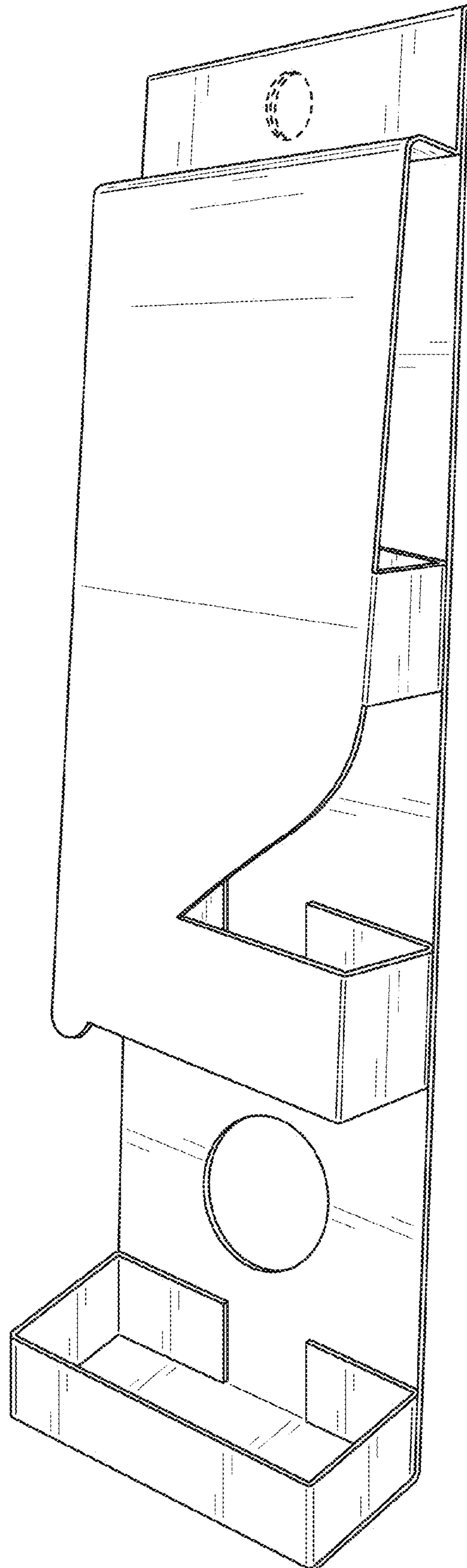


FIG. 1

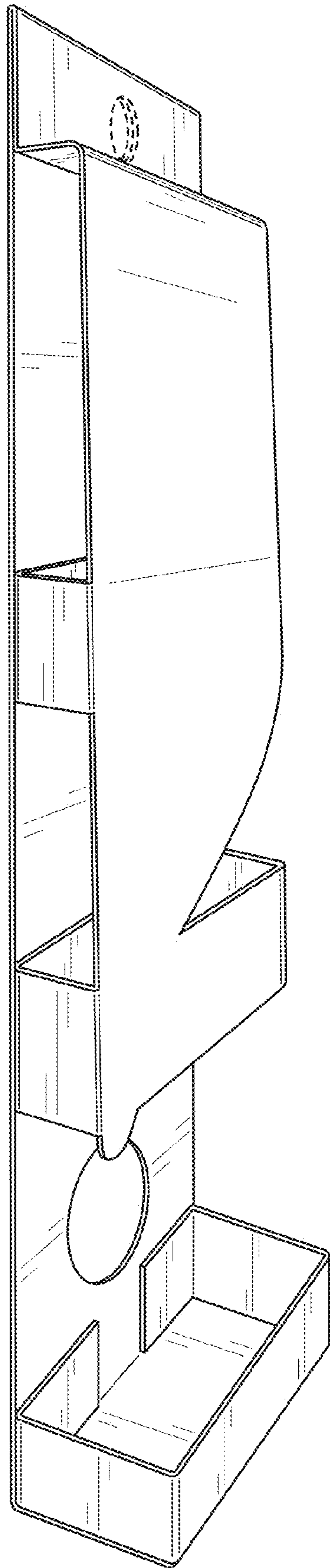


FIG. 2

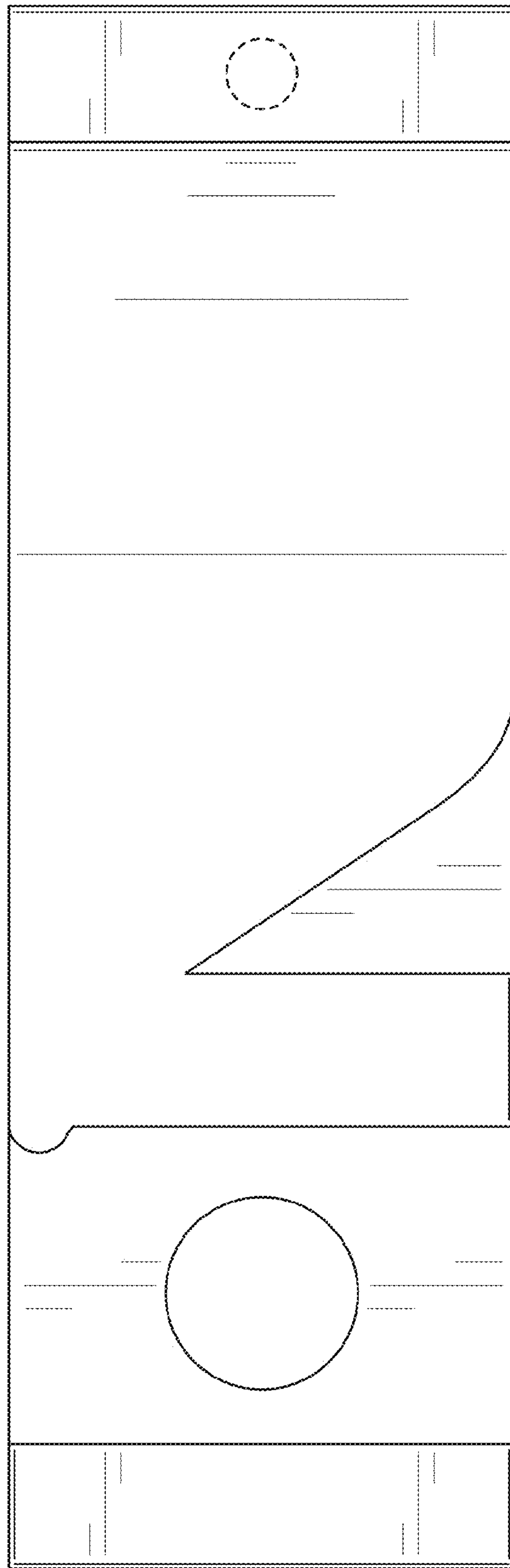


FIG. 3

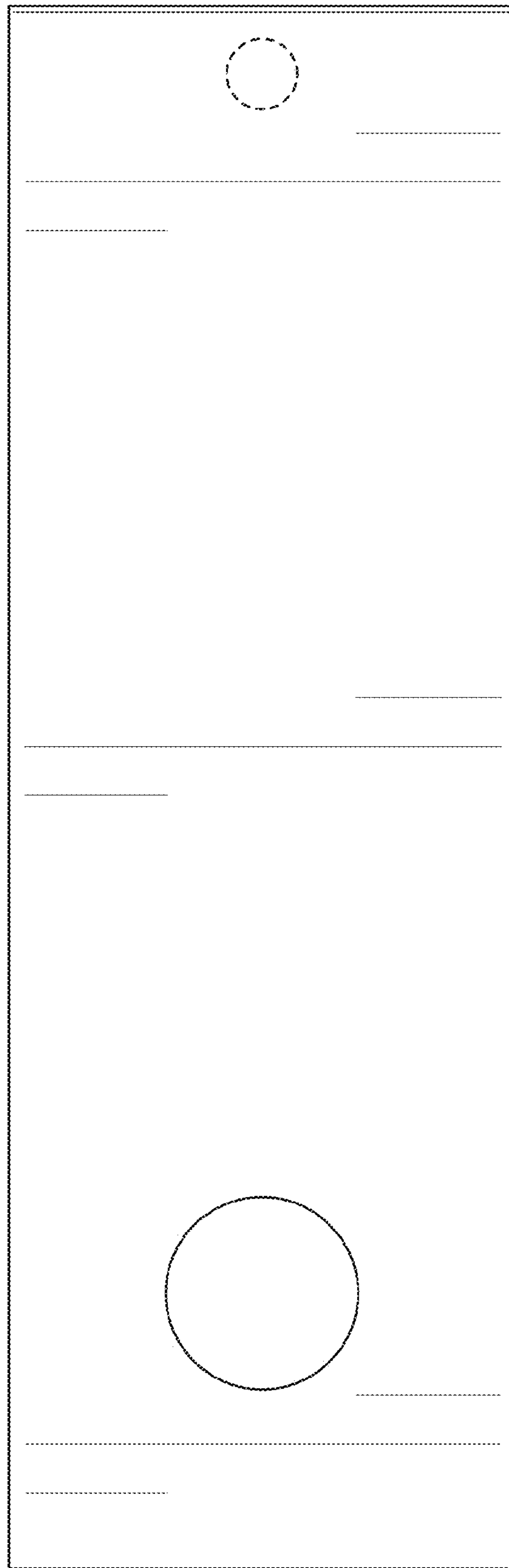


FIG. 4

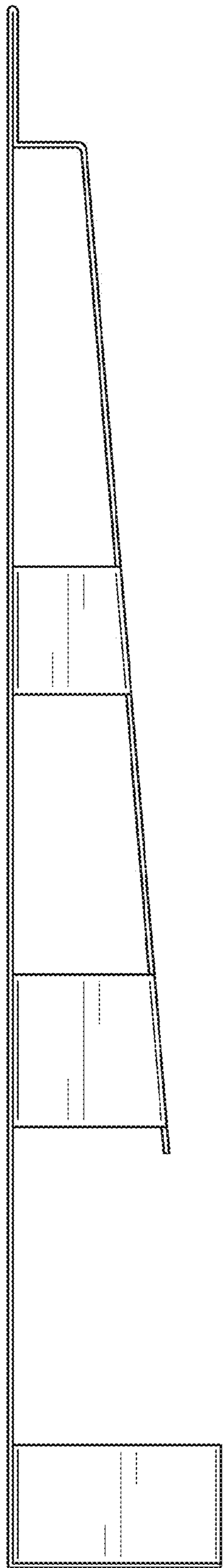


FIG. 5

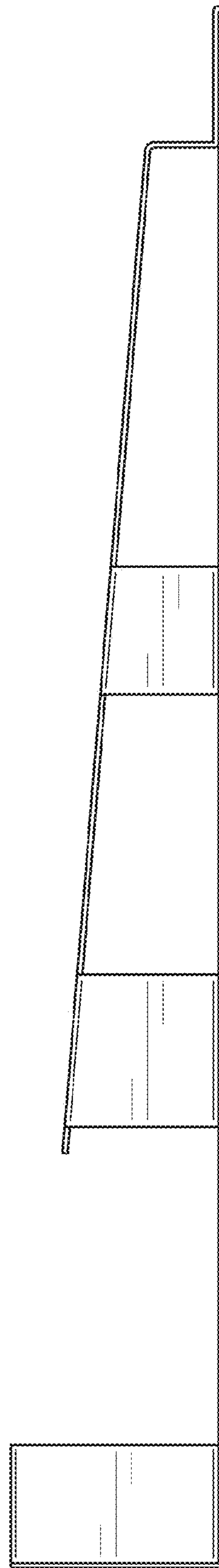


FIG. 6

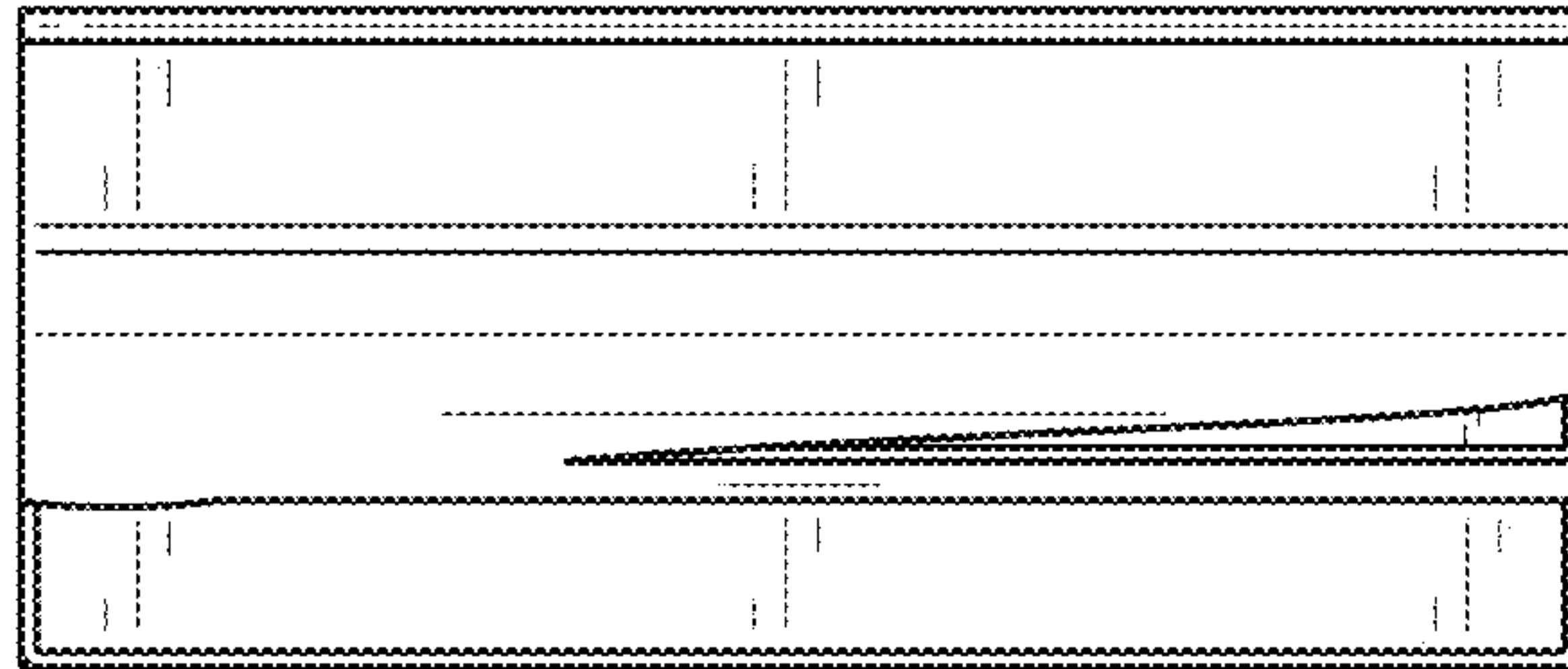


FIG. 7

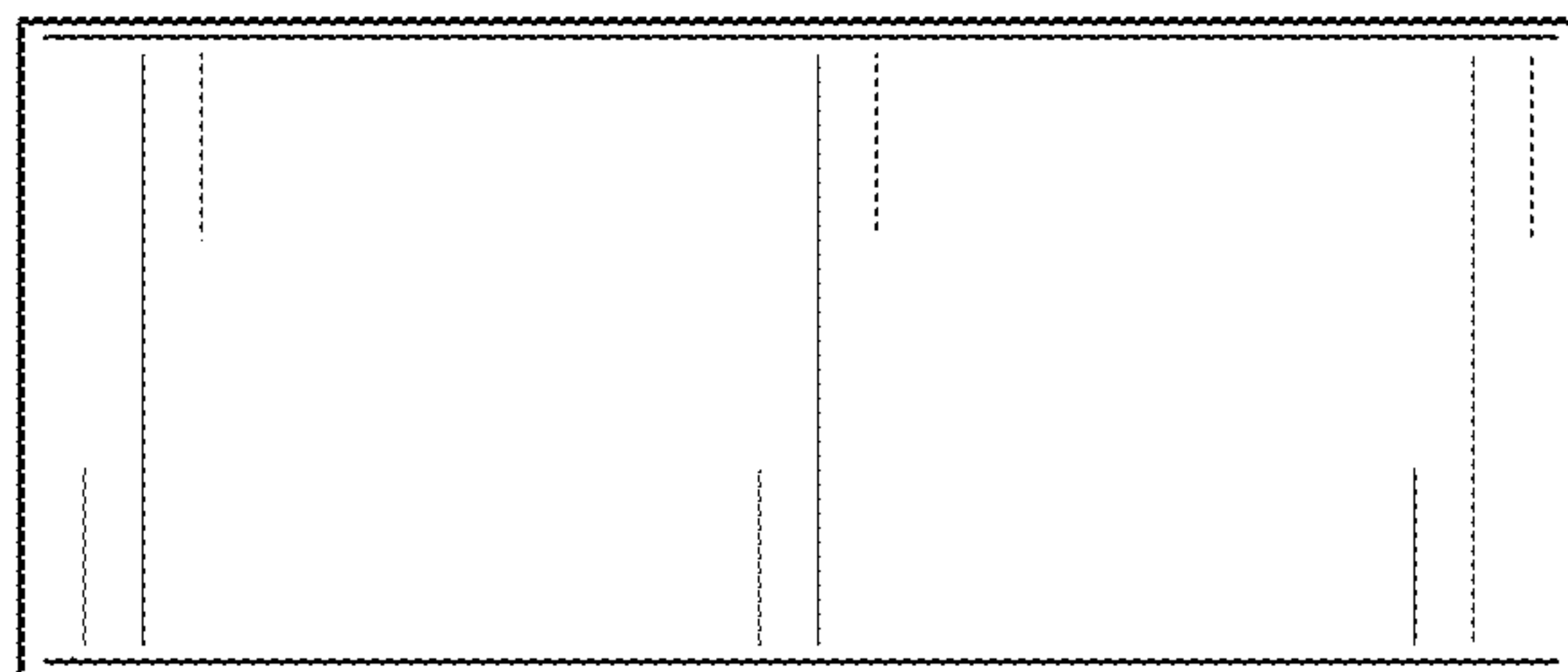


FIG. 8

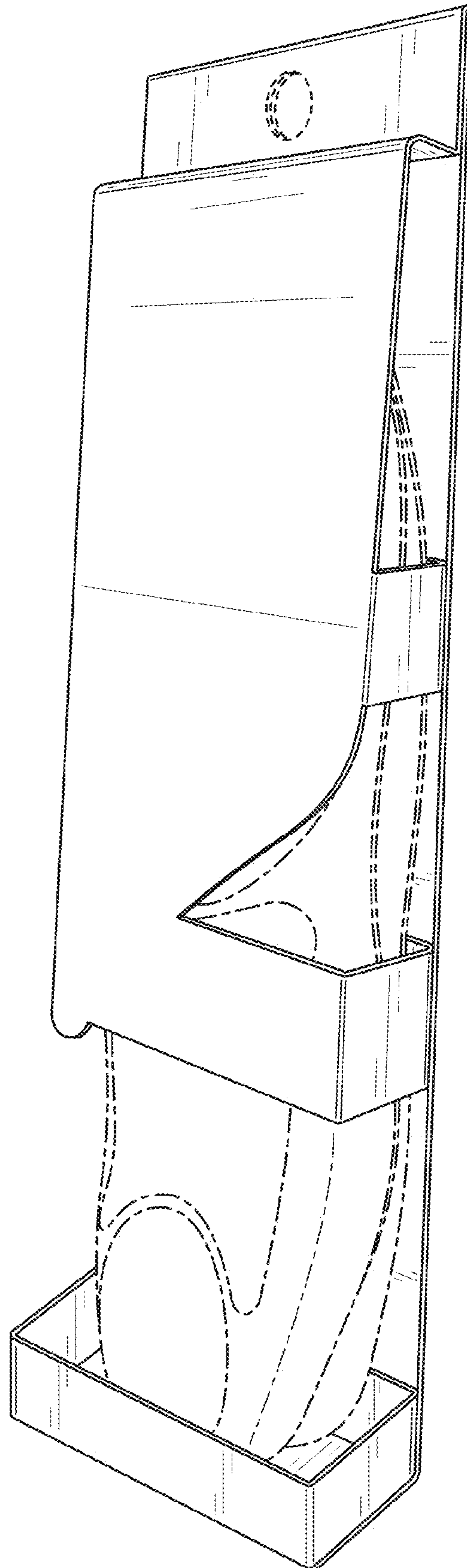


FIG. 9