



US00D924047S

(12) **United States Design Patent** (10) **Patent No.:** **US D924,047 S**  
**Woodward et al.** (45) **Date of Patent:** **\*\* Jul. 6, 2021**

- (54) **FENESTRATION HARDWARE**
- (71) Applicant: **Marvin Lumber and Cedar Company, LLC**, Eagan, MN (US)
- (72) Inventors: **Bradley D. Woodward**, Warroad, MN (US); **Ross Michael Hollermann**, Salol, MN (US)
- (73) Assignee: **Marvin Lumber and Cedar Company, LLC**, Eagan, MN (US)
- (\*\*) Term: **15 Years**
- (21) Appl. No.: **29/745,675**
- (22) Filed: **Aug. 7, 2020**

**Related U.S. Application Data**

- (63) Continuation of application No. 29/680,612, filed on Feb. 18, 2019, now Pat. No. Des. 895,413.
- (51) **LOC (13) Cl.** ..... **08-09**
- (52) **U.S. Cl.**  
USPC ..... **D8/400; D8/337**
- (58) **Field of Classification Search**  
USPC ..... D8/330, 331, 336, 337, 338, 341, 380, D8/373, 349, 300, 301, 400-499  
CPC ... E05B 17/0025; E05B 17/0004; E05B 17/00  
See application file for complete search history.

(56) **References Cited**

**U.S. PATENT DOCUMENTS**

- D211,452 S \* 6/1968 Petrell ..... D8/341
  - D316,509 S 4/1991 Nolte
  - D388,689 S 1/1998 Bauman et al.
  - D389,396 S \* 1/1998 Johnson ..... D8/337
- (Continued)

**OTHER PUBLICATIONS**

“U.S. Appl. No. 29/680,612, Notice of Allowance dated May 6, 2020”, 9 pgs.

*Primary Examiner* — Keli L Hill  
*Assistant Examiner* — Harold E Blackwell, II  
(74) *Attorney, Agent, or Firm* — Schwegman Lundberg & Woessner, P.A.

(57) **CLAIM**

The ornamental design for a fenestration hardware, as shown and described.

**DESCRIPTION**

FIG. 1 is a first perspective view of the fenestration hardware, installed in a fenestration assembly, showing the new design.

FIG. 2 is a second perspective view of the fenestration hardware of FIG. 1 in a locked configuration.

FIG. 3 is a front view of the fenestration hardware of FIG. 2.

FIG. 4 is a back view of the fenestration hardware of FIG. 2.

FIG. 5 is a top view of the fenestration hardware of FIG. 2.

FIG. 6 is a bottom view of the fenestration hardware of FIG. 2.

FIG. 7 is a first side view of the fenestration hardware of FIG. 2.

FIG. 8 is a second side view of the fenestration hardware of FIG. 2.

FIG. 9 is a third perspective view of the fenestration hardware of FIG. 1 in an intermediate configuration.

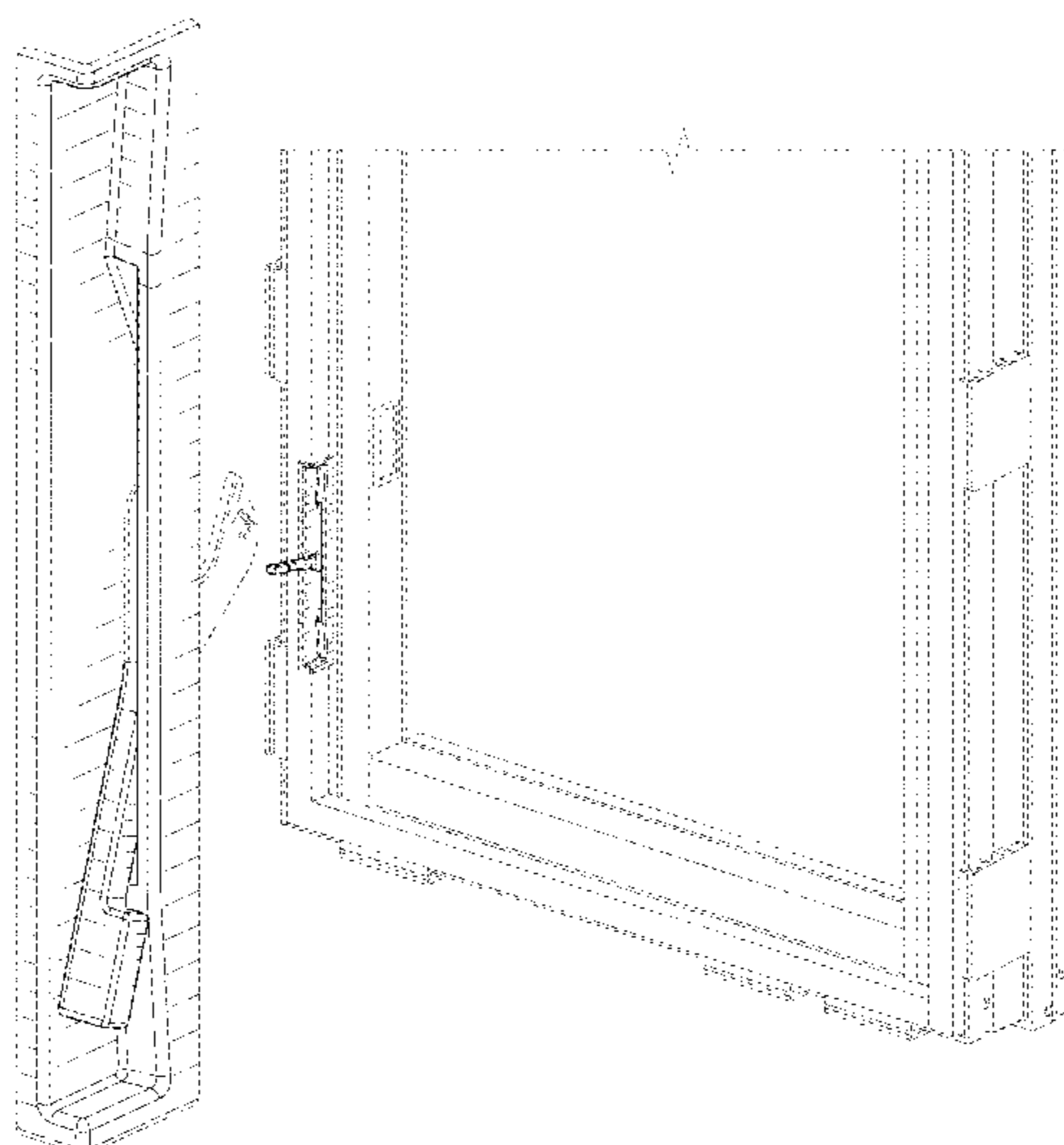
FIG. 10 is a fourth perspective view of the fenestration hardware of FIG. 1 in an unlocked configuration.

FIG. 11 is a sectional view of the fenestration hardware of FIG. 1; and,

FIG. 12 is a fourth perspective view of the fenestration hardware of FIG. 1.

The broken lines depict environmental subject matter only and form no part of the claimed design.

**1 Claim, 8 Drawing Sheets**



(56)

**References Cited**

U.S. PATENT DOCUMENTS

D390,445	S	*	2/1998	Johnson	.....	D8/337
5,778,602	A	*	7/1998	Johnson	.....	E05B 13/002
						49/449
5,839,767	A	*	11/1998	Piltingsrud	.....	E05B 17/2003
						292/336.3
D403,572	S		1/1999	Robinson		
D408,263	S		4/1999	Briggs		
D432,900	S	*	10/2000	Frey	.....	D8/331
D440,143	S		4/2001	Minter et al.		
6,354,639	B1	*	3/2002	Minter	.....	E05C 9/021
						292/142
6,425,611	B1		7/2002	Minter et al.		
6,450,554	B1		9/2002	Rotondi et al.		
D560,112	S		1/2008	Baczuk et al.		
7,441,811	B2		10/2008	Lawrence		
D620,347	S		7/2010	Siverhus et al.		
D621,255	S		8/2010	Siverhus et al.		
8,269,627	B2		9/2012	Gore et al.		
D687,288	S		8/2013	Lawrence		
8,533,997	B2		9/2013	Stoutenborough et al.		
9,109,384	B2		8/2015	Minter et al.		
10,228,266	B1		3/2019	Mcgruder et al.		
10,234,307	B1		3/2019	Mcgruder et al.		
D895,413	S		9/2020	Woodward et al.		
2007/0096476	A1		5/2007	Vetter		

\* cited by examiner

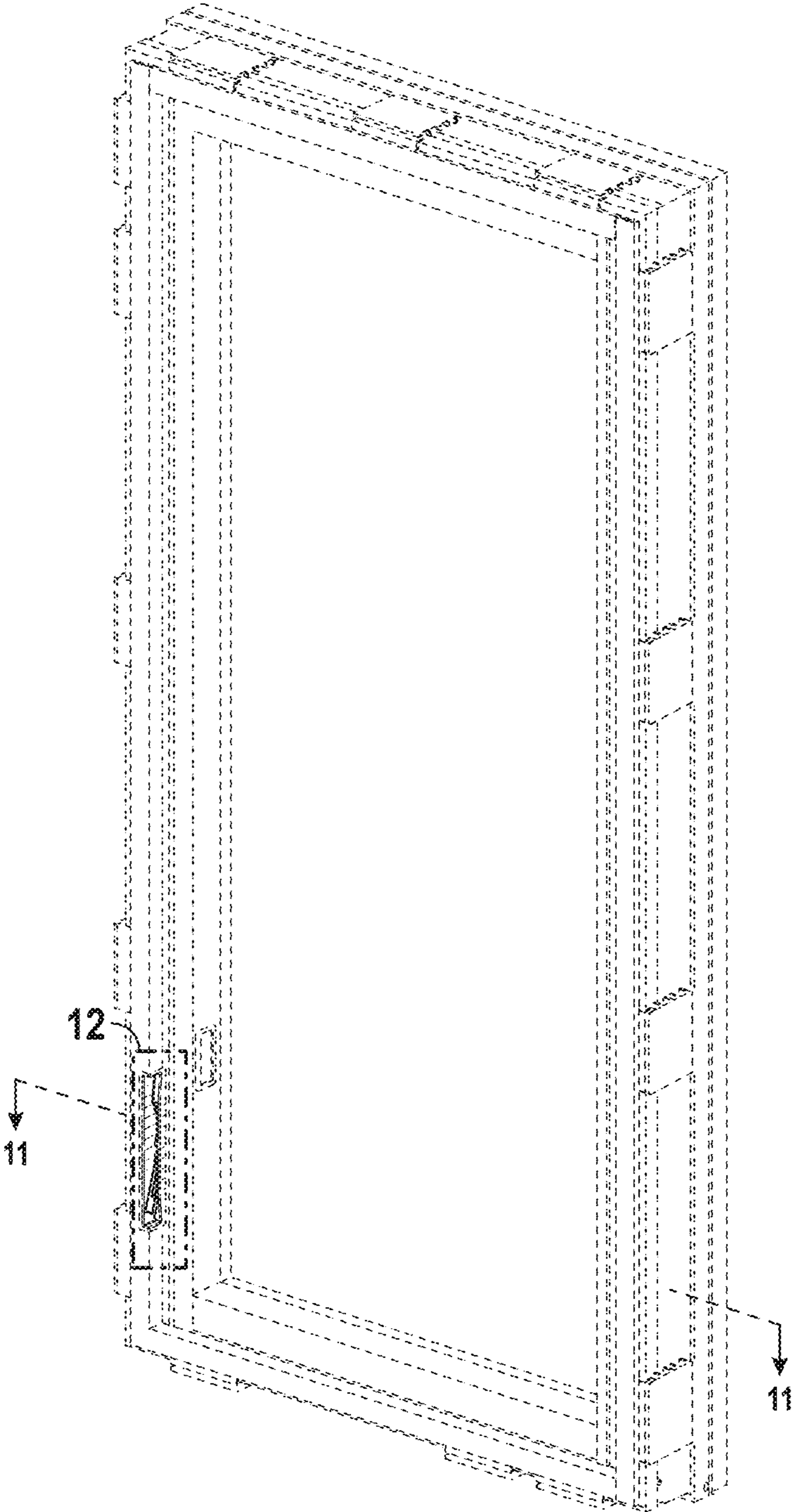


FIG. 1

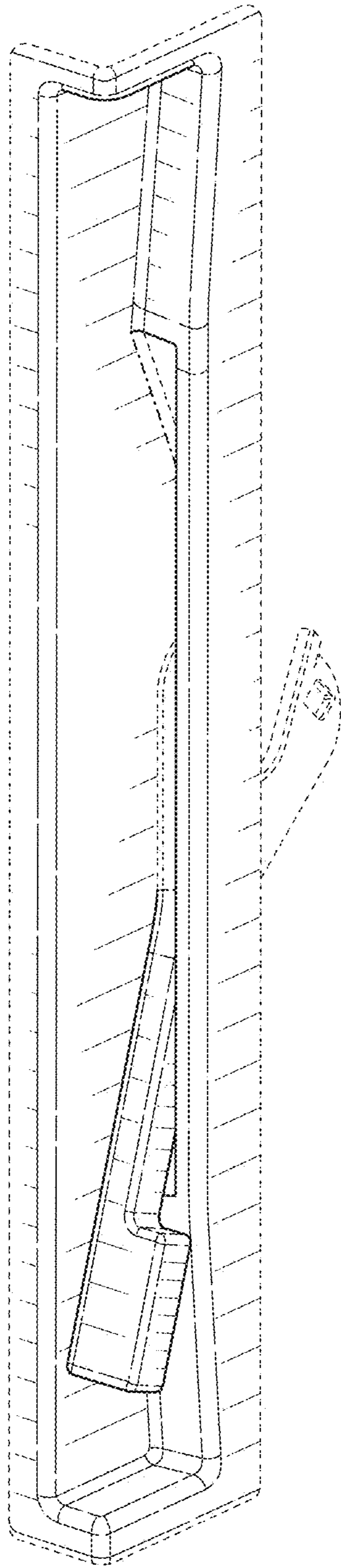


FIG. 2



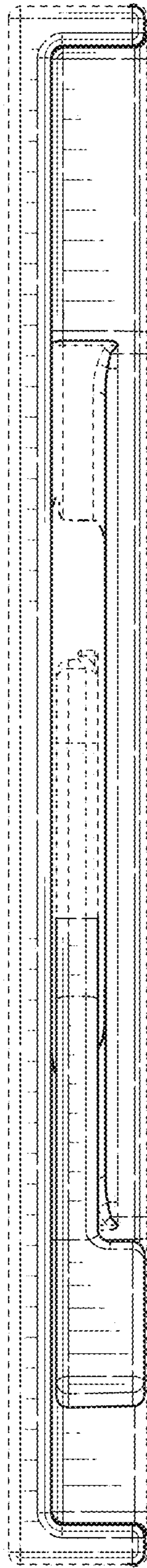


FIG. 3

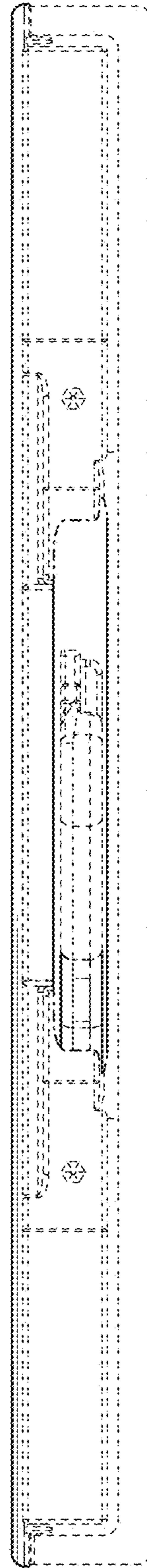


FIG. 4

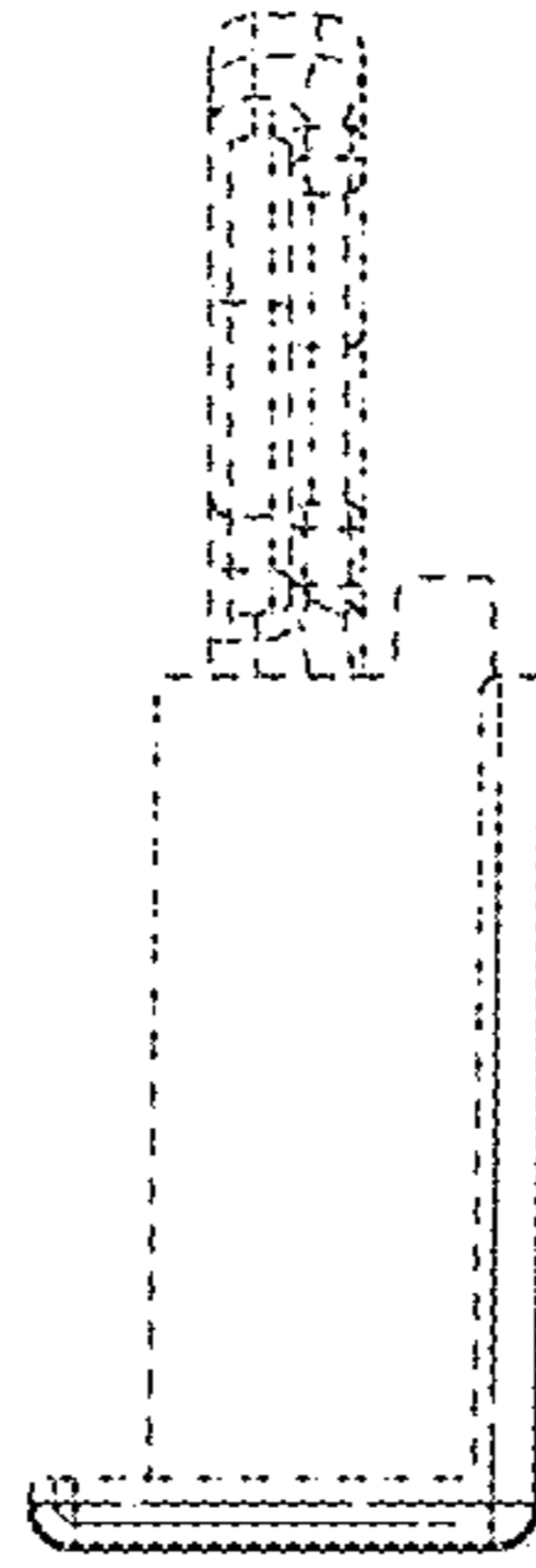


FIG. 5

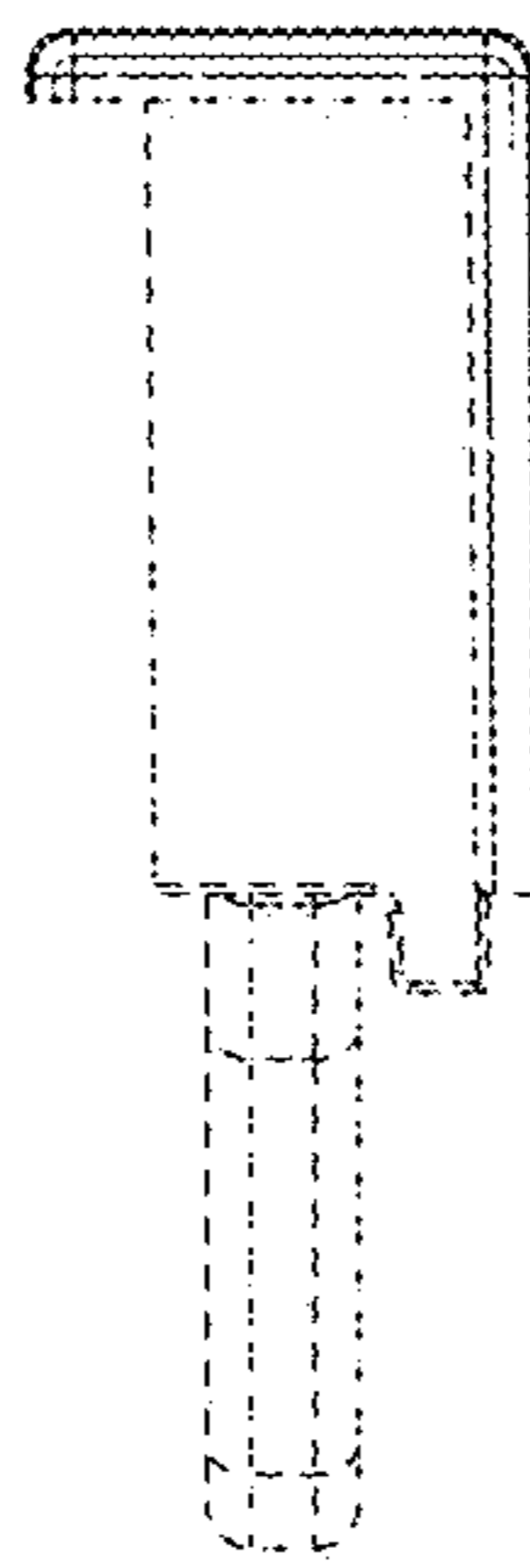


FIG. 6

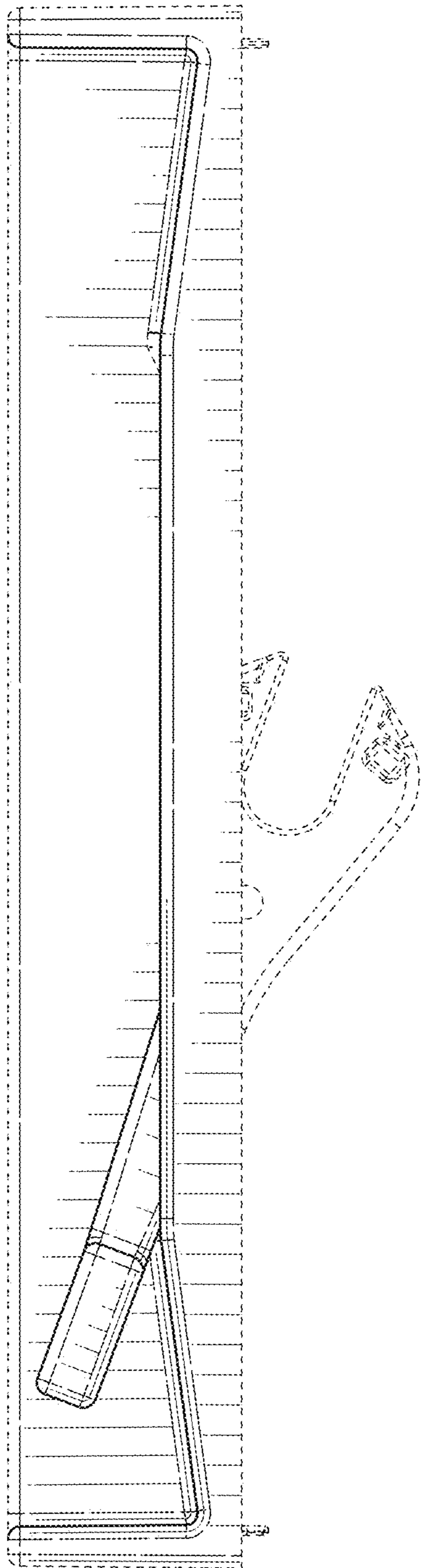


FIG. 7

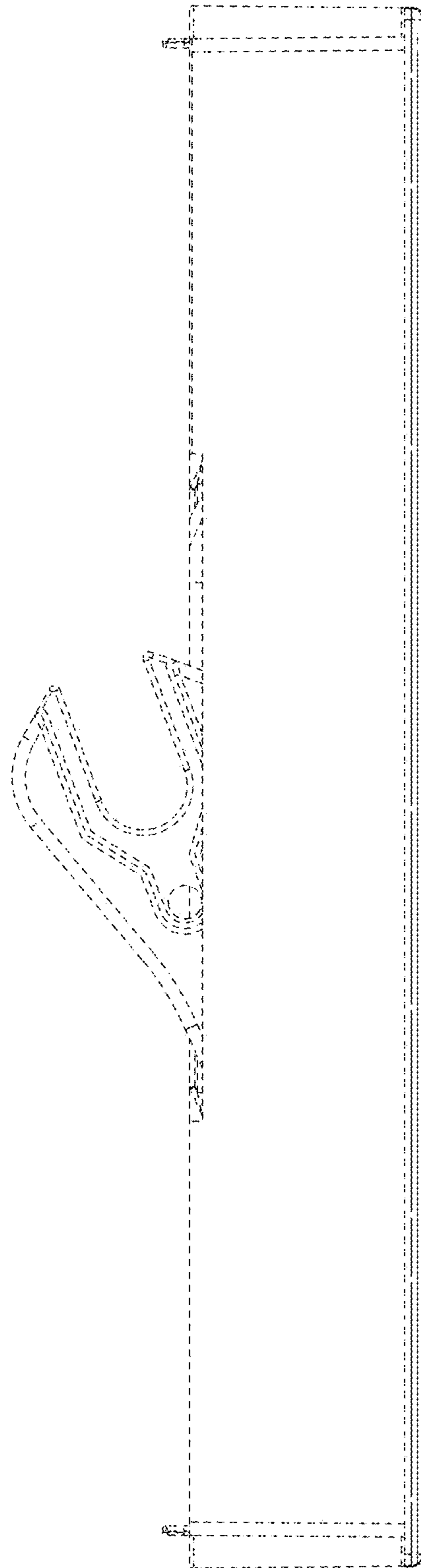


FIG. 8

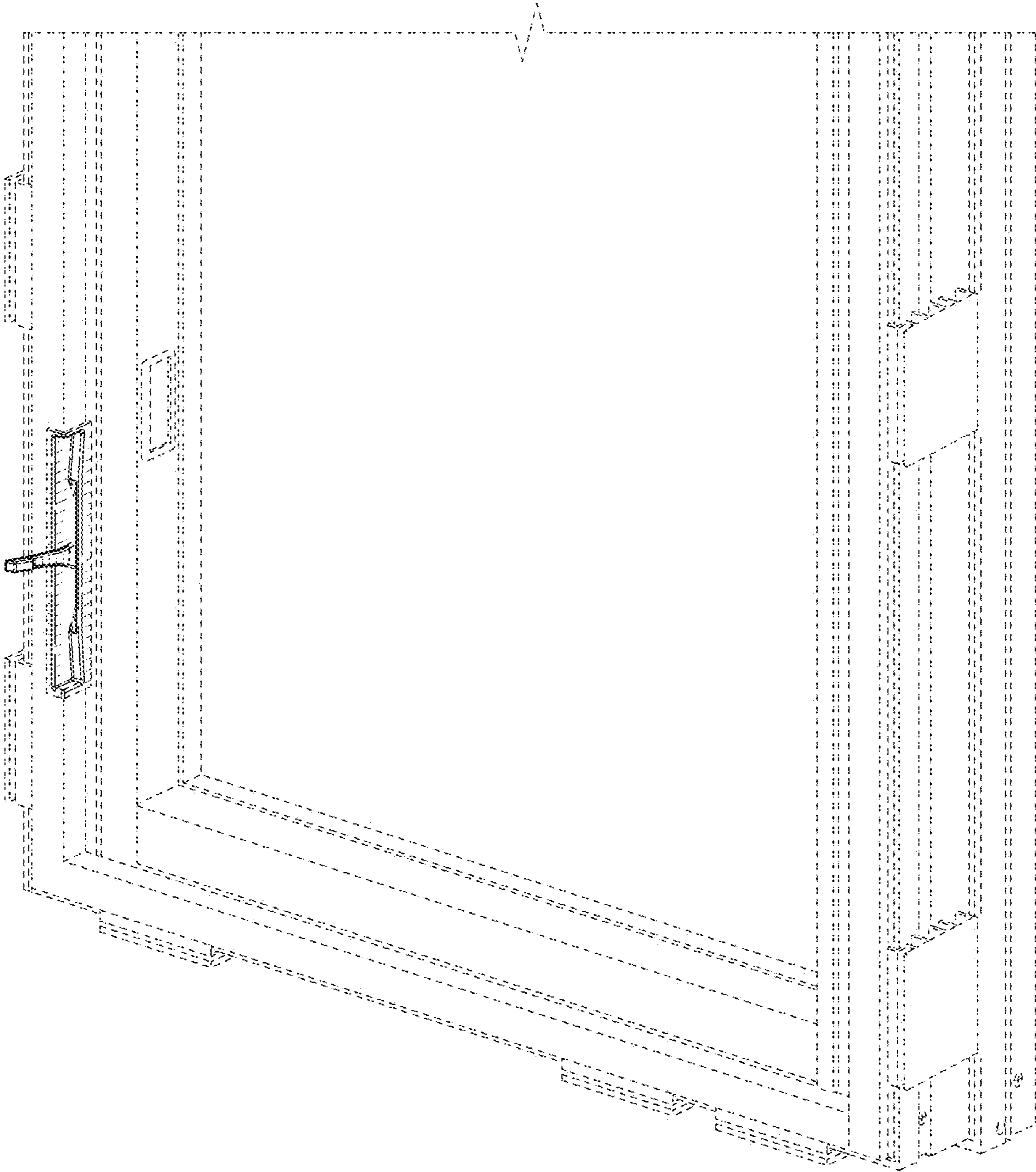


FIG. 9



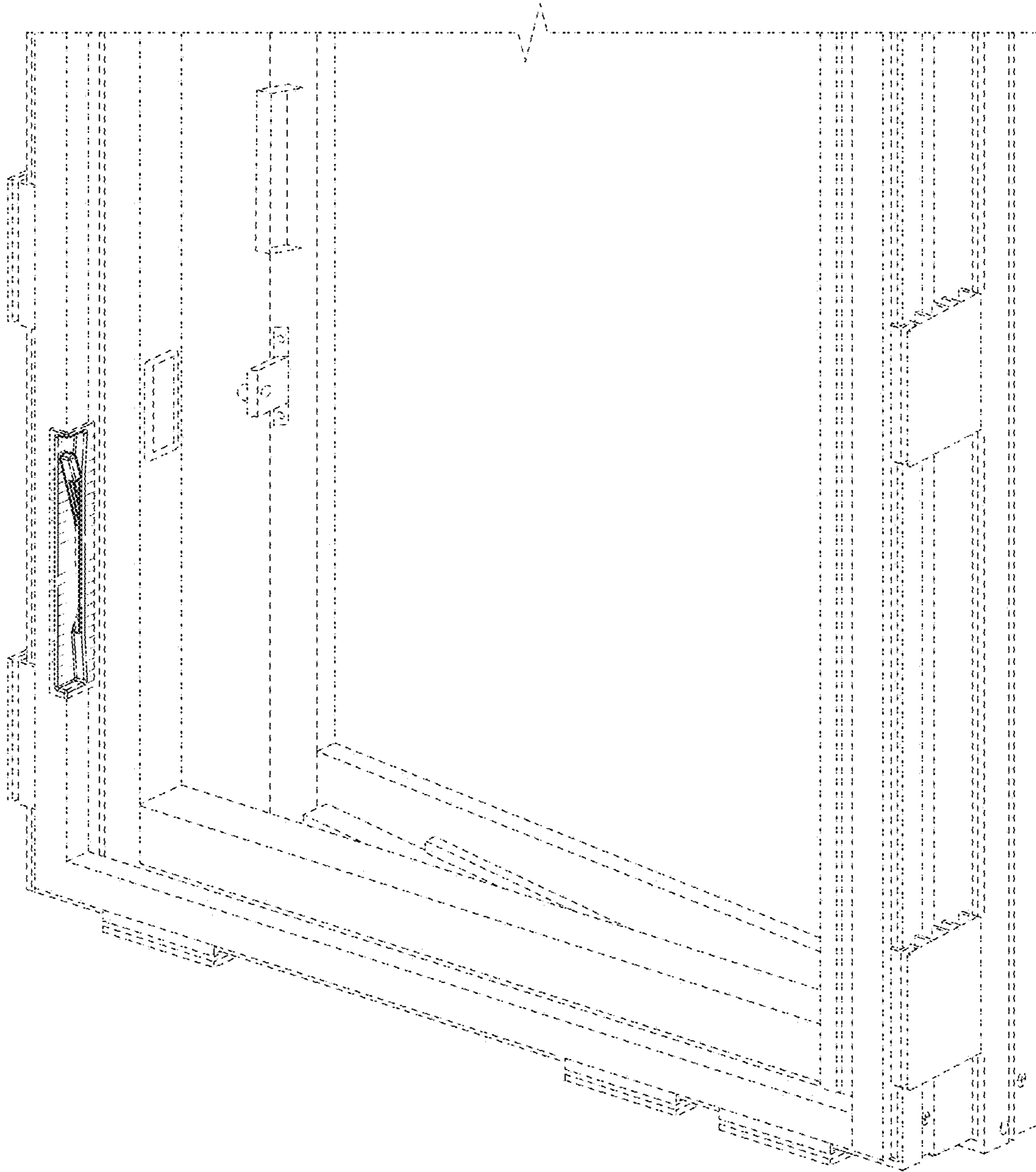


FIG. 10

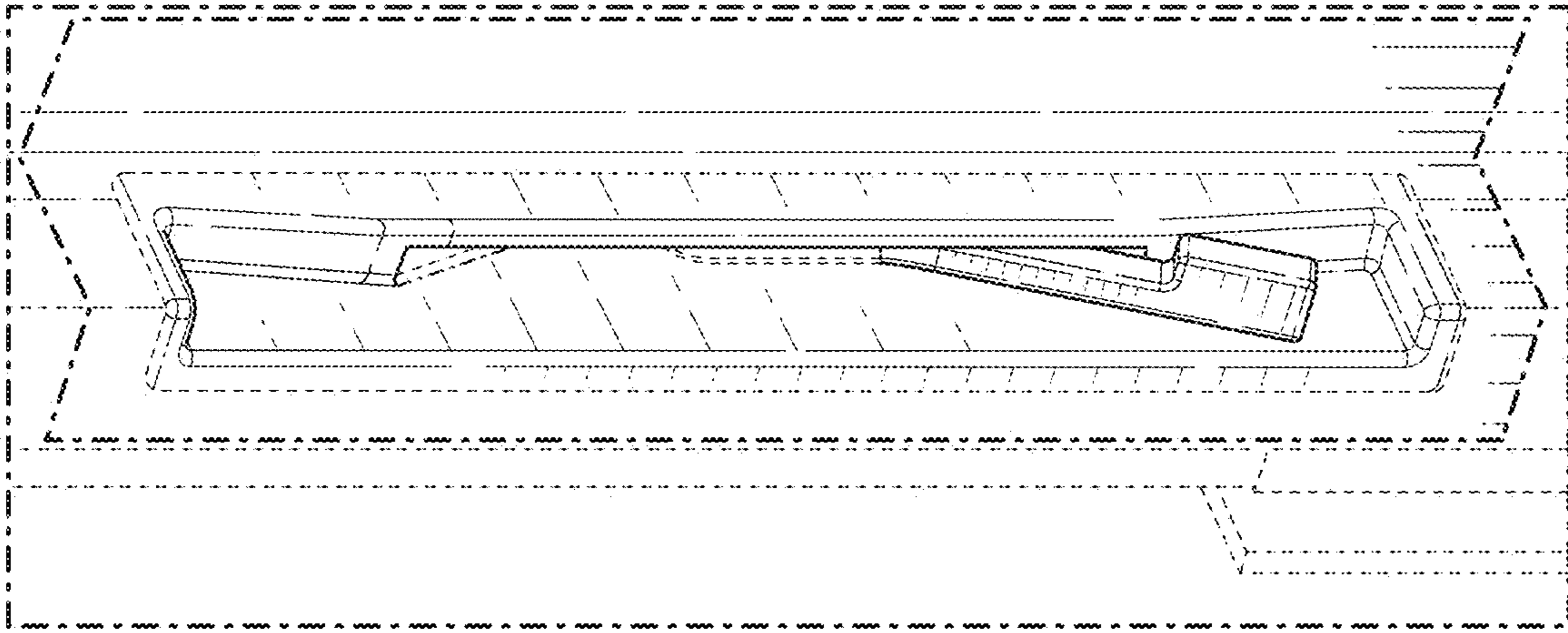


FIG. 12

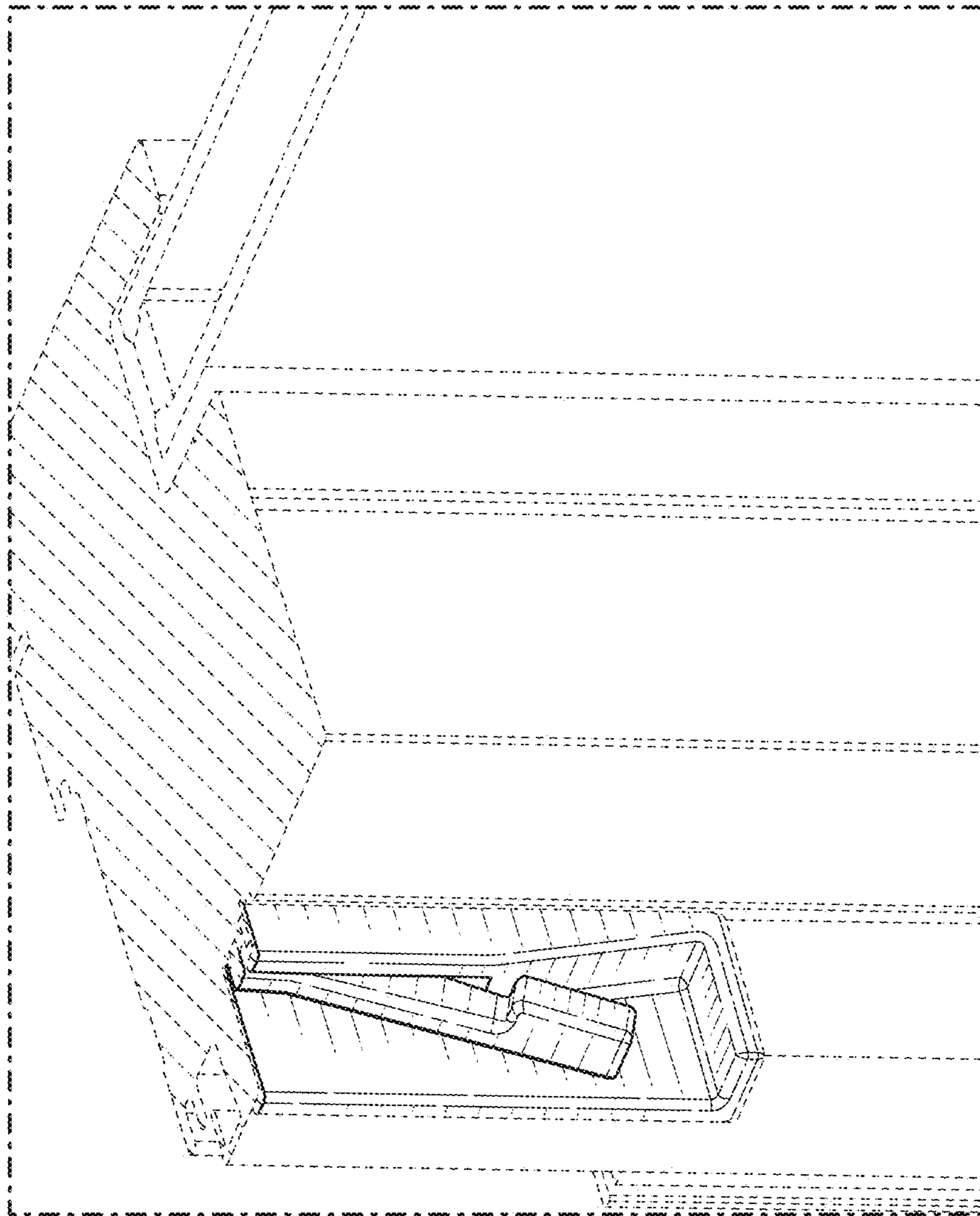


FIG. 11