



US00D924043S

(12) **United States Design Patent**  
**Scott**

(10) **Patent No.:** **US D924,043 S**  
(45) **Date of Patent:** **\*\* Jul. 6, 2021**

- (54) **AIRCRAFT WHEELCHAIR ACCOMMODATING SEAT ASSEMBLY**
- (71) Applicant: **MOLON LABE, LLC**, Lakewood, CO (US)
- (72) Inventor: **Frank Matthew Scott**, Breckenridge, CO (US)
- (73) Assignee: **Molon Labe, LLC**, Lakewood, CO (US)
- (\*\*) Term: **15 Years**
- (21) Appl. No.: **29/702,801**
- (22) Filed: **Aug. 22, 2019**
- (51) **LOC (13) Cl.** ..... **06-01**
- (52) **U.S. Cl.**  
USPC ..... **D8/356**
- (58) **Field of Classification Search**  
USPC ..... D6/336, 356, 368, 381; D21/521, 537  
(Continued)

(56) **References Cited**

**U.S. PATENT DOCUMENTS**

151,411 A 5/1874 Marshall  
 371,091 A 10/1887 Miller  
 (Continued)

**FOREIGN PATENT DOCUMENTS**

CN 102015358 A 4/2011  
 CN 102753436 A 10/2012  
 (Continued)

**OTHER PUBLICATIONS**

“New sliding jetliner seat designed to speed up boarding” Sep. 21, 2012, usatoday.com, site visited Sep. 15, 2020 <<https://www.usatoday.com/story/travel/flights/2012/09/21/new-sliding-jetliner-seat-designed-to-speed-up-boarding/1583087/>> (Year: 2012).\*

(Continued)

*Primary Examiner* — Kevin K Rudzinski  
*Assistant Examiner* — Paul D Bohannon  
 (74) *Attorney, Agent, or Firm* — James A. Sheridan;  
 Sheridan Law, LLC

(57) **CLAIM**

I claim the ornamental design for an aircraft wheelchair accommodating seat assembly, as shown and described.

**DESCRIPTION**

FIG. 1 is a perspective view of a row of four seats, with an aisle between pairs of adjacent seats, in which assembly of two seats, showing our new design, with this pair of seats providing an aircraft wheelchair accommodating seat assembly;

FIG. 2 is a perspective view of the aircraft wheelchair accommodating seat assembly of FIG. 1, with seating surfaces provided in a configuration for normal seating use thereon;

FIG. 3 is a perspective view of the aircraft wheelchair accommodating seat assembly of FIGS. 1 and 2, with the seating surfaces adjusted to a configuration for sliding the aisle seat over the adjacent seat;

FIG. 4 is a perspective view of the aircraft wheelchair accommodating seat assembly of FIGS. 1, 2, and 3, with the seats of the aircraft wheelchair accommodating seat assembly disposed in a narrowed configuration, with one seat providing a seating surface for seating thereon together with an open floor area between the aircraft wheelchair accommodating seat assembly and the aisle;

FIG. 5 is a perspective view of the aircraft wheelchair accommodating seat assembly in the narrowed configuration together with a wheelchair device shown in phantom lines;

FIG. 6 is a front elevational view thereof;

FIG. 7 is a rear elevational view thereof;

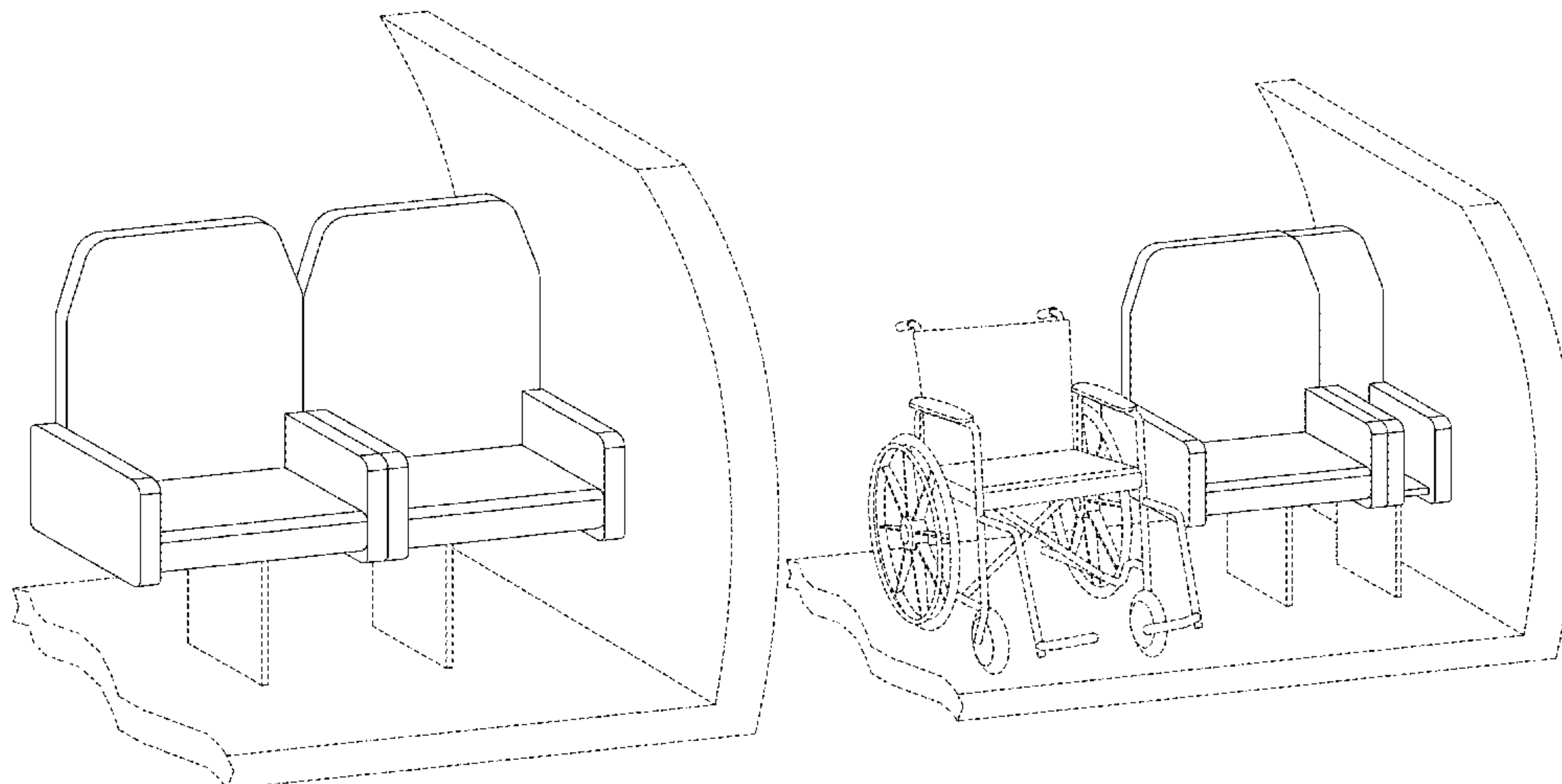
FIG. 8 is a top plan view thereof;

FIG. 9 is a right side elevational view thereof; and,

FIG. 10 is a left side elevational view thereof.

The broken lines shown in the drawings are for the purpose of illustrating environmental subject matter and form no part of the claimed design.

**1 Claim, 10 Drawing Sheets**





(58) **Field of Classification Search**

CPC ..... A47C 1/126; A47C 4/04; A47C 7/021;  
 A47C 7/54; A47C 7/425; A47C 9/00;  
 A47C 11/00; A47C 15/00; A47B 83/02;  
 B60N 2/01; B60N 3/004; B60R 16/0207;  
 H01R 25/16; B64D 11/0624; B64D  
 11/0015; B64D 11/06; B64D 11/0638;  
 B64D 11/00152; B64D 11/0606; B64D  
 11/0604; B64D 11/0605; B64D 11/0636;  
 B64D 11/0641; B64D 11/0601; B64D  
 11/0693; B64D 11/0639; B64D 13/00

See application file for complete search history.

(56) **References Cited**

U.S. PATENT DOCUMENTS

972,393 A 10/1910 Moore  
 1,643,236 A 9/1927 Bell  
 1,714,645 A 5/1929 Taggart  
 2,026,016 A 12/1935 Blood  
 2,116,366 A 5/1938 Scott  
 2,523,960 A 9/1950 Liljengren et al.  
 2,696,246 A 12/1954 Putnam  
 D180,781 S \* 8/1957 Hamilton et al. .... D6/356  
 D180,972 S 9/1957 Umanoff  
 D180,975 S 9/1957 Umanoff  
 3,050,333 A 8/1962 Smith  
 3,572,615 A 3/1971 Firestone  
 3,638,997 A 2/1972 Shapiro et al.  
 3,887,230 A 6/1975 Groning et al.  
 3,893,729 A 7/1975 Sherman et al.  
 4,113,311 A 9/1978 Reida  
 D268,880 S \* 5/1983 Palmgren ..... D6/356  
 D268,973 S 5/1983 White  
 4,382,628 A 5/1983 Palmgren  
 D274,138 S 6/1984 Grussner  
 4,657,302 A \* 4/1987 Snyder ..... A47C 1/124  
 108/64  
 D296,094 S 6/1988 Sheek  
 4,881,702 A 11/1989 Slettebak  
 4,925,241 A \* 5/1990 Geraci ..... A47C 7/021  
 297/183.5  
 4,936,620 A 6/1990 Francois et al.  
 5,104,065 A 4/1992 Daharsh et al.  
 5,131,607 A 7/1992 Arnold  
 5,178,345 A 1/1993 Peltola  
 D338,791 S 8/1993 Cohen  
 5,284,379 A 2/1994 Arnold et al.  
 5,342,111 A 8/1994 Charles  
 D356,641 S 3/1995 Stewart  
 5,456,518 A \* 10/1995 Kempainen ..... A47C 1/126  
 297/232  
 5,509,722 A 4/1996 Beroth  
 5,527,093 A 6/1996 Park  
 5,558,309 A 9/1996 Marechal  
 D376,060 S 12/1996 Cohen  
 5,584,532 A 12/1996 Marechal  
 5,597,139 A 1/1997 Beroth  
 5,660,434 A 8/1997 Nicksic  
 5,660,436 A 8/1997 Wilson  
 5,673,973 A 10/1997 Marechal  
 5,727,845 A 3/1998 Jackson-Wynch  
 5,829,836 A 11/1998 Schumacher  
 6,155,519 A 12/2000 Rajasingham  
 6,176,547 B1 \* 1/2001 Fran.cedilla.ois ..... B60N 2/062  
 297/257  
 D439,428 S \* 3/2001 Mizuno ..... D6/368  
 6,554,364 B1 4/2003 Dammermann et al.  
 6,644,441 B1 11/2003 Ebrahimi  
 D483,194 S \* 12/2003 Plant ..... D6/368  
 6,820,932 B2 \* 11/2004 Misthos ..... A47C 9/00  
 297/1  
 6,824,213 B2 11/2004 Skelly  
 D505,276 S \* 5/2005 Cronk ..... D6/334  
 D520,765 S \* 5/2006 Piano ..... D6/368

7,070,149 B2 7/2006 McDonnell  
 D532,985 S \* 12/2006 Mitjans ..... D6/368  
 7,207,523 B2 \* 4/2007 Callahan ..... B60R 16/0207  
 174/10  
 D543,737 S 6/2007 Held  
 D547,981 S 8/2007 Cohen  
 7,252,569 B2 8/2007 Everhart et al.  
 D557,949 S 12/2007 Moorhouse  
 7,410,127 B1 8/2008 Ahad  
 D577,499 S 9/2008 Tsay  
 7,448,575 B2 11/2008 Cheung et al.  
 7,578,551 B2 8/2009 Linero  
 D605,863 S 12/2009 Aruga  
 7,828,390 B2 11/2010 Liu  
 7,959,231 B2 6/2011 Lee  
 8,002,357 B2 8/2011 Cebula  
 D645,681 S 9/2011 Grell  
 8,091,961 B2 1/2012 Dryburgh  
 8,118,359 B2 2/2012 Kyogoku et al.  
 8,162,396 B2 4/2012 Edwards  
 8,172,321 B2 5/2012 Hankinson et al.  
 8,182,014 B2 5/2012 Mabuchi et al.  
 D665,588 S 8/2012 Wada  
 8,251,427 B2 8/2012 Lindsay  
 8,393,677 B2 3/2013 Wieclawski  
 8,393,680 B2 3/2013 Zimmermann et al.  
 8,419,135 B2 4/2013 Moeseneder et al.  
 D686,422 S 7/2013 Robinson  
 8,506,015 B2 8/2013 Le et al.  
 D693,617 S 11/2013 Koski  
 8,616,631 B2 12/2013 Westerink et al.  
 8,678,311 B2 3/2014 Cheung et al.  
 8,708,410 B2 4/2014 Scott  
 8,763,954 B2 7/2014 Rajasingham  
 8,864,071 B2 10/2014 Vergaud et al.  
 8,888,160 B2 11/2014 Woodhouse et al.  
 8,931,846 B2 1/2015 Merensky  
 8,950,796 B2 2/2015 Woodhouse et al.  
 D723,822 S 3/2015 Cai  
 D724,338 S 3/2015 Nicholas  
 D724,339 S 3/2015 Cai  
 8,973,966 B2 3/2015 Woodhouse et al.  
 8,998,139 B2 4/2015 Dryburgh et al.  
 9,060,614 B1 6/2015 Gibilterra  
 D733,442 S 7/2015 Dryburgh et al.  
 D736,009 S \* 8/2015 Berry ..... D6/381  
 9,102,243 B2 8/2015 Woodhouse et al.  
 9,132,918 B2 9/2015 Bamford et al.  
 9,178,550 B2 11/2015 Ko  
 9,242,733 B2 \* 1/2016 Pajic ..... B64D 11/0015  
 D750,392 S 3/2016 Wilkens  
 9,315,270 B2 4/2016 Dryburgh et al.  
 9,346,504 B2 5/2016 Segato  
 9,358,908 B2 6/2016 Rajasingham  
 9,359,079 B2 6/2016 Scott et al.  
 9,398,812 B2 7/2016 Sanae  
 9,428,088 B1 8/2016 Rajasingham  
 9,446,686 B2 9/2016 Woodhouse et al.  
 9,475,407 B2 10/2016 Byun  
 D771,400 S \* 11/2016 DoVale ..... D6/368  
 9,511,694 B2 12/2016 Mendicino et al.  
 D775,843 S \* 1/2017 Burmeister ..... D6/356  
 9,533,765 B2 1/2017 Vergnaud et al.  
 9,623,776 B2 4/2017 Colsky  
 9,630,717 B2 4/2017 Wilkens  
 D785,958 S \* 5/2017 Iulita ..... D6/356  
 9,682,643 B2 6/2017 Wegenka et al.  
 9,708,065 B2 7/2017 Sankrithi et al.  
 9,764,844 B2 9/2017 Le et al.  
 9,771,156 B2 9/2017 Brownjohn et al.  
 9,796,296 B2 10/2017 Cailleteau  
 9,821,691 B2 11/2017 Brockman  
 9,828,101 B2 11/2017 Shih  
 9,834,308 B2 12/2017 Henshaw  
 9,908,445 B2 3/2018 Park et al.  
 9,925,895 B2 3/2018 Ellis et al.  
 10,017,255 B2 7/2018 Smallhorn  
 10,035,433 B2 7/2018 Muraiti et al.  
 10,035,599 B2 7/2018 Ruiz Lara et al.



(56)

References Cited

U.S. PATENT DOCUMENTS

10,081,428 B2 \* 9/2018 Clucas ..... B64D 11/0606  
 10,144,513 B2 \* 12/2018 Foucher ..... B64D 11/06  
 D847,527 S \* 5/2019 Borrás Pons ..... D6/368  
 D859,860 S \* 9/2019 Iwasaki ..... D6/336  
 RE47,872 E \* 2/2020 Scott ..... B64D 11/0693  
 D876,852 S \* 3/2020 Bellissimo ..... D6/364  
 10,676,195 B2 \* 6/2020 Weifenbach ..... B64D 11/0601  
 D895,339 S \* 9/2020 Rottet ..... D6/717  
 D897,121 S \* 9/2020 Sasaki ..... D6/334  
 2002/0033432 A1 3/2002 Mikosza  
 2007/0063568 A1 \* 3/2007 Figueras Mitjans ..... A47C 4/04  
 297/411.2  
 2007/0241233 A1 10/2007 Cona  
 2007/0241235 A1 10/2007 Atchison  
 2008/0042010 A1 \* 2/2008 Watanabe ..... B64D 11/0601  
 244/118.6  
 2008/0087767 A1 4/2008 Scott  
 2009/0127911 A1 5/2009 Schumacher et al.  
 2010/0282902 A1 11/2010 Rajasingham  
 2010/0295358 A1 11/2010 Lee  
 2011/0031772 A1 2/2011 Mabuchi et al.  
 2011/0175411 A1 7/2011 Wagner et al.  
 2011/0272991 A1 11/2011 Saxton  
 2012/0274108 A1 11/2012 Kim  
 2012/0292957 A1 11/2012 Vergnaud et al.  
 2012/0305705 A1 12/2012 Vergnaud et al.  
 2013/0193726 A1 8/2013 Rajasingham  
 2015/0014481 A1 1/2015 Vandewall  
 2015/0166181 A1 6/2015 Scott  
 2015/0202992 A1 7/2015 Cailleteau  
 2015/0210395 A1 7/2015 St. Jalmes  
 2016/0009397 A1 1/2016 Rajasingham  
 2016/0150887 A1 6/2016 Wallis  
 2016/0262543 A1 \* 9/2016 Currie ..... A47C 7/021  
 2016/0318611 A1 11/2016 Brownjohn et al.  
 2017/0049655 A1 \* 2/2017 Sung ..... A63B 21/023  
 2017/0343150 A1 \* 11/2017 Jiang ..... B64D 11/00152  
 2018/0105272 A1 4/2018 Scott  
 2018/0242745 A1 \* 8/2018 Walters ..... A47C 7/54  
 2018/0251042 A1 \* 9/2018 Baccouche ..... B60N 2/005  
 2021/0001987 A1 \* 1/2021 Harcup ..... B64D 11/0601  
 2021/0001988 A1 \* 1/2021 Alexandrino ..... B64D 11/0601  
 2021/0039563 A1 \* 2/2021 Yashwanth Theriyur  
 Srinivassharma .. B60R 11/0211

FOREIGN PATENT DOCUMENTS

CN 102849212 A 1/2013  
 CN 104507808 A 4/2015  
 CN 102753436 B 5/2015  
 CN 105857328 A 8/2016  
 CN 102849212 B 3/2017  
 DE 10 2010 019 192 A1 11/2011  
 EP 0658477 A1 6/1995  
 EP 0747286 A 12/1996

EP 1801010 6/2007  
 EP 1864850 A1 12/2007  
 EP 2 214 927 A1 8/2010  
 EP 2 471 684 A1 4/2012  
 EP 2520491 A1 7/2012  
 EP 2507131 A2 10/2012  
 EP 2 214 927 B1 11/2013  
 EP 2507131 B1 2/2017  
 FR 2953168 A1 2/2009  
 FR 2949214 A1 2/2011  
 GB 2455130 B 3/2009  
 GB 2514356 A 11/2014  
 GB 2514356 B 11/2017  
 WO 1990002685 A1 3/1990  
 WO 2008043430 4/2008  
 WO 2011067286 A2 6/2011  
 WO 2011067286 A3 6/2011  
 WO 2011081289 A1 7/2011  
 WO 2013185035 A1 12/2013  
 WO 2014161853 A1 10/2014  
 WO 2014011320 1/2015  
 WO 2016168200 A1 10/2016

OTHER PUBLICATIONS

Smithson, Ben. "There's a New Type of Middle Seat Coming to a US Airline—But How Will It Work?" Jul. 20, 2019, thepointsguy.com, site visited Sep. 15, 2020 <<https://thepointsguy.com/news/sliding-seats-and-wider-aisles-to-speed-up-boarding/>> (Year: 2019).\*

Stewart, Marc. "New airline seats may bring calm to hectic travel experience" May 5, 2017, thedenverchannel.com, site visited Sep. 15, 2020 <<https://www.thedenverchannel.com/news/front-range/lakewood/new-airline-seat-may-bring-calm-to-hectic-travel-experience>> (Year: 2017).\*

"Staggered, Sliding Airline Seats That Allow For Easier Boarding, More Room For Middle Passenger" Jul. 10, 2018, geekologie.com, site visited Sep. 15, 2020 <<https://geekologie.com/2018/07/staggered-sliding-airline-seats-that-all.php>> (Year: 2018).\*

English Abstract of CN102015358, Apr. 13, 2011, 1 pp.  
 English Abstract of CN102753436A, Oct. 24, 2012, 1 pp.  
 English Abstract of CN102753436B, May 13, 2015, 2 pp.  
 English Abstract of CN102849212A, Jan. 2, 2013, 2 pp.  
 English Abstract of CN102849212B, Mar. 1, 2017, 2 pp.  
 English Abstract of CN104507808A, Apr. 8, 2015, 2 pp.  
 English Abstract of CN105857328A, Aug. 17, 2016, 2 pp.  
 English Abstract of DE102010019192, Nov. 10, 2011, 1 pp.  
 English Abstract of EP2507121B1, Feb. 22, 2017, 2 pp.  
 English Abstract of FR2953168, Jun. 3, 2011, 2 pp.

Coffey, Helen, "New Aeroplane Design Could See Passengers Fighting over who gets the Middle seat", Jan. 25, 2017, <http://www.express.co.uk/travel/articles/758728/flight-side-slip-seat-design>, 2017.

"Molon Labe Rethinks the Middle Seat with Staggered Seating Options" Mar. 23, 2017, apex.aero, site visited Jan. 3, 2019, <<https://apex.aero/2017/03/23/molon-labe-rethinks-middle-seat-staggered-seating-options>> (Year: 2017), 1 pp.

\* cited by examiner

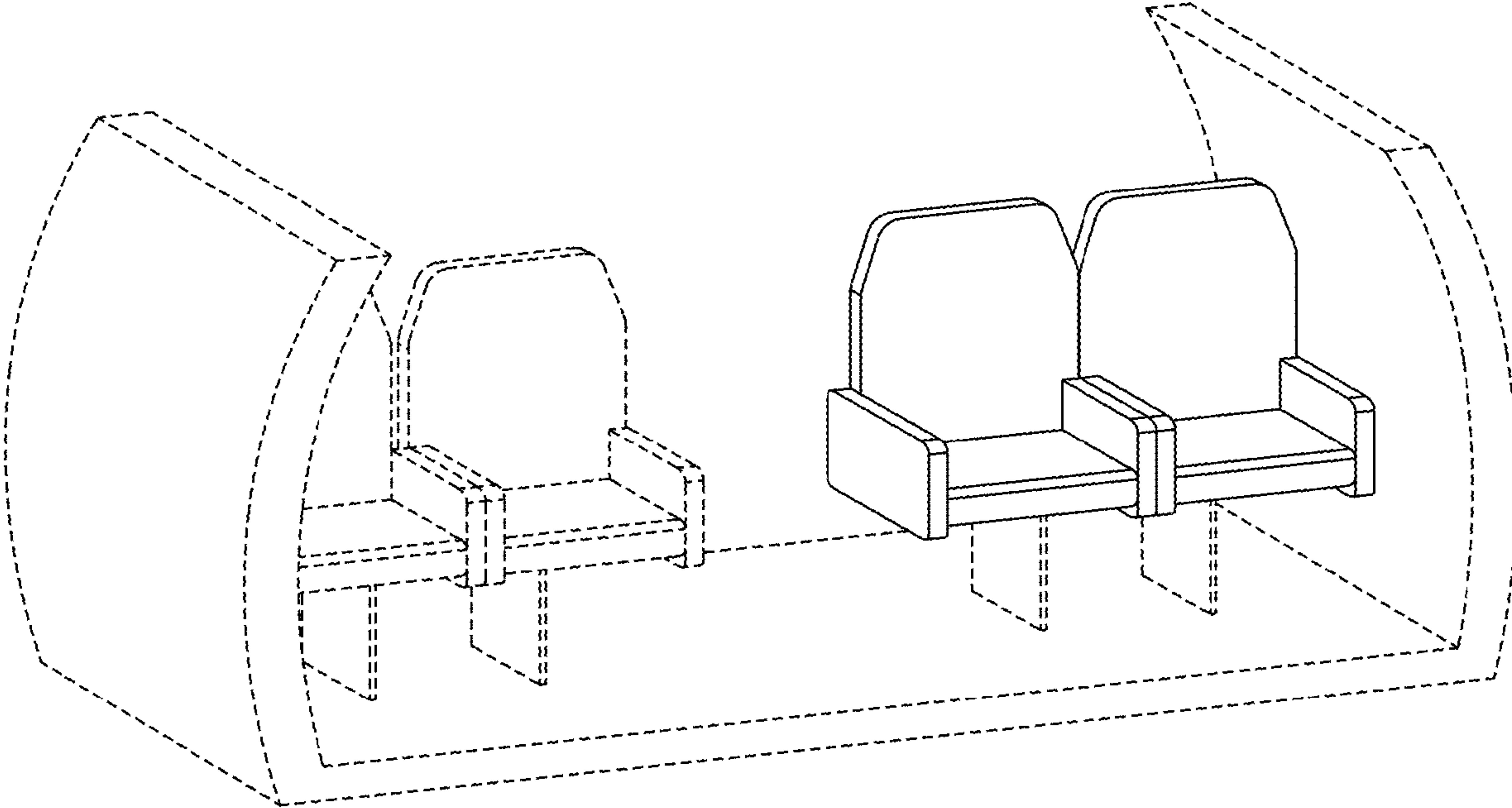


FIG. 1

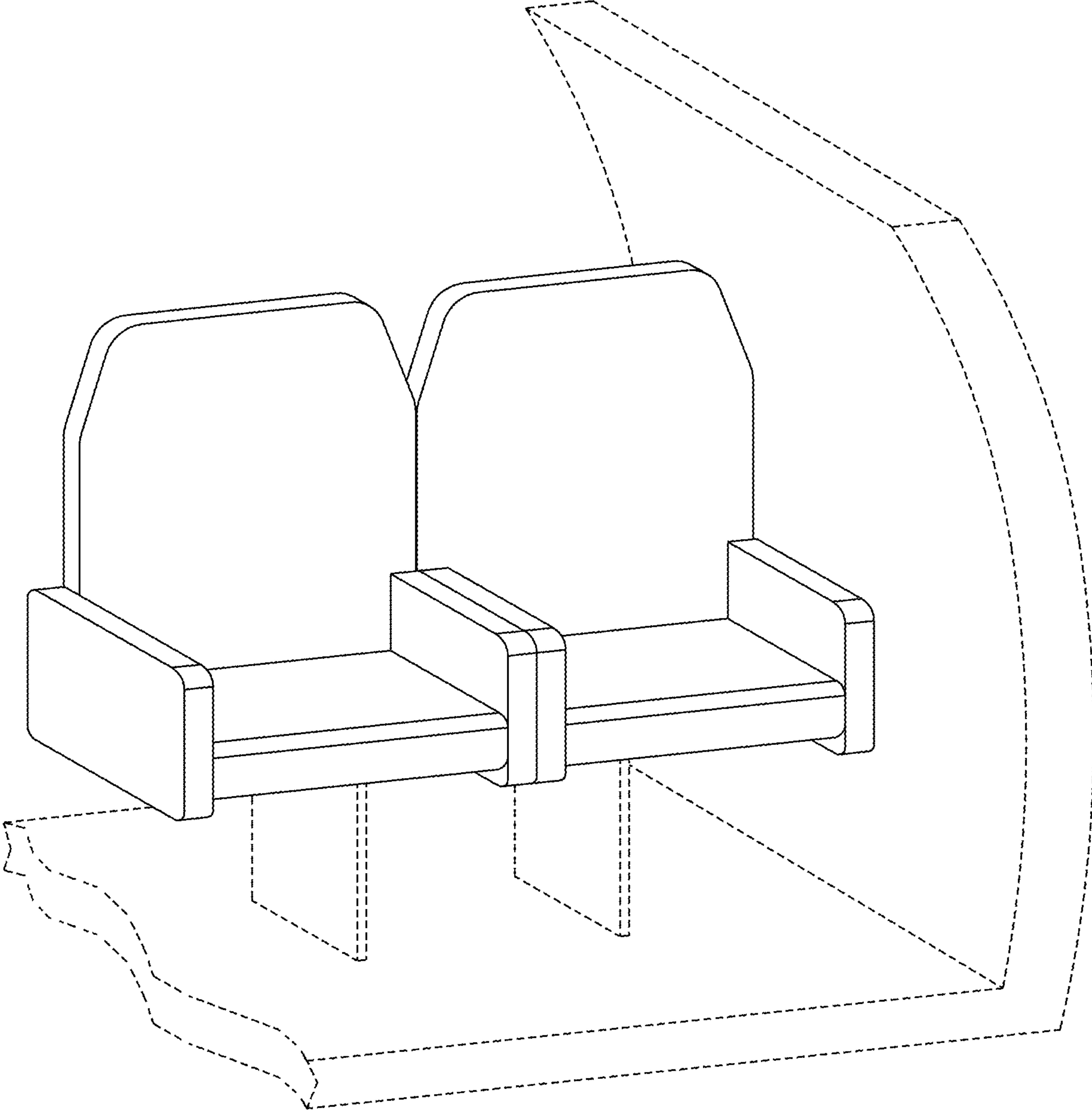


FIG. 2

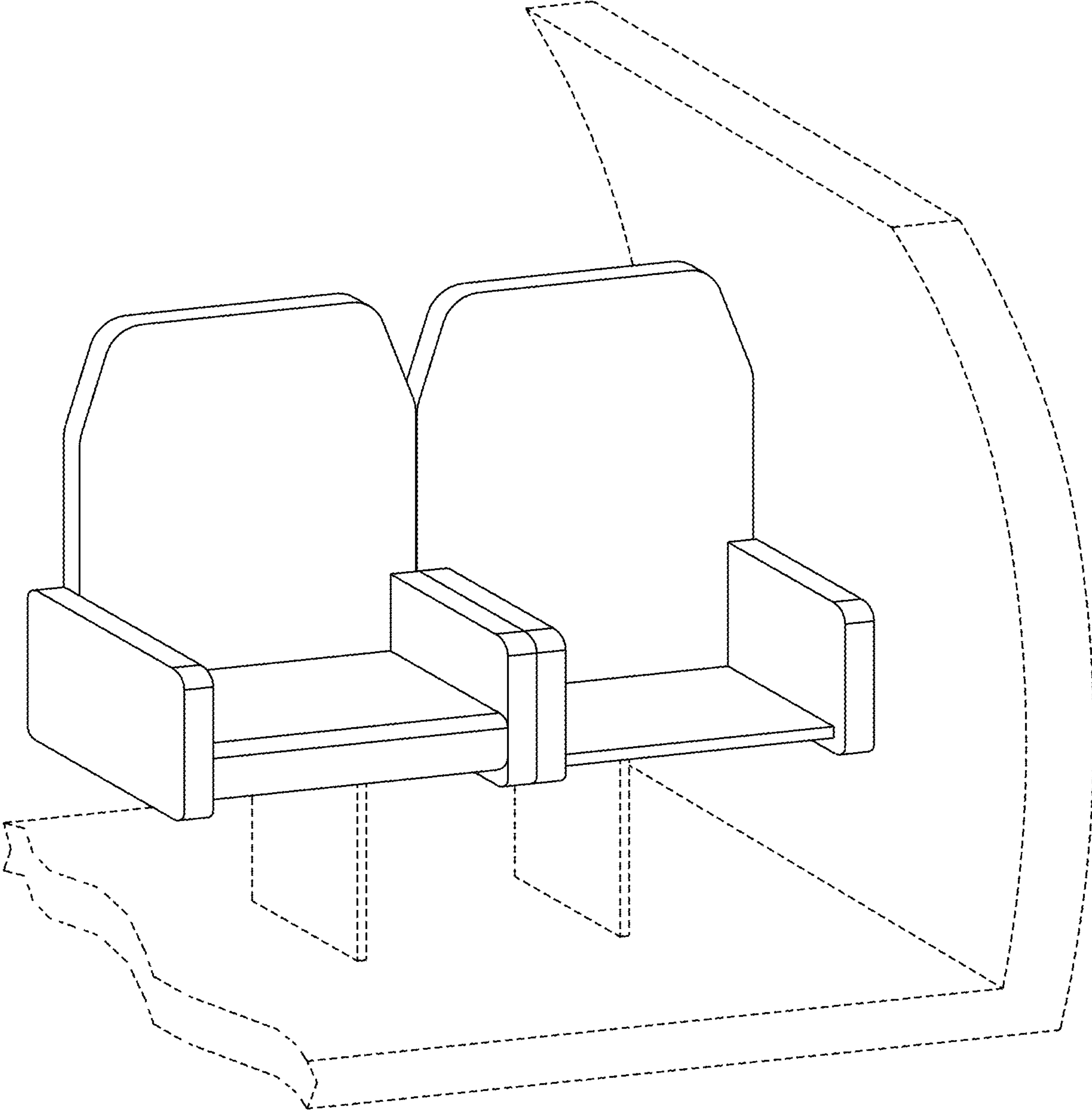


FIG. 3

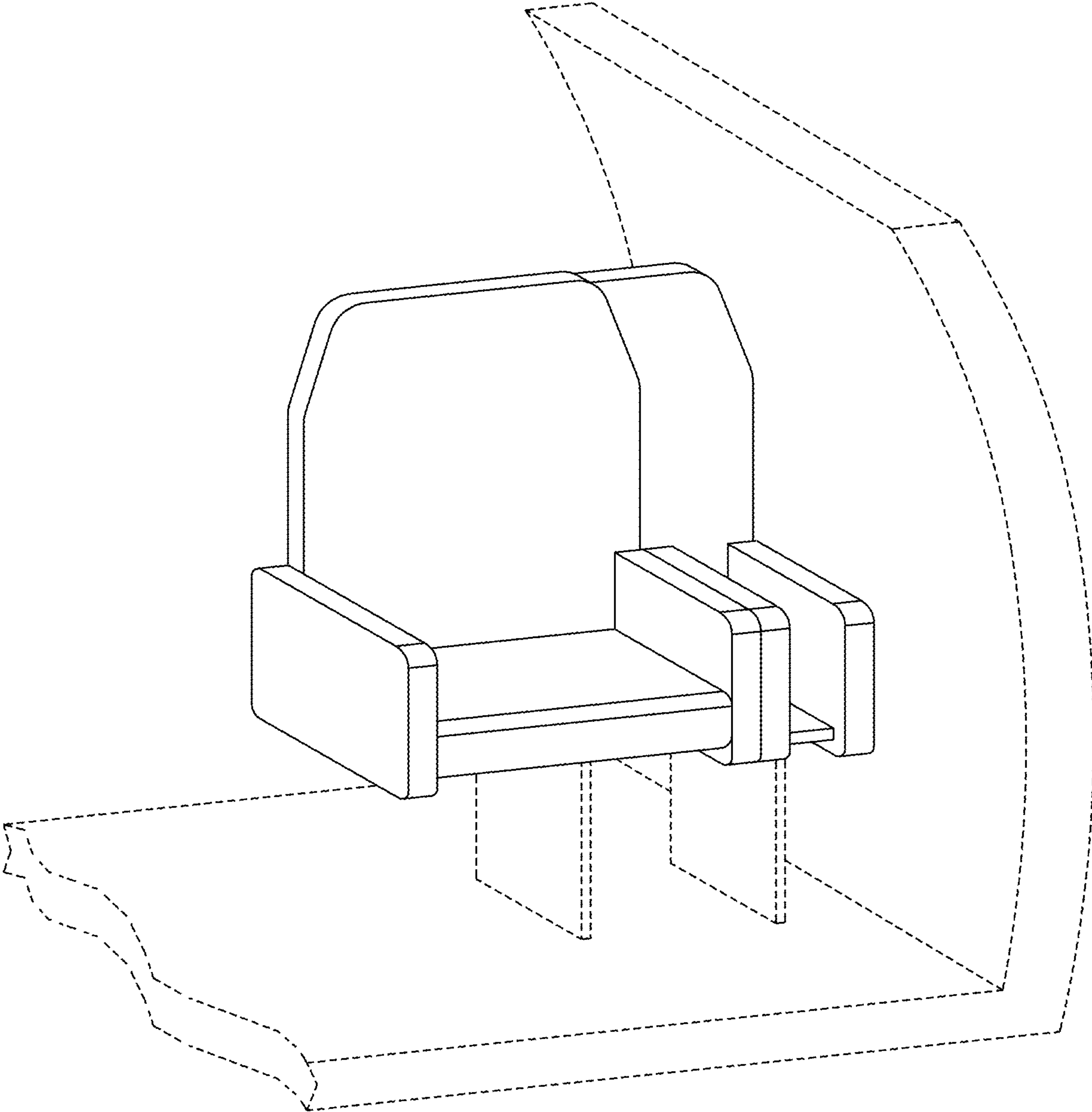


FIG. 4



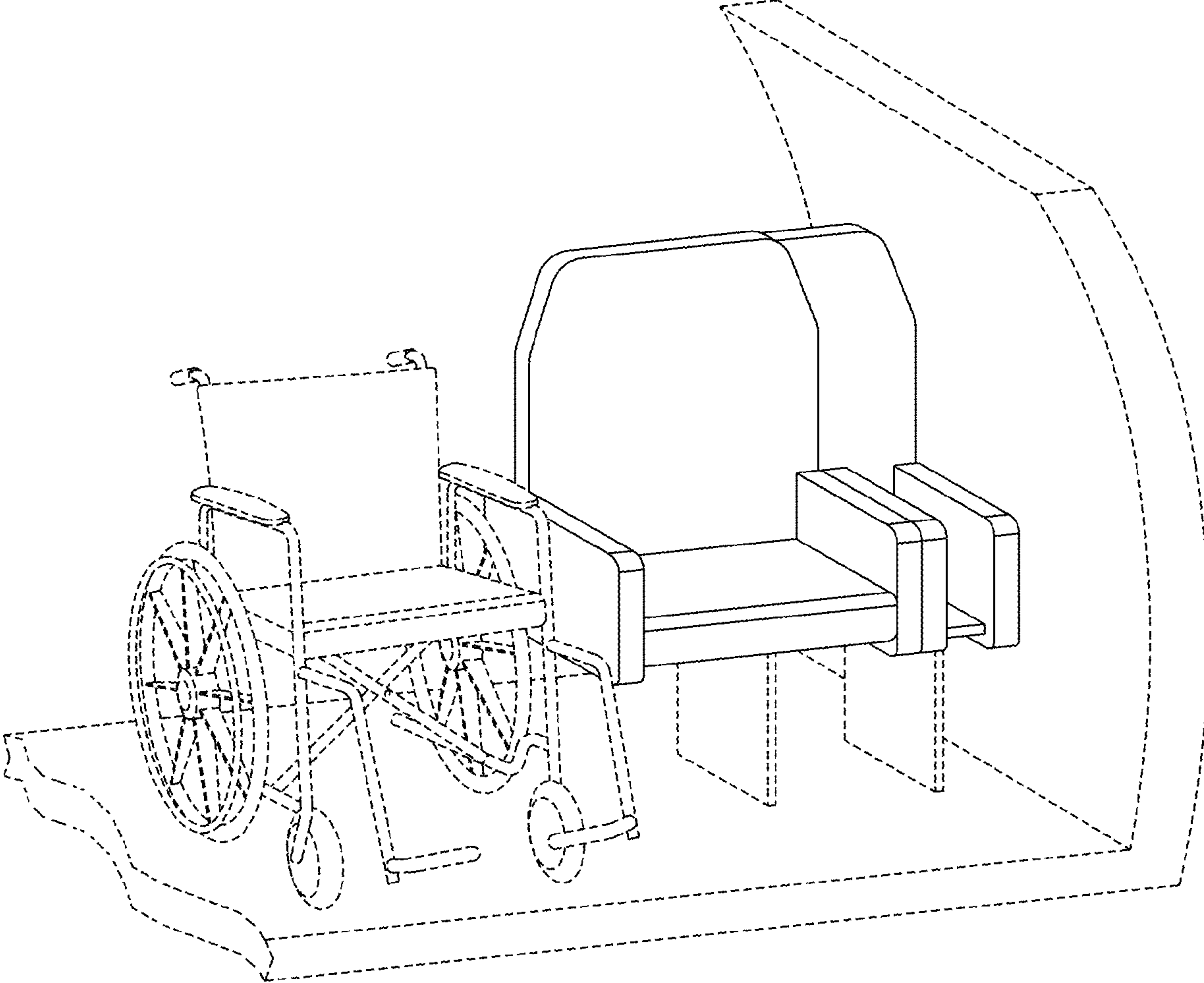


FIG. 5



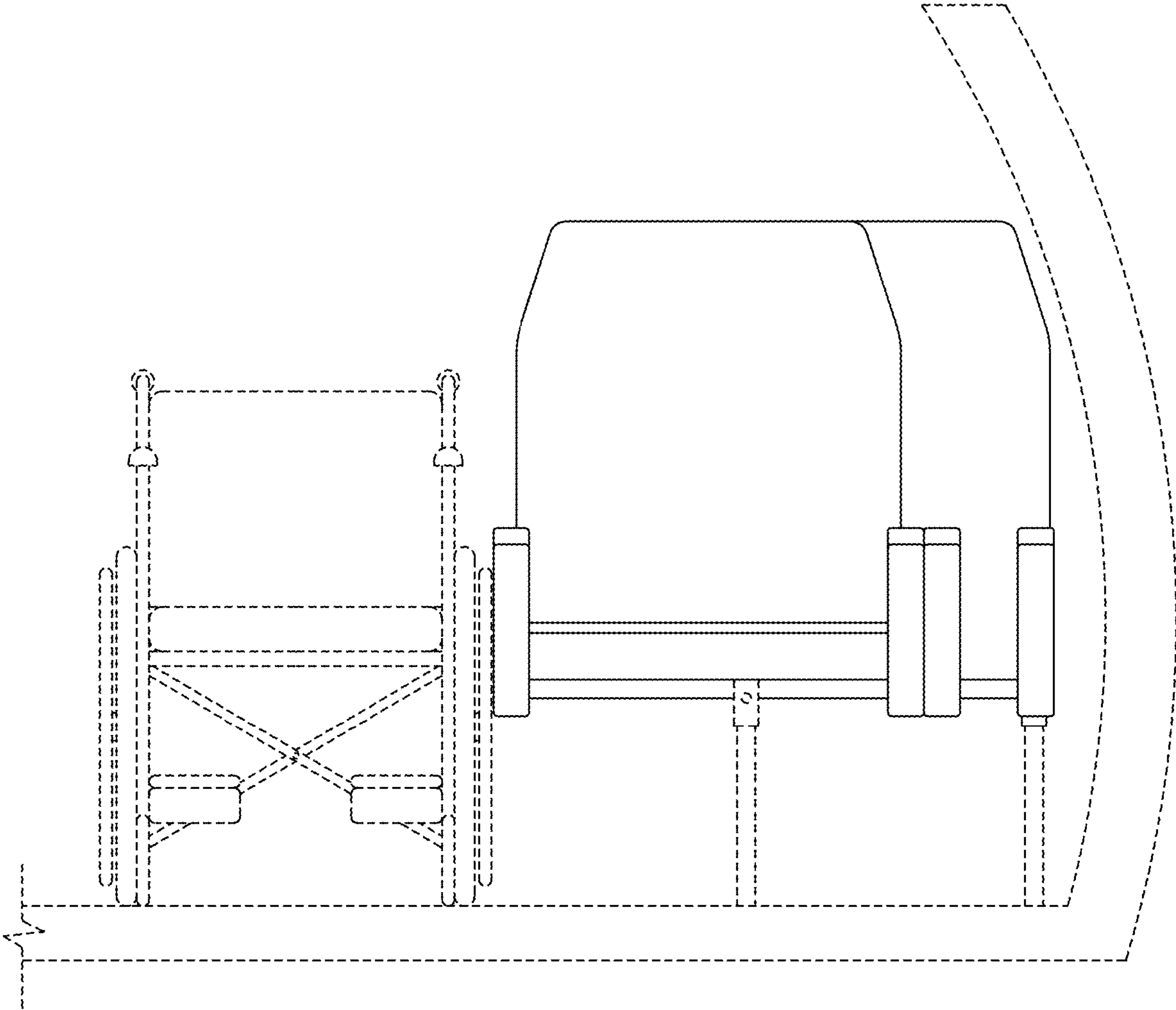


FIG. 6

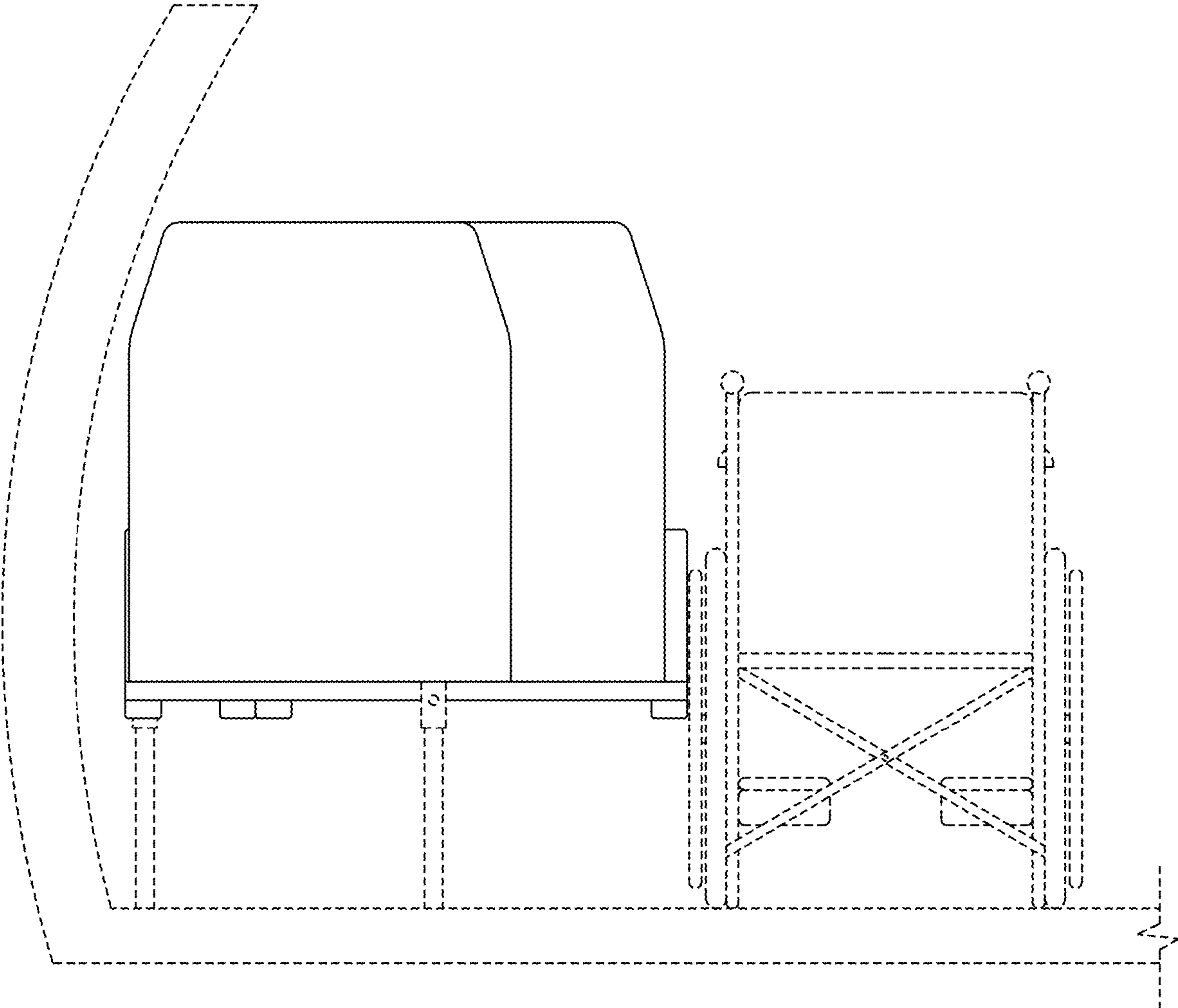


FIG. 7

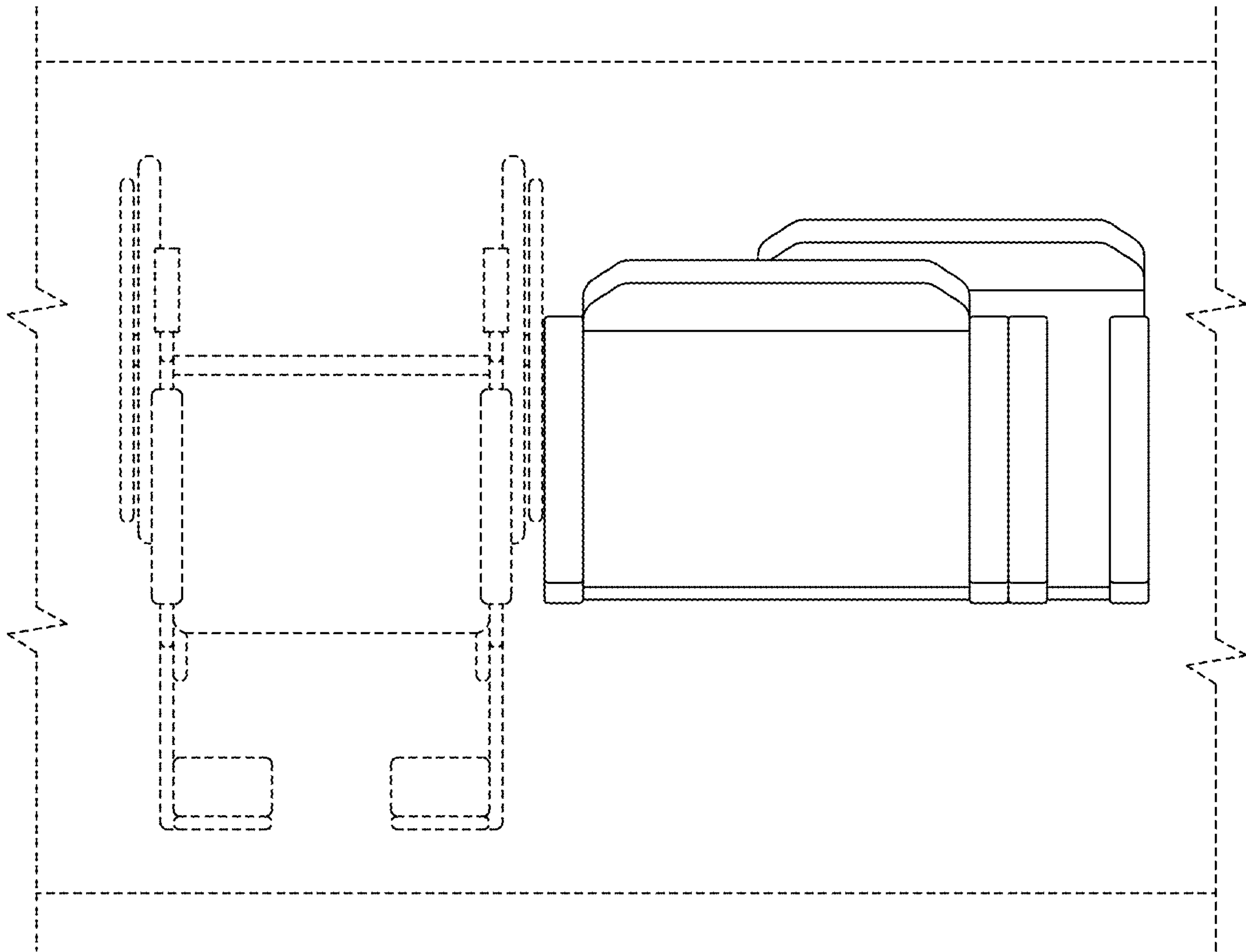


FIG. 8



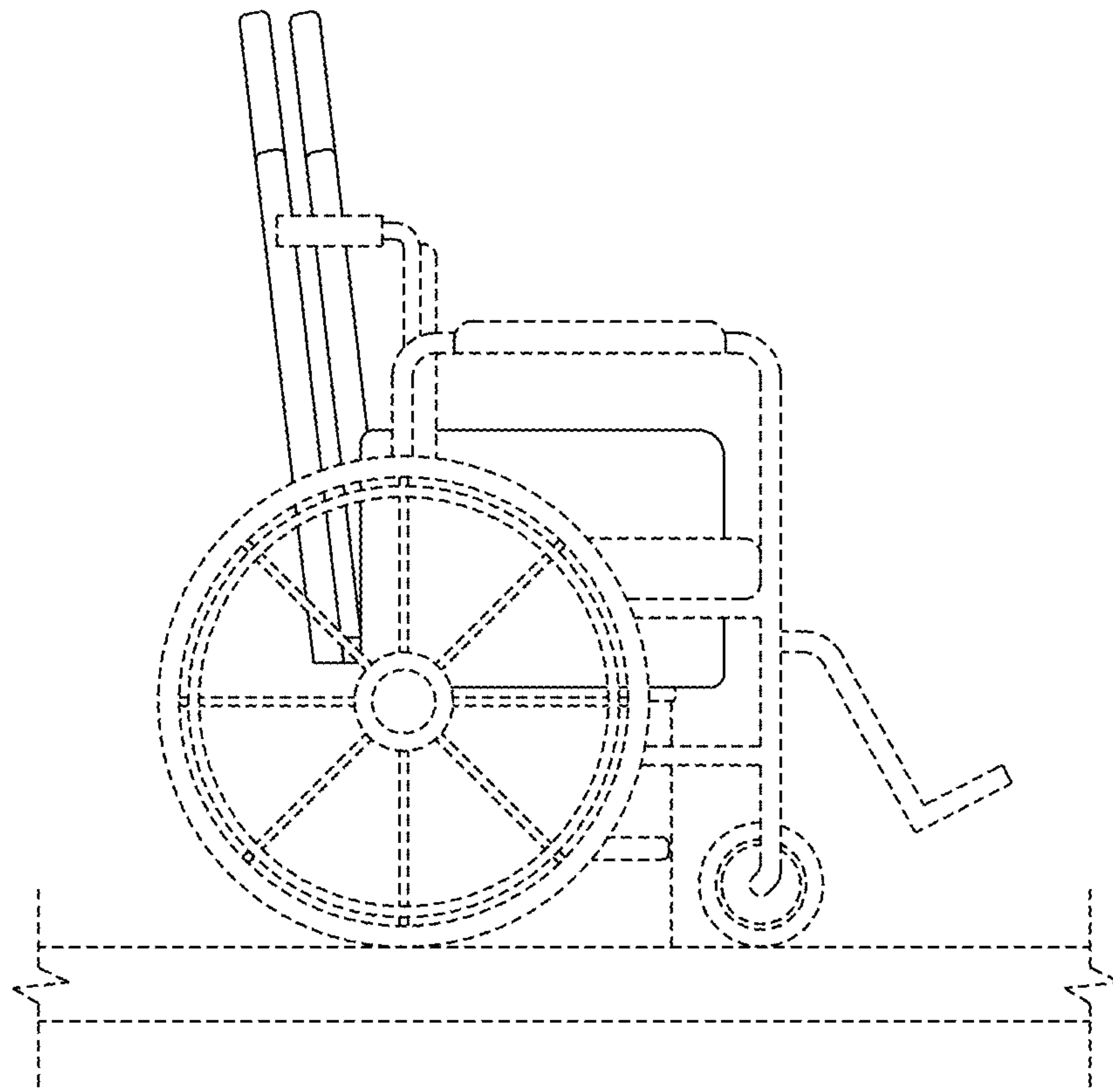


FIG. 9

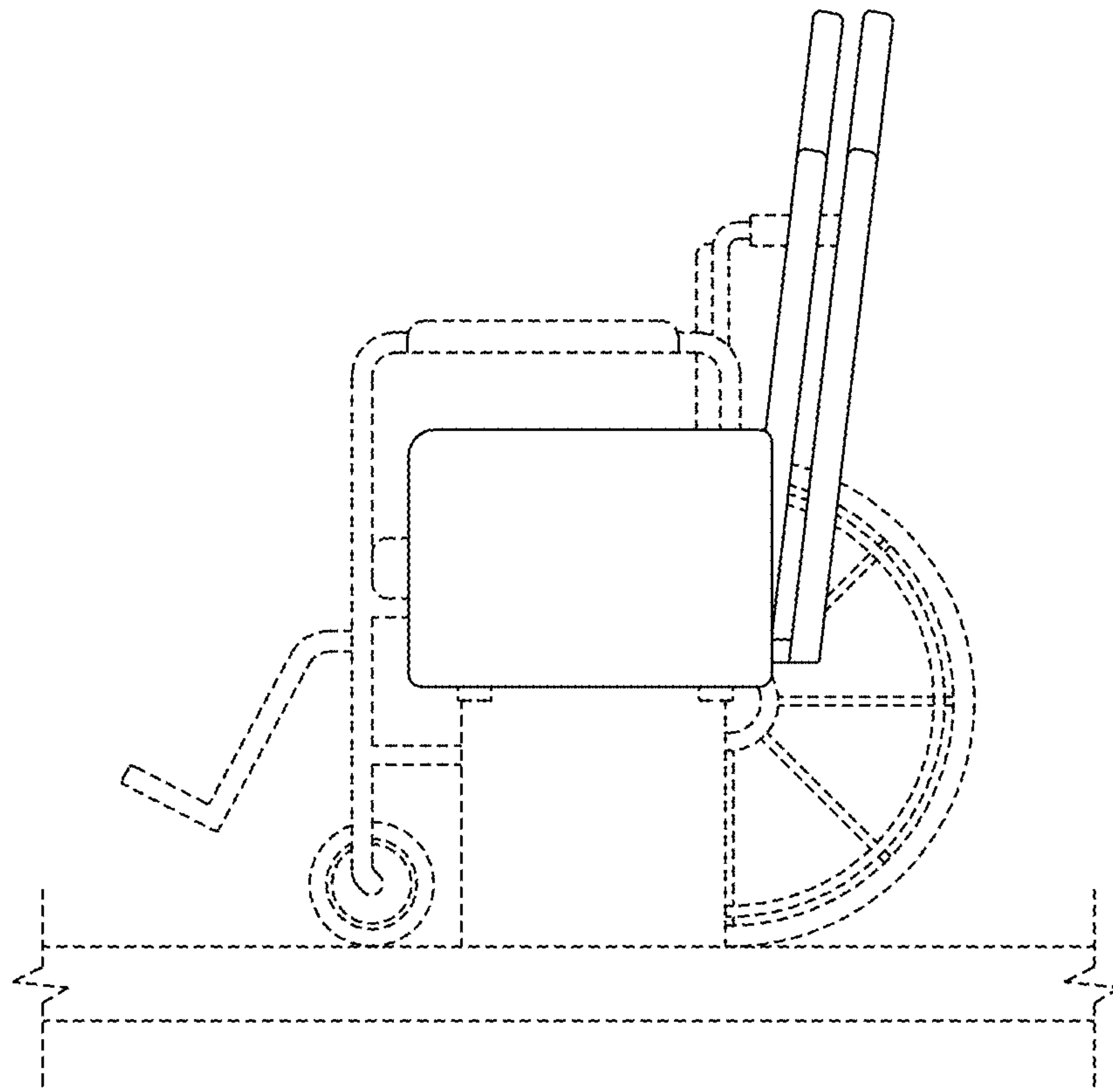


FIG. 10