



US00D924042S

(12) **United States Design Patent** (10) **Patent No.:** **US D924,042 S**  
**Shaffer** (45) **Date of Patent:** **\*\* Jul. 6, 2021**

(54) **PHOTOVOLTAIC MOUNTING BASEPLATE**

(71) Applicant: **NEWPOWER, INC.**, Riverside, CA (US)

(72) Inventor: **Thomas Shaffer**, Riverside, CA (US)

(73) Assignee: **NEWPOWER, INC.**, Riverside, CA (US)

(\*\*) Term: **15 Years**

(21) Appl. No.: **35/001,729**

(22) Filed: **Aug. 20, 2019**

(80) **Hague Agreement Data**

Int. Filing Date: **Aug. 20, 2019**

Int. Reg. No.: **DM/206781**

Int. Reg. Date: **Aug. 20, 2019**

Int. Reg. Pub. Date: **Apr. 3, 2020**

(51) **LOC (13) Cl.** ..... **08-05**

(52) **U.S. Cl.**  
USPC ..... **D8/354**

(58) **Field of Classification Search**  
USPC ..... D8/349, 354, 363, 366, 373, 380, 381;  
D13/102; D21/502  
CPC ..... H02S 20/23; H02S 20/24  
See application file for complete search history.

(56) **References Cited**

**U.S. PATENT DOCUMENTS**

D285,047 S *	8/1986	Dean	.....	D8/349
D327,214 S *	6/1992	Stuart	.....	D8/373
D371,506 S *	7/1996	Nofziger	.....	D8/354
D388,136 S *	12/1997	Lecocq	.....	D21/502
D408,716 S *	4/1999	Vesledahl	.....	D8/354
D432,000 S *	10/2000	Hays	.....	D8/354
D432,394 S *	10/2000	Hays	.....	D8/354
D592,437 S *	5/2009	Chou	.....	D6/580

D598,272 S *	8/2009	Tejszerski	.....	D8/349
D599,194 S *	9/2009	Meyer	.....	D8/354
D619,446 S *	7/2010	Reti	.....	D8/354
7,987,641 B2 *	8/2011	Cinnamon	.....	F24S 25/67 52/173.3
D653,524 S *	2/2012	Meyer	.....	D8/354
D667,288 S *	9/2012	Preda	.....	D8/354
D667,289 S *	9/2012	Preda	.....	D8/354
D683,565 S *	6/2013	Chou	.....	D6/580
D730,545 S *	5/2015	Stauffer	.....	D25/133
D732,708 S *	6/2015	Stauffer	.....	D25/133
D740,108 S *	10/2015	Di Stefano	.....	D8/363
9,447,988 B2 *	9/2016	Stearns	.....	E04D 13/00
D784,794 S *	4/2017	Bently	.....	D8/354
10,541,641 B2 *	1/2020	Tomolillo	.....	H02S 20/23
10,673,374 B2 *	6/2020	Robinson	.....	H02S 20/23
D900,594 S *	11/2020	Shaffer	.....	D8/354
D906,788 S *	1/2021	Ochi	.....	D8/354
2008/0163581 A1 *	7/2008	Greth	.....	E04B 1/41 52/702
2015/0075100 A1 *	3/2015	West	.....	H02S 20/23 52/506.05
2021/0042692 A1 *	2/2021	Shaffer	.....	G06Q 10/0833

\* cited by examiner

*Primary Examiner* — Deanna L Pratt

(74) *Attorney, Agent, or Firm* — Kunzler Bean & Adamson, PC

(57) **CLAIM**

The ornamental design for photovoltaic mounting baseplate, as shown and described.

**DESCRIPTION**

1. Photovoltaic mounting baseplate

1.1 : Perspective

1.2 : Front

1.3 : Back

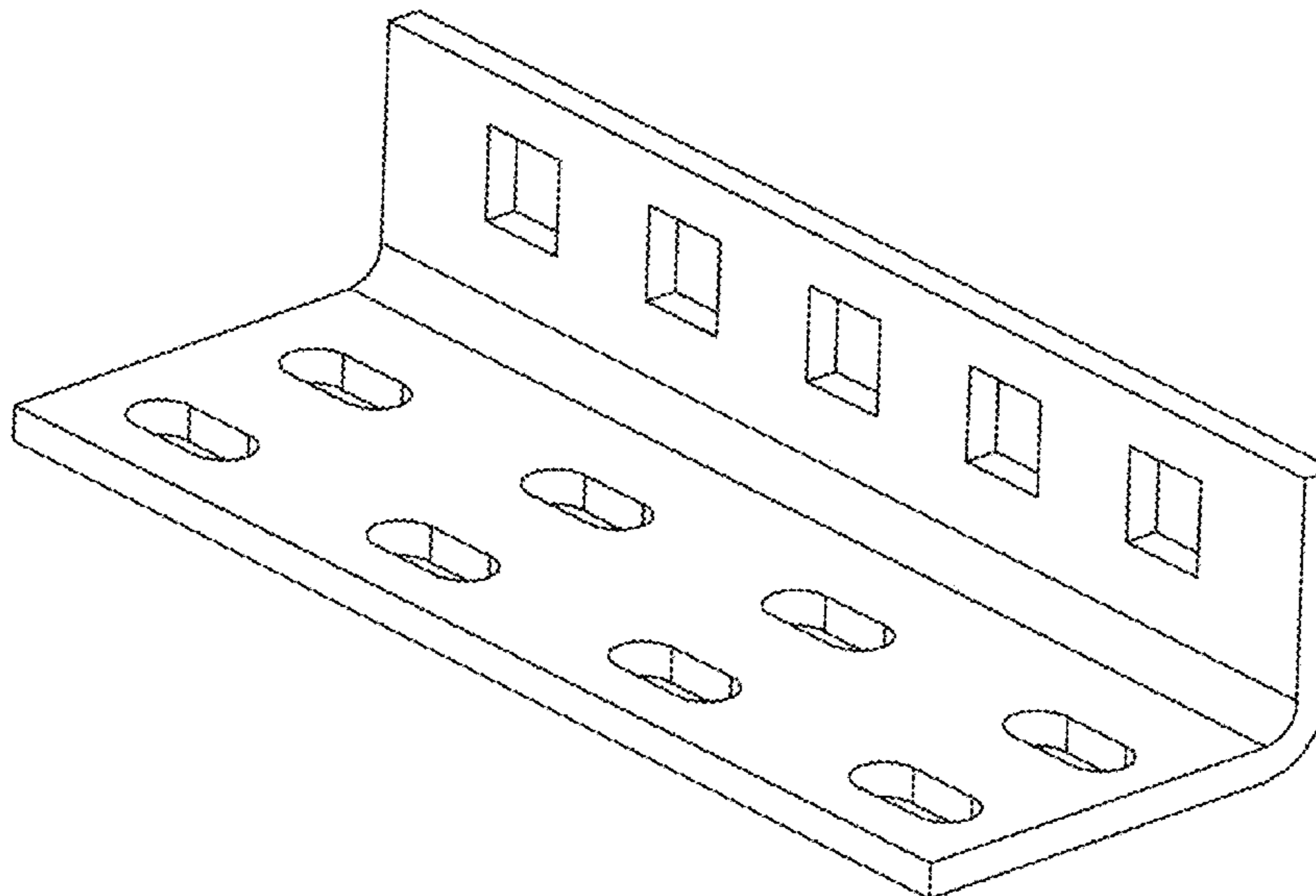
1.4 : Top

1.5 : Bottom

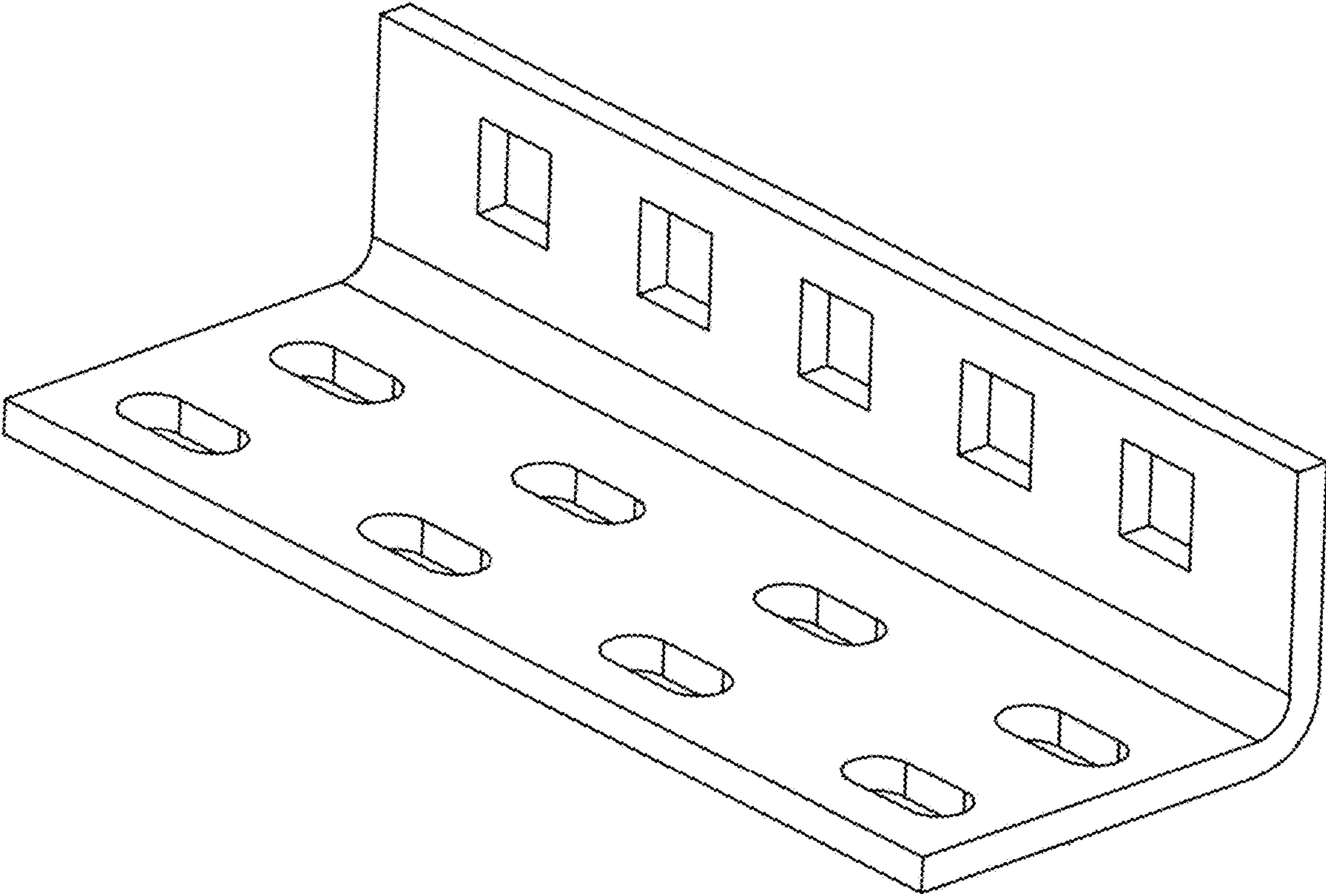
1.6 : Left

1.7 : Right

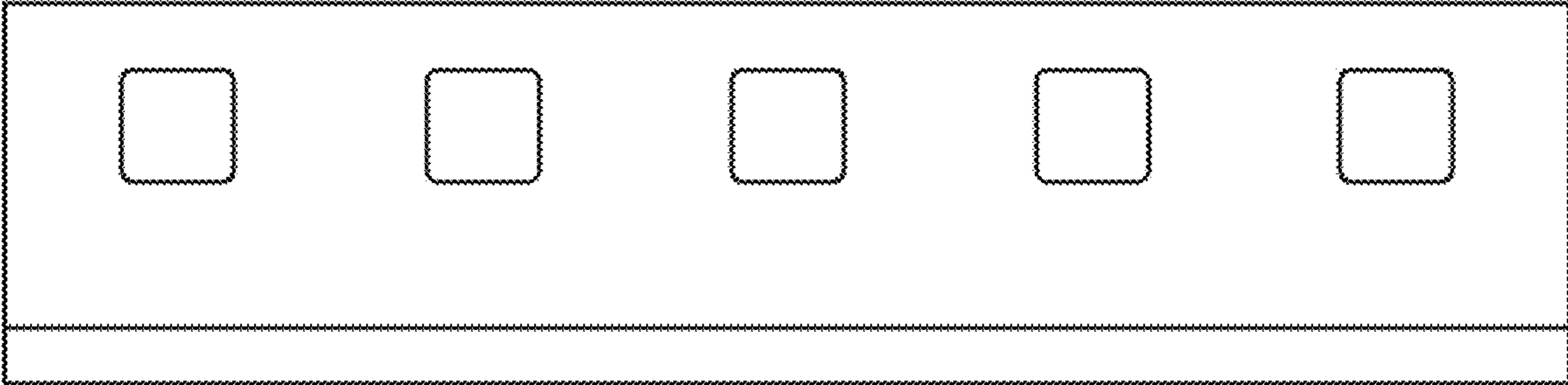
**1 Claim, 7 Drawing Sheets**



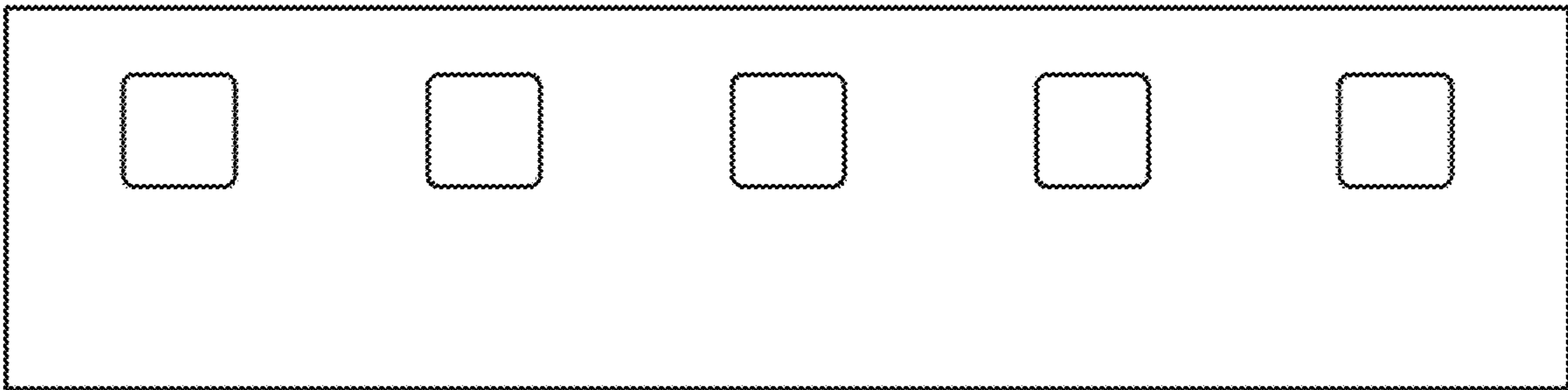
1.1



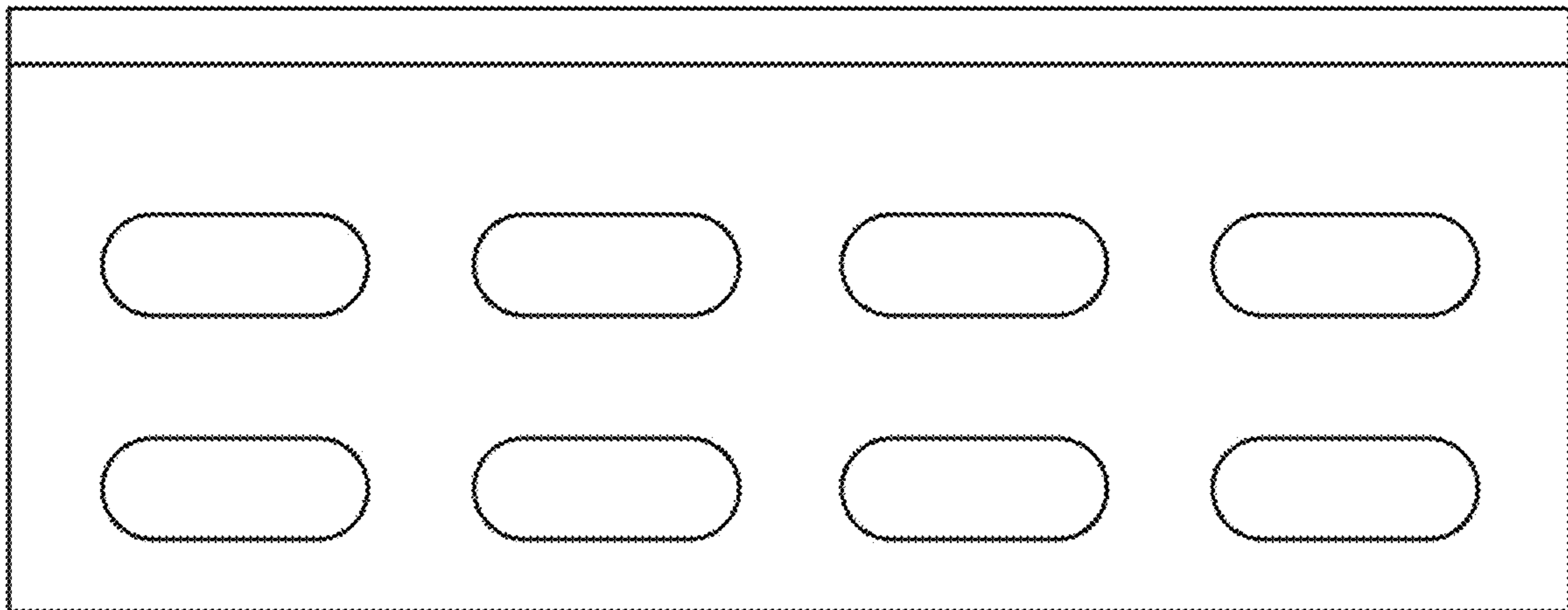
1.2



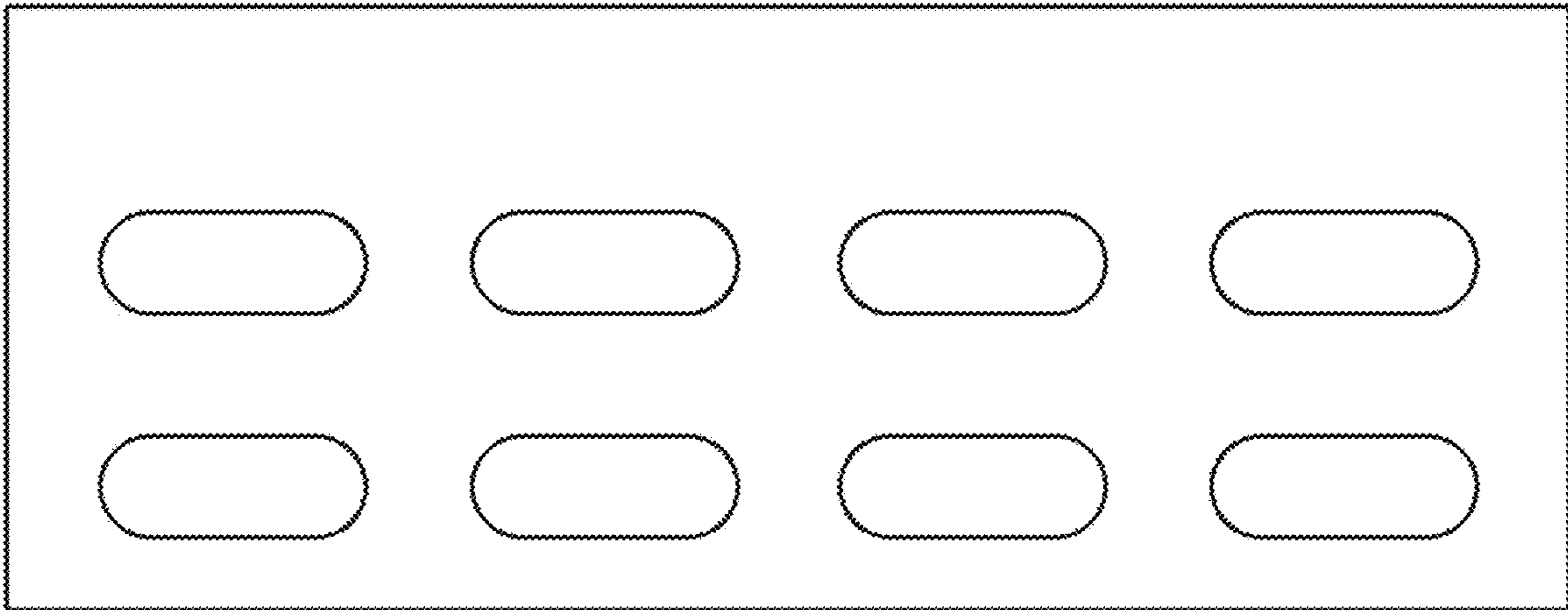
1.3



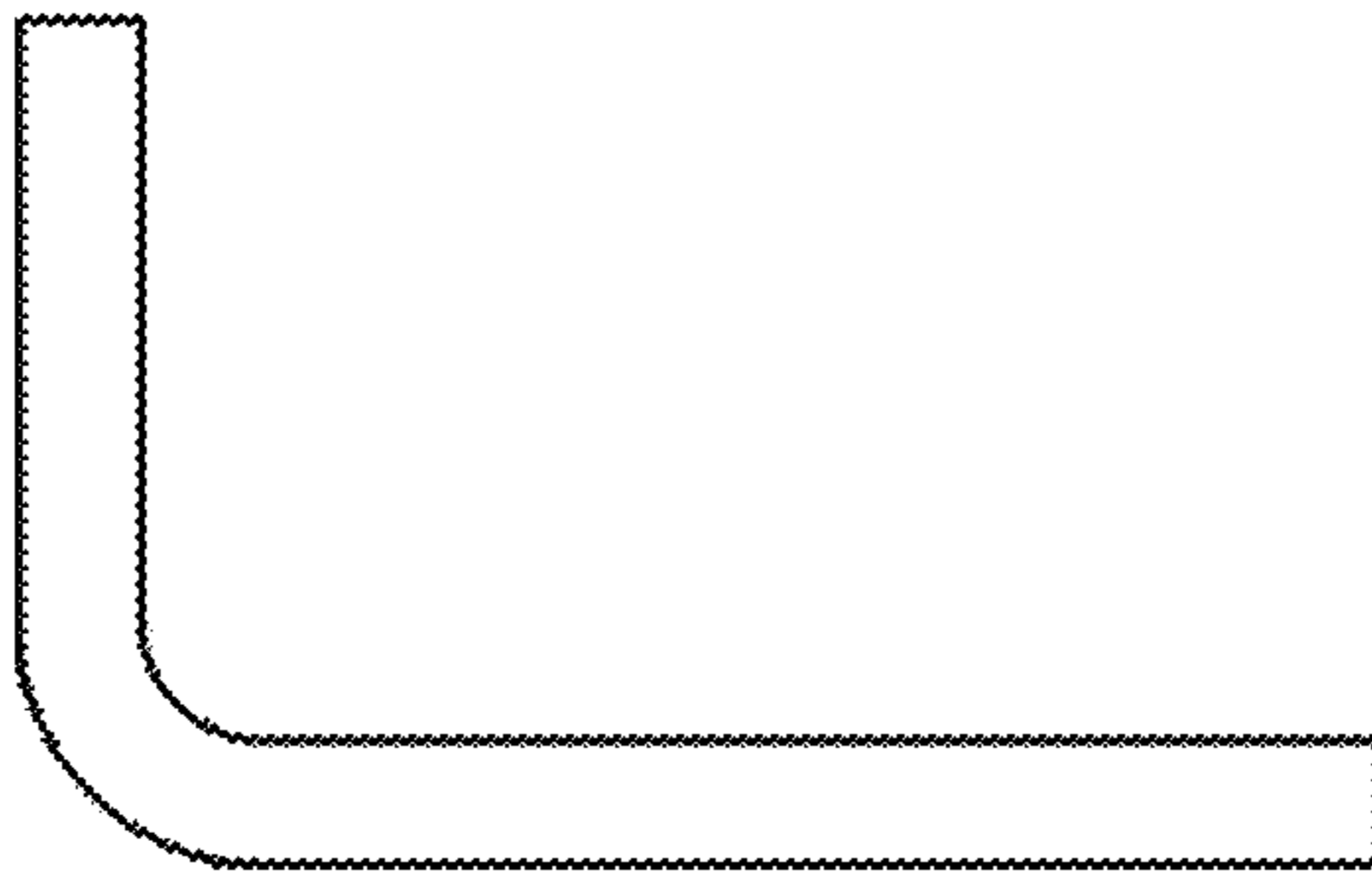
1.4



1.5



1.6



1.7

