



US00D924041S

(12) **United States Design Patent** (10) **Patent No.:** **US D924,041 S**
Brown et al. (45) **Date of Patent:** **** Jul. 6, 2021**

(54) **MOUNTING BRACKET**

(71) Applicant: **Pierson Computing Connection, Inc.**,
Mechanicsburg, PA (US)

(72) Inventors: **Gerald L. Brown**, Carlisle, PA (US);
Adam T. Lerch, Enola, PA (US);
Jeffrey M. Pierson, Carlisle, PA (US)

(73) Assignee: **Pierson Computing Connection, Inc.**,
Mechanicsburg, PA (US)

(**) Term: **15 Years**

(21) Appl. No.: **29/726,703**

(22) Filed: **Mar. 5, 2020**

(51) **LOC (13) Cl.** **08-08**

(52) **U.S. Cl.**
USPC **D8/349**

(58) **Field of Classification Search**
USPC D6/706, 707.19, 702, 705.7, 705, 707,
D6/312, 324, 392; D8/349, 354, 373,
D8/382, 394, 499; D14/239
CPC . A47G 7/044; G09F 7/20; E06B 11/02; E06B
3/984; E06B 11/04; E06B 3/9641; E06B
3/9687; E06B 11/022; E06B 2003/7063;
E06B 2009/002; E06B 3/9649
See application file for complete search history.

(56) **References Cited**

U.S. PATENT DOCUMENTS

4,062,470 A * 12/1977 Boteler H02G 3/125
220/3.3
D334,815 S * 4/1993 Bunger D21/501

D398,296 S * 9/1998 Currin D14/439
D447,045 S * 8/2001 Hundley D25/114
D523,864 S * 6/2006 Chen D14/444
D561,775 S 2/2008 Wohlford et al.
D605,026 S * 12/2009 Lin D8/354
7,788,875 B2* 9/2010 Wendt E04B 9/30
52/712
D629,920 S * 12/2010 Tezak D25/114
D748,966 S * 2/2016 Morinaga D8/323
D767,786 S 9/2016 Smith
D767,926 S 10/2016 Denby
D774,385 S 12/2016 Kaiser
D776,095 S 1/2017 Brown
D777,024 S 1/2017 Lee et al.
D798,848 S 10/2017 Frank
D853,665 S * 7/2019 Itzhak-Sigron D30/160
D903,471 S * 12/2020 Deckelman D8/354
D911,151 S * 2/2021 Smith D8/354

* cited by examiner

Primary Examiner — Mark A Goodwin
Assistant Examiner — Benjamin M Weeks
 (74) *Attorney, Agent, or Firm* — Hooker & Habib, P.C.

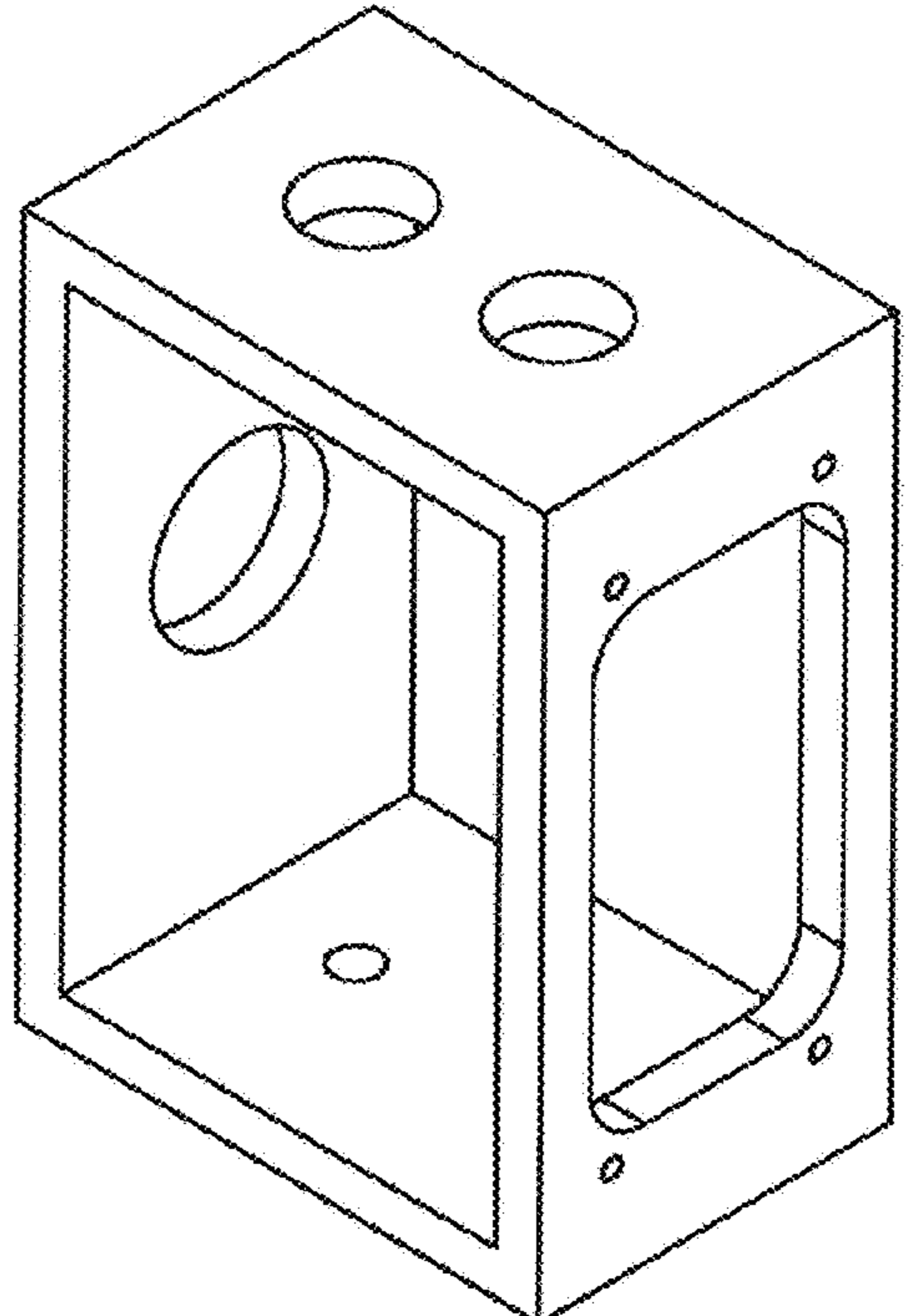
(57) **CLAIM**

We claim the ornamental design for a mounting bracket, as shown and described.

DESCRIPTION

FIG. 1 is a top perspective view of mounting bracket;
 FIG. 2 is a top view thereof;
 FIG. 3 is a bottom view thereof;
 FIG. 4 is a front view thereof;
 FIG. 5 is a rear view thereof;
 FIG. 6 is a side view thereof; and,
 FIG. 7 is an opposed side view thereof.

1 Claim, 3 Drawing Sheets



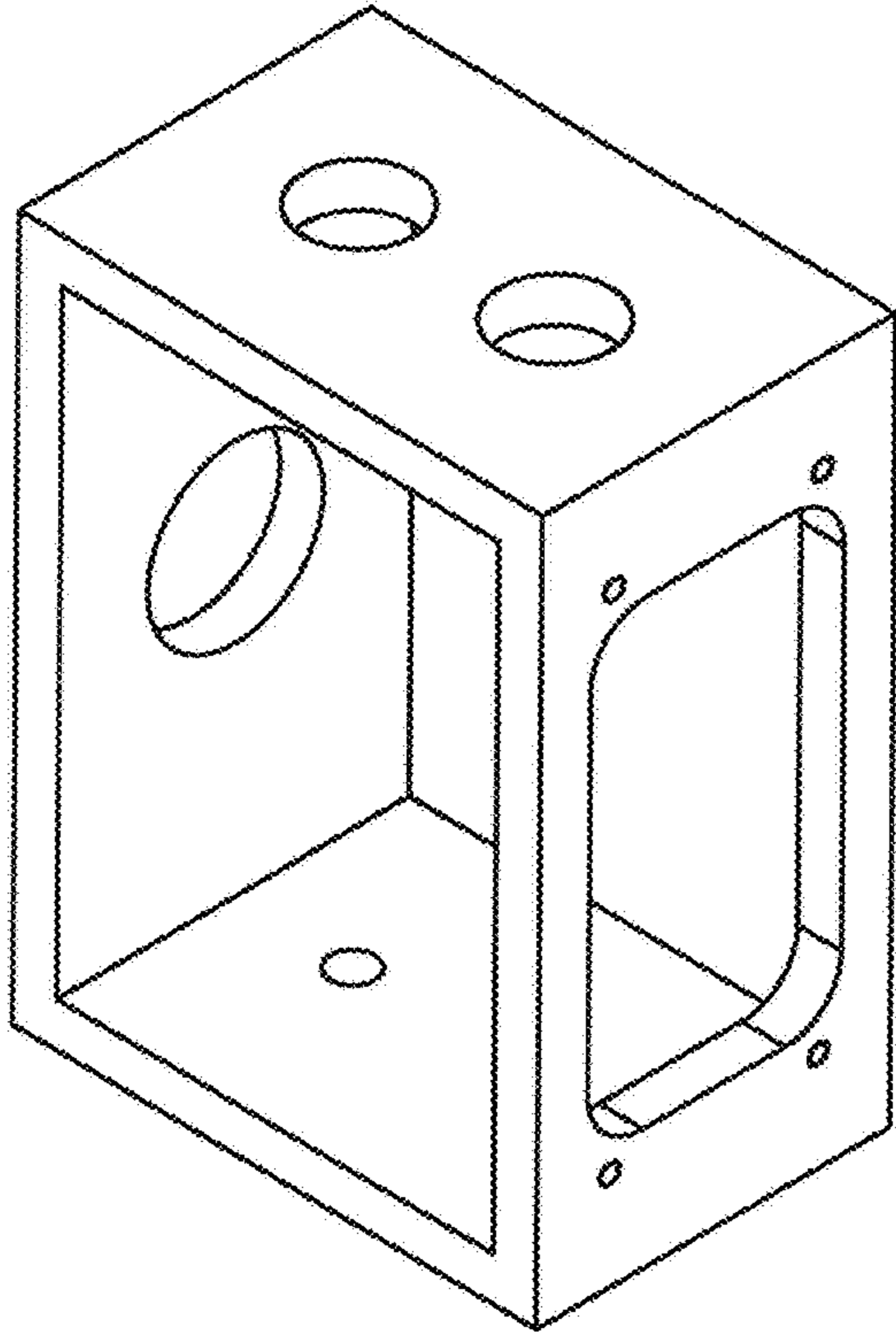


Fig. 1

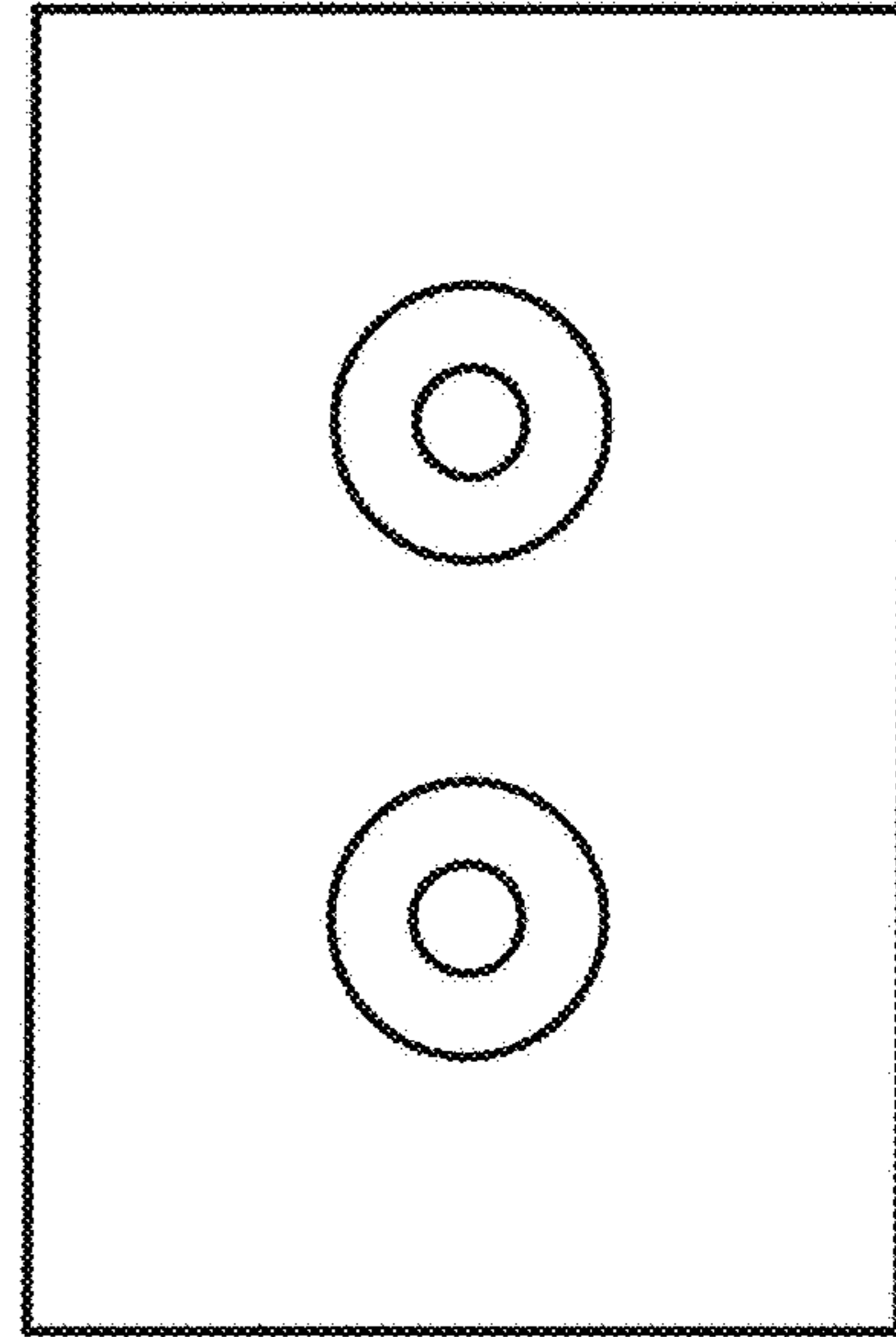


Fig. 2

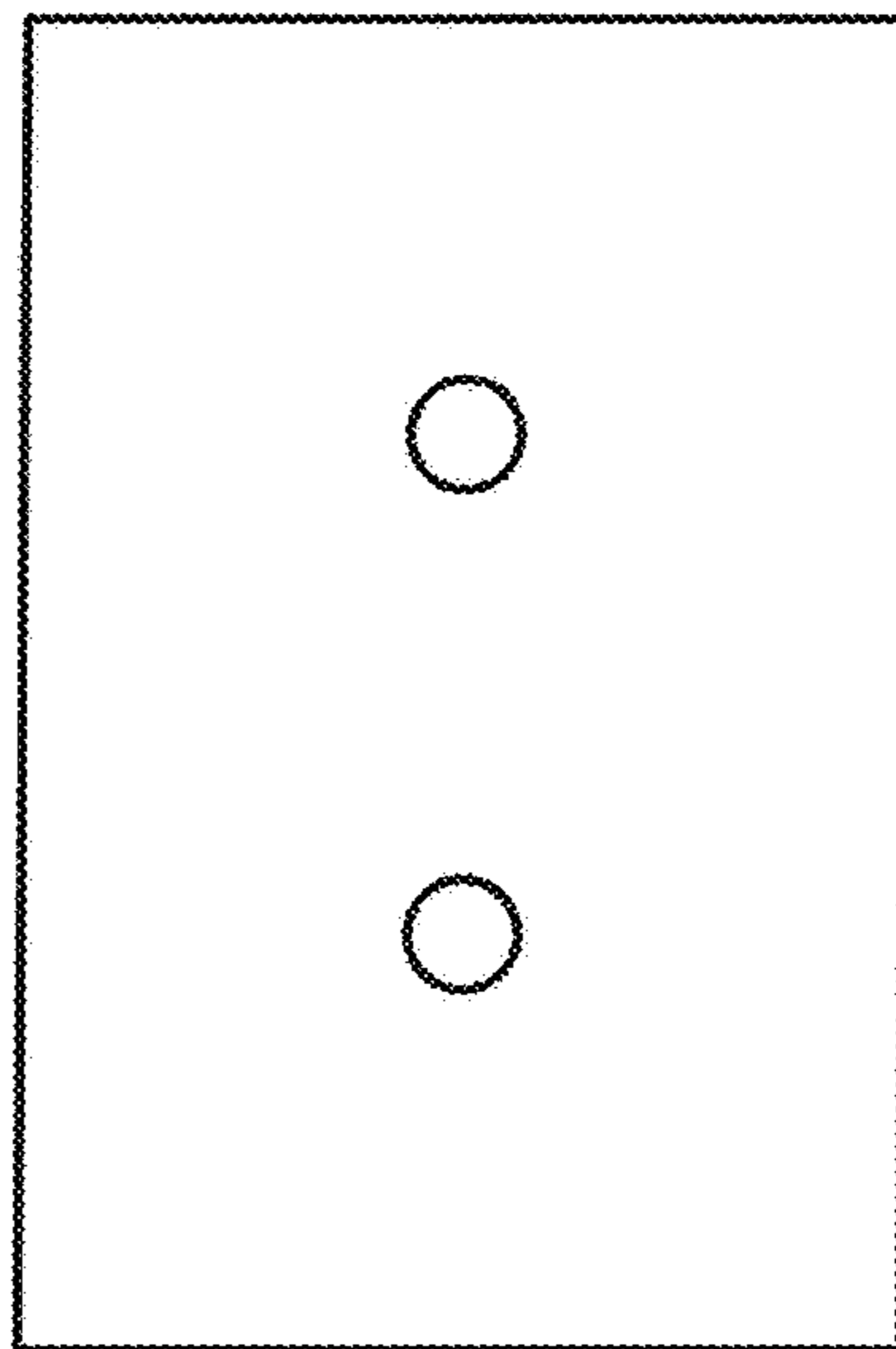


Fig. 3

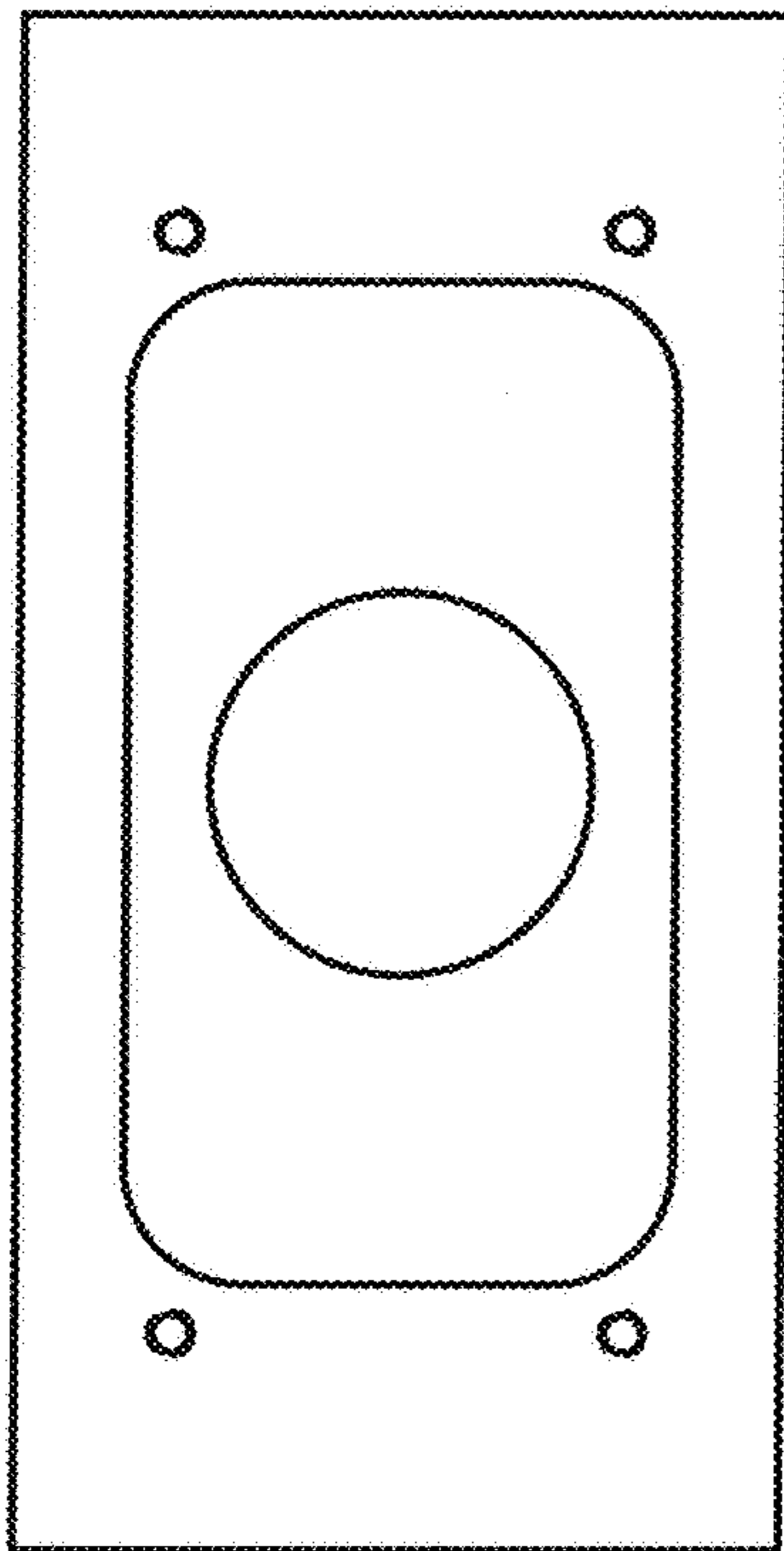


Fig. 4

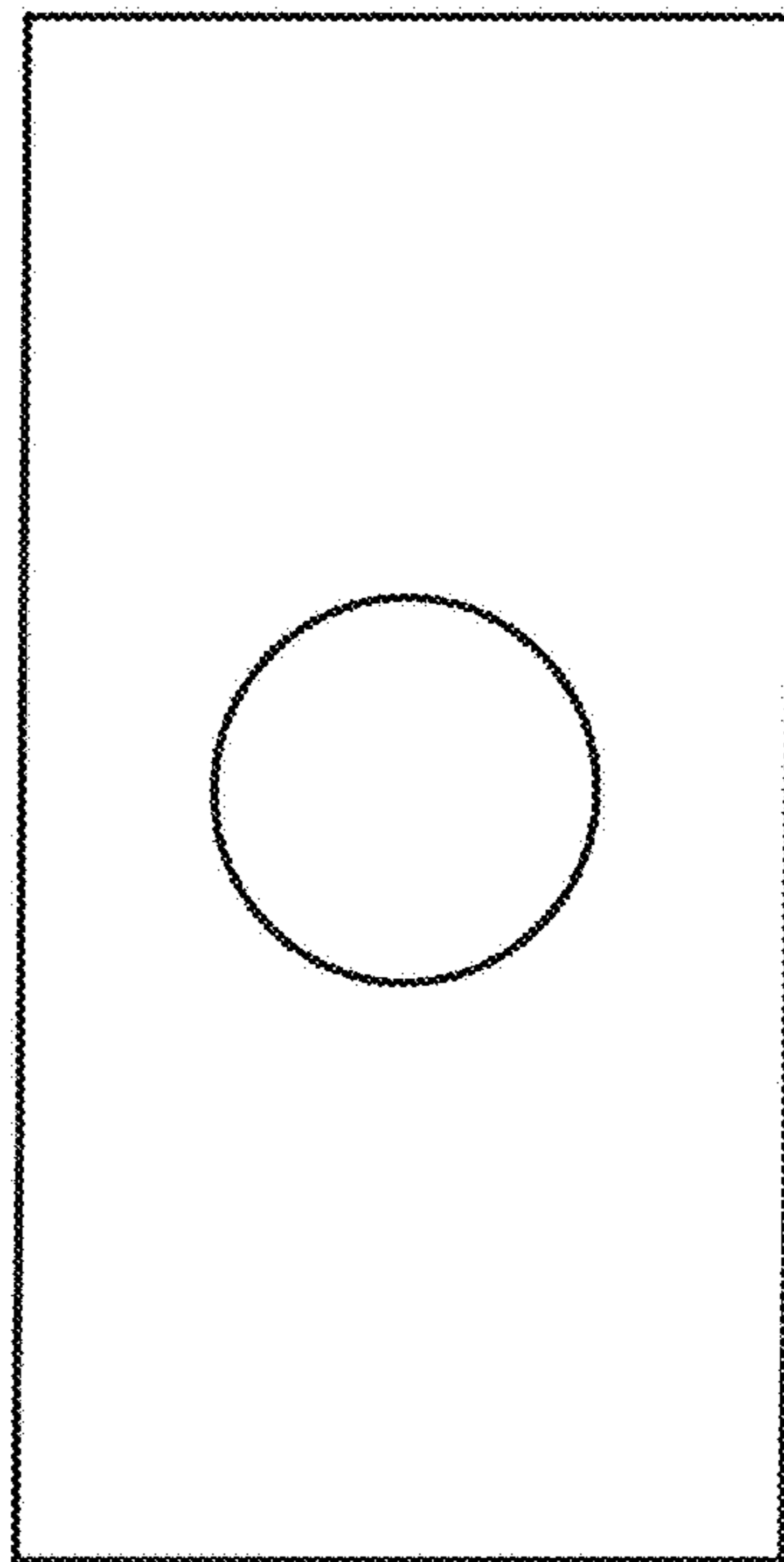


Fig. 5

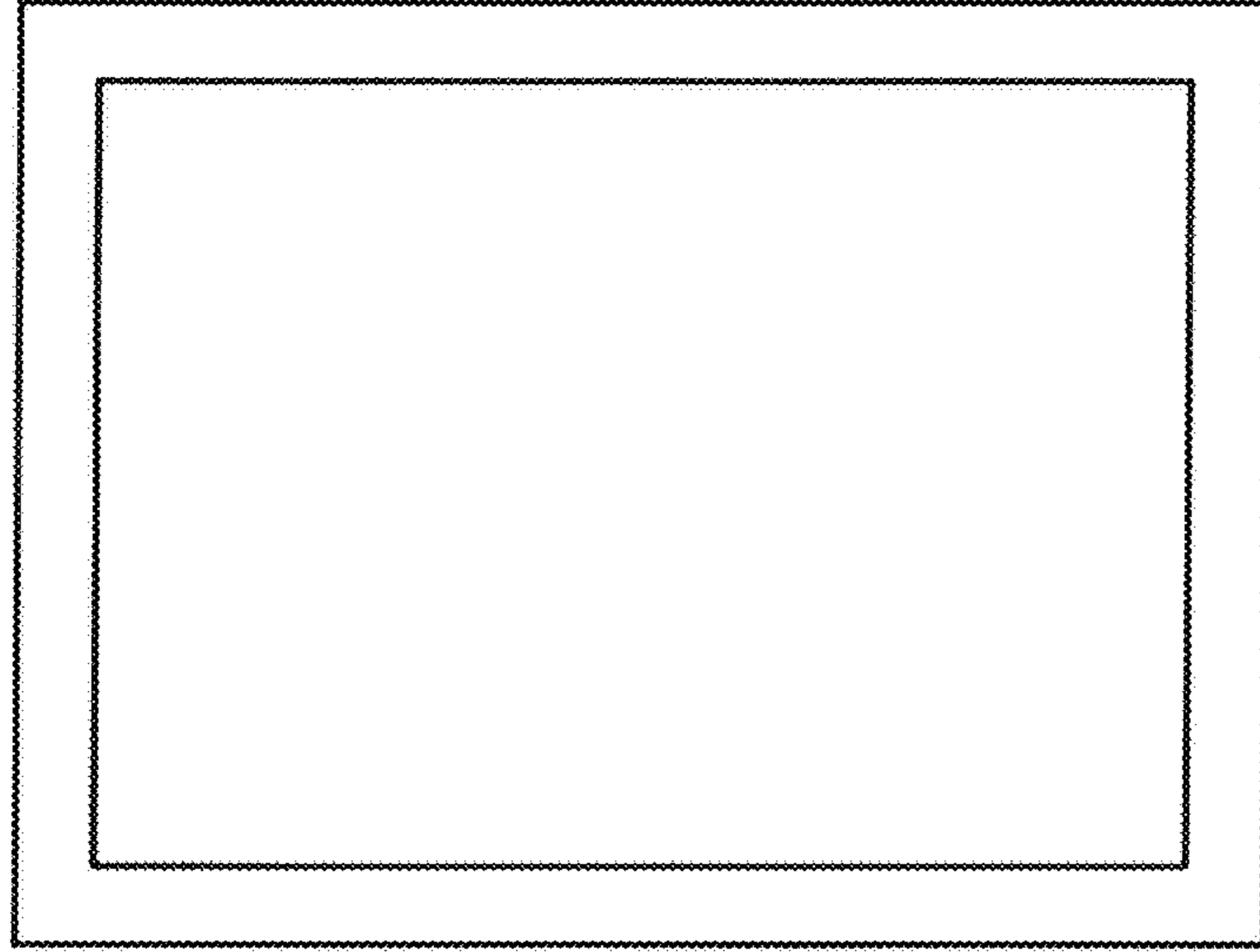


Fig. 7

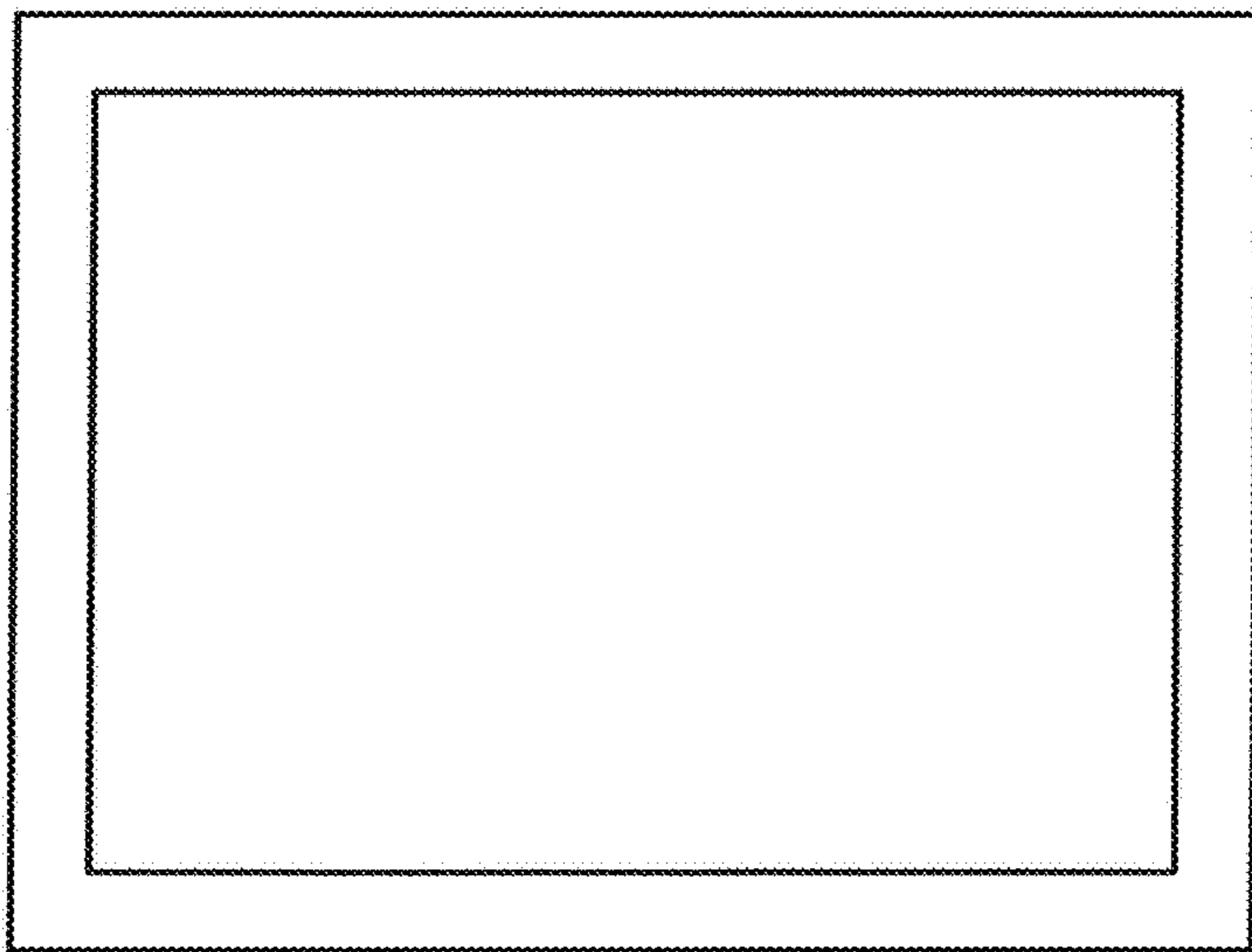


Fig. 6