

US00D924038S

(12) **United States Design Patent**
Zhao

(10) **Patent No.:** **US D924,038 S**

(45) **Date of Patent:** **** Jul. 6, 2021**

(54) **PORTABLE DOOR LOCK**

(71) Applicant: **Baoying Zhao**, Liaoyuan (CN)

(72) Inventor: **Baoying Zhao**, Liaoyuan (CN)

(**) Term: **15 Years**

(21) Appl. No.: **29/760,670**

(22) Filed: **Dec. 3, 2020**

(51) **LOC (13) Cl.** **08-07**

(52) **U.S. Cl.**
USPC **D8/340**

(58) **Field of Classification Search**
USPC D8/330, 340
CPC E05B 65/087; E05B 65/0876; E05B
65/0882; E05B 65/0894; E05B 65/0888;
E05B 65/0864; E05C 17/365; F16B
21/16; F16B 21/165
See application file for complete search history.

(56) **References Cited**

U.S. PATENT DOCUMENTS

D226,944 S * 5/1973 Bobrowski D8/340
4,105,231 A * 8/1978 Huyssen E05C 17/365
292/264

D256,551 S * 8/1980 Webb 292/264
D511,958 S * 11/2005 Mastrogiovanni D8/330
D675,900 S 2/2013 Lin
D719,436 S 12/2014 Roggero
9,127,486 B2 * 9/2015 Liang E06B 7/00

* cited by examiner

Primary Examiner — Doris Clark

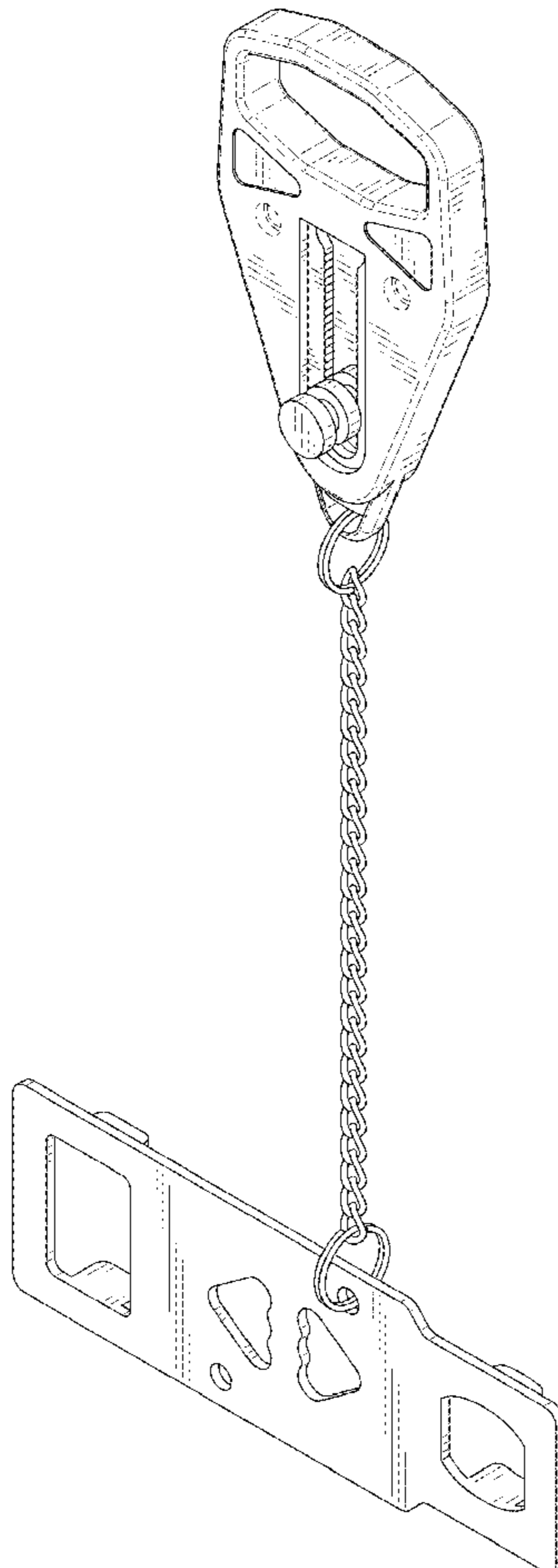
(57) **CLAIM**

The ornamental design for a portable door lock, as shown and described.

DESCRIPTION

FIG. 1 is a perspective view of a portable door lock showing my new design;
FIG. 2 is another perspective view thereof;
FIG. 3 is a front elevational view thereof;
FIG. 4 is a rear elevational view thereof;
FIG. 5 is a left side elevational view thereof;
FIG. 6 is a right side elevational view thereof;
FIG. 7 is a top plan view thereof;
FIG. 8 is a bottom plan view thereof; and,
FIG. 9 is an enlarged view of portion 9 shown in FIG. 2.
The broken lines in the drawings depict portions of the portable door lock that form no part of the claimed design.

1 Claim, 9 Drawing Sheets



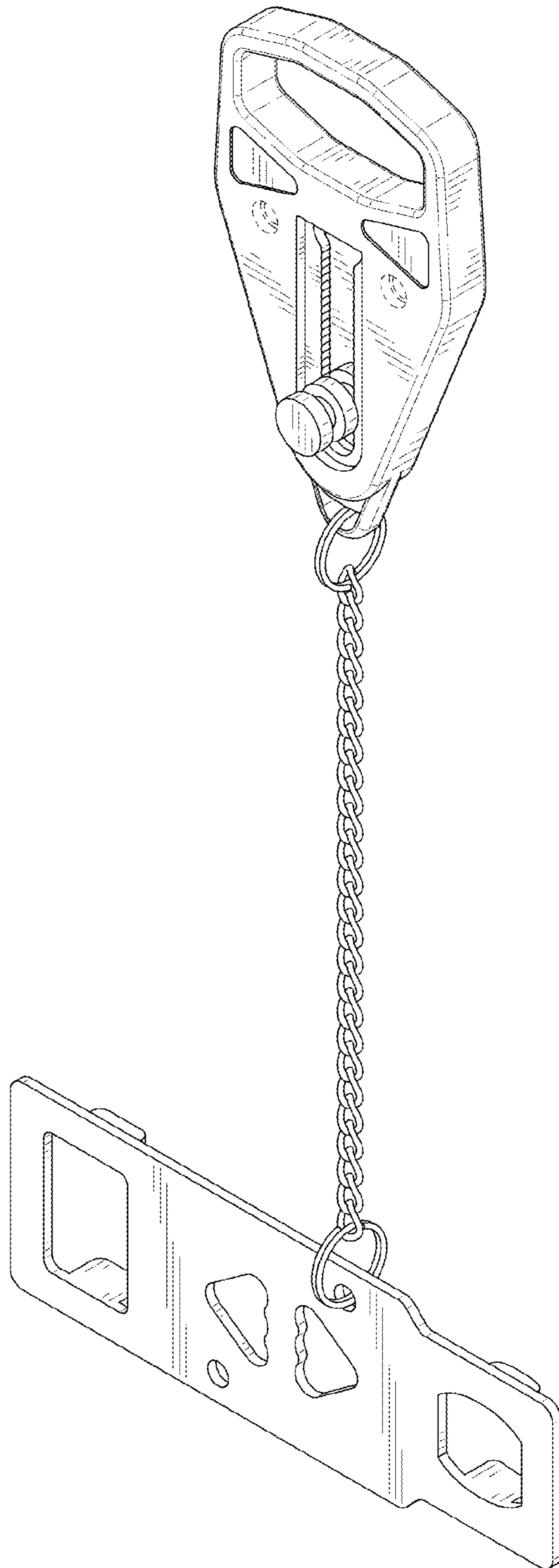


FIG. 1

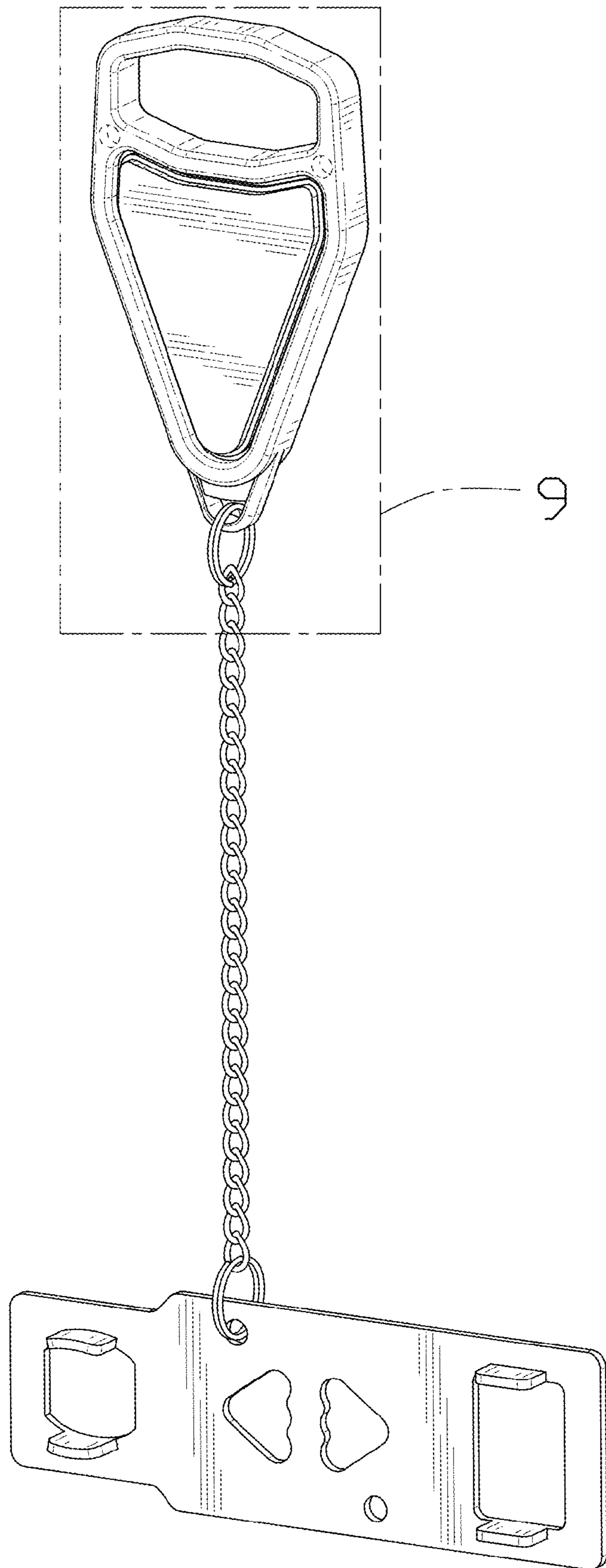


FIG. 2

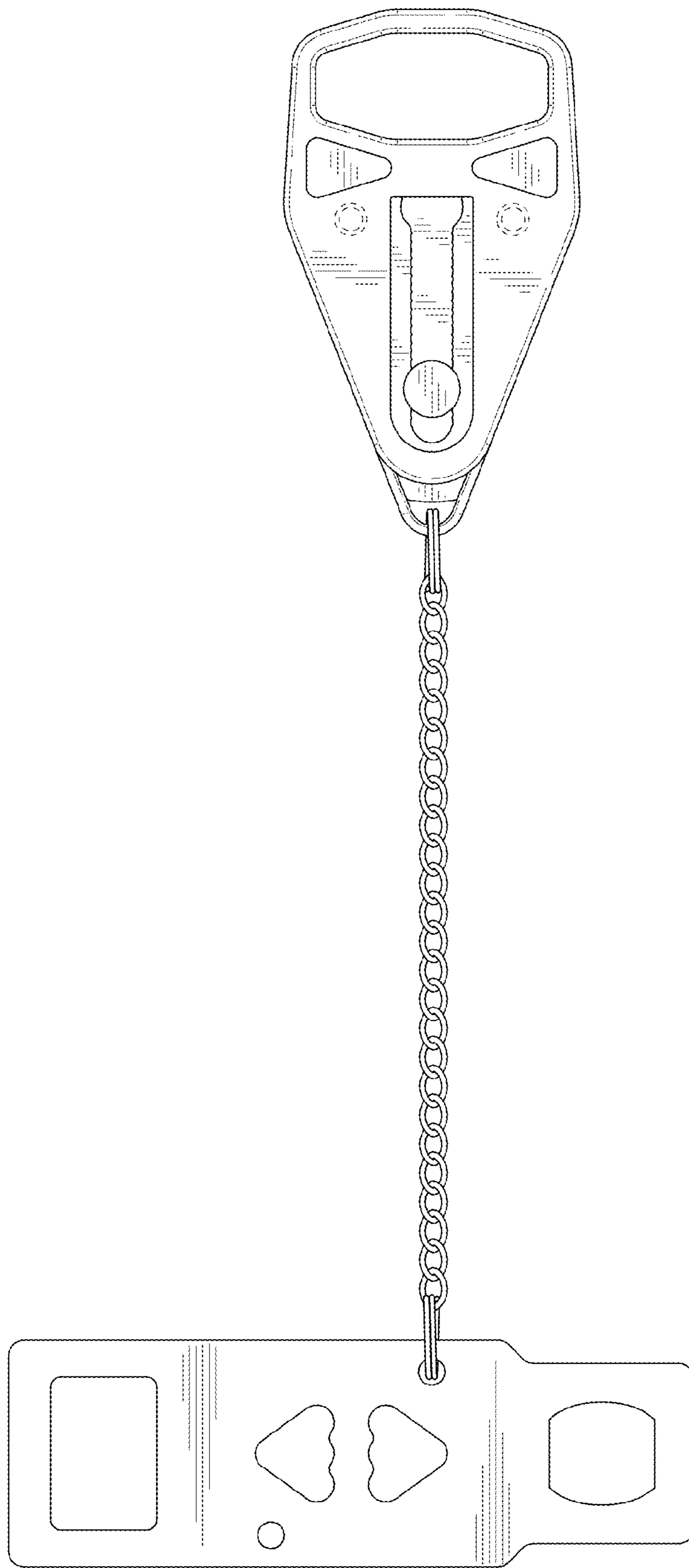


FIG. 3

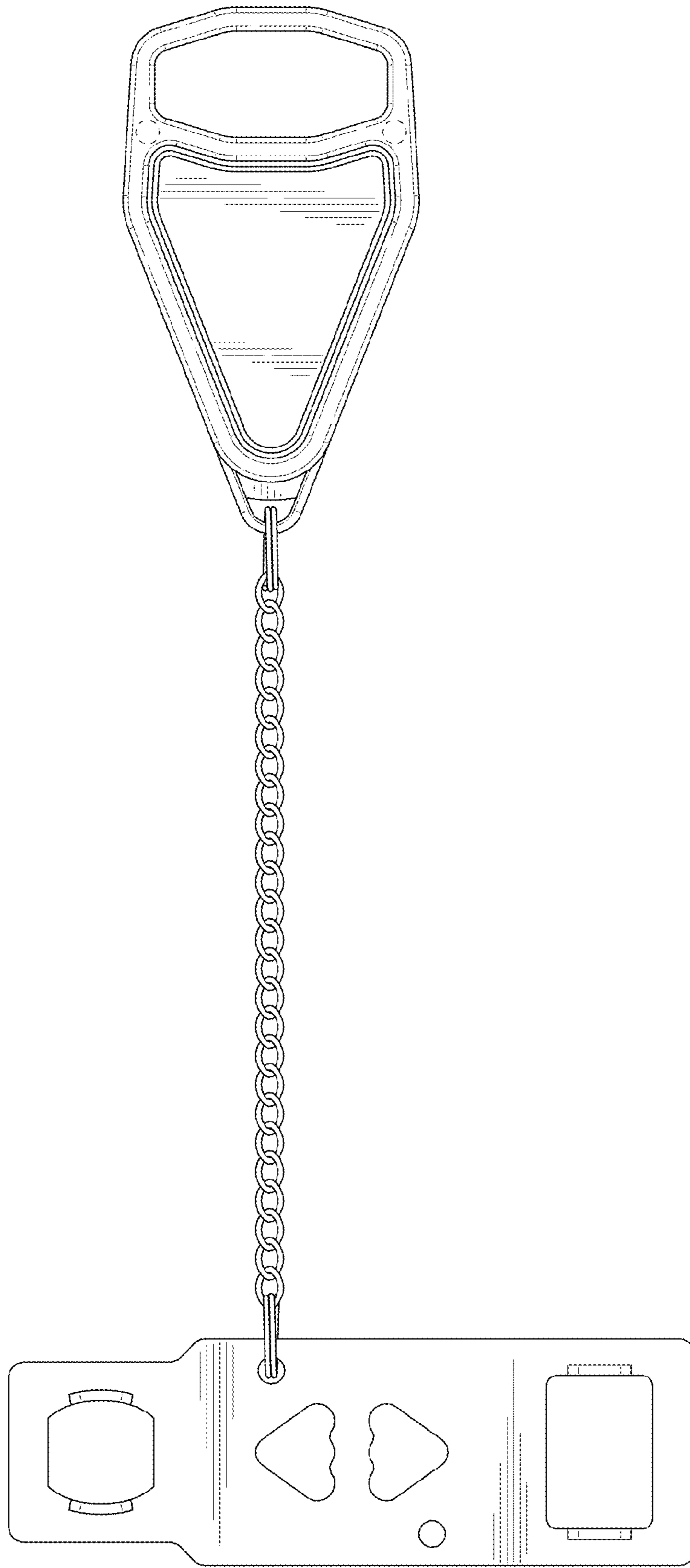


FIG. 4

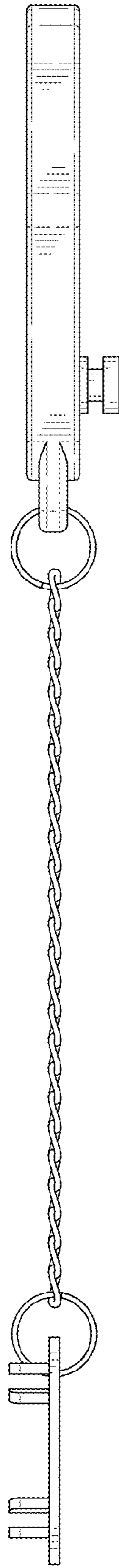


FIG. 5

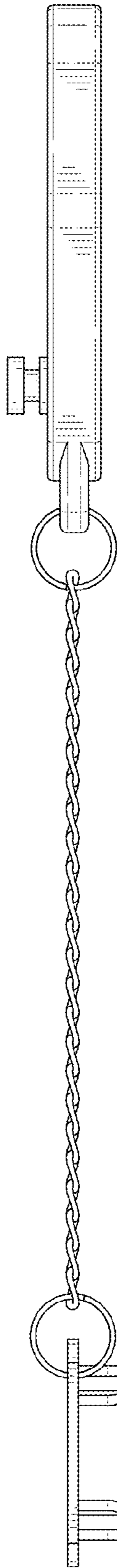


FIG. 6

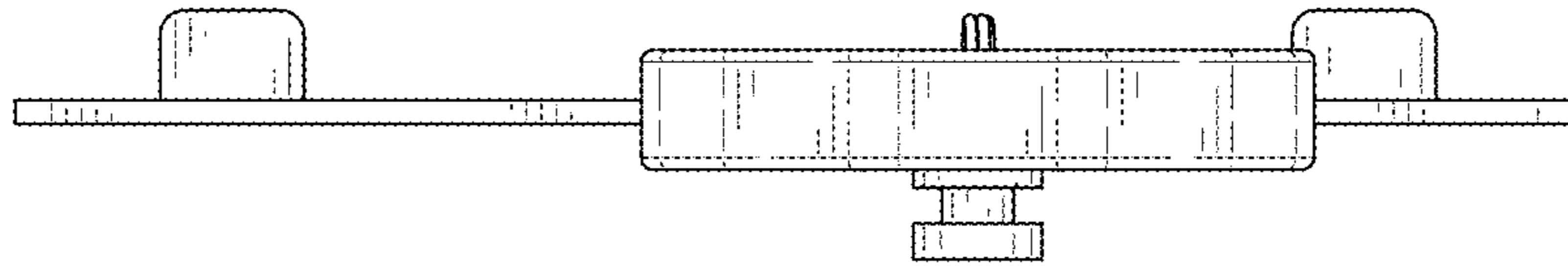


FIG. 7

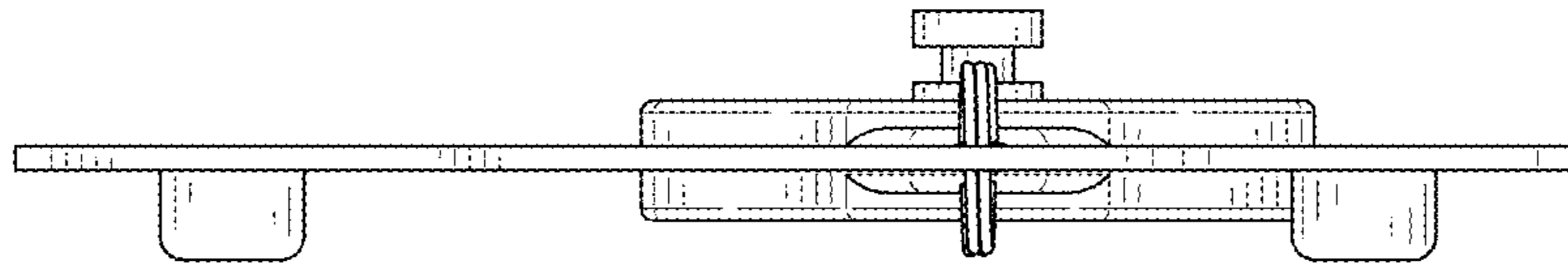


FIG. 8

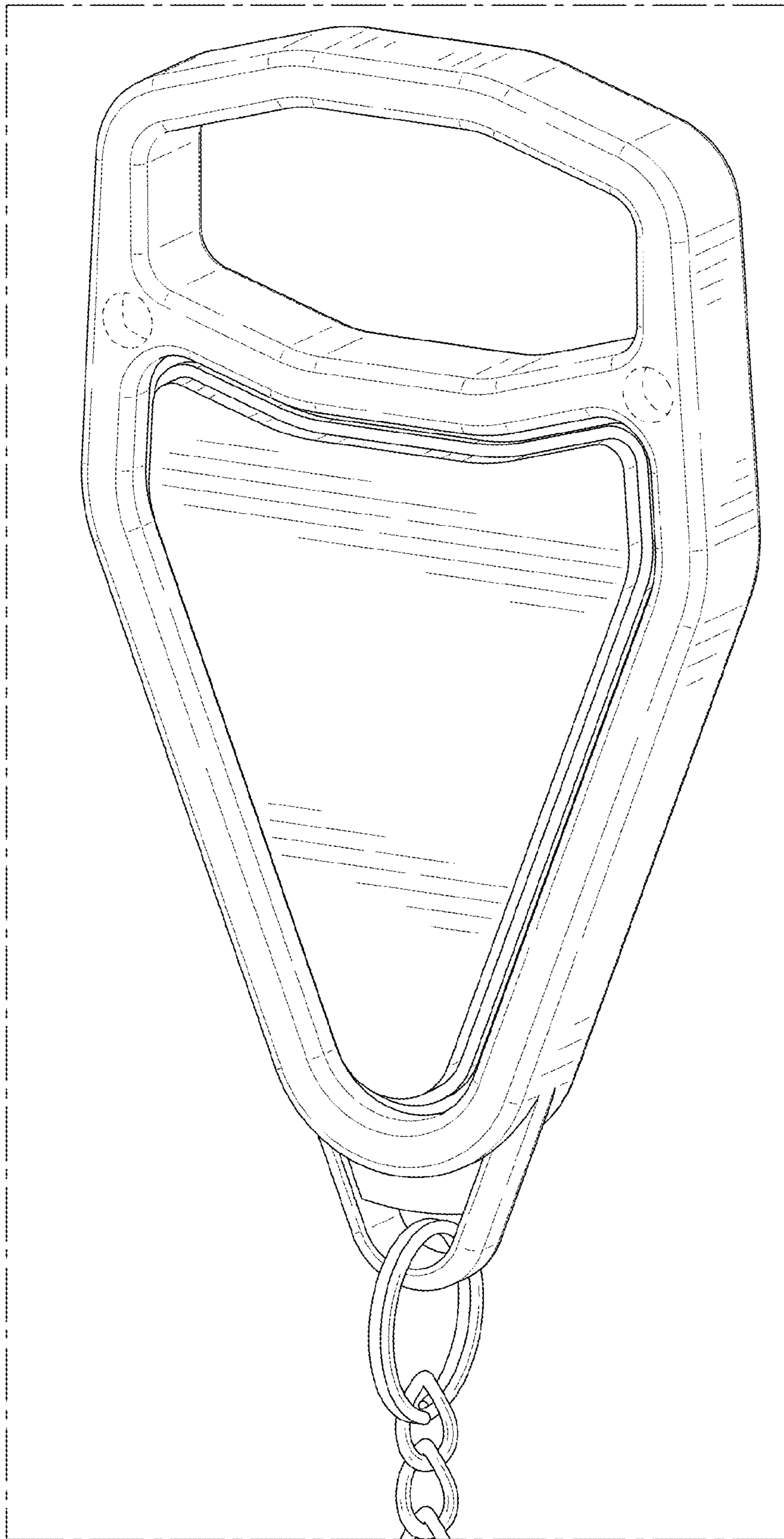


FIG. 9