

US00D924036S

(12) **United States Design Patent** (10) **Patent No.:** **US D924,036 S**
Hall (45) **Date of Patent:** **** Jul. 6, 2021**

(54) **THUMB TURN HANDLE**
(71) Applicant: **KINGSWAY ENTERPRISES (UK) LIMITED**, Swanley (GB)
(72) Inventor: **Benjamin Hall**, Swanley (GB)
(73) Assignee: **Kingsway Enterprises (UK) Limited**, Kent (GB)
(**) Term: **15 Years**
(21) Appl. No.: **29/695,544**
(22) Filed: **Jun. 20, 2019**

(30) **Foreign Application Priority Data**

May 8, 2019 (GB) 6060192

(51) **LOC (13) Cl.** **08-06**

(52) **U.S. Cl.**
USPC **D8/321**

(58) **Field of Classification Search**
USPC D8/311, 348, 331, 321; D11/202, 203, D11/206, 207, 212, 231, 89, 85; D21/400, 455, 679; D13/174
CPC G05G 1/08; H01H 23/12; H01H 35/02; H01H 9/0207; A47G 19/2272
See application file for complete search history.

(56) **References Cited**

U.S. PATENT DOCUMENTS

D165,119 S * 11/1951 Stuman D8/311
D205,846 S * 9/1966 Scott D8/311
D433,920 S * 11/2000 Chang D8/331
D450,997 S * 11/2001 Brady D8/311
D563,757 S * 3/2008 Cruver, IV D8/310
D806,511 S * 1/2018 Yuan D8/311
D833,251 S * 11/2018 Hall D8/311

D885,865 S * 6/2020 Laurans D8/331
D887,248 S * 6/2020 Laurans D8/331
D887,249 S * 6/2020 Laurans D8/331
D888,537 S * 6/2020 Laurans D8/331
D893,980 S * 8/2020 Yungbluth D8/311
D896,614 S * 9/2020 Liao D8/331
D904,158 S * 12/2020 Yungbluth D8/311
2016/0042581 A1 * 2/2016 Ku G07C 9/00309
340/5.61
2020/0181945 A1 * 6/2020 Zhao E05B 47/0012
2020/0181946 A1 * 6/2020 Laurans E05B 47/0012
2020/0270904 A1 * 8/2020 Lee E05B 1/003

FOREIGN PATENT DOCUMENTS

GB 3011600 3/2003

* cited by examiner

Primary Examiner — Susan Bennett Hattan

Assistant Examiner — Elizabeth S Ko

(74) *Attorney, Agent, or Firm* — Erise IP, P.A.

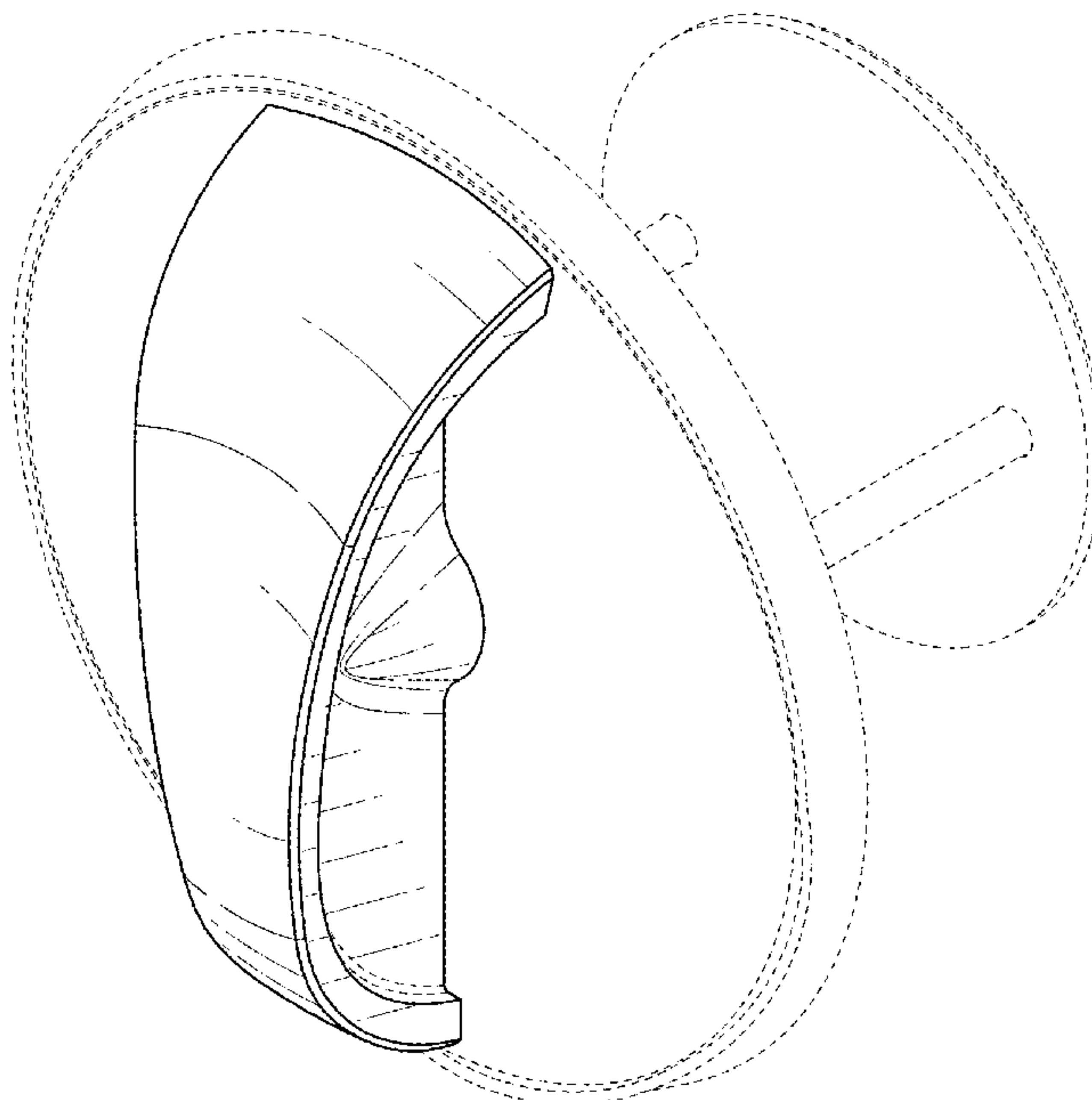
(57) **CLAIM**

The ornamental design for a thumb turn handle, as shown and described.

DESCRIPTION

FIG. 1 is a perspective view of a thumb turn handle embodying the design;
FIG. 2 is a front view thereof;
FIG. 3 is a rear view thereof;
FIG. 4 is a left side view thereof;
FIG. 5 is a right side view thereof;
FIG. 6 is a top view thereof; and,
FIG. 7 is a bottom view thereof.
The broken lines in the drawings depict parts of the article that form no part of the claimed design.

1 Claim, 7 Drawing Sheets



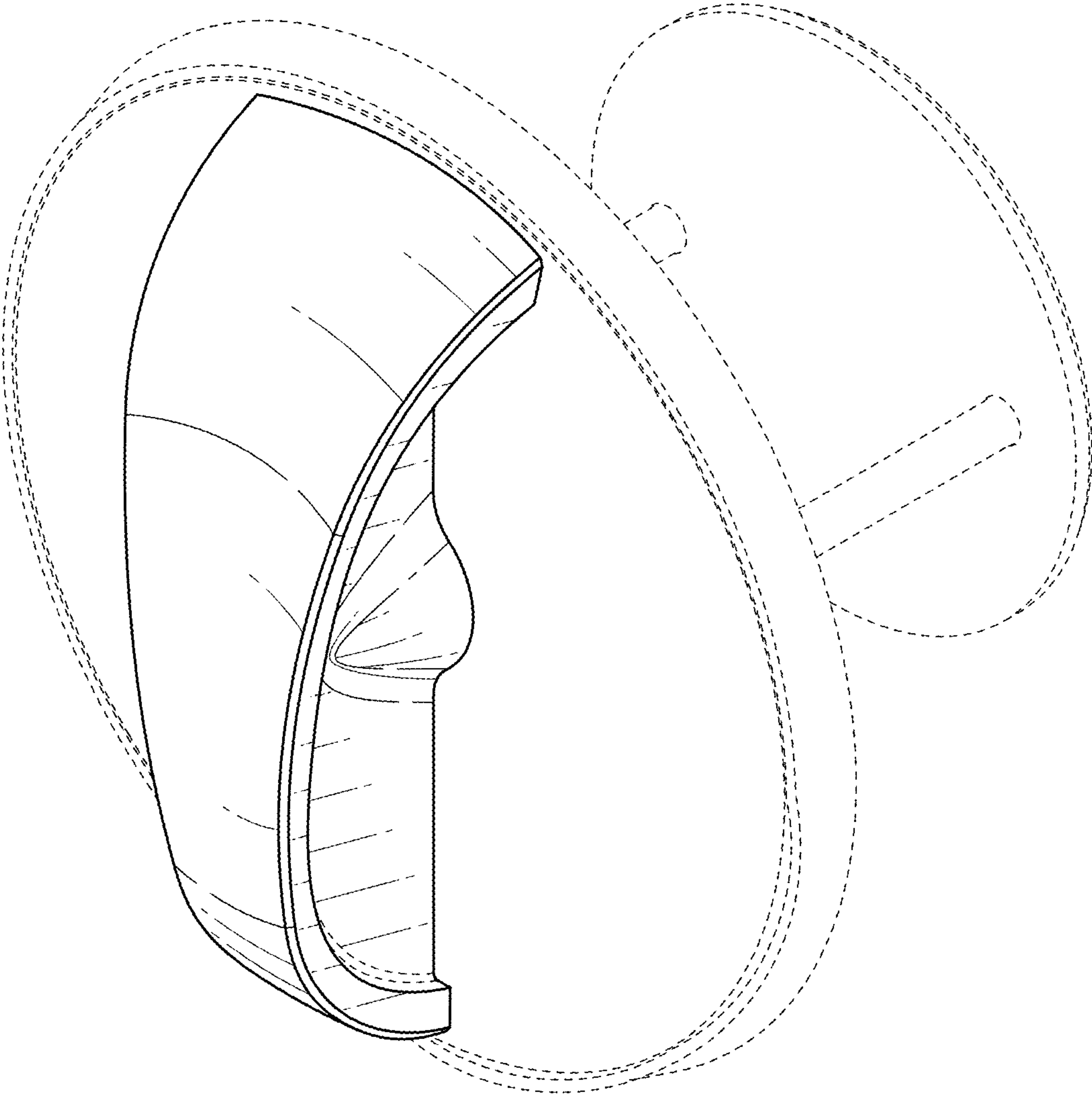


FIG. 1

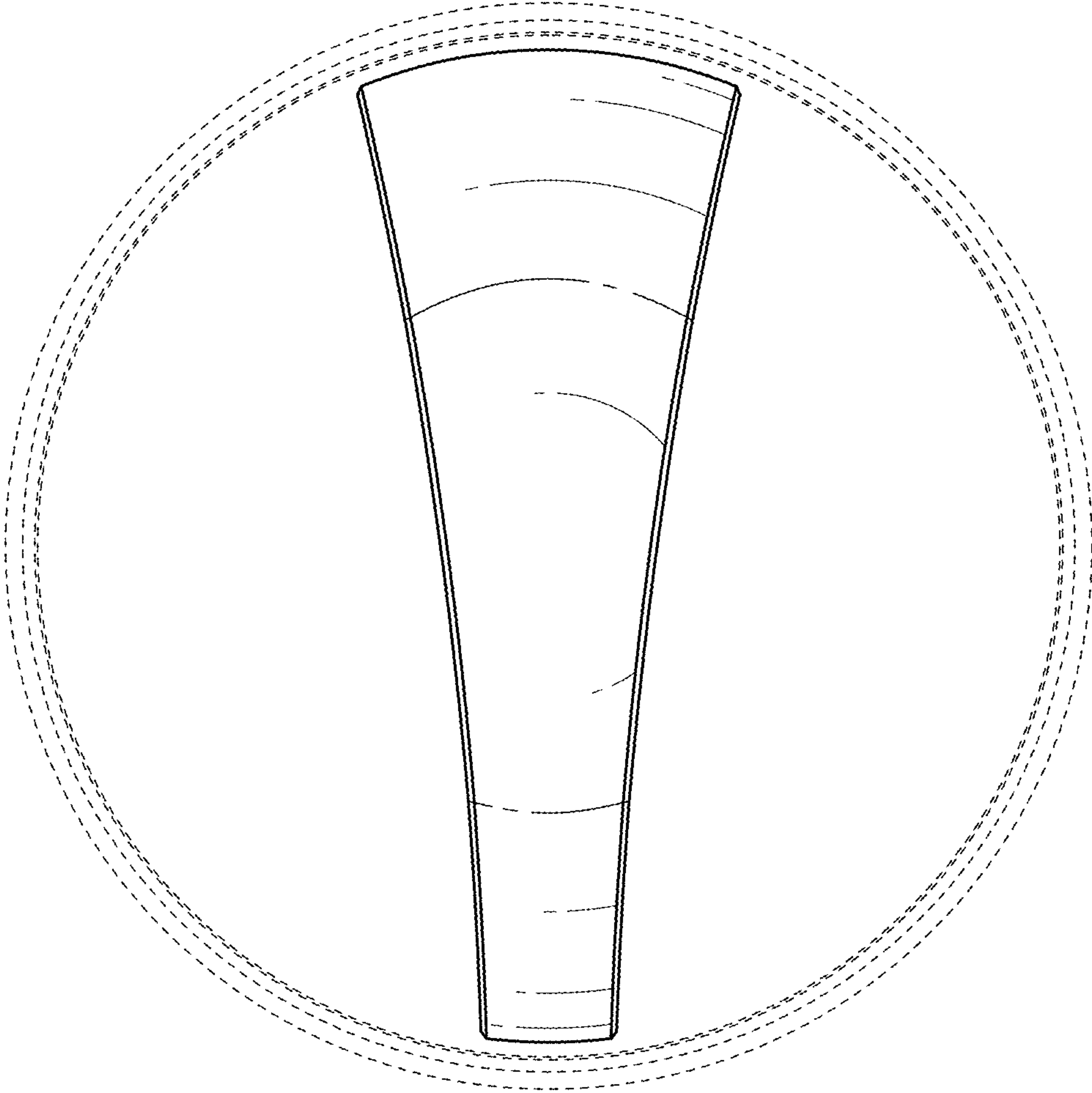


FIG. 2

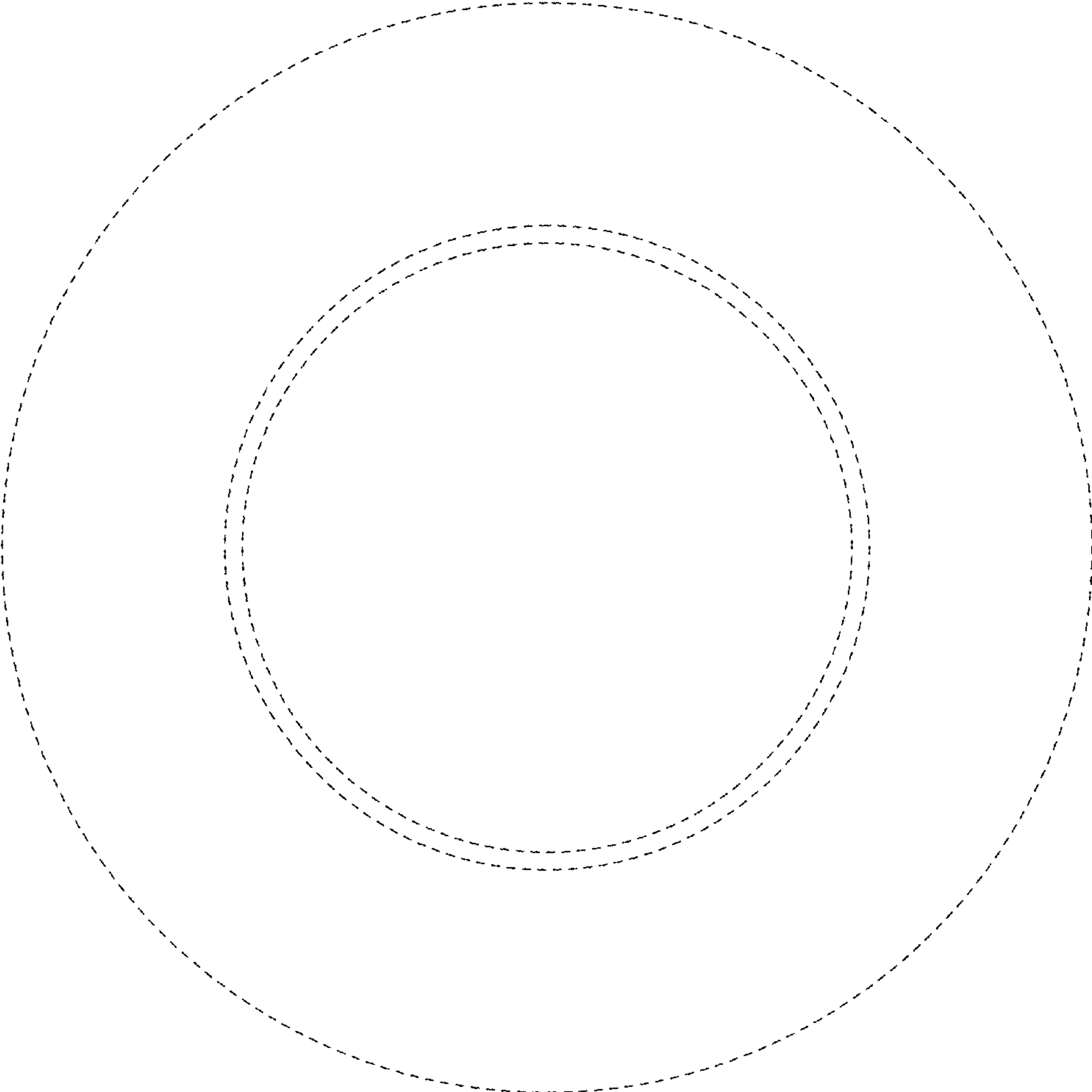


FIG. 3

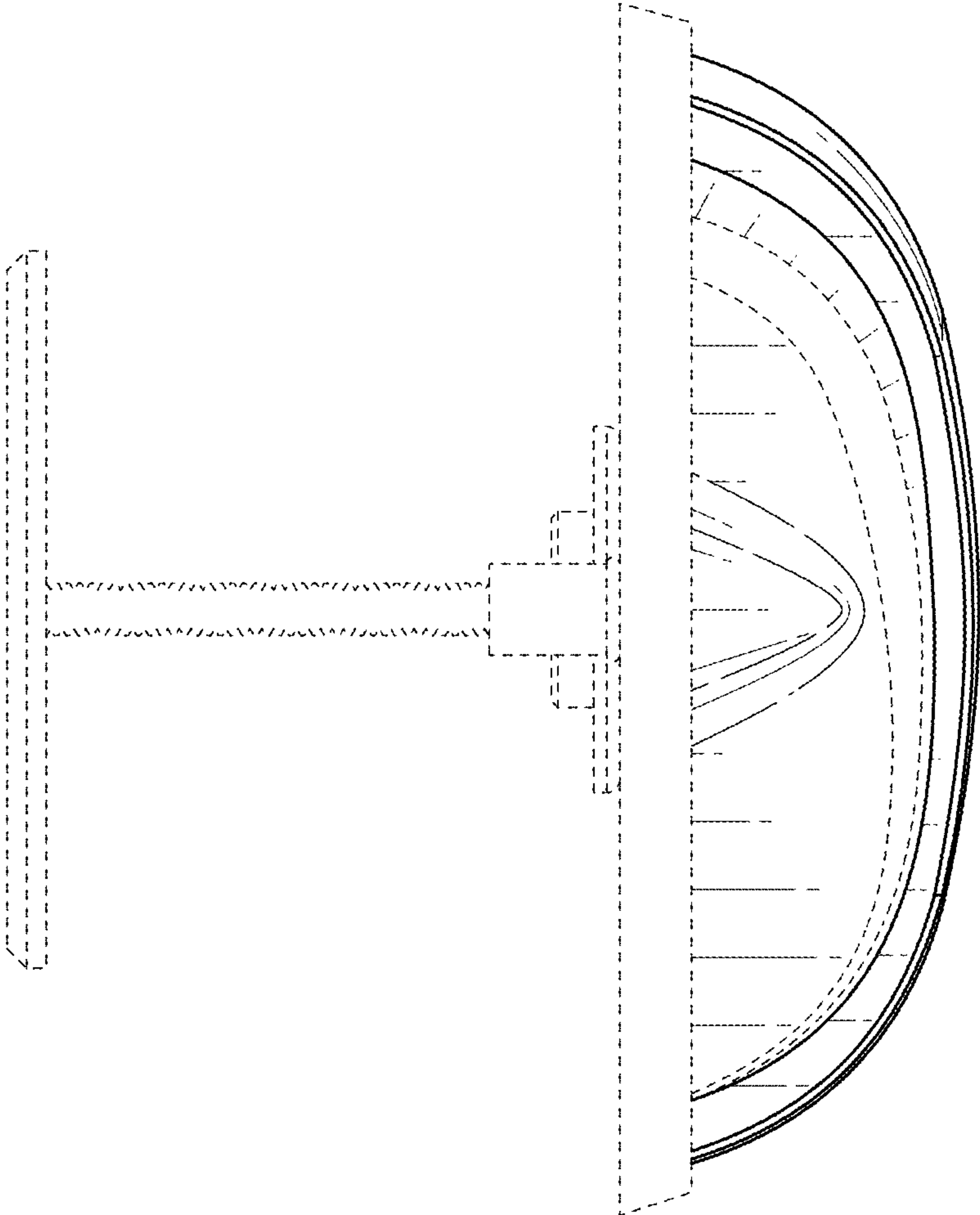


FIG. 4

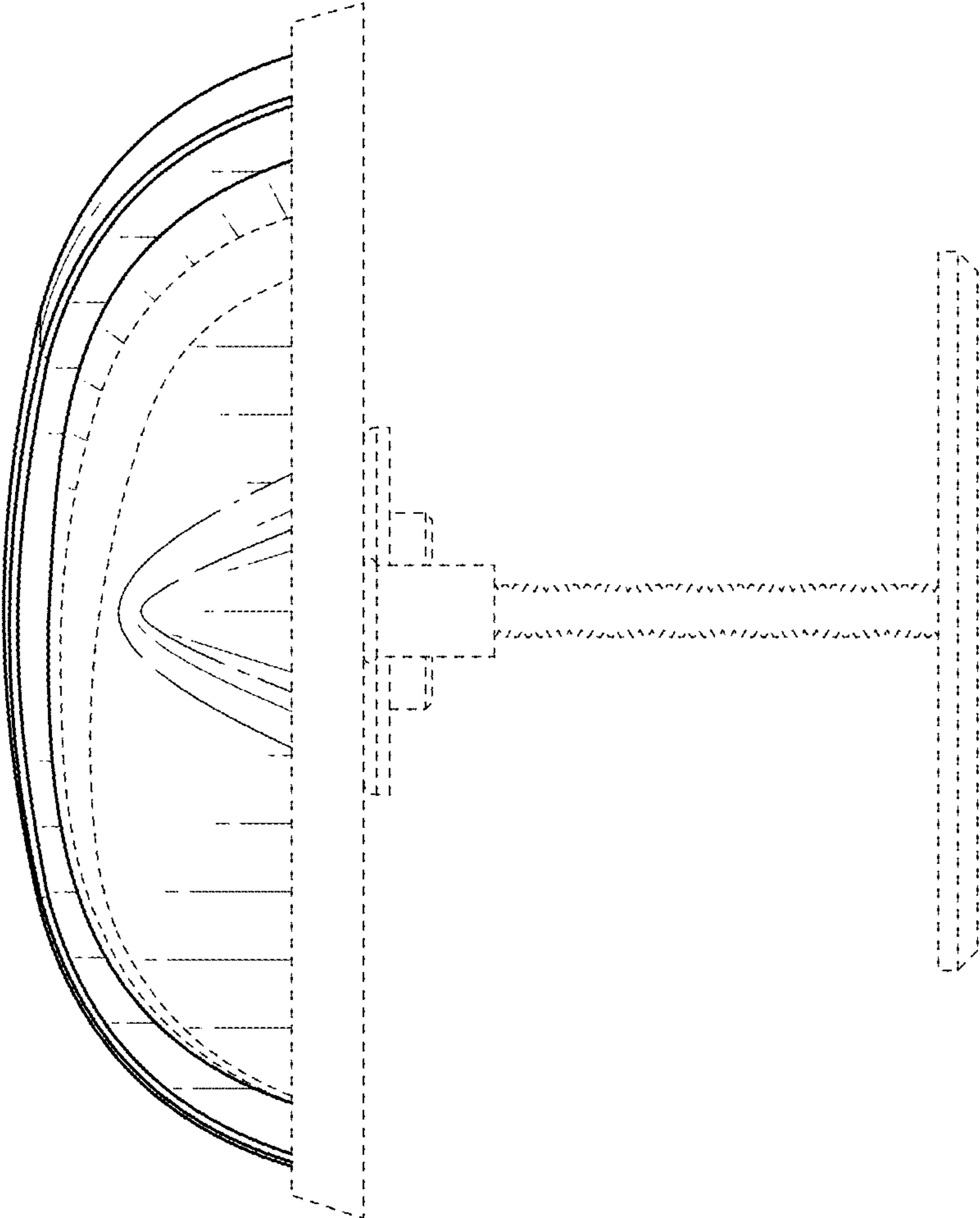


FIG. 5

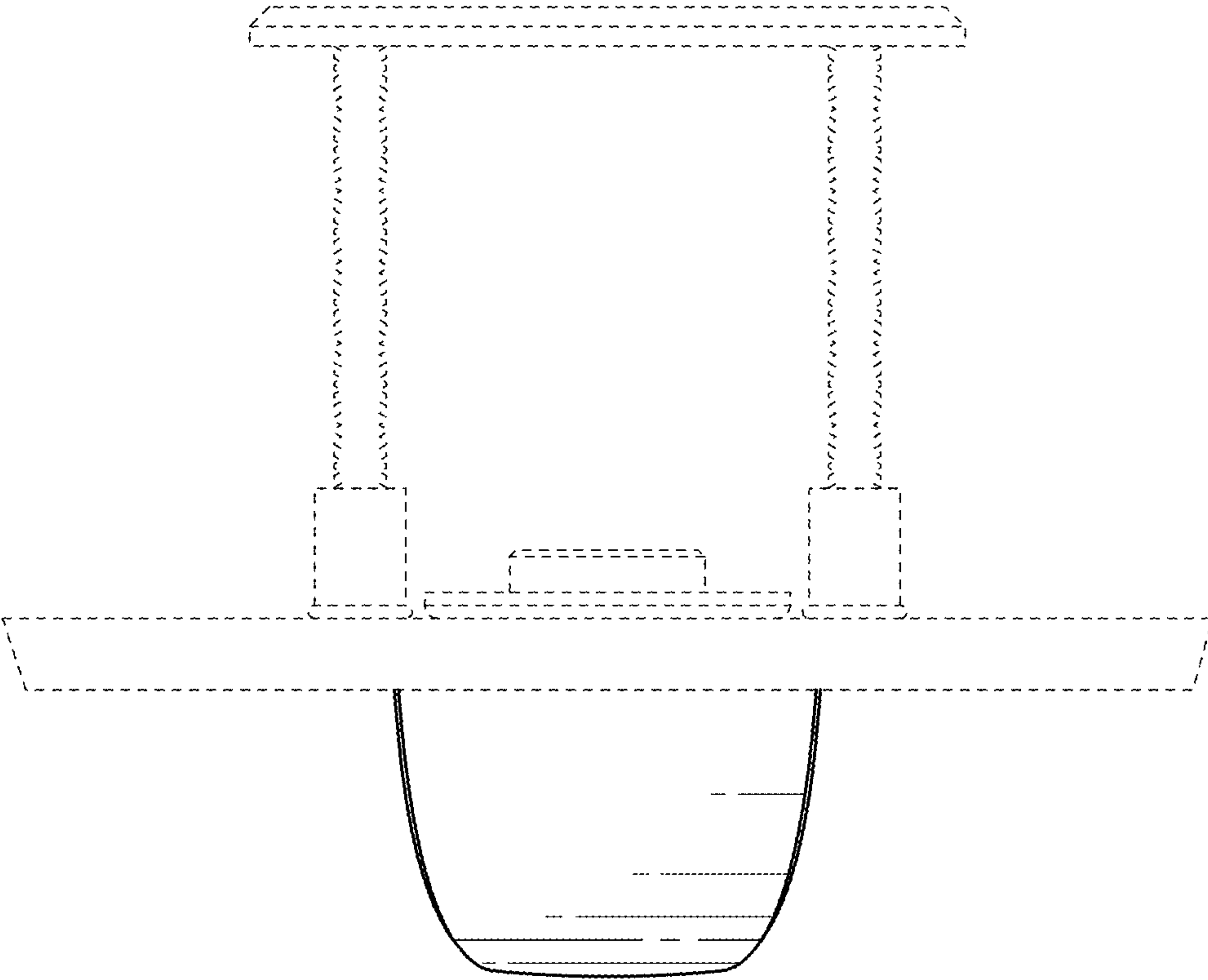


FIG. 6

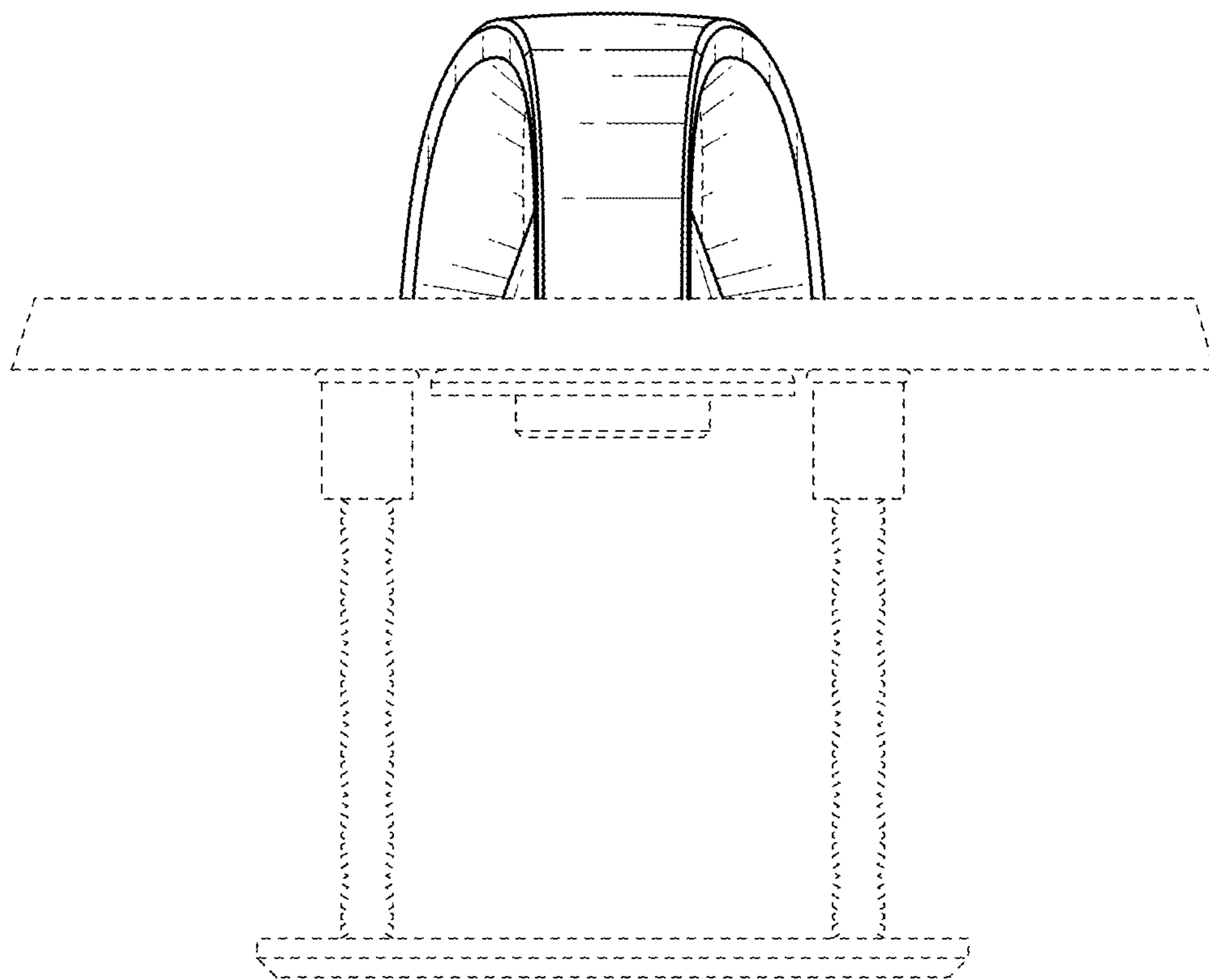


FIG. 7