



US00D924035S

(12) **United States Design Patent** (10) **Patent No.:** **US D924,035 S**  
**Lazarini et al.** (45) **Date of Patent:** **\*\* Jul. 6, 2021**

(54) **KNOB**

(71) Applicant: **DELTA FAUCET COMPANY**,  
Indianapolis, IN (US)

(72) Inventors: **Alejandra Lazarini**, Carmel, IN (US);  
**Anthony G. Spangler**, Indianapolis, IN  
(US)

(73) Assignee: **DELTA FAUCET COMPANY**,  
Indianapolis, IN (US)

(\*\*) Term: **15 Years**

(21) Appl. No.: **29/712,981**

(22) Filed: **Nov. 13, 2019**

(51) **LOC (13) Cl.** ..... **08-06**

(52) **U.S. Cl.**  
USPC ..... **D8/307**

(58) **Field of Classification Search**  
USPC ..... D8/300, 307, 310; D7/393; D23/250,  
D23/252, 254  
CPC ... Y10T 292/57; Y10T 16/469; Y10T 292/82;  
Y10T 74/2084; Y10T 292/85; Y10T  
16/458; Y10T 16/506; Y10T 70/5155;  
Y10T 16/46; Y10T 16/4559; Y10T  
74/20828; Y10T 70/8541; Y10T  
74/20612; Y10T 16/459; Y10T 16/487;  
Y10T 70/5389; Y10T 16/462; Y10T  
16/4636; E05B 1/0007; E05B 3/00; Y10S  
16/30; Y10S 292/53; Y10S 292/27

See application file for complete search history.

(56) **References Cited**

U.S. PATENT DOCUMENTS

D64,095 S *	2/1924	Yates	.....	D8/307
D85,771 S *	12/1931	Ruppel	.....	D8/311
2,190,192 A *	2/1940	Raymond	.....	E05B 1/0015 16/417
D231,598 S *	5/1974	Northrup	.....	D8/302
D451,780 S *	12/2001	Laabs	.....	D8/307
D613,823 S *	4/2010	Sofield	.....	D23/250
D617,605 S *	6/2010	Munari	.....	D7/393
D875,894 S *	2/2020	Eads	.....	D23/253
D899,889 S *	10/2020	Eads	.....	D8/307

\* cited by examiner

*Primary Examiner* — Lauren R Calve

(74) *Attorney, Agent, or Firm* — Nirav D. Parikh; Edgar  
A. Zarins

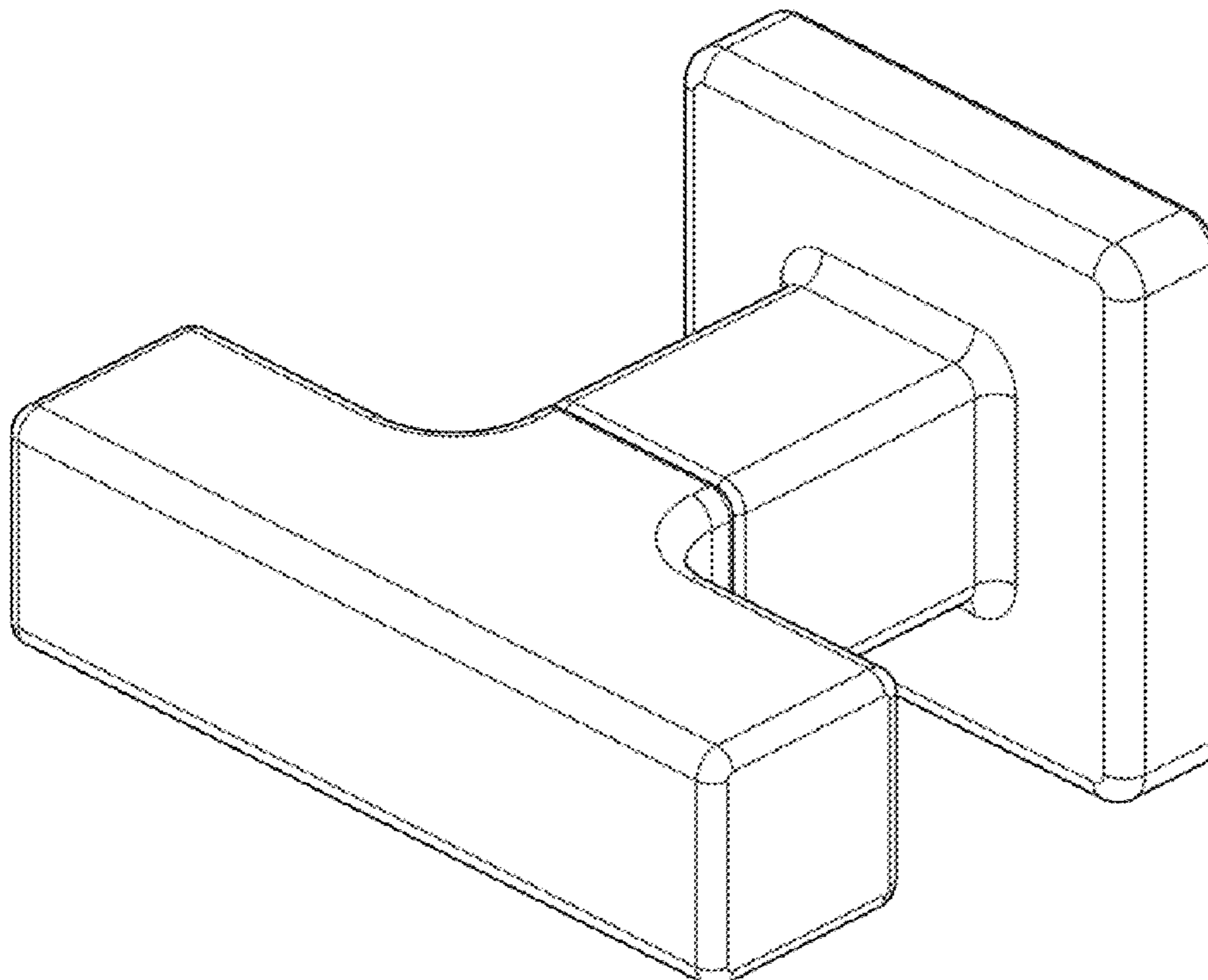
(57) **CLAIM**

The ornamental design for a knob, as shown and described.

**DESCRIPTION**

FIG. 1 is a front perspective view of a knob showing our new design;  
 FIG. 2 is a rear perspective view thereof;  
 FIG. 3 is a front elevational view thereof;  
 FIG. 4 is a left side view thereof;  
 FIG. 5 is a rear view thereof;  
 FIG. 6 is a right side view thereof;  
 FIG. 7 is a top plan view thereof; and,  
 FIG. 8 is a bottom plan view thereof.

**1 Claim, 4 Drawing Sheets**



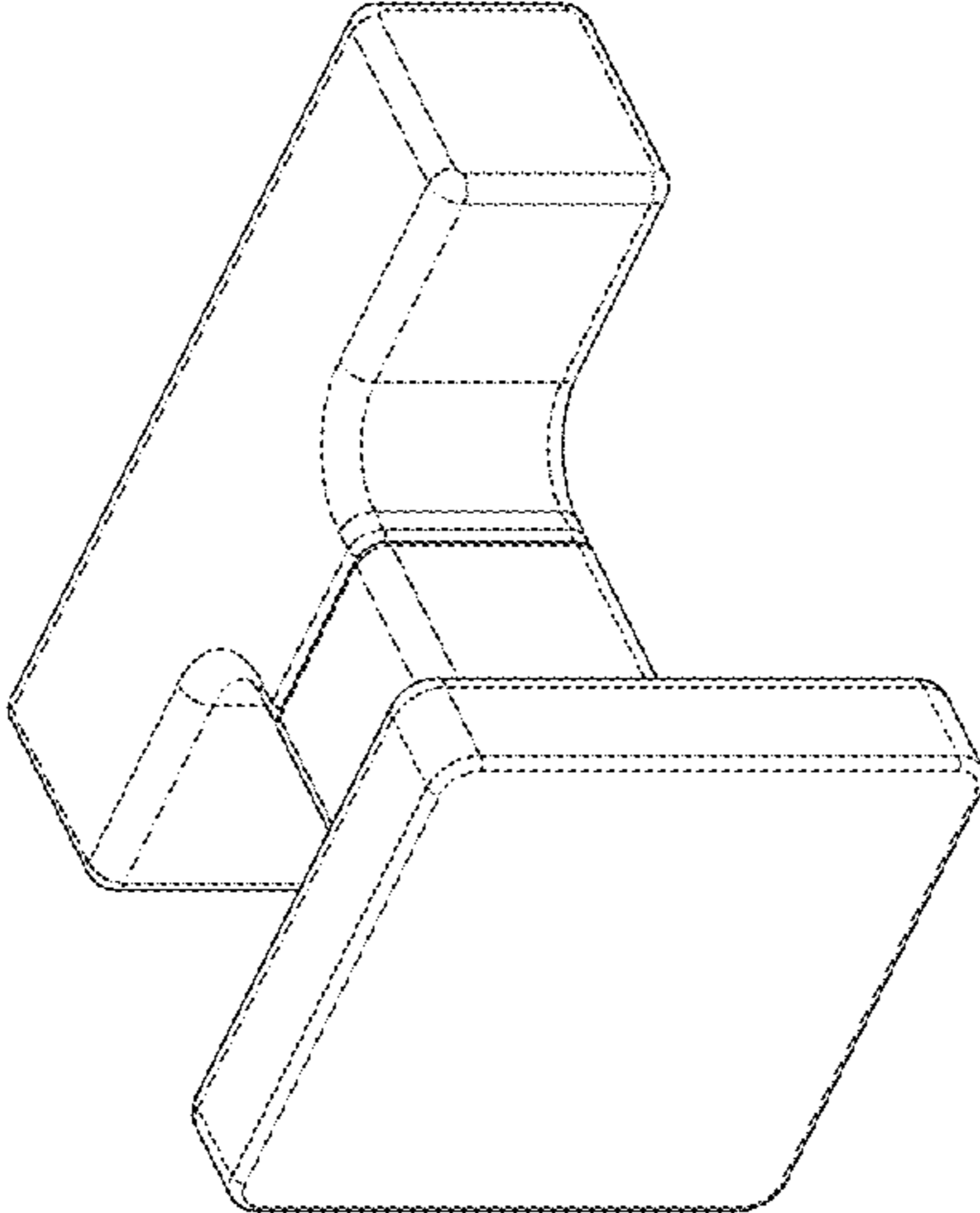


FIG - 2

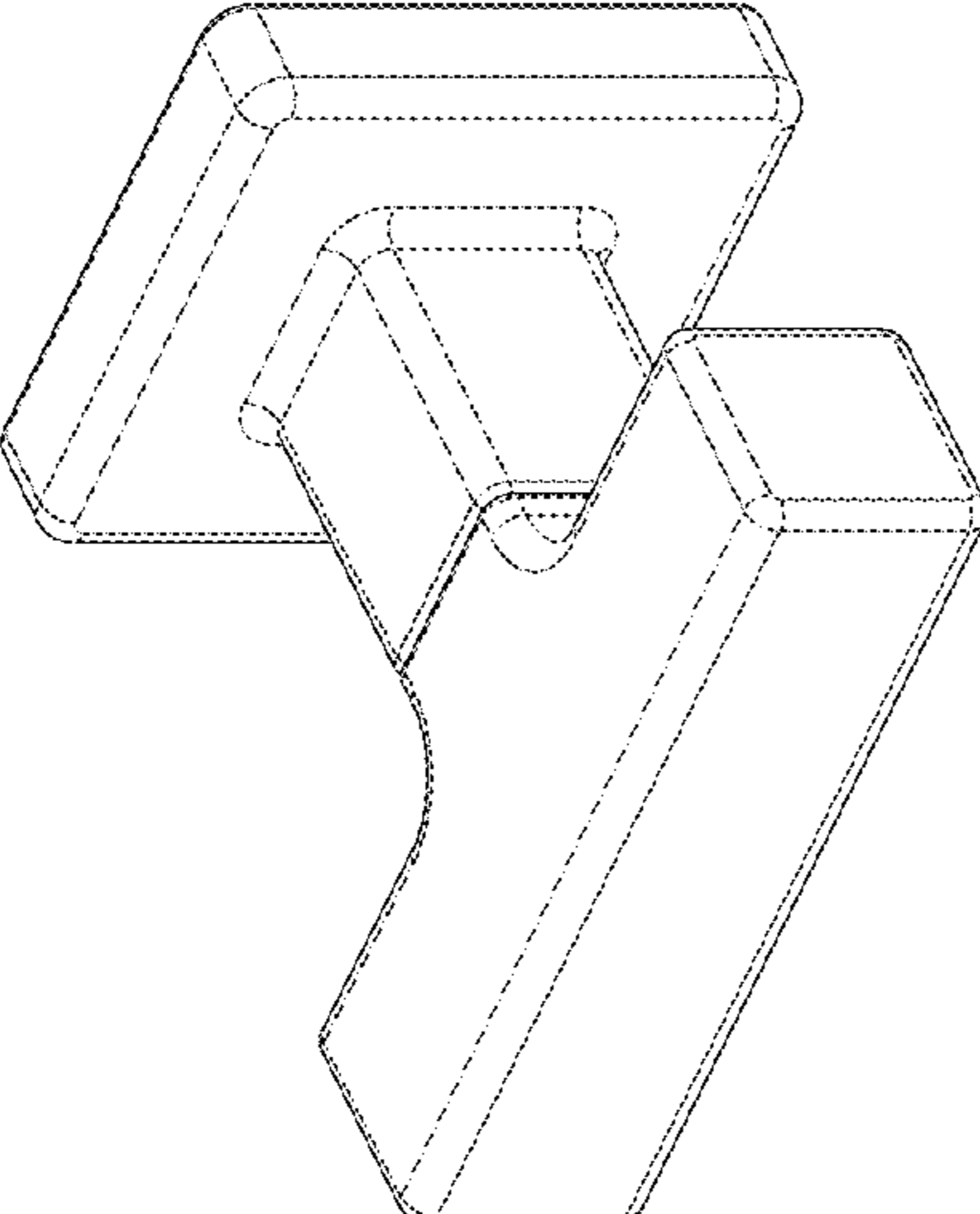


FIG - 1

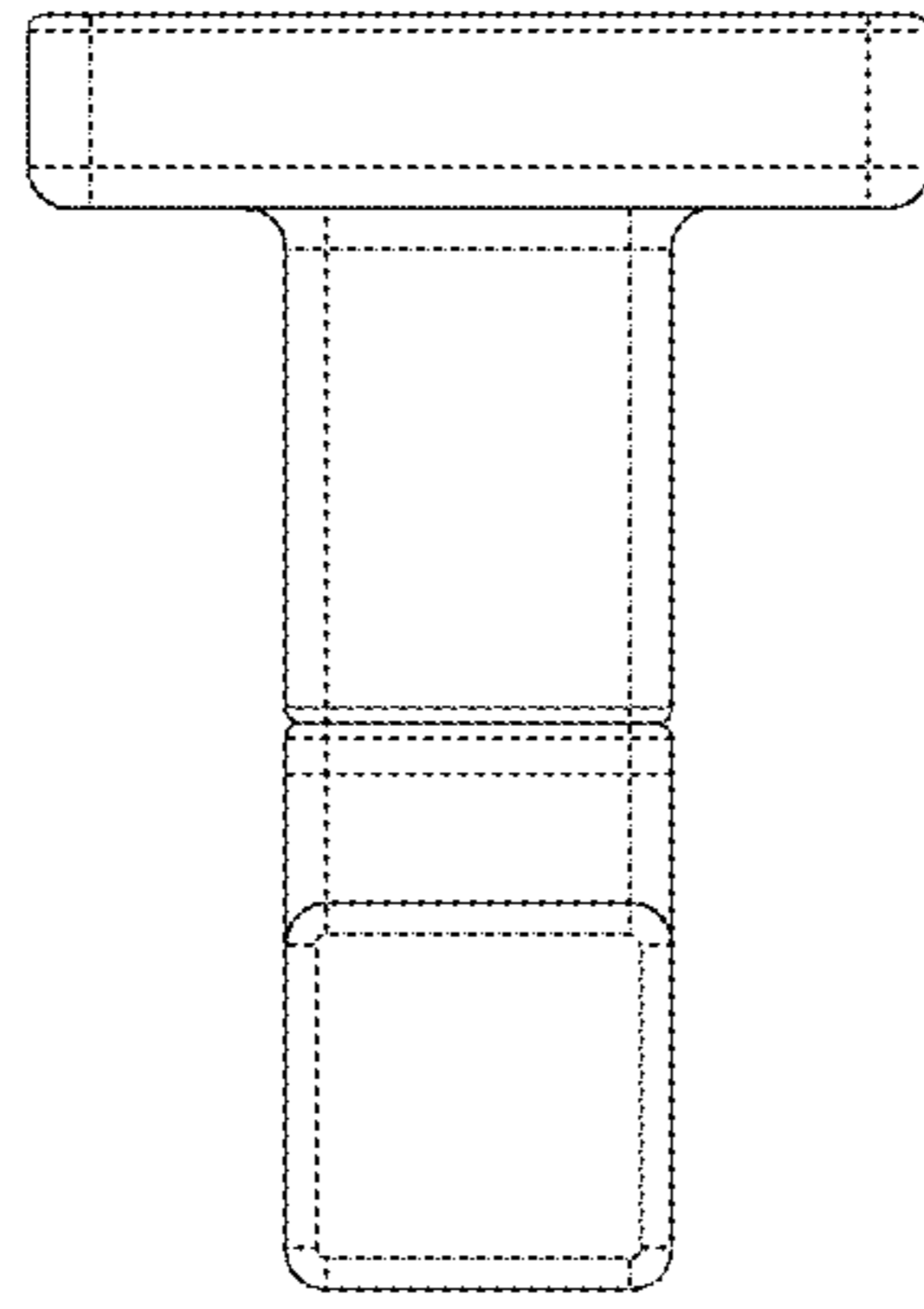


FIG - 4

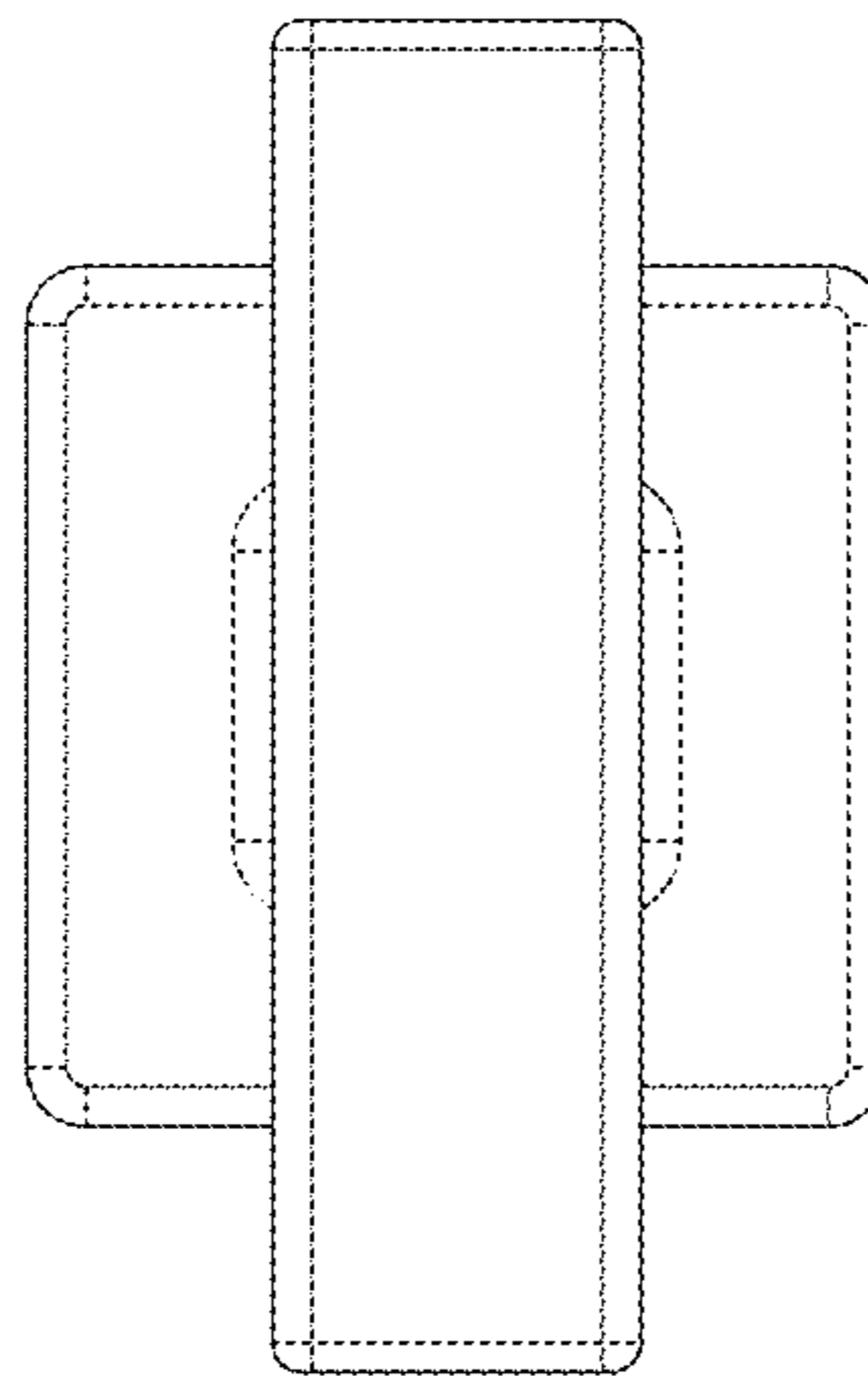


FIG - 3

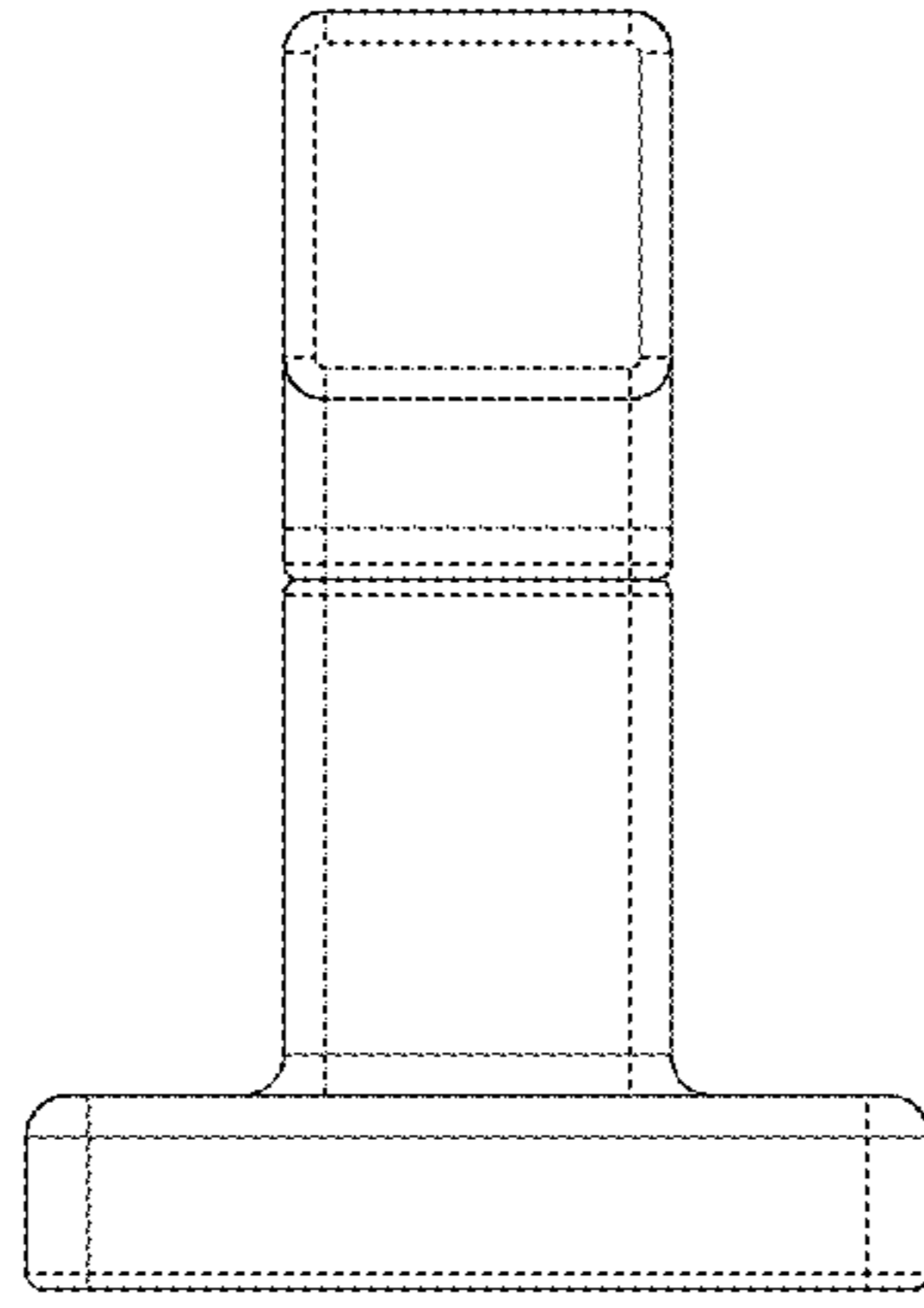


FIG - 6

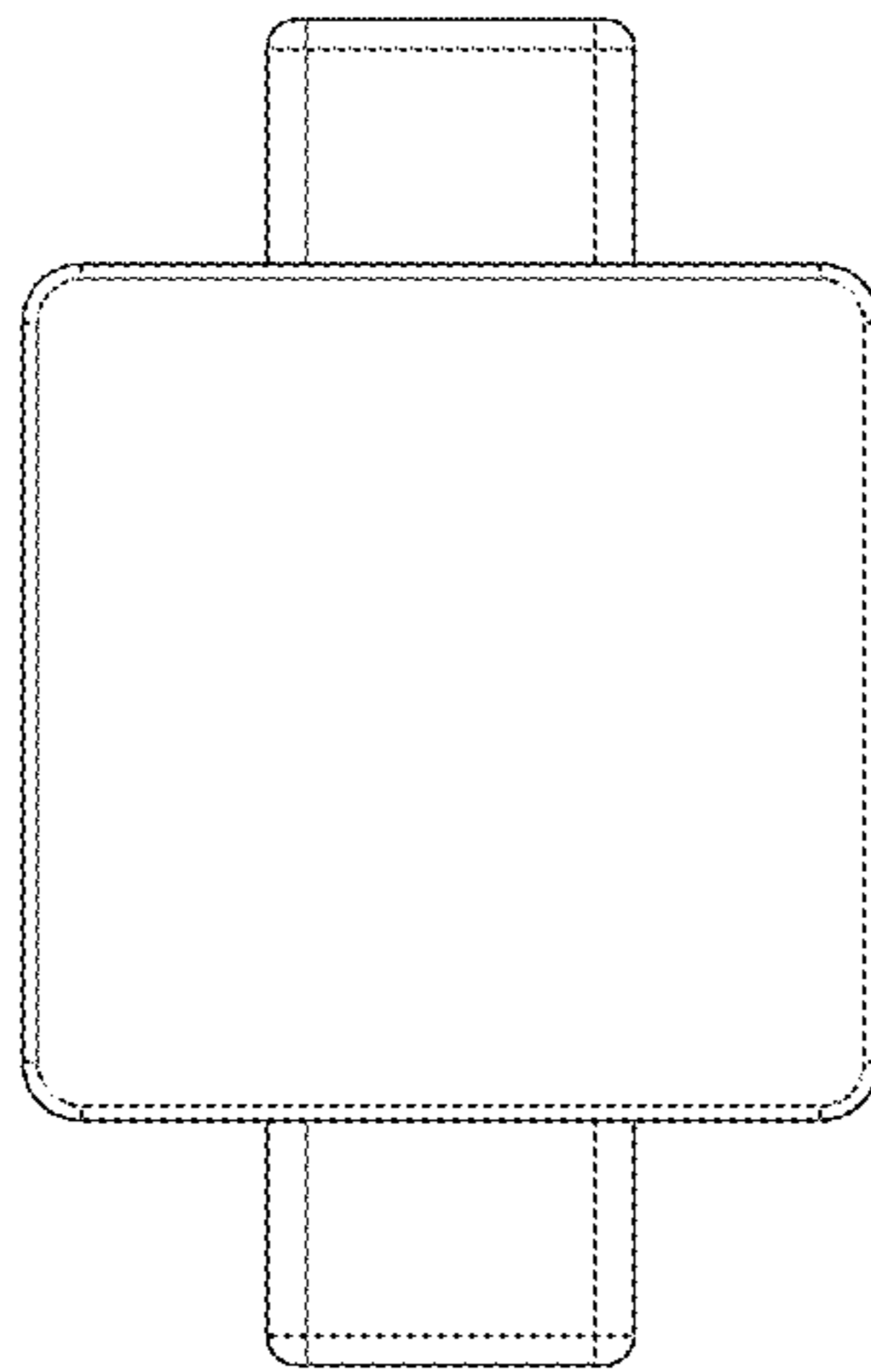


FIG - 5

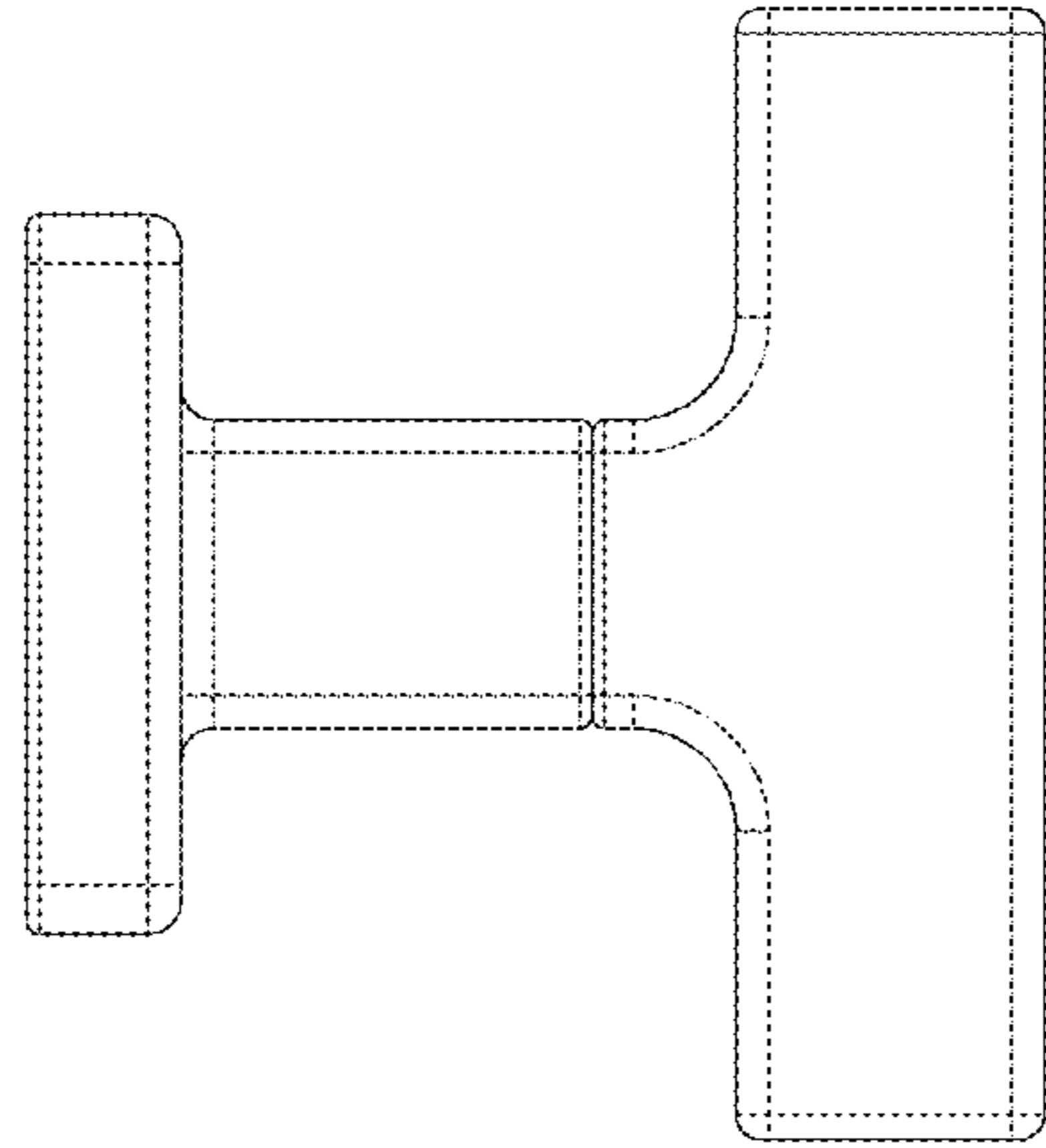


FIG - 8

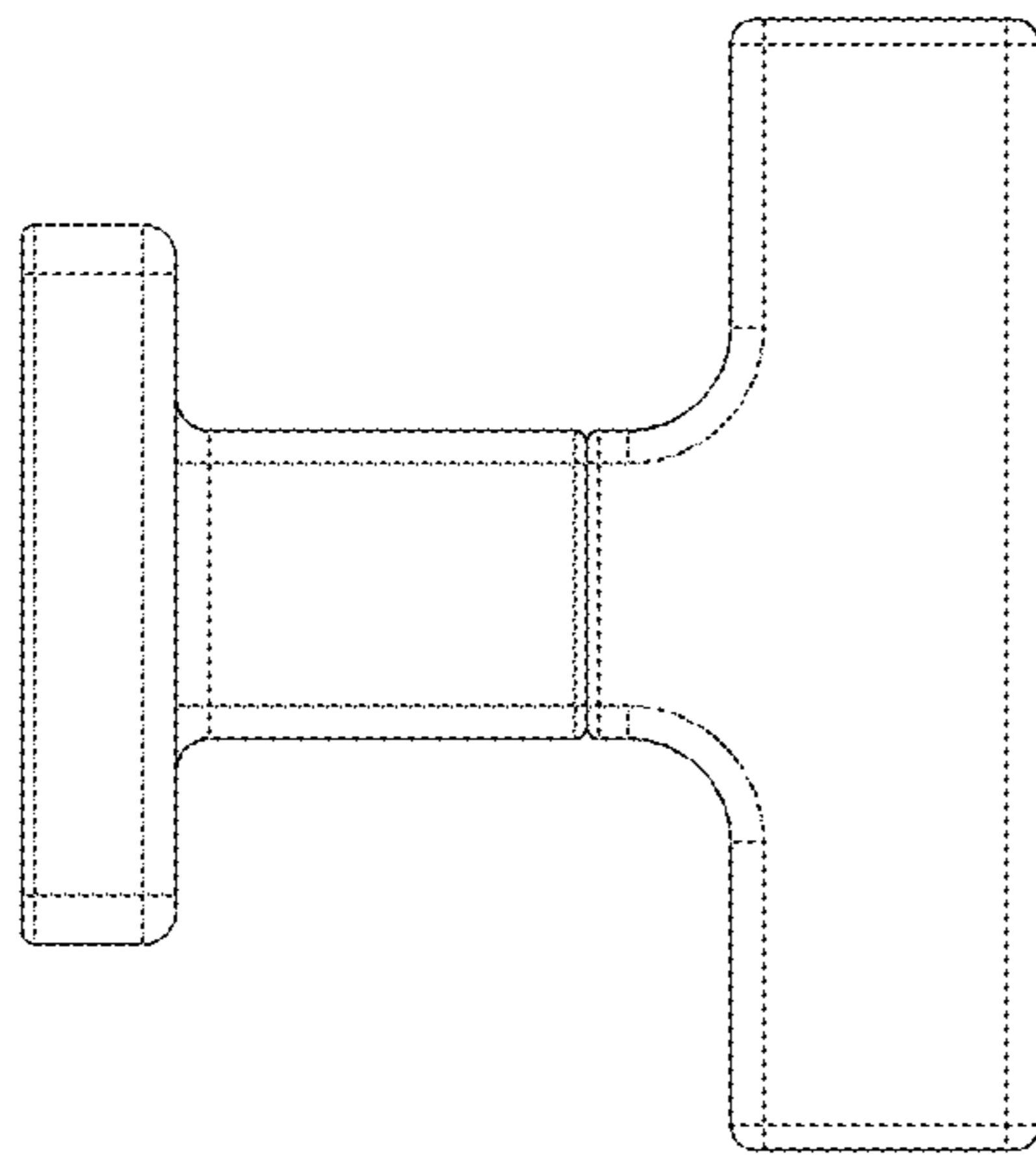


FIG - 7