



US00D924033S

(12) **United States Design Patent** (10) **Patent No.:** **US D924,033 S**  
**Parks** (45) **Date of Patent:** **\*\* Jul. 6, 2021**

- (54) **FOLDING TOOL WITH SOCKET**
- (71) Applicant: **GrooveTech Tools, Inc.**, Sonora, CA (US)
- (72) Inventor: **Dan Parks**, Sonora, CA (US)
- (73) Assignee: **GrooveTech Tools, Inc.**, Sonora, CA (US)
- (\*) Notice: This patent is subject to a terminal disclaimer.
- (\*\*) Term: **15 Years**
- (21) Appl. No.: **29/674,618**
- (22) Filed: **Dec. 21, 2018**

**Related U.S. Application Data**

- (63) Continuation of application No. 29/626,546, filed on Nov. 17, 2017, now Pat. No. Des. 866,286.
- (51) **LOC (13) Cl.** ..... **08-05**
- (52) **U.S. Cl.**  
USPC ..... **D8/105**
- (58) **Field of Classification Search**  
USPC ... D8/11, 26, 52, 54, 55, 75, 76, 88, 95, 99, D8/105-107

(Continued)

(56) **References Cited**

**U.S. PATENT DOCUMENTS**

- D364,327 S \* 11/1995 Graham ..... D8/105
- 5,791,211 A \* 8/1998 Bondhus ..... B25B 13/56 81/440

(Continued)

**OTHER PUBLICATIONS**

NAMM 2017—Cruz Tools—GrooveTech Tech Kit and Guitar Multi Tool, Guitar World, published on Jan. 23, 2017 on youtube.

com, retrieved on Jun. 30, 2020, retrieved from the Internet URL: <https://www.youtube.com/watch?v=vj36RhVlq78>.\*

(Continued)

*Primary Examiner* — Catherine S Posthauer

*Assistant Examiner* — Alison M Ofstun

(74) *Attorney, Agent, or Firm* — Ice Miller LLP

(57) **CLAIM**

The ornamental design for a folding tool with socket, as shown and described.

**DESCRIPTION**

FIG. 1 is a top perspective view of a folding tool with socket, showing my new design, shown in an expanded configuration;

FIG. 2 is a bottom perspective view of the tool in an expanded configuration;

FIG. 3 is a first side elevation view of the tool in an expanded configuration;

FIG. 4 is a second side elevation view of the tool in an expanded configuration;

FIG. 5 is a first end elevation view of the tool in an expanded configuration;

FIG. 6 is a second end elevation view of the tool in an expanded configuration;

FIG. 7 is a top plan view of the tool in an expanded configuration;

FIG. 8 is a bottom plan view of the tool in an expanded configuration;

FIG. 9 is a top perspective view of the tool in a retracted configuration;

FIG. 10 is a bottom perspective view of the tool in a retracted configuration;

FIG. 11 is a first side elevation view of the tool in a retracted configuration;

FIG. 12 is a second side elevation view of the tool in a retracted configuration;

FIG. 13 is a first end elevation view of the tool in a retracted configuration;

FIG. 14 is a second end elevation view of the tool in a retracted configuration;

(Continued)

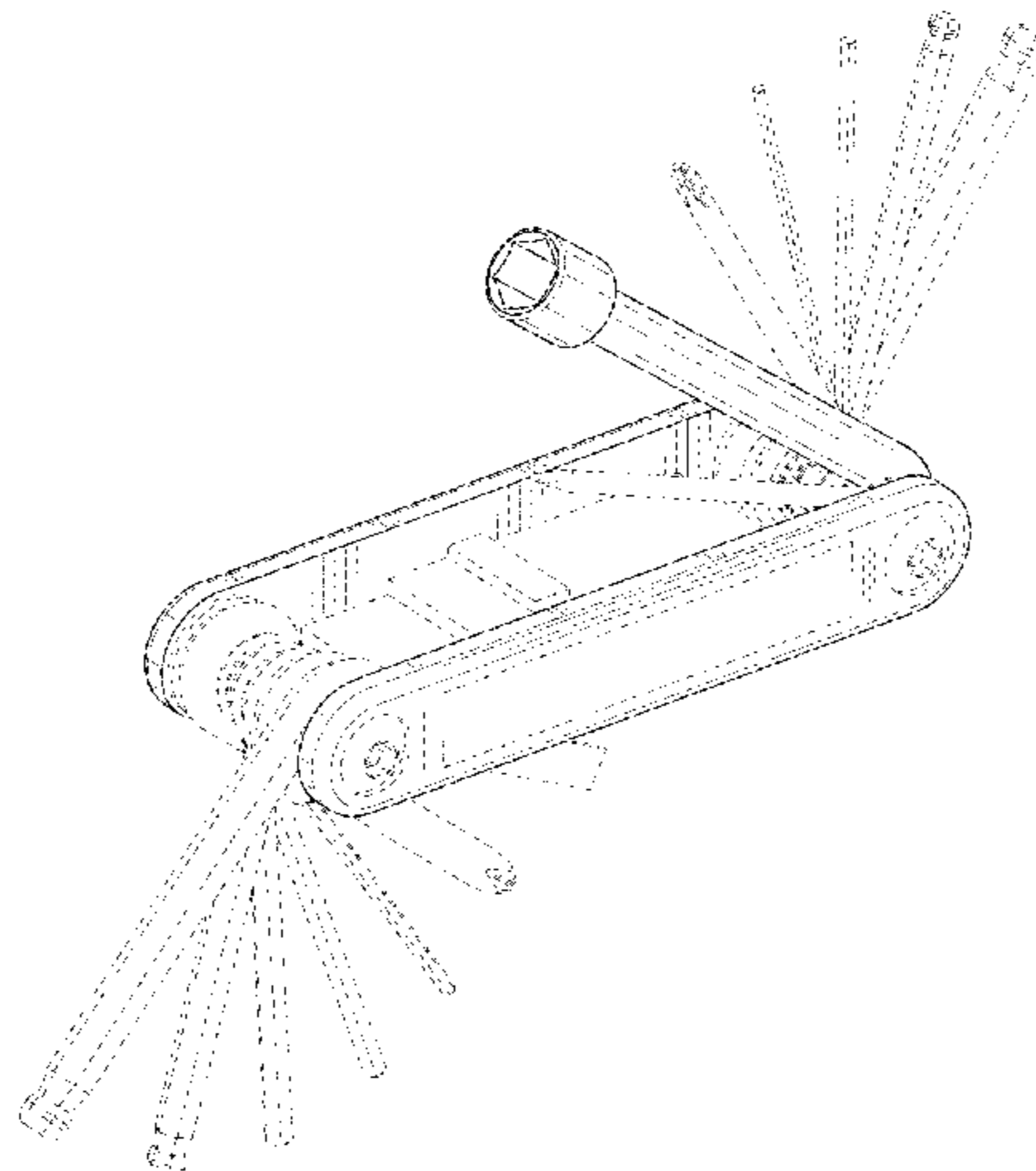


FIG. 15 is a top plan view of the tool in a retracted configuration; and,  
 FIG. 16 is a bottom plan view of the tool in a retracted configuration.  
 In the drawings, the broken lines illustrate portions of the folding tool with socket which form no part of the claimed design.

**1 Claim, 11 Drawing Sheets**

(58) **Field of Classification Search**

CPC .... B25F 1/02; B25F 1/04; B25F 1/003; B25F 1/006

See application file for complete search history.

(56)

**References Cited**

U.S. PATENT DOCUMENTS

D398,212 S *	9/1998	Cachot .....	D8/105
6,868,760 B1 *	3/2005	Johnson .....	B25B 13/56 30/161
D542,111 S *	5/2007	Te .....	D8/105
D544,329 S *	6/2007	Tansbo .....	D8/105
D799,296 S *	10/2017	Bradley .....	D8/105
D866,286 S *	11/2019	Parks .....	D8/105
2002/0073490 A1 *	6/2002	Wu .....	B25B 27/0071 7/138
2003/0079295 A1 *	5/2003	Ho .....	B25B 27/0071 7/138

2005/0120835 A1 *	6/2005	Hsien .....	B25B 13/462 81/60
2007/0209485 A1 *	9/2007	Te .....	B25B 13/56 81/440
2011/0023238 A1 *	2/2011	Orzeck .....	F16M 13/00 7/118
2011/0145997 A1 *	6/2011	Wu .....	B25F 1/04 7/118
2011/0232425 A1 *	9/2011	Chang .....	B25G 1/063 81/63.1
2011/0289693 A1 *	12/2011	Tsai .....	B25F 1/04 7/118
2016/0318168 A1 *	11/2016	Chen .....	B25F 1/04
2018/0104803 A1 *	4/2018	Chuang .....	B25B 27/0071
2019/0061126 A1 *	2/2019	Park .....	B25B 15/008
2019/0152040 A1 *	5/2019	Parks .....	B25F 1/04
2020/0061784 A1 *	2/2020	Hermansen .....	B25B 23/1427

OTHER PUBLICATIONS

Cruztools/Groovetech at Winter NAMM 2019, Guitar World, published on Jan. 25, 2019 on youtube.com, retrieved on Jun. 30, 2020, retrieved from the Internet URL: <https://www.youtube.com/watch?v=ZuAsEwLABRc>.\*

CruzTools Announces Updated GrooveTech Guitar Bass Multi-Tool \_ Premier Guitar, published Dec. 11, 2017, retrieved on Jun. 30, 2020, retrieved from the Internet URL: <https://www.premierguitar.com/articles/26624-cruztools-announces-updated-groovetech-guitarbass-multi-tool>.\*

\* cited by examiner

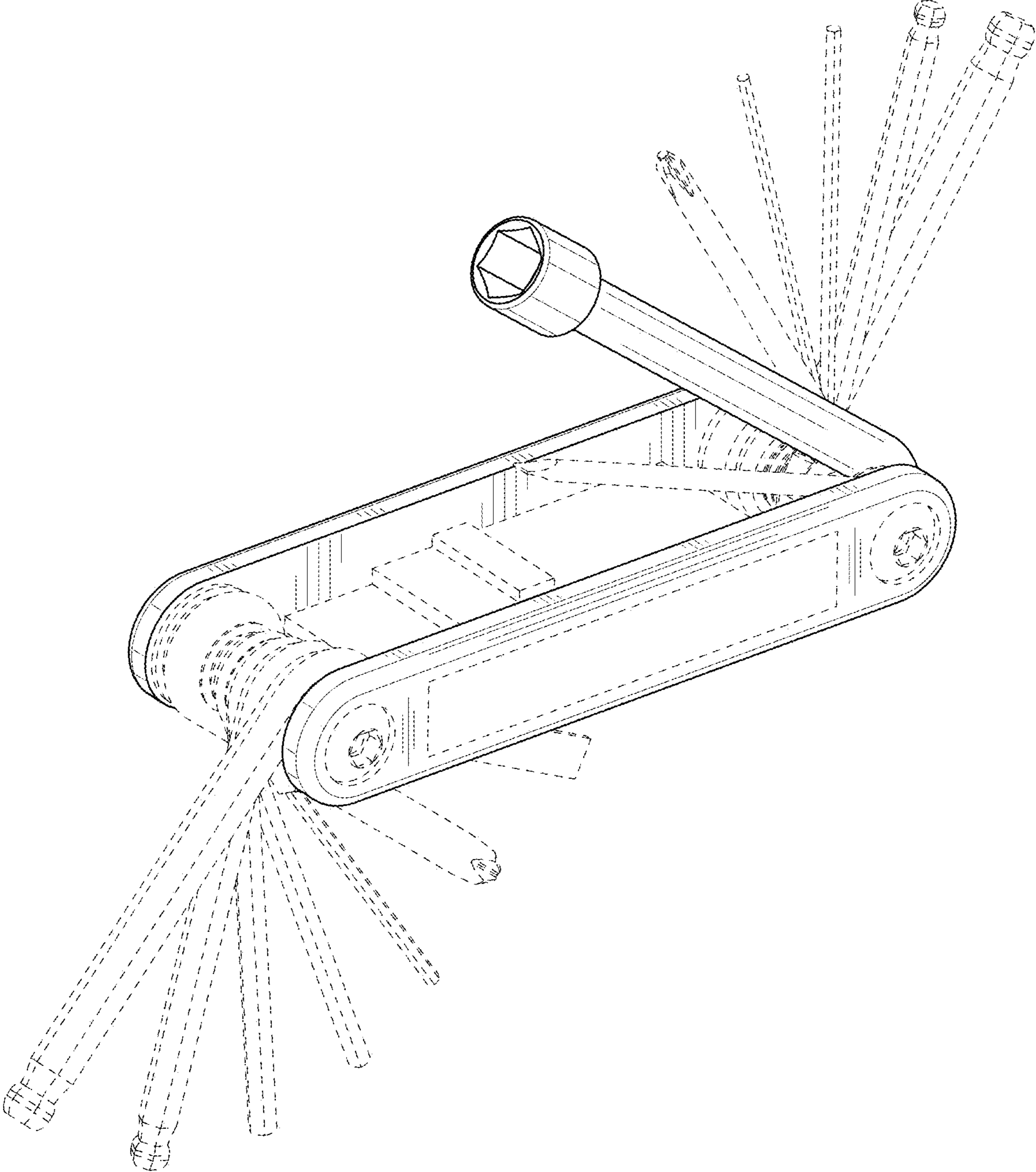


FIG. 1

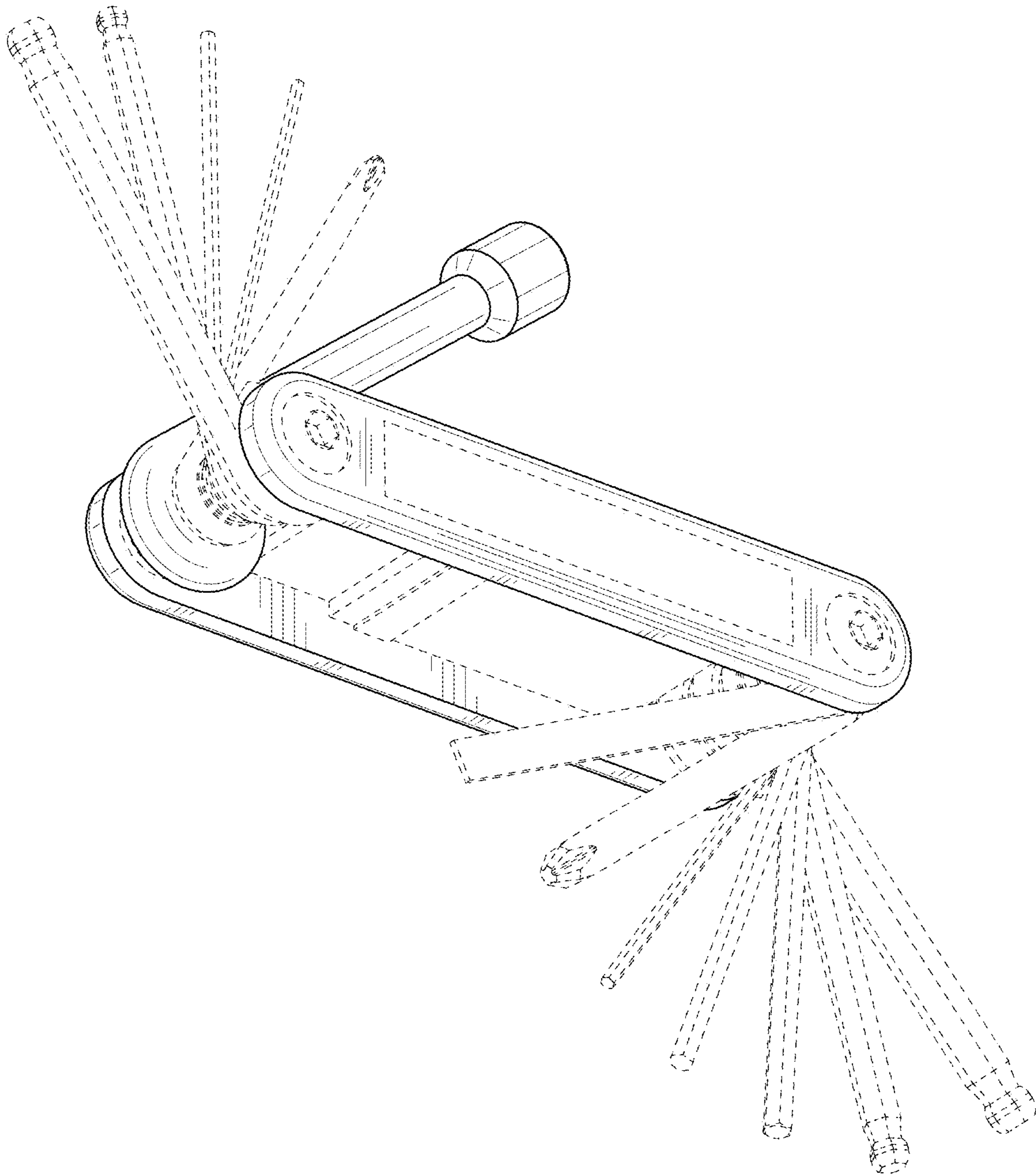


FIG. 2

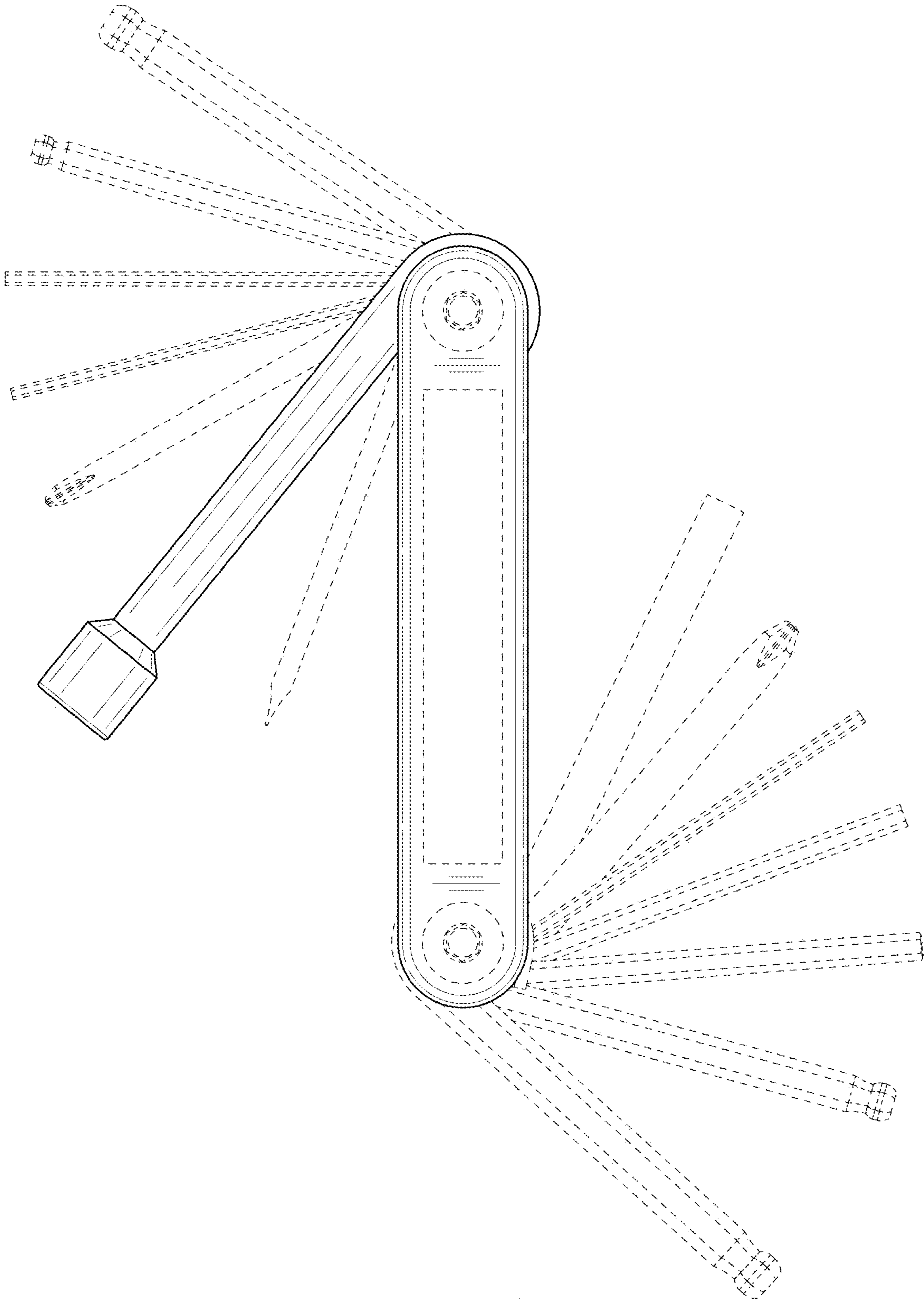


FIG. 3

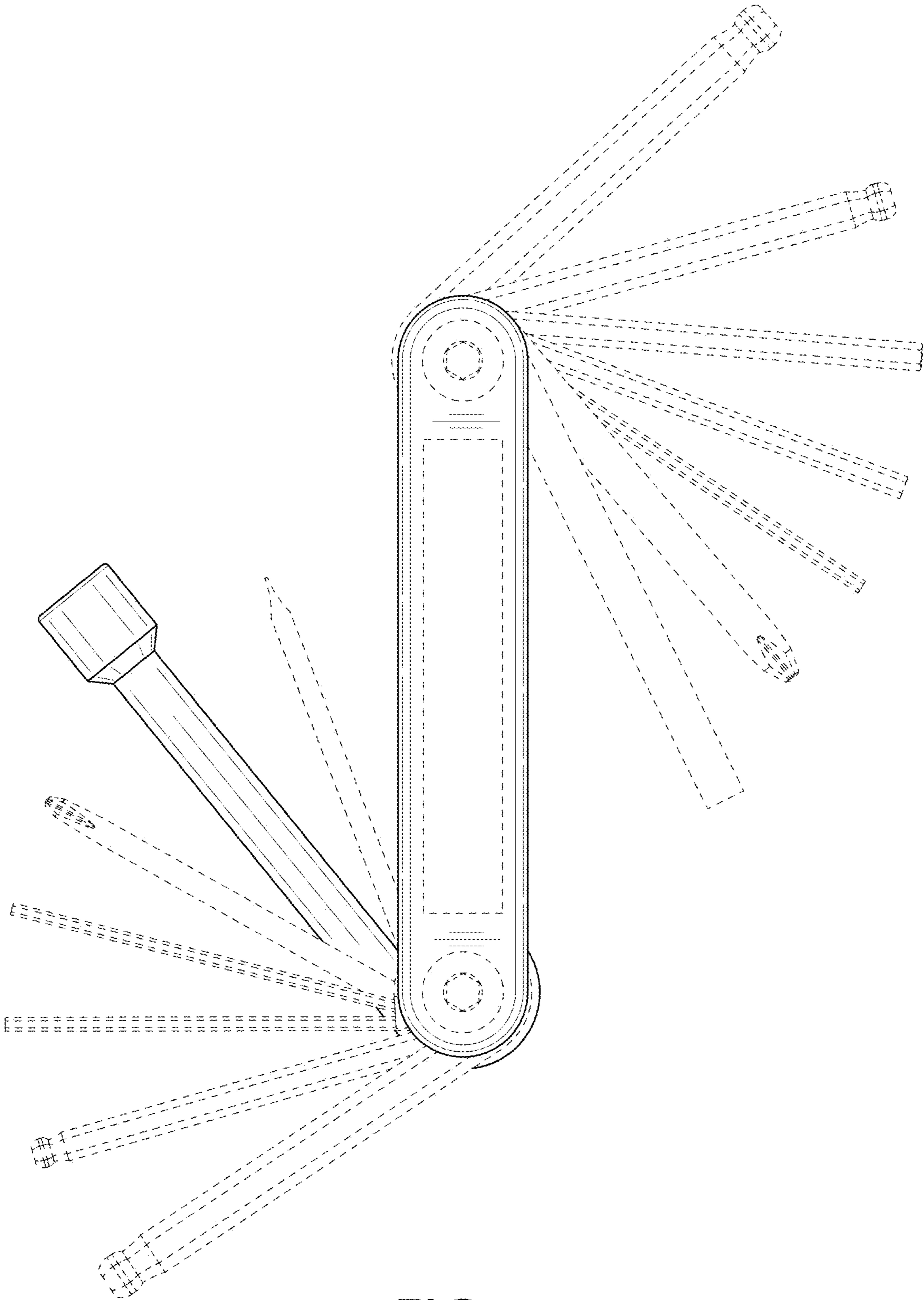


FIG. 4

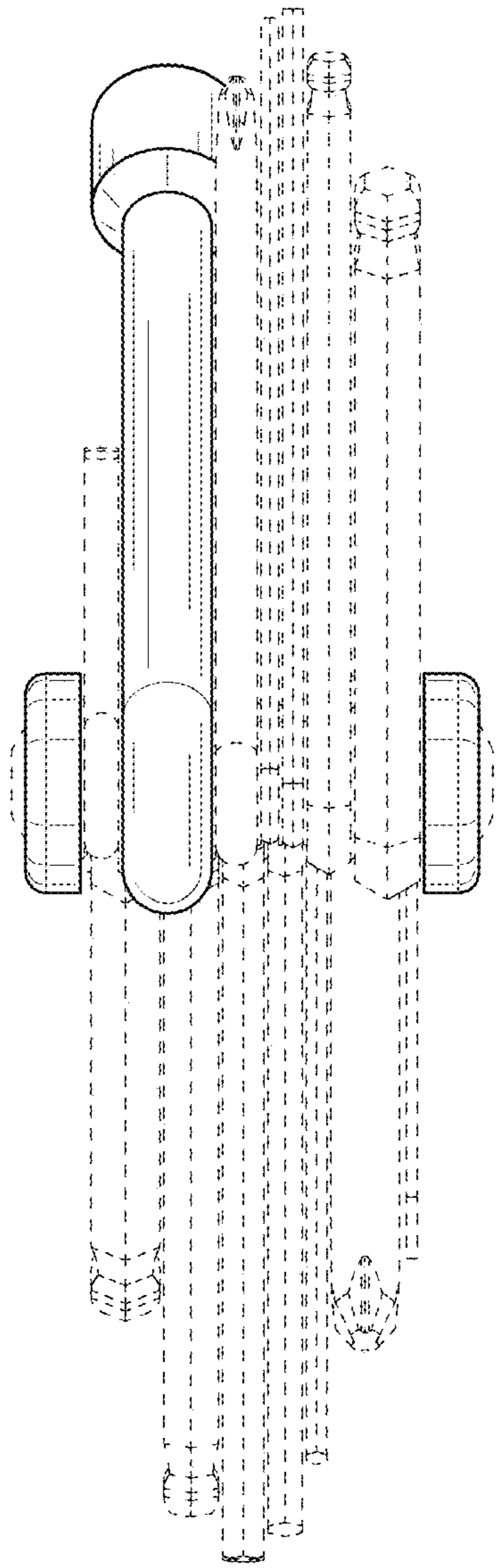


FIG. 5

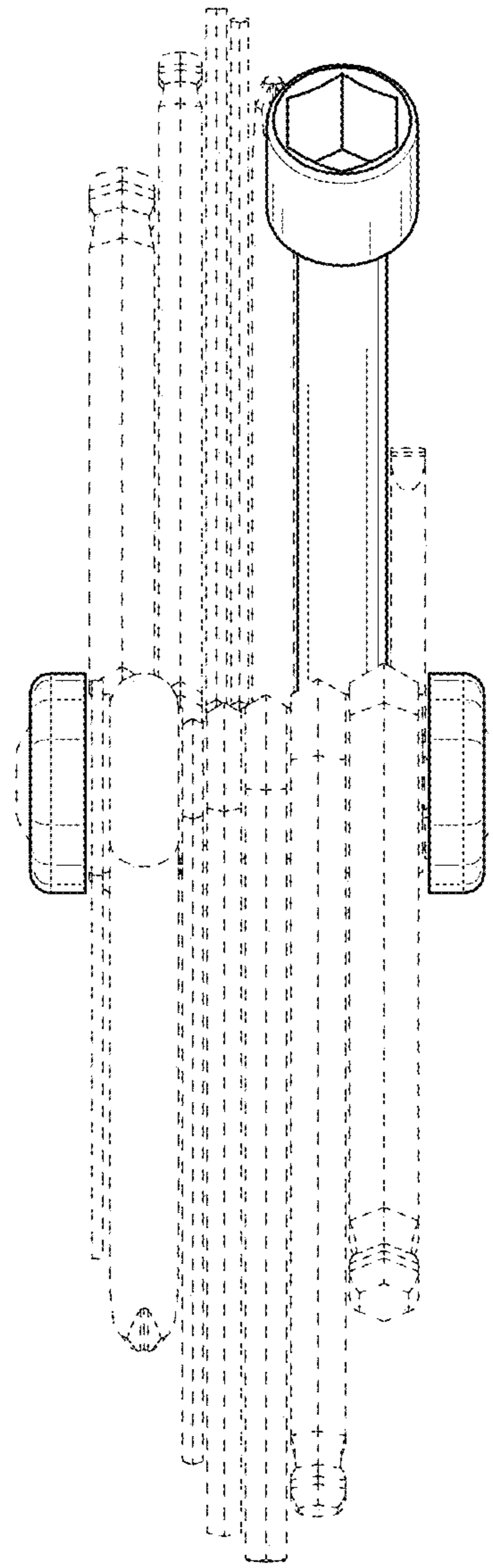


FIG. 6

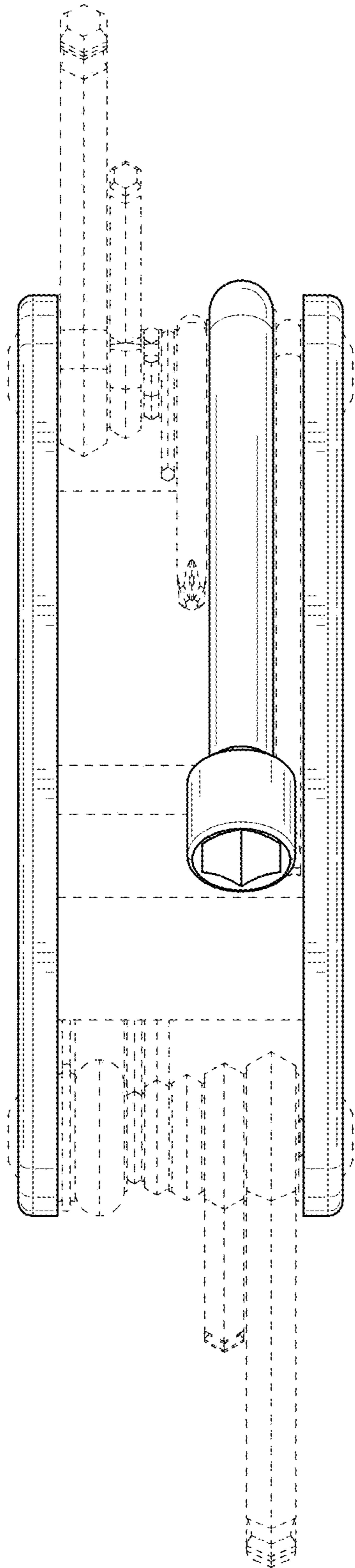


FIG. 7

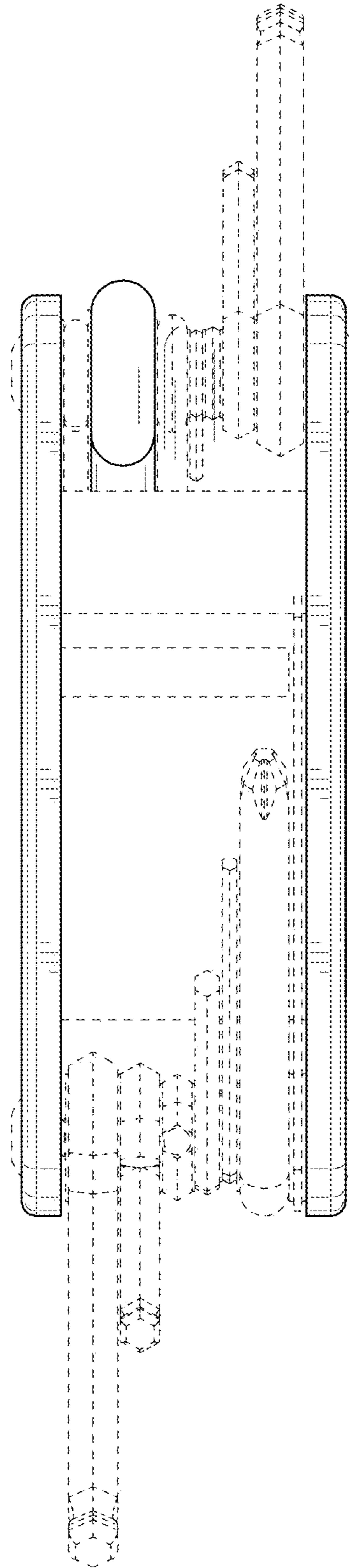


FIG. 8



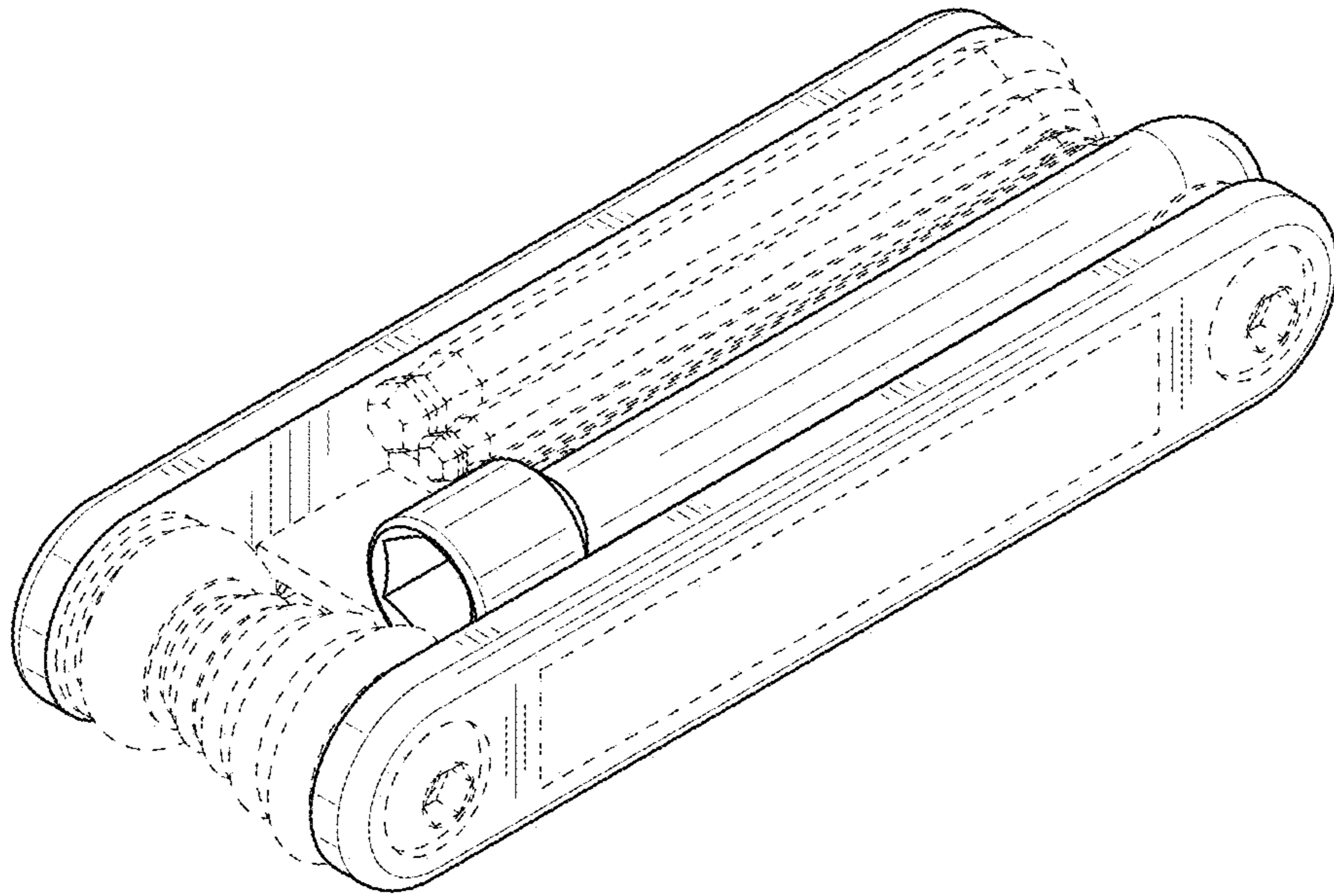


FIG. 9

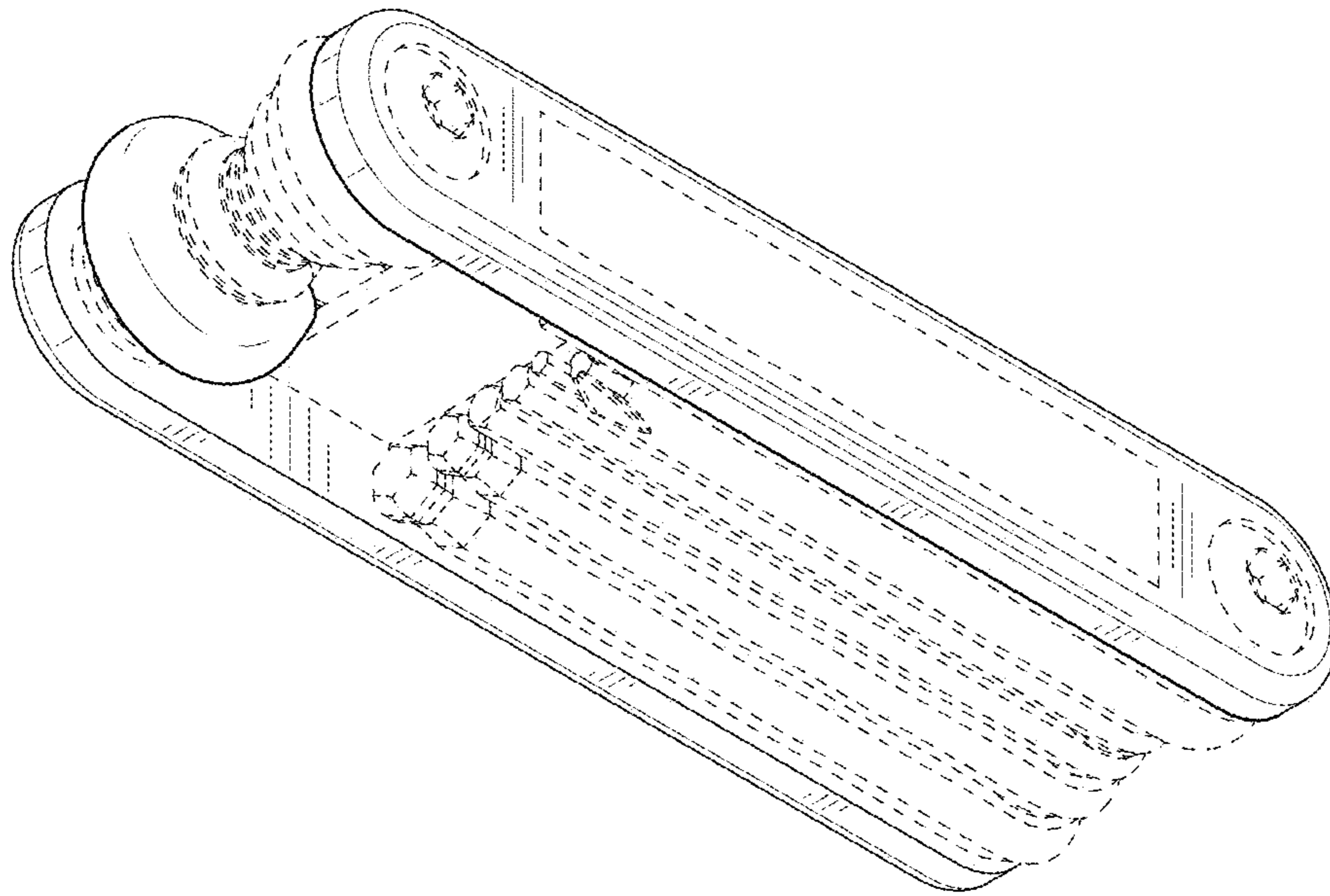


FIG. 10

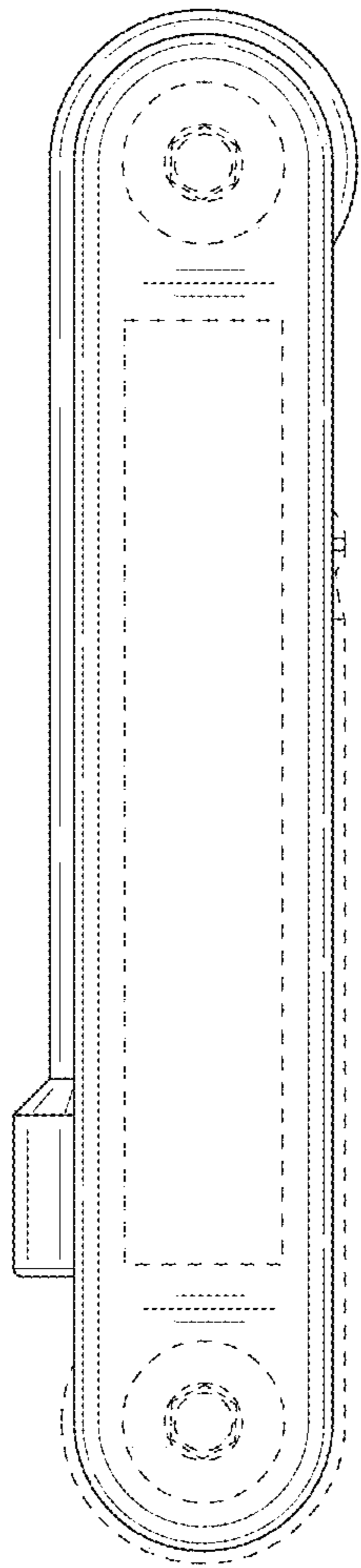


FIG. 11

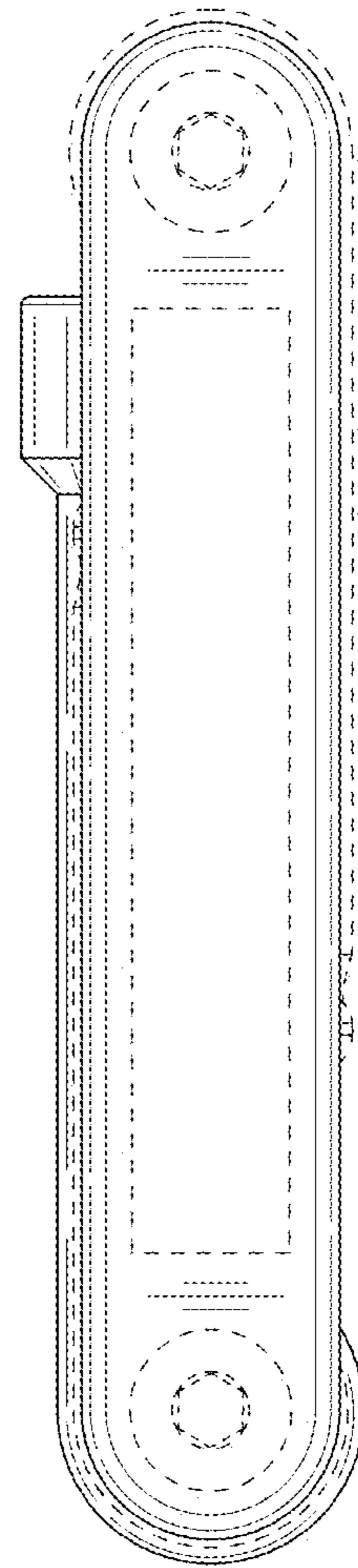


FIG. 12

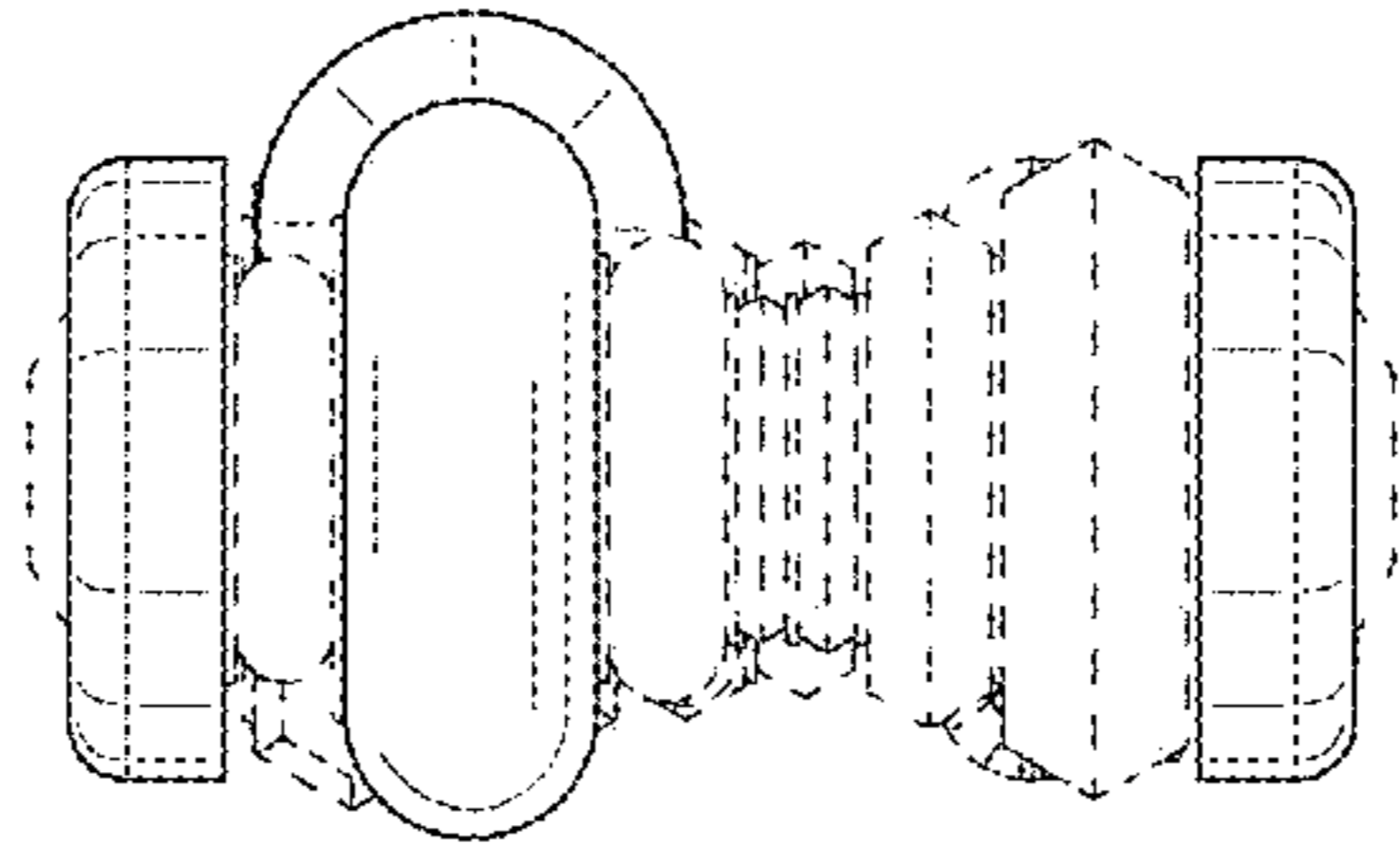


FIG. 13

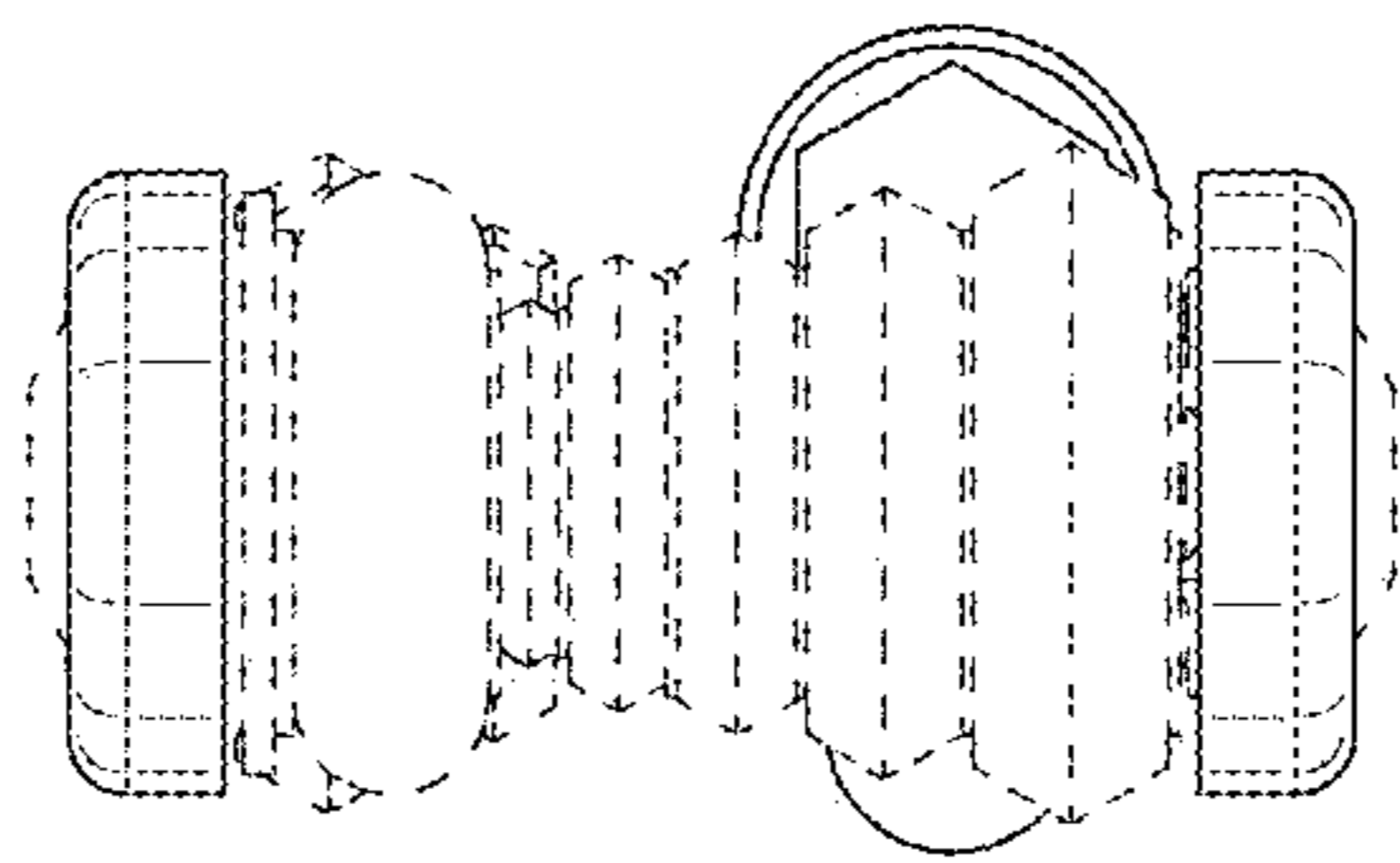


FIG. 14

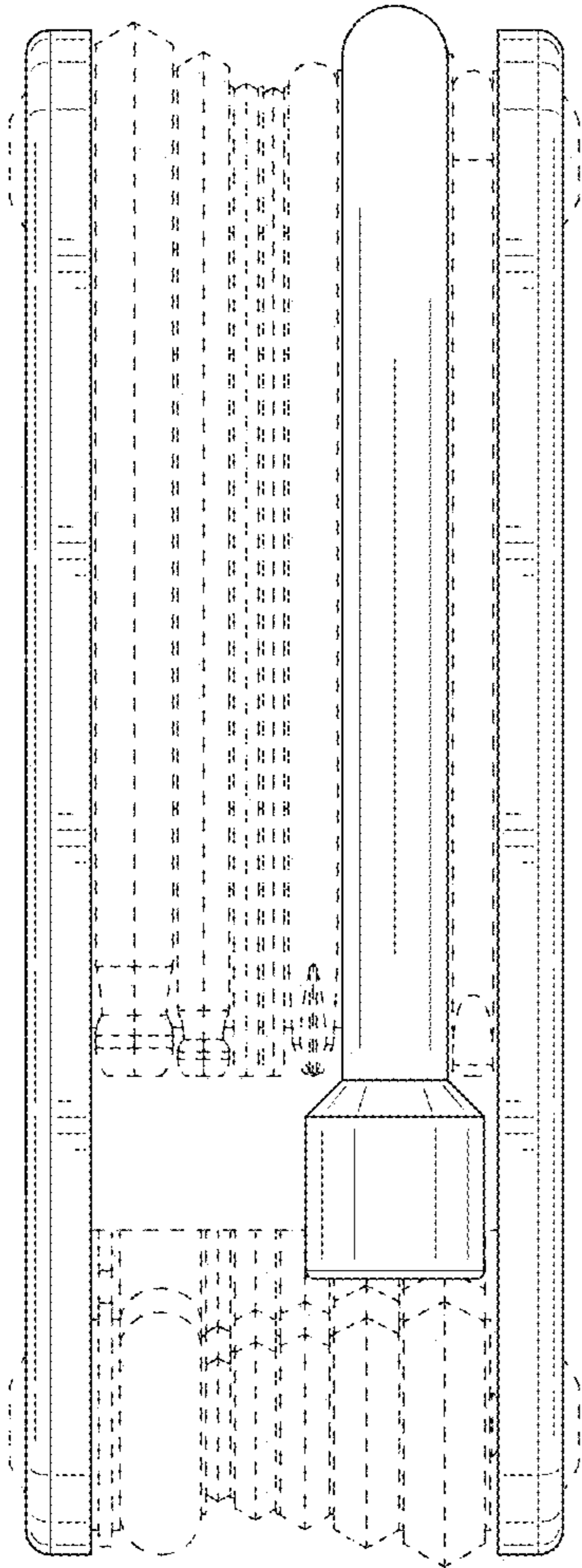


FIG. 15

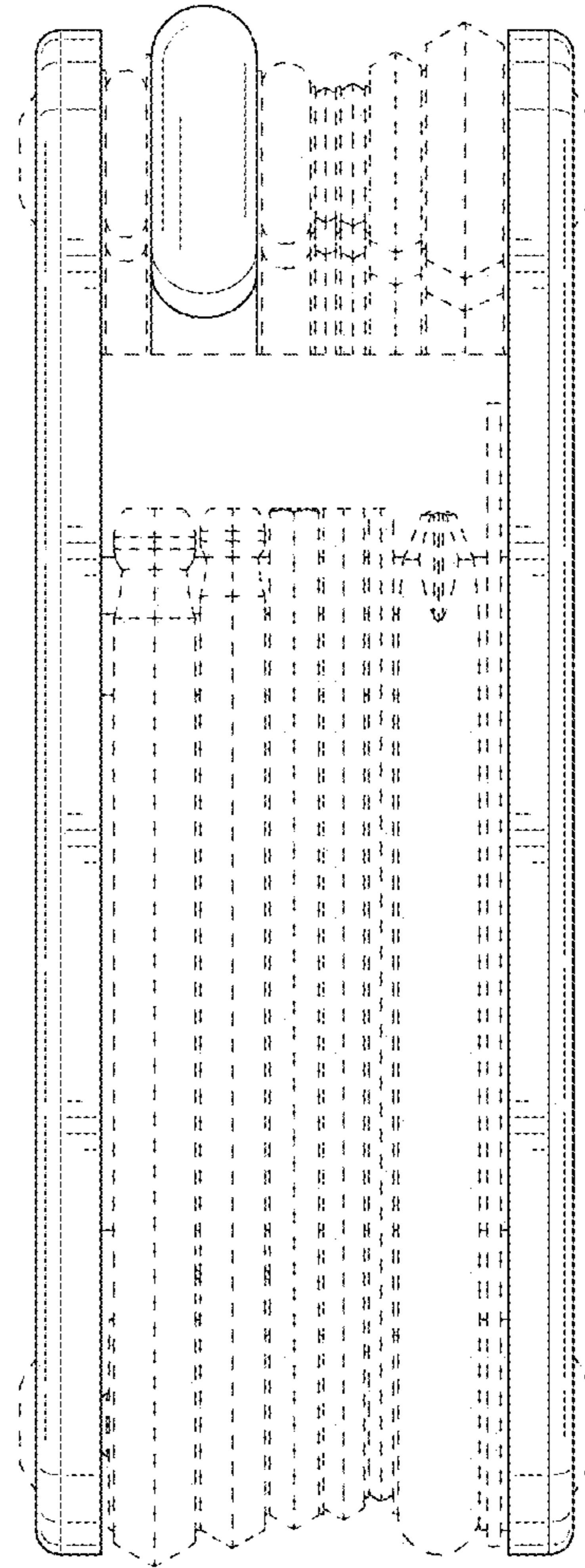


FIG. 16