

US00D924032S

(12) **United States Design Patent**  
**Su**

(10) **Patent No.:** **US D924,032 S**

(45) **Date of Patent:** **\*\* Jul. 6, 2021**

- (54) **AMERICAN-TYPE HAMMER**
- (71) Applicant: **Lu Kang Hand Tools Industrial Co., Ltd.**, Changhua Hsien (TW)
- (72) Inventor: **Chih-Yuan Su**, Changhua Hsien (TW)
- (73) Assignee: **Lu Kang Hand Tools Industrial Co., Ltd.**, Changhua Hsien (TW)

D676,302 S *	2/2013	Vanderbeek	.....	D8/75
9,193,059 B2 *	11/2015	Lombardi	.....	B25D 1/04
D747,943 S *	1/2016	Hung	.....	D8/75
D777,549 S *	1/2017	Hung	.....	D8/78
D781,124 S *	3/2017	Chen	.....	D8/79
D795,667 S *	8/2017	Chen	.....	D8/79
D867,090 S *	11/2019	Hyma	.....	D8/75
D908,455 S *	1/2021	Cate	.....	D8/78
D910,402 S *	2/2021	Raymond	.....	D8/75
2018/0207780 A1 *	7/2018	Hung	.....	B25D 1/04

\* cited by examiner

(\*\*) Term: **15 Years**

*Primary Examiner* — Philip S Hyder

(21) Appl. No.: **29/724,685**

(74) *Attorney, Agent, or Firm* — Wang Law Firm, Inc.

(22) Filed: **Feb. 18, 2020**

(51) **LOC (13) Cl.** ..... **08-02**

(52) **U.S. Cl.**  
USPC ..... **D8/78; D8/79**

(58) **Field of Classification Search**  
USPC ..... D8/14, 75, 76, 77, 78, 79, 80, 81  
CPC ... B25D 1/00; B25D 1/02; B25D 1/04; B25D  
1/045; B25D 1/06; B25D 1/10; B25D  
1/12  
See application file for complete search history.

(57) **CLAIM**

The ornamental design for an American-type hammer, as shown and described.

**DESCRIPTION**

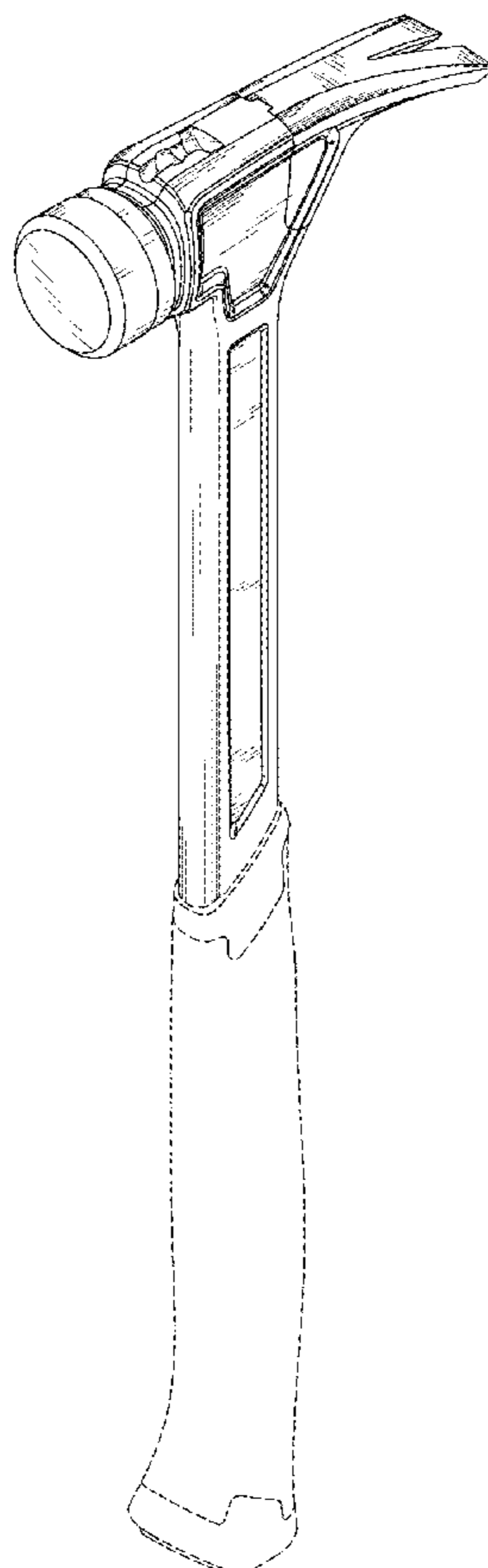
FIG. 1 is a perspective view of the American-type hammer showing my new design;  
FIG. 2 is a front elevation view thereof;  
FIG. 3 is a rear elevation view thereof;  
FIG. 4 is a left side elevation view thereof;  
FIG. 5 is a right side elevation view thereof;  
FIG. 6 is a top plan view thereof; and,  
FIG. 7 is a bottom plan view thereof.  
The handle is depicted in broken line form as it is not considered part of the claimed design.

(56) **References Cited**

U.S. PATENT DOCUMENTS

D470,380 S *	2/2003	Huang	.....	D8/75
D653,925 S *	2/2012	Hung	.....	D8/78

**1 Claim, 7 Drawing Sheets**



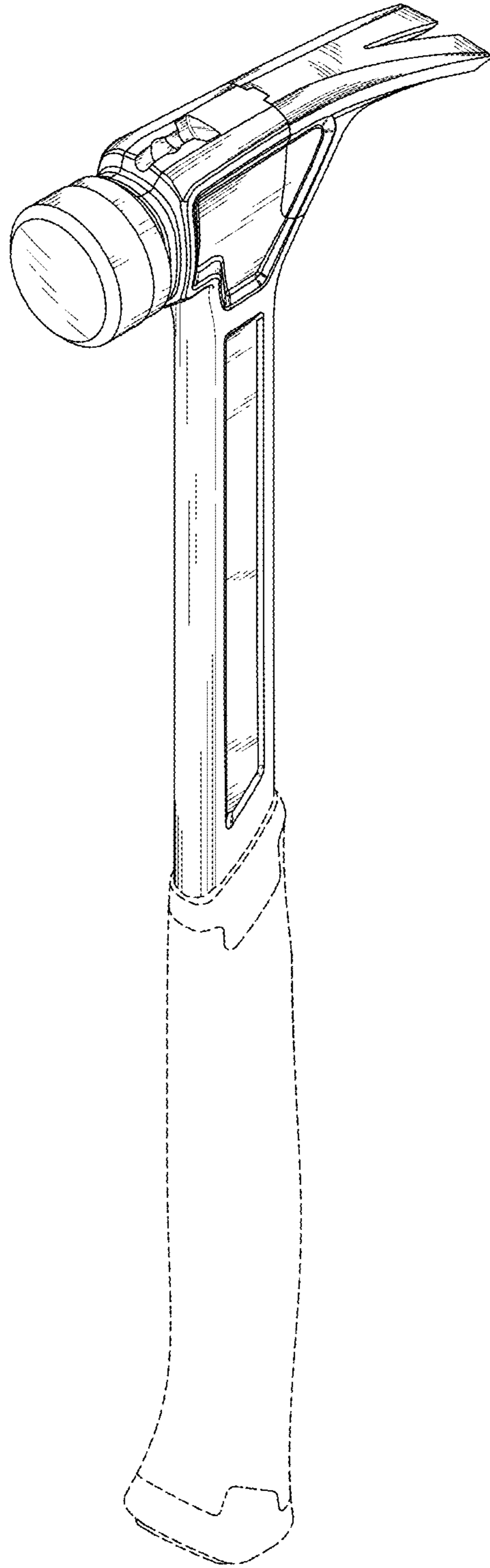


FIG.1

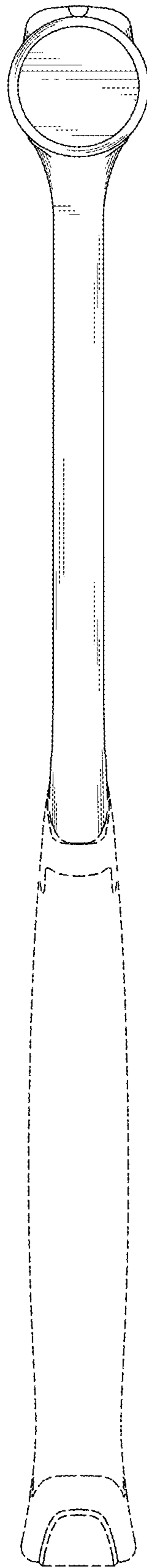


FIG.2

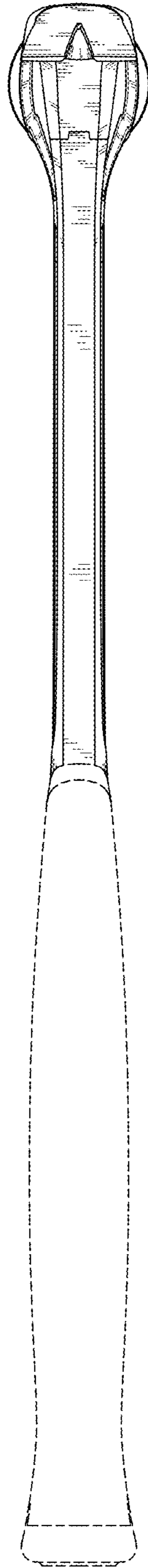


FIG.3

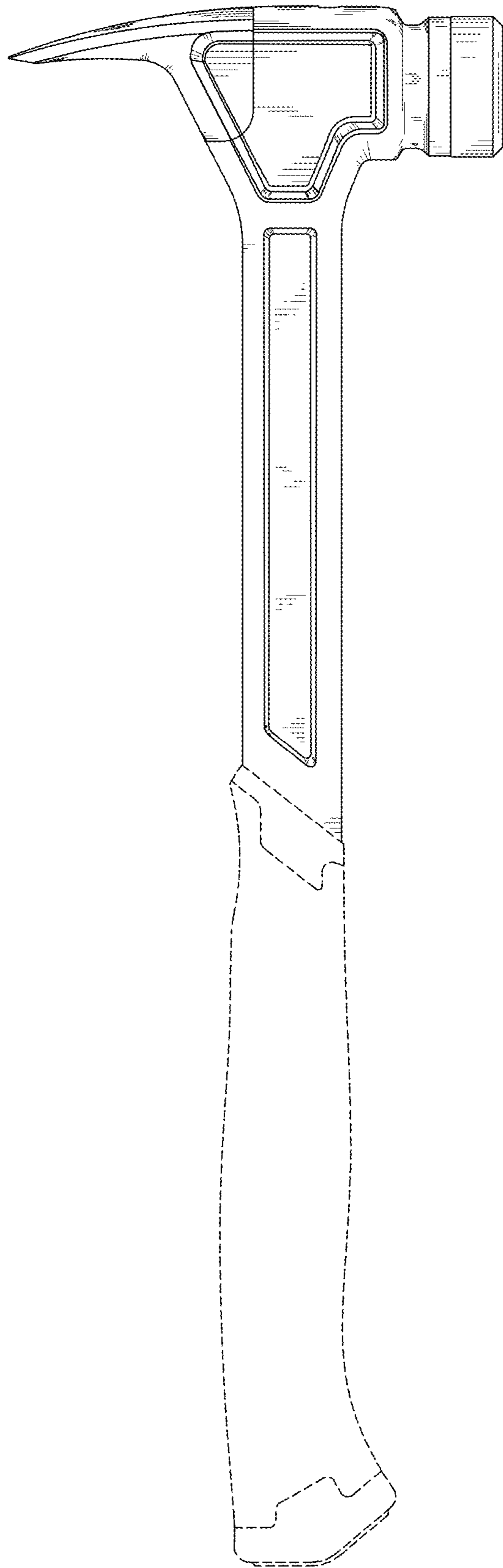


FIG.4

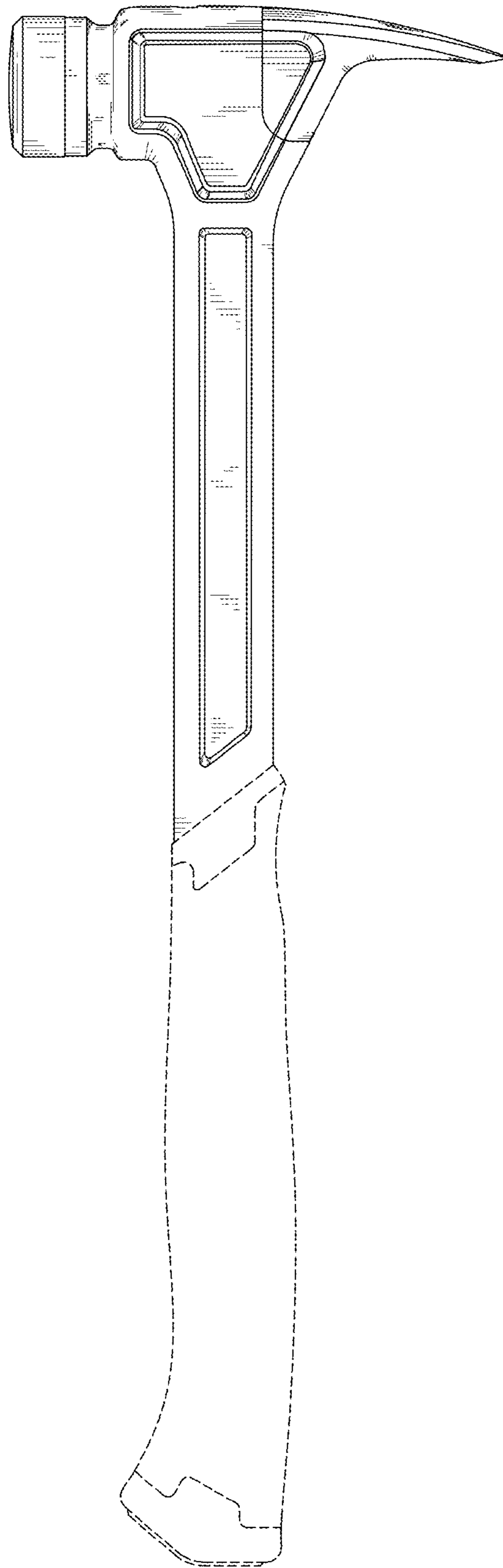


FIG.5

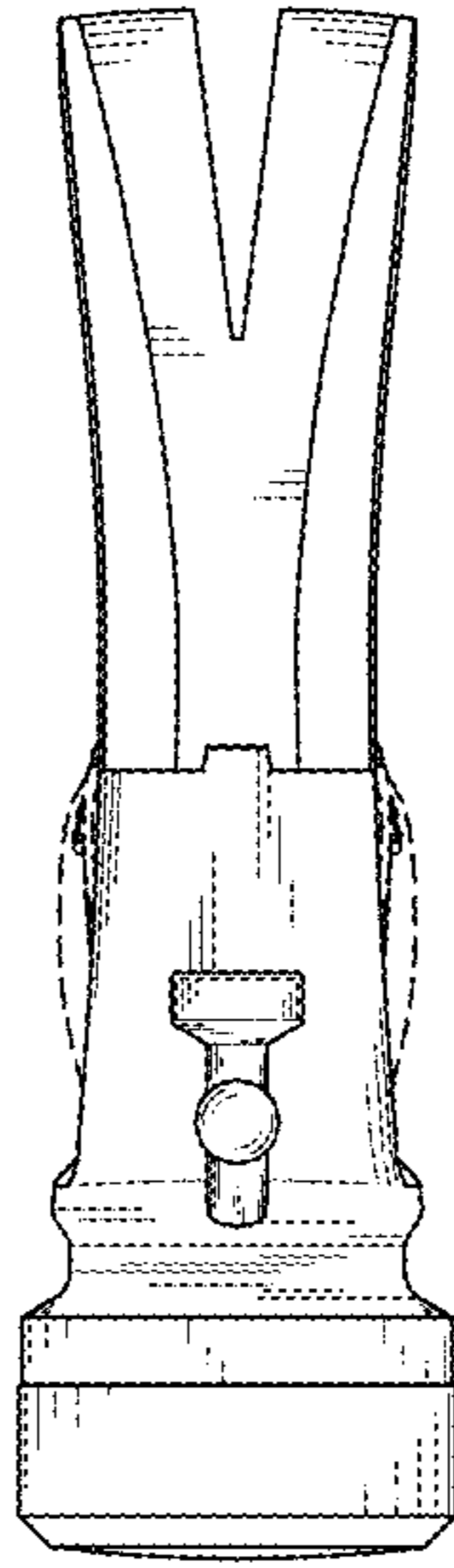


FIG.6

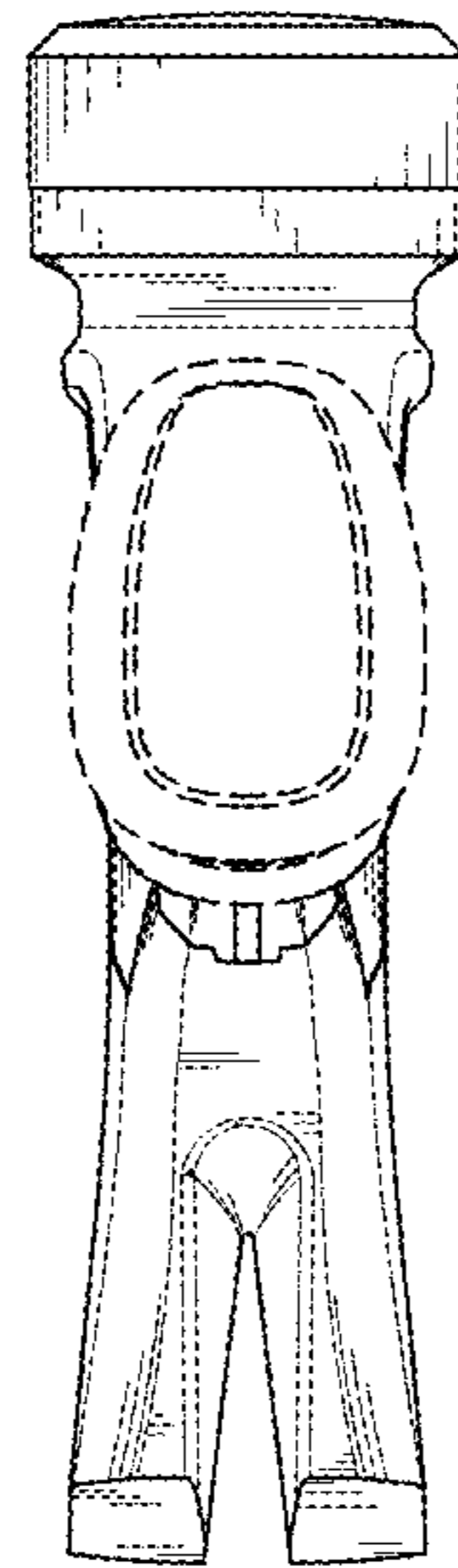


FIG.7