



US00D924031S

(12) **United States Design Patent**
Huang

(10) **Patent No.:** **US D924,031 S**

(45) **Date of Patent:** **** Jul. 6, 2021**

- (54) **TOOL HANDLE**
- (71) Applicant: **YUNG CHI INDUSTRY CO., LTD.**,
Taichung (TW)
- (72) Inventor: **Wu Sheng Huang**, Taichung (TW)
- (73) Assignee: **Yung Chi Industry Co., Ltd.**, Taichung
(TW)
- (**) Term: **15 Years**
- (21) Appl. No.: **29/720,733**
- (22) Filed: **Jan. 15, 2020**
- (51) **LOC (13) Cl.** **08-05**
- (52) **U.S. Cl.**
USPC **D8/70**
- (58) **Field of Classification Search**
USPC D8/14, 51, 60, 61, 68, 70
CPC .. B21D 41/021; B21D 41/023; B21D 41/025;
B25G 3/02; B25G 3/04
See application file for complete search history.

- 8,166,614 B2 * 5/2012 Martin B25F 5/026
16/426
- 8,800,412 B2 * 8/2014 Griffin B25F 5/026
81/491
- 10,272,559 B2 * 4/2019 Friedrich B25F 5/006
D883,762 S * 5/2020 Thompson D8/61
- 2002/0170336 A1 * 11/2002 Carter B21D 41/021
72/430
- 2005/0249564 A1 * 11/2005 Van Bergen B25F 5/027
408/241 R
- 2018/0193898 A1 * 7/2018 Huang B21D 41/021

* cited by examiner

Primary Examiner — Philip S Hyder

(74) *Attorney, Agent, or Firm* — Wang Law Firm, Inc.

(57) **CLAIM**

The ornamental design for a tool handle, as shown.

DESCRIPTION

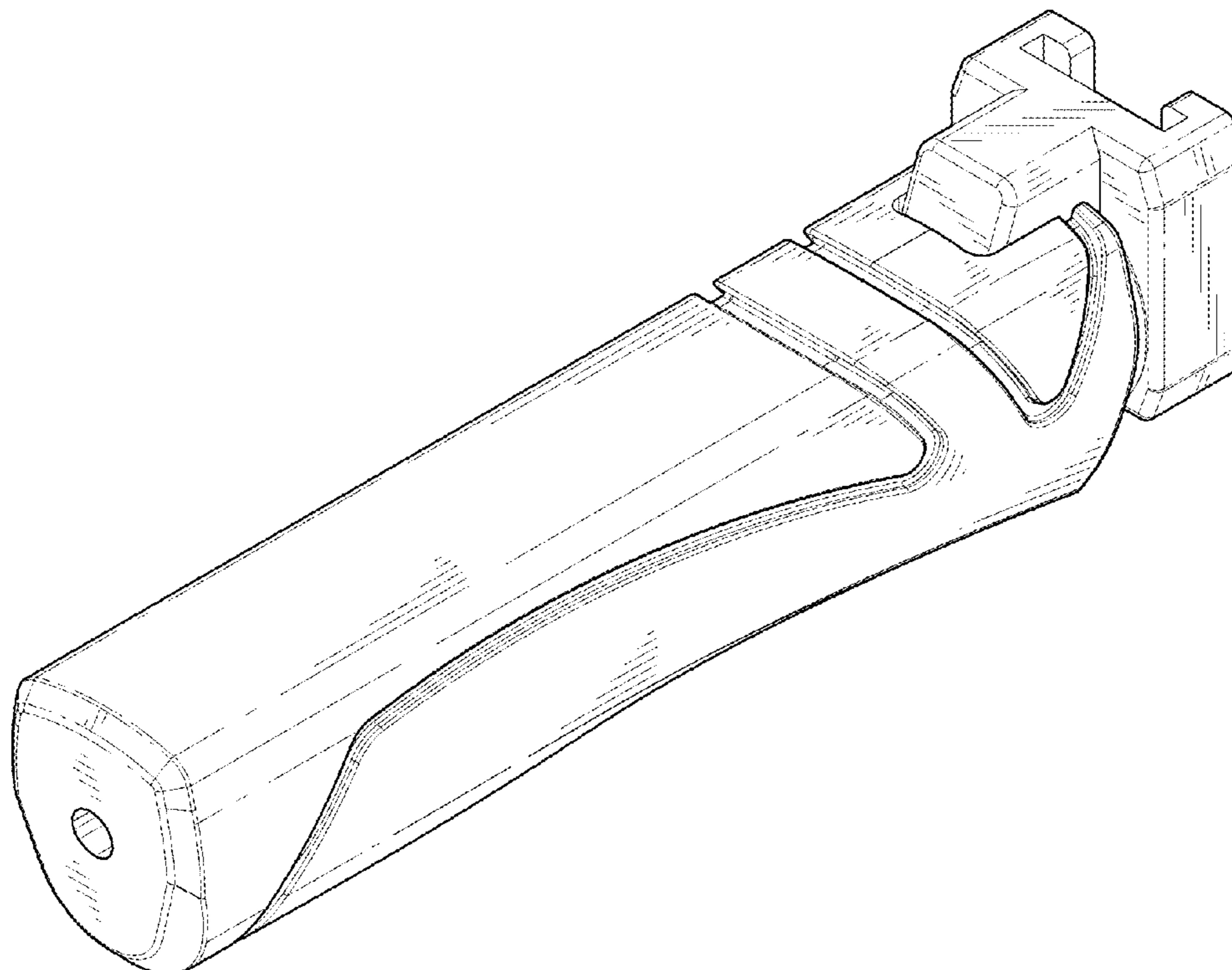
FIG. 1 is a front perspective view of a tool handle showing my new design;
 FIG. 2 is a front view thereof;
 FIG. 3 is a rear view thereof;
 FIG. 4 is a left view thereof;
 FIG. 5 is a right view thereof;
 FIG. 6 is a top view thereof;
 FIG. 7 is a bottom view thereof; and,
 FIG. 8 is an in-use view, showing the tool handle connected to a tool.
 The broken line portions of FIG. 8 depict environment that forms no part of the claimed design.

(56) **References Cited**

U.S. PATENT DOCUMENTS

- 4,881,294 A * 11/1989 Riedl B25F 5/003
16/426
- D463,238 S * 9/2002 Schoen D8/70
- D467,484 S * 12/2002 Schoen D8/70
- D550,058 S * 9/2007 Aglassinger D8/107
- D550,533 S * 9/2007 Aglassinger D8/107
- 7,578,161 B1 * 8/2009 Sizemore B21D 41/021
29/890.043

1 Claim, 8 Drawing Sheets



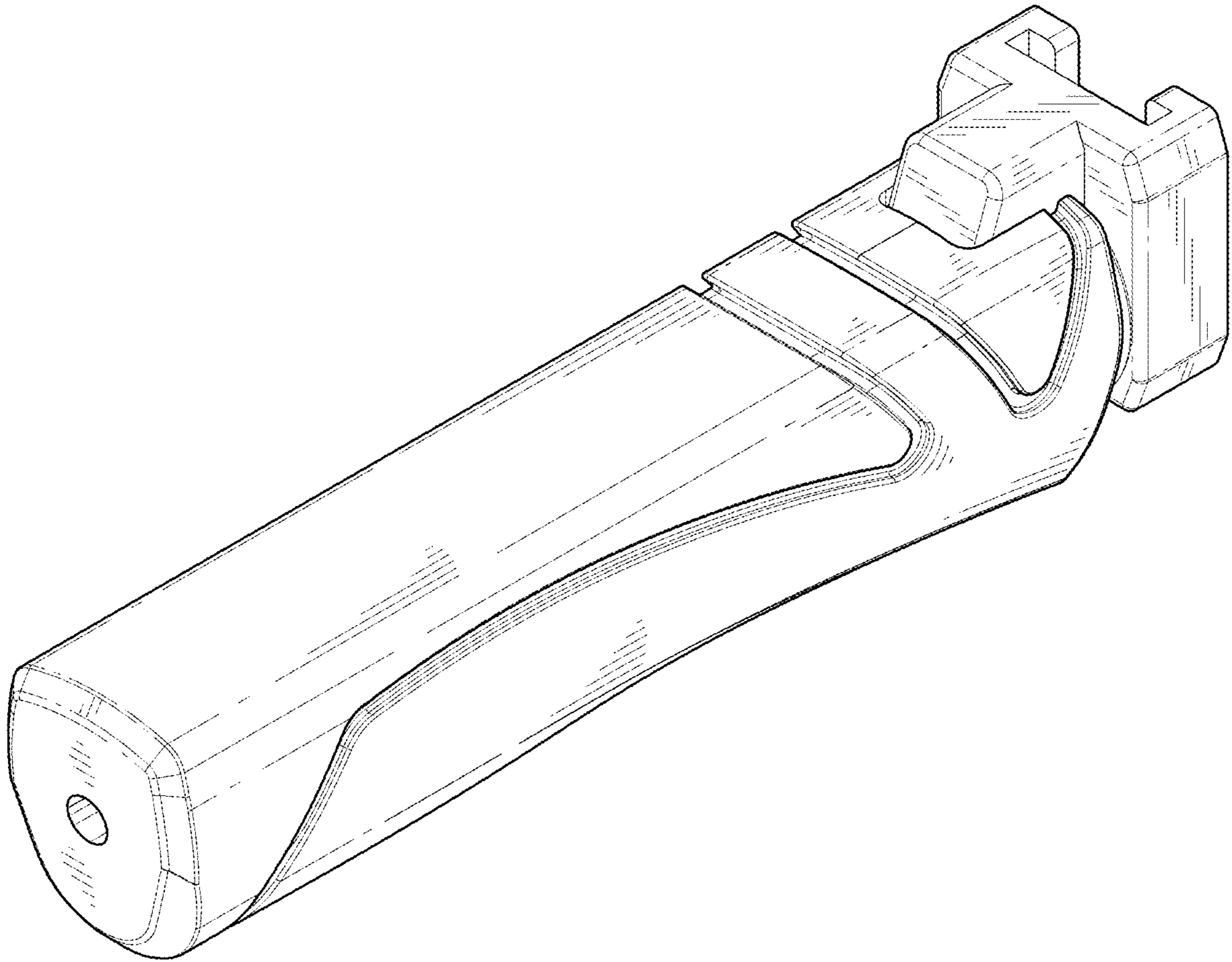


FIG. 1

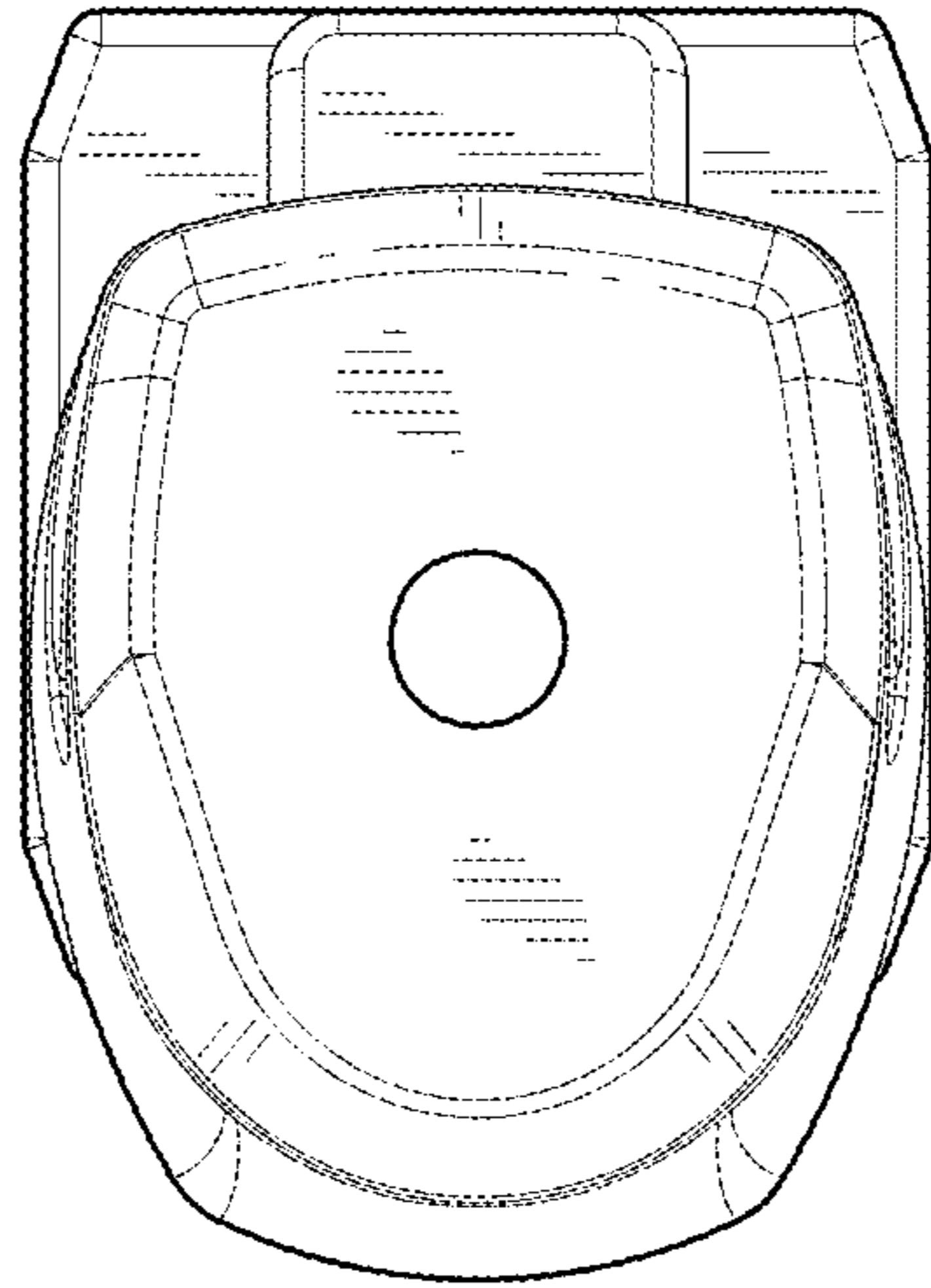


FIG. 2

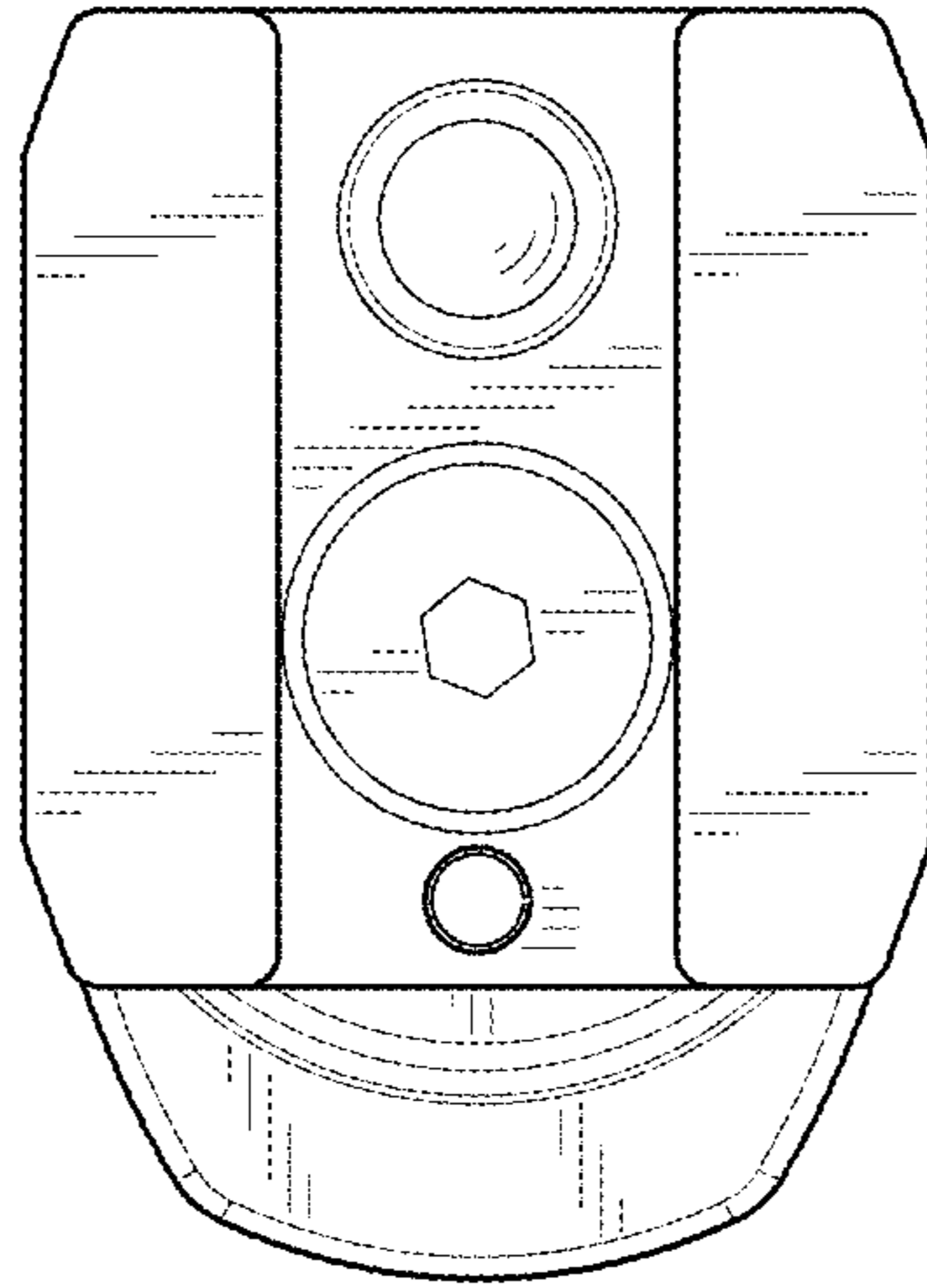


FIG. 3

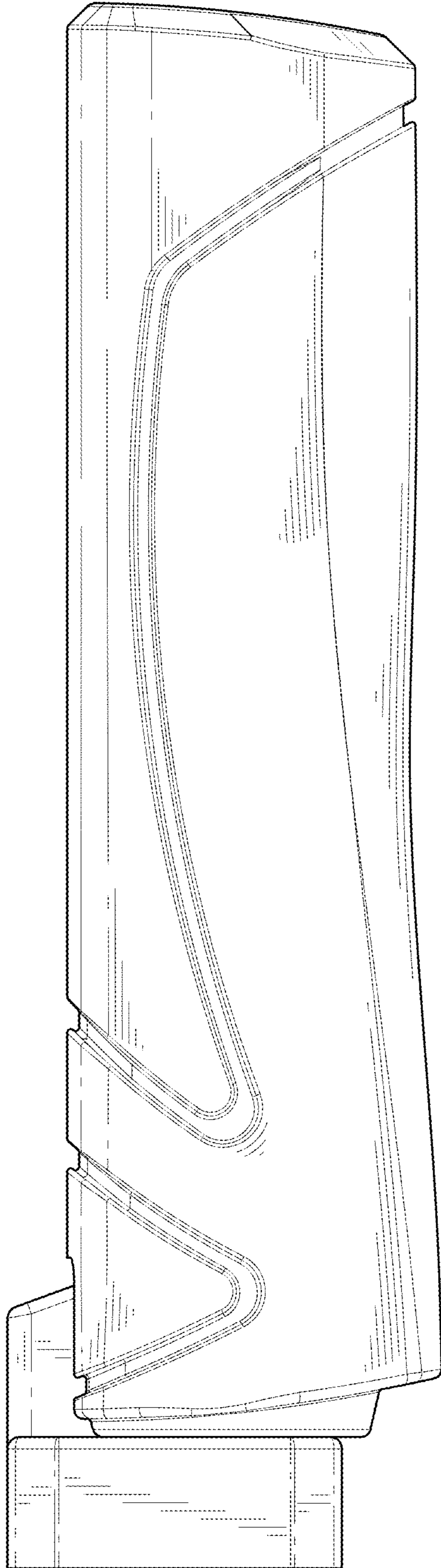


FIG. 4

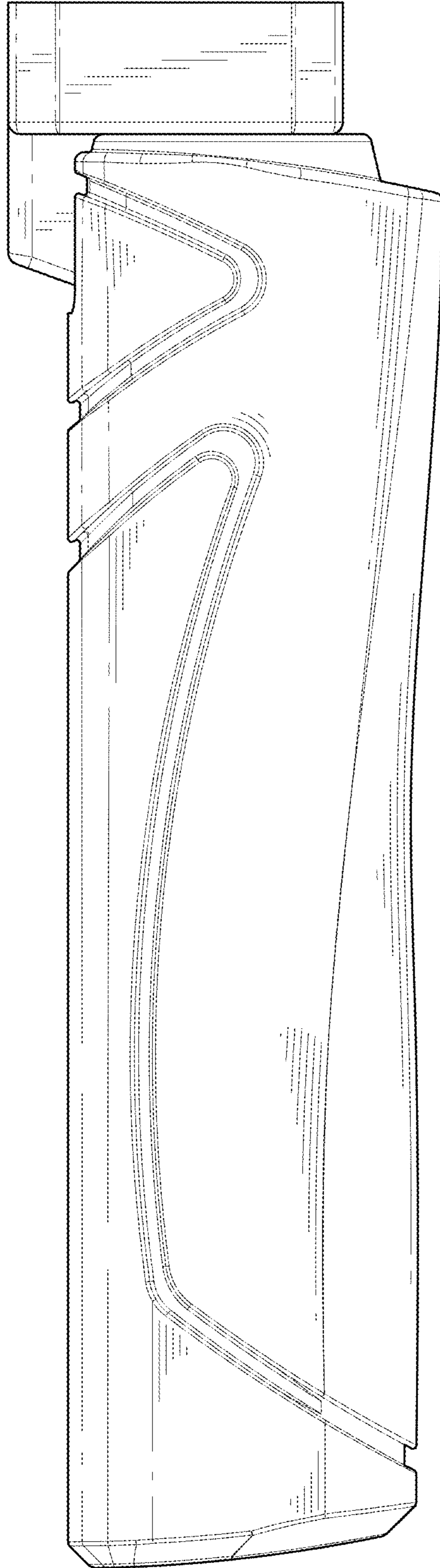


FIG. 5

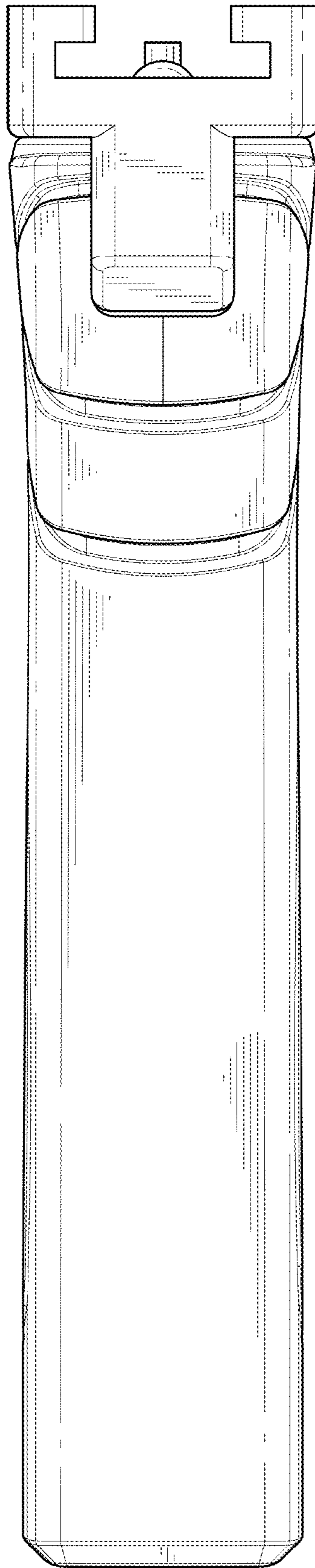


FIG. 6

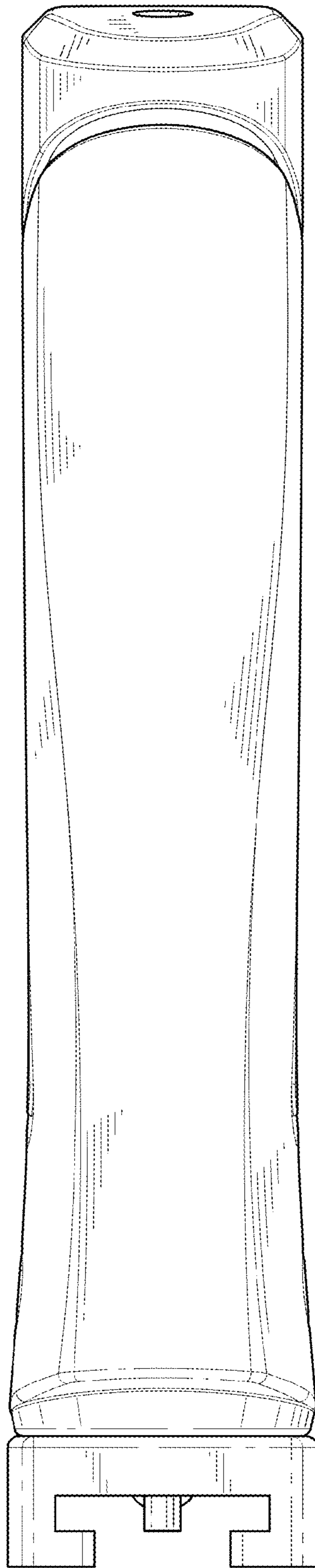


FIG. 7

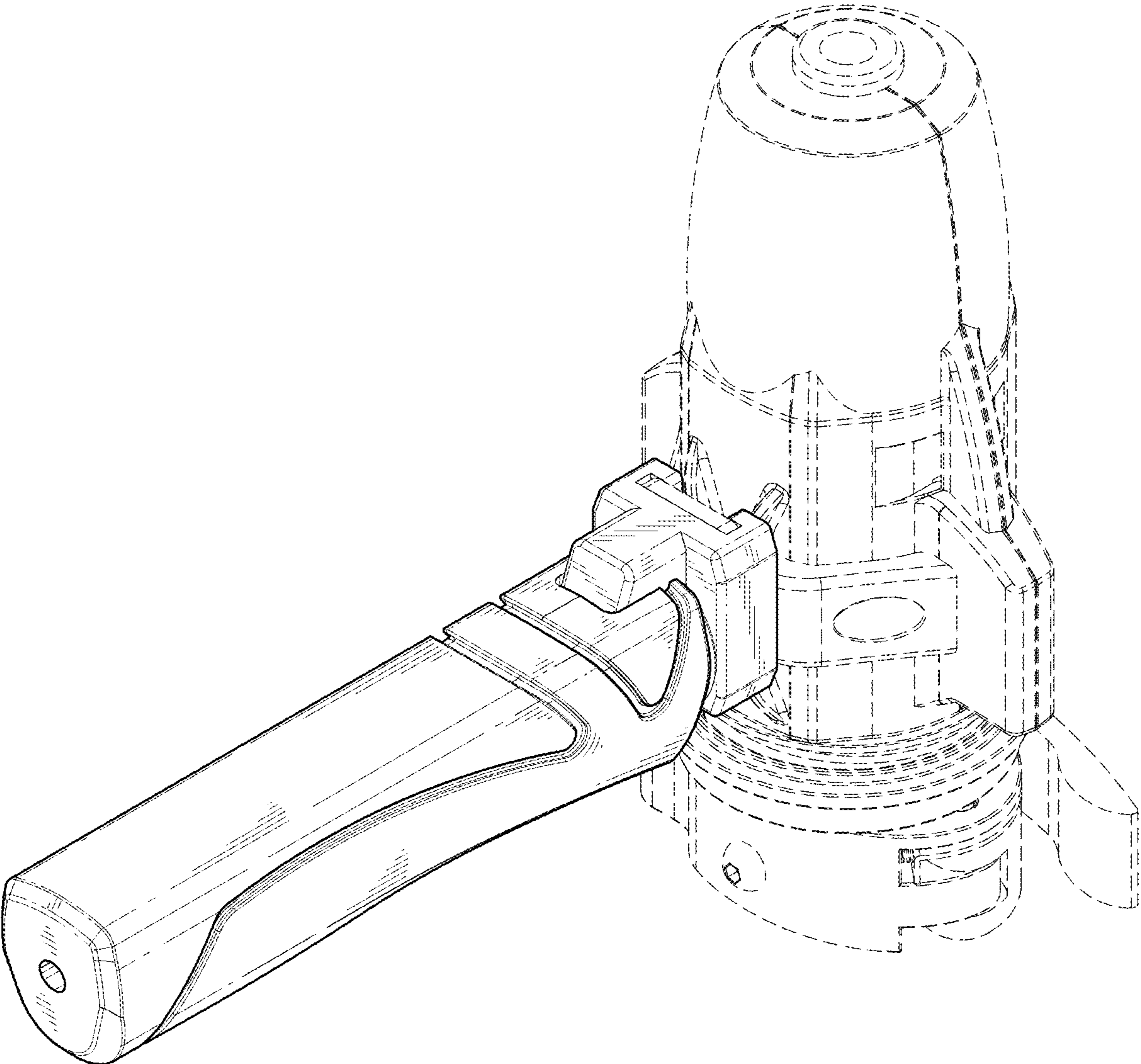


FIG. 8