



US00D924029S

(12) **United States Design Patent** (10) **Patent No.:** **US D924,029 S**
DeBellis (45) **Date of Patent:** **** Jul. 6, 2021**

- (54) **DRILL POWERED WIRE PULLER** 6,705,597 B1 * 3/2004 Reilly B60P 7/0846
254/223
- (71) Applicant: **Thomas M. DeBellis**, Canyon Lake, CA (US) D489,157 S * 4/2004 Lawson D34/33
D513,650 S 1/2006 Elliott
- (72) Inventor: **Thomas M. DeBellis**, Canyon Lake, CA (US) 7,278,808 B1 10/2007 Sisk, Sr. et al.
7,357,612 B1 4/2008 Paul
7,410,336 B2 * 8/2008 Parks B60P 7/0846
279/144

(Continued)

Primary Examiner — Darlington Ly

(74) *Attorney, Agent, or Firm* — Rutan & Tucker, LLP

(**) Term: **15 Years**

(21) Appl. No.: **29/682,042**

(22) Filed: **Mar. 1, 2019**

Related U.S. Application Data

- (63) Continuation of application No. 29/603,787, filed on May 12, 2017, now Pat. No. Des. 842,063.
- (51) **LOC (13) Cl.** **08-05**
- (52) **U.S. Cl.**
USPC **D8/70**
- (58) **Field of Classification Search**
USPC D8/14.1, 61-70, 359, 394; D34/33;
D23/233
CPC B66D 1/02; B66D 1/12; B66D 1/14; B25F
3/00
See application file for complete search history.

(56) **References Cited**

U.S. PATENT DOCUMENTS

- D152,067 S 7/1946 Curtis
- D322,557 S * 12/1991 Cummings D8/394
- D322,920 S * 1/1992 Wolfe D8/52
- D348,758 S 7/1994 Lichtenvort
- 6,467,755 B2 10/2002 Reilly et al.
- D468,100 S * 1/2003 Bowling D3/274
- 6,682,050 B1 1/2004 Ray

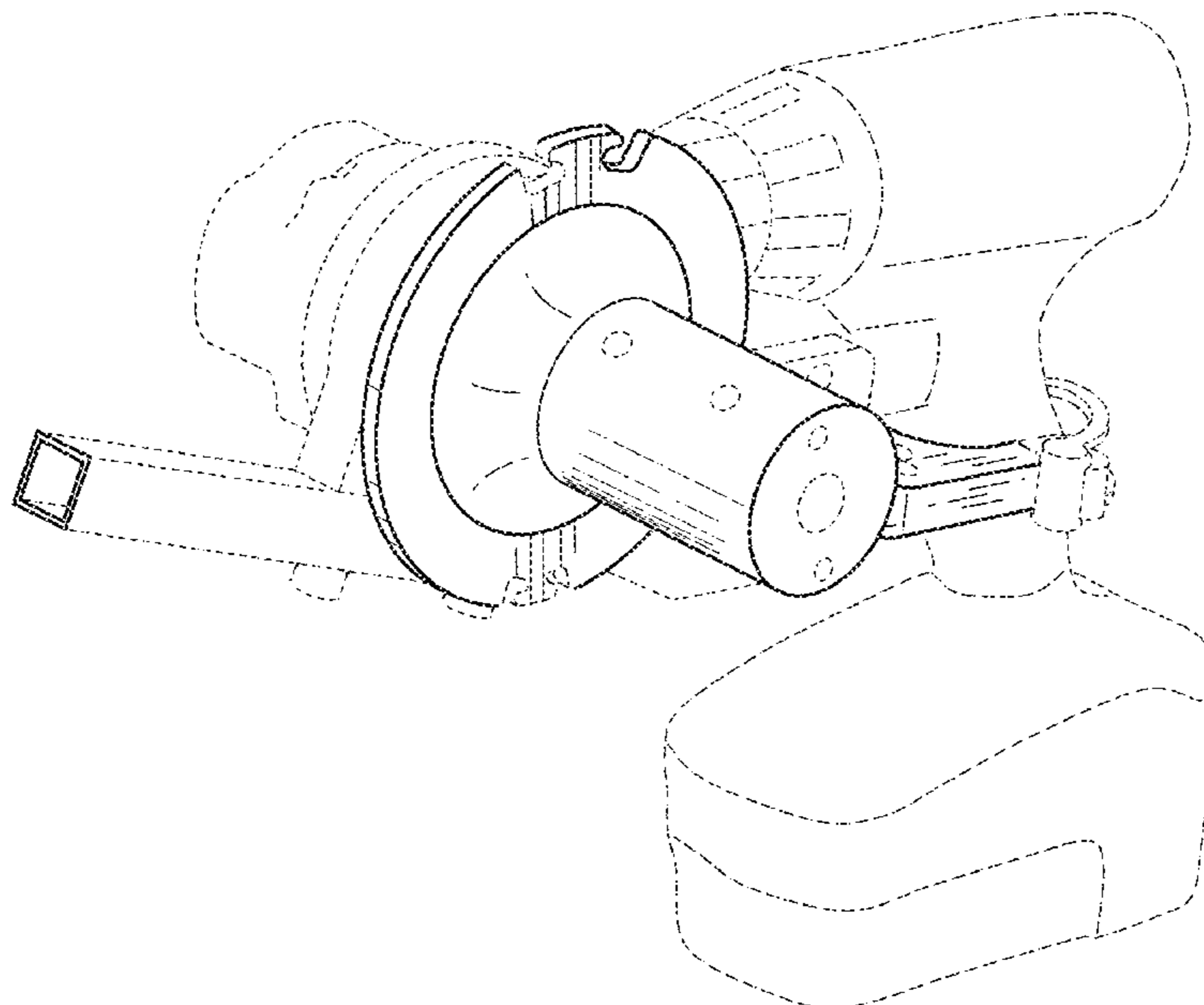
(57) **CLAIM**

The ornamental design for a drill powered wire puller, as shown and described.

DESCRIPTION

FIG. 1 is a top, front, and right side perspective view of a drill powered wire puller embodying my new design, as installed onto an environmental drill;
 FIG. 2 is a left side elevation view thereof;
 FIG. 3 is a right side elevation view thereof;
 FIG. 4 is a top plan view thereof;
 FIG. 5 is a front elevation view thereof;
 FIG. 6 is a top, rear, and right side perspective view thereof;
 FIG. 7 is a top, front, and right side perspective view thereof;
 FIG. 8 is a top, front, and left side perspective view thereof;
 FIG. 9 is a top, rear, and left side perspective view thereof in an environment of use; and,
 FIG. 10 is a top, rear, and left side perspective view thereof in an alternate environment of use.
 The even broken lines in the drawings illustrate portions of the drill powered wire puller and environmental structures of a drill and other attachments that form no part of the claimed design.
 The dot-dash-dot-dash type broken lines in the figures define the boundaries of the claimed design.

1 Claim, 7 Drawing Sheets



(56)

References Cited

U.S. PATENT DOCUMENTS

7,588,109	B2 *	9/2009	Wachendorf	B62M 6/60
				180/202
7,789,375	B2	9/2010	Ying	
8,056,884	B2	11/2011	LaFreniere	
D682,073	S *	5/2013	Payne	D8/359
D748,446	S *	2/2016	Fretz	D34/33
D751,880	S *	3/2016	Howell	D8/70
D775,448	S *	12/2016	Fretz	D34/33
D776,507	S *	1/2017	Faverio	D8/70
2011/0079967	A1 *	4/2011	Presley	B25F 3/00
				279/145
2014/0001427	A1	1/2014	Fretz et al.	

* cited by examiner

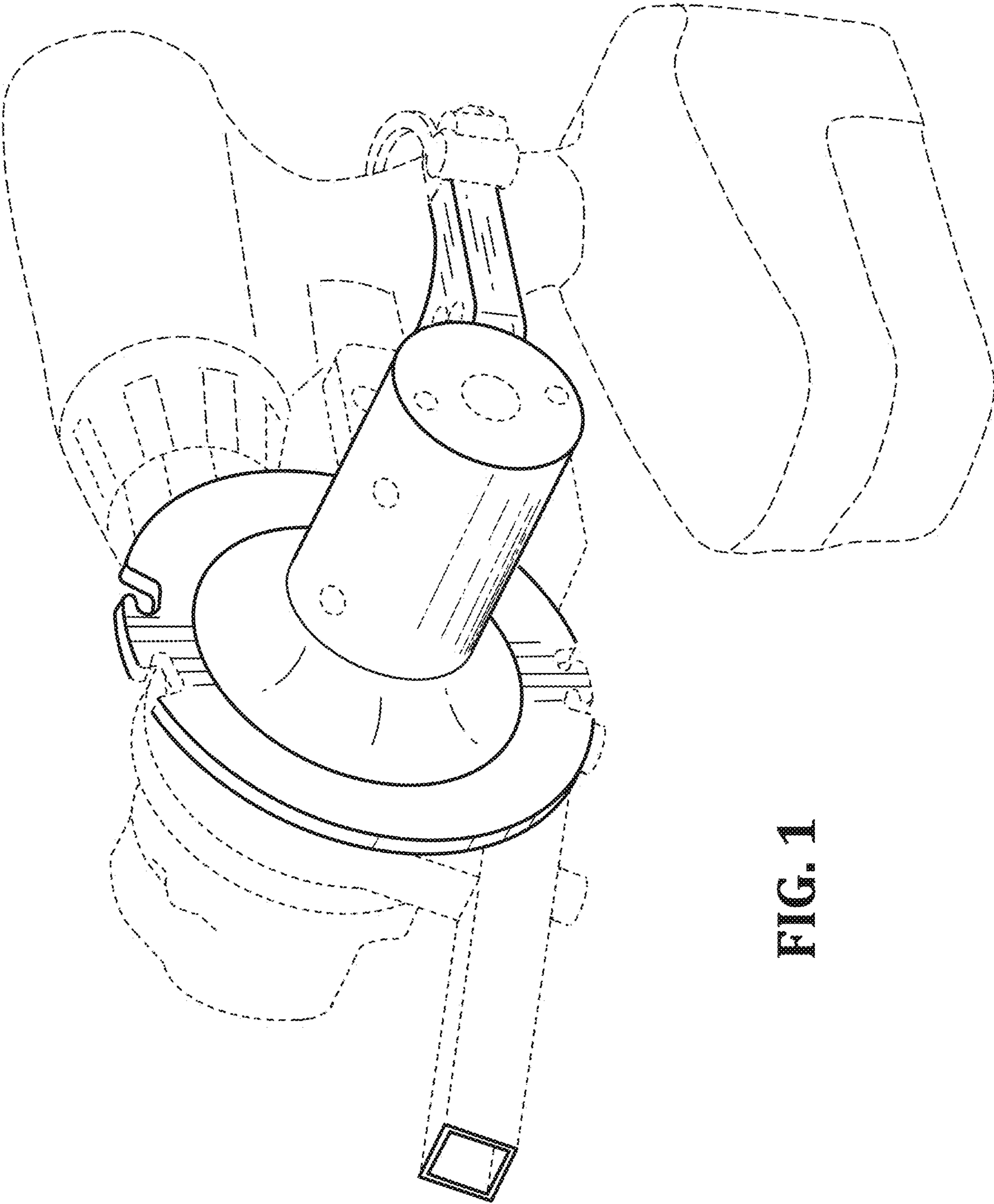


FIG. 1

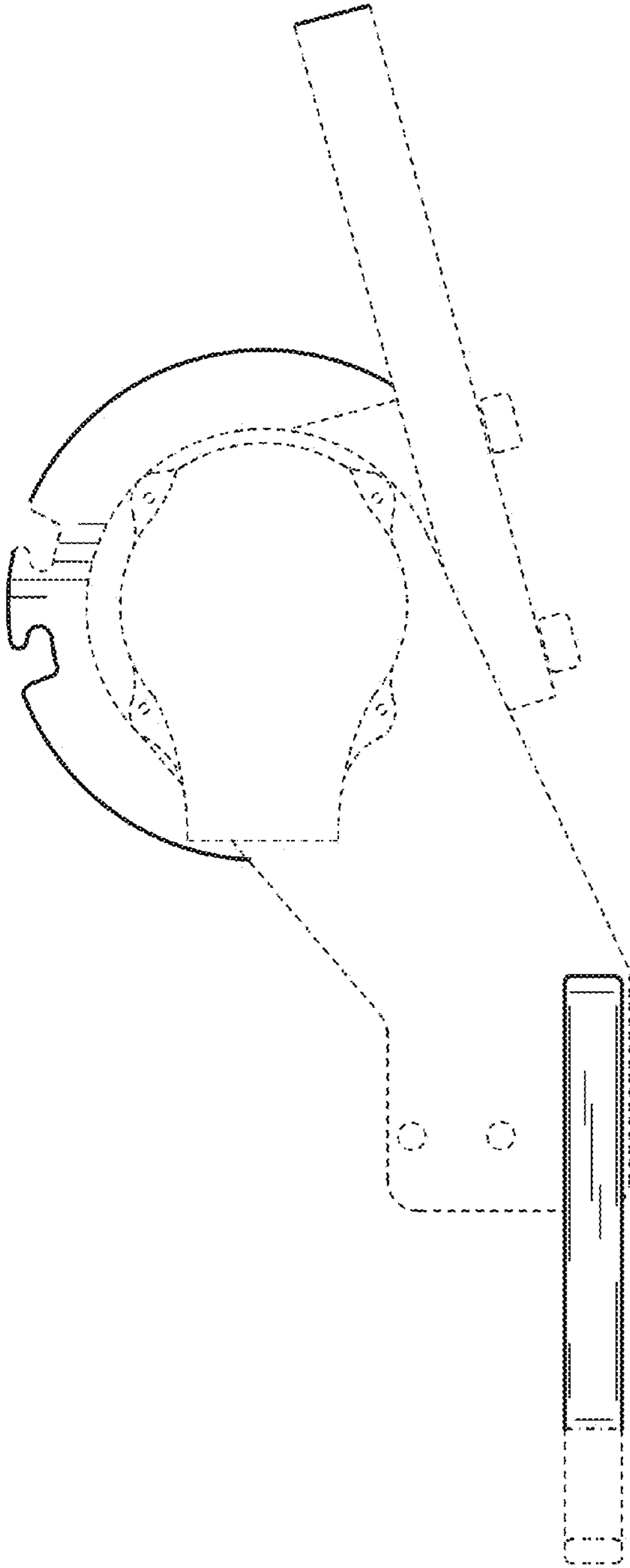


FIG. 2

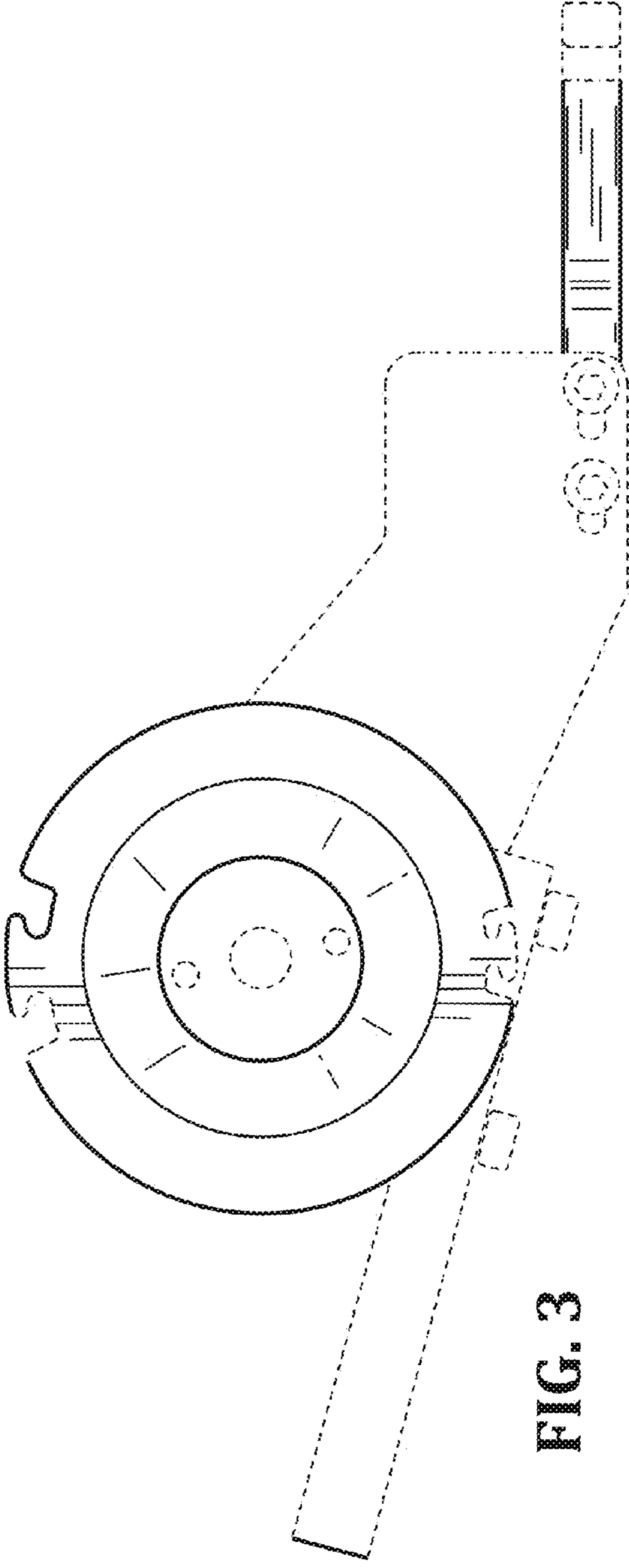


FIG. 3

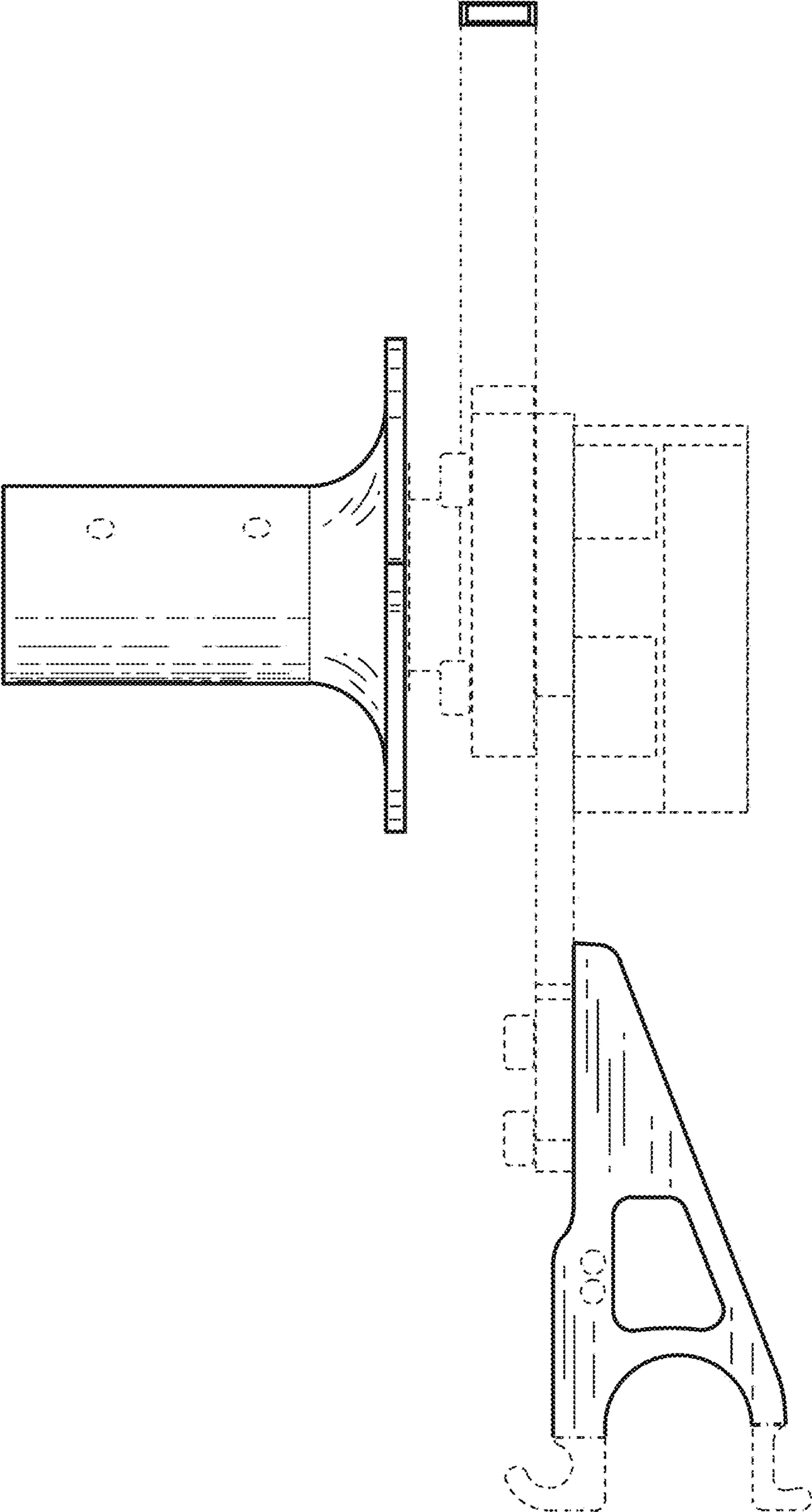
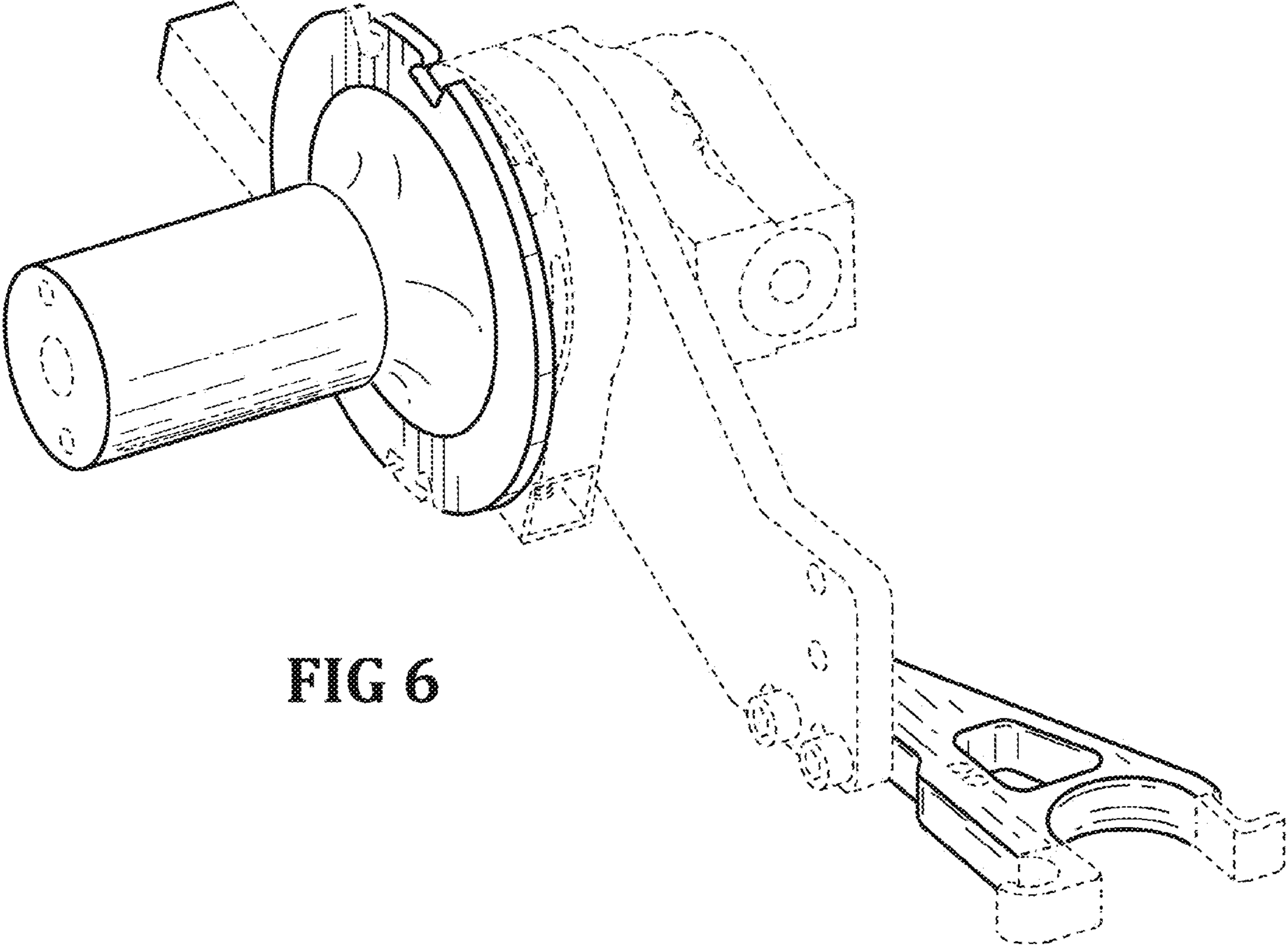
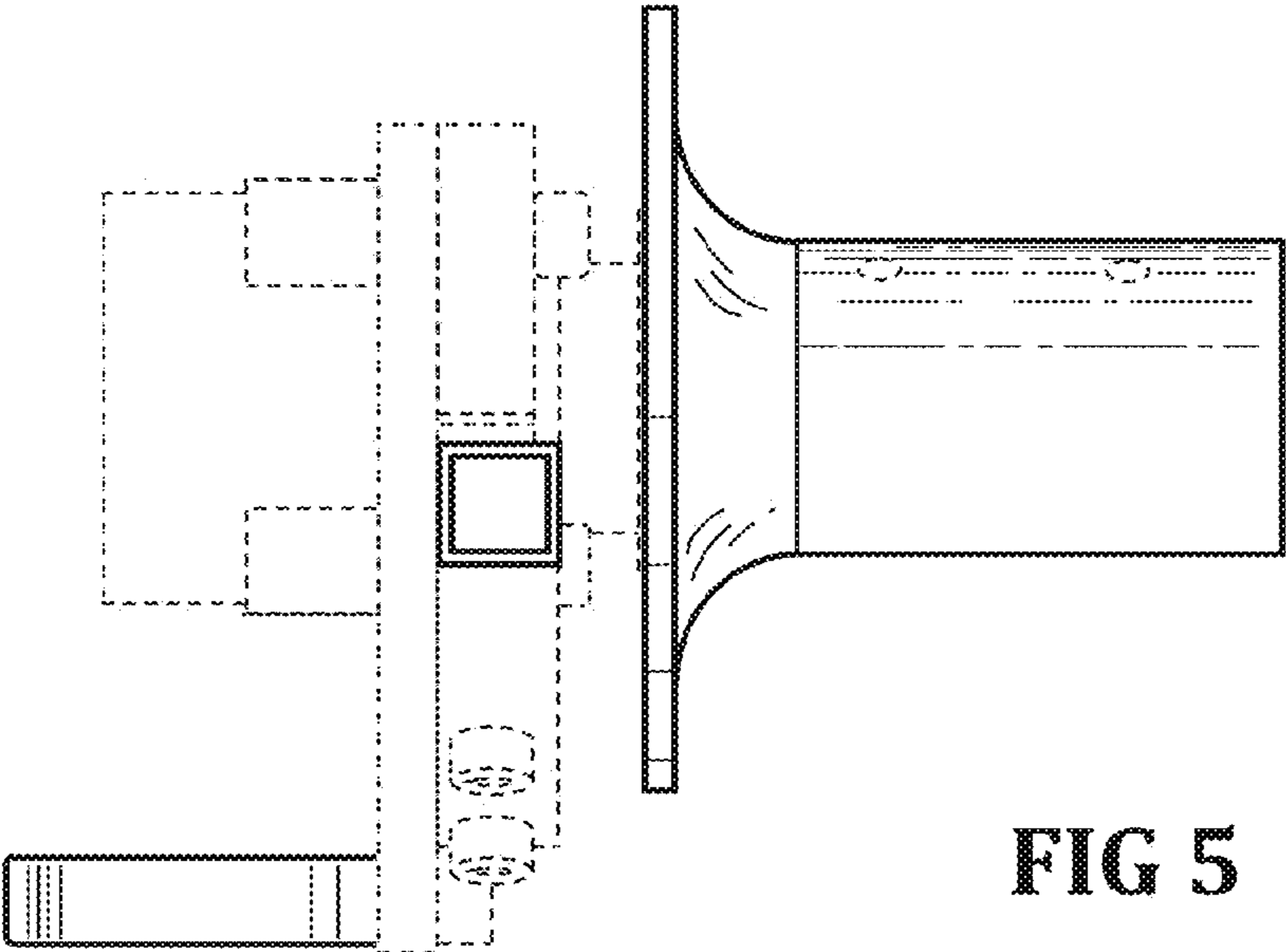


FIG. 4



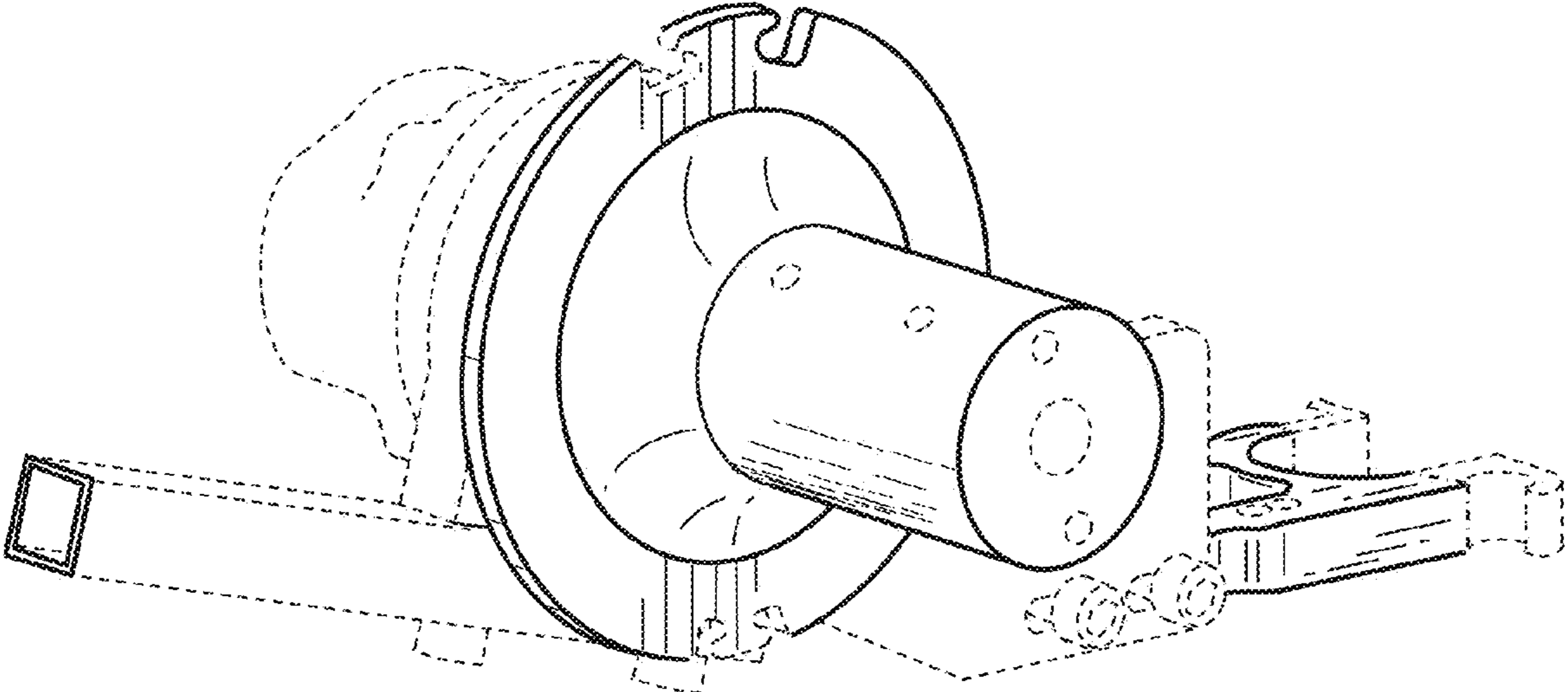


FIG 7

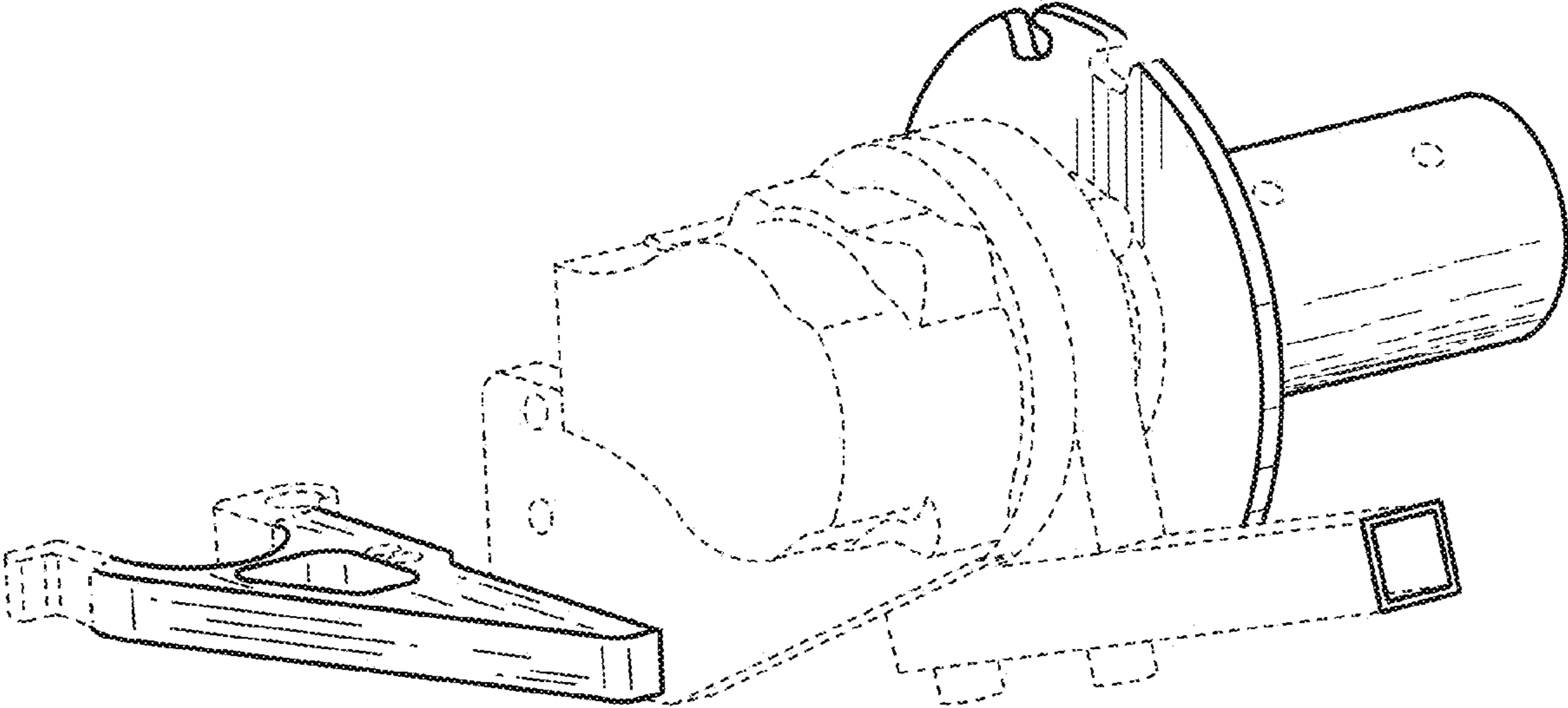


FIG 8

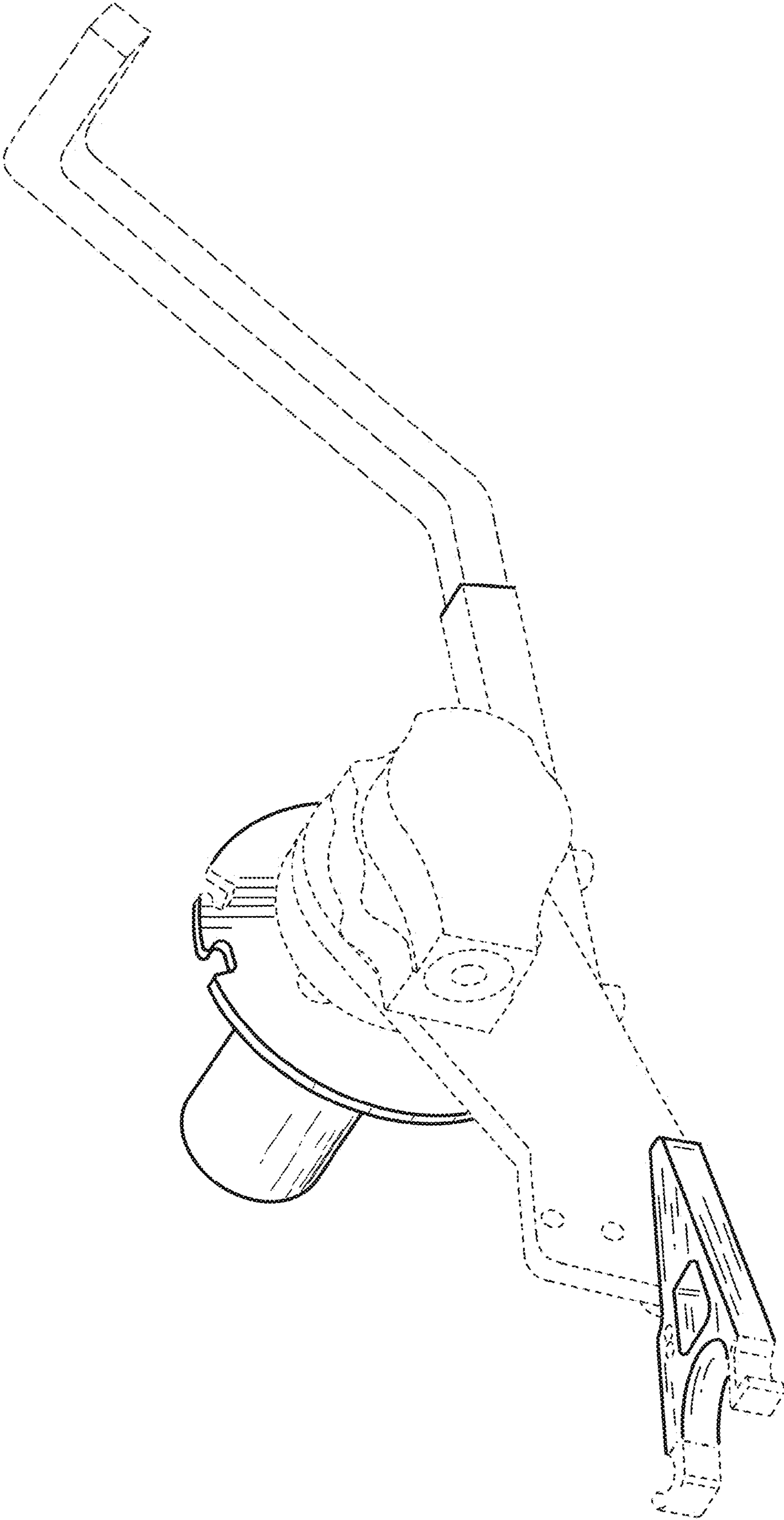


FIG. 9

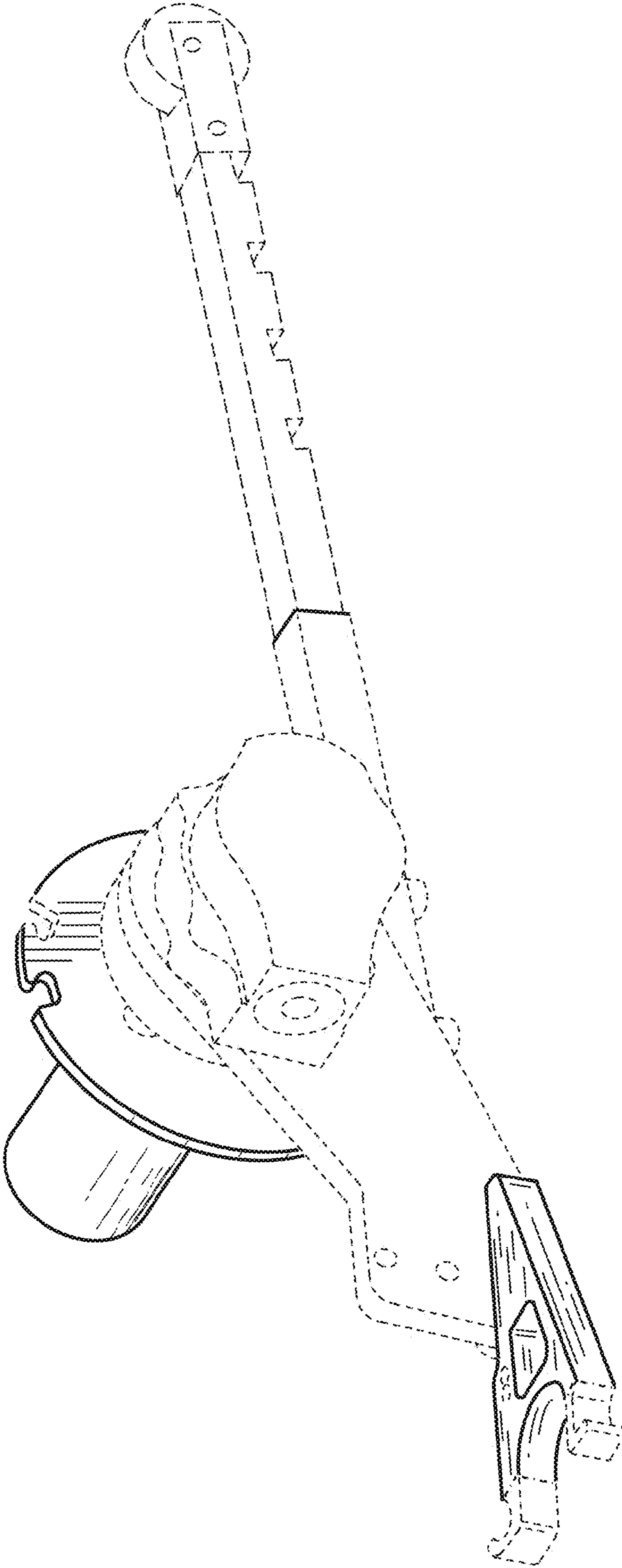


FIG. 10