



US00D924028S

(12) **United States Design Patent** (10) **Patent No.:** **US D924,028 S**
Gallahar et al. (45) **Date of Patent:** **** Jul. 6, 2021**

(54) **POLISHER**

(71) Applicant: **B&B Blending LLC**, Northglenn, CO (US)

(72) Inventors: **Christopher R. Gallahar**, Westminster, CO (US); **Derek Johnson**, Golden, CO (US)

(73) Assignee: **B&B BLENDING, LLC**, Northglenn, CO (US)

(**) Term: **15 Years**

(21) Appl. No.: **29/711,862**

(22) Filed: **Nov. 4, 2019**

(51) **LOC (13) Cl.** **08-05**

(52) **U.S. Cl.**
USPC **D8/62**

(58) **Field of Classification Search**
USPC D8/64, 62, 61, 65, 66, 67, 69; D21/532;
81/57.26, 464, 469
CPC B24D 3/06; B24D 5/02
See application file for complete search history.

(56) **References Cited**

U.S. PATENT DOCUMENTS

D392,778 S *	3/1998	McCracken	D32/19
D471,329 S *	3/2003	Heun	D32/15
9,469,007 B2 *	10/2016	Schuele	B25F 5/008
D786,643 S *	5/2017	Valentini	D8/62
D792,666 S *	7/2017	Brown	D32/19
9,818,919 B2	11/2017	Long et al.		
D827,404 S *	9/2018	Schneider	D8/62
D859,762 S *	9/2019	Brown	D32/19
D859,763 S *	9/2019	Brown	D32/19
D860,556 S *	9/2019	Brown	D32/19
10,399,200 B2	9/2019	Lipson		
D863,013 S *	10/2019	Kawase	D8/61
2004/0103490 A1	6/2004	Long et al.		
2009/0056042 A1	3/2009	Pena		
2009/0124184 A1	5/2009	Greer et al.		

2015/0099440 A1	4/2015	Valentini		
2015/0204528 A1	7/2015	Zeng et al.		
2017/0106491 A1 *	4/2017	Ishikawa	B24B 23/02
2018/0222011 A1 *	8/2018	Eisenblaetter	H02K 7/145
2019/0001459 A1 *	1/2019	Valentini	B24D 13/20
2019/0070705 A1 *	3/2019	Ishikawa	B24D 13/14
2019/0128392 A1 *	5/2019	McLain	F16C 3/28

(Continued)

OTHER PUBLICATIONS

Flex Polisher Tool (Includes 1 Backing Pad) _ Electric Tools _ Hand Tools _ Tools _ Wurth USA, Mar. 11, 2021, wurthusa.com, Mar. 11, 2021, <https://www.wurthusa.com/Tools/Hand-Tools/Electric-Tools/Flex-Polisher-Tool-%28Includes-1-Backing-Pad%29/p/0702990120> (Year: 2021).*

(Continued)

Primary Examiner — Susan Bennett Hattan
Assistant Examiner — Elizabeth S Ko
(74) *Attorney, Agent, or Firm* — Neugeboren O'Dowd PC

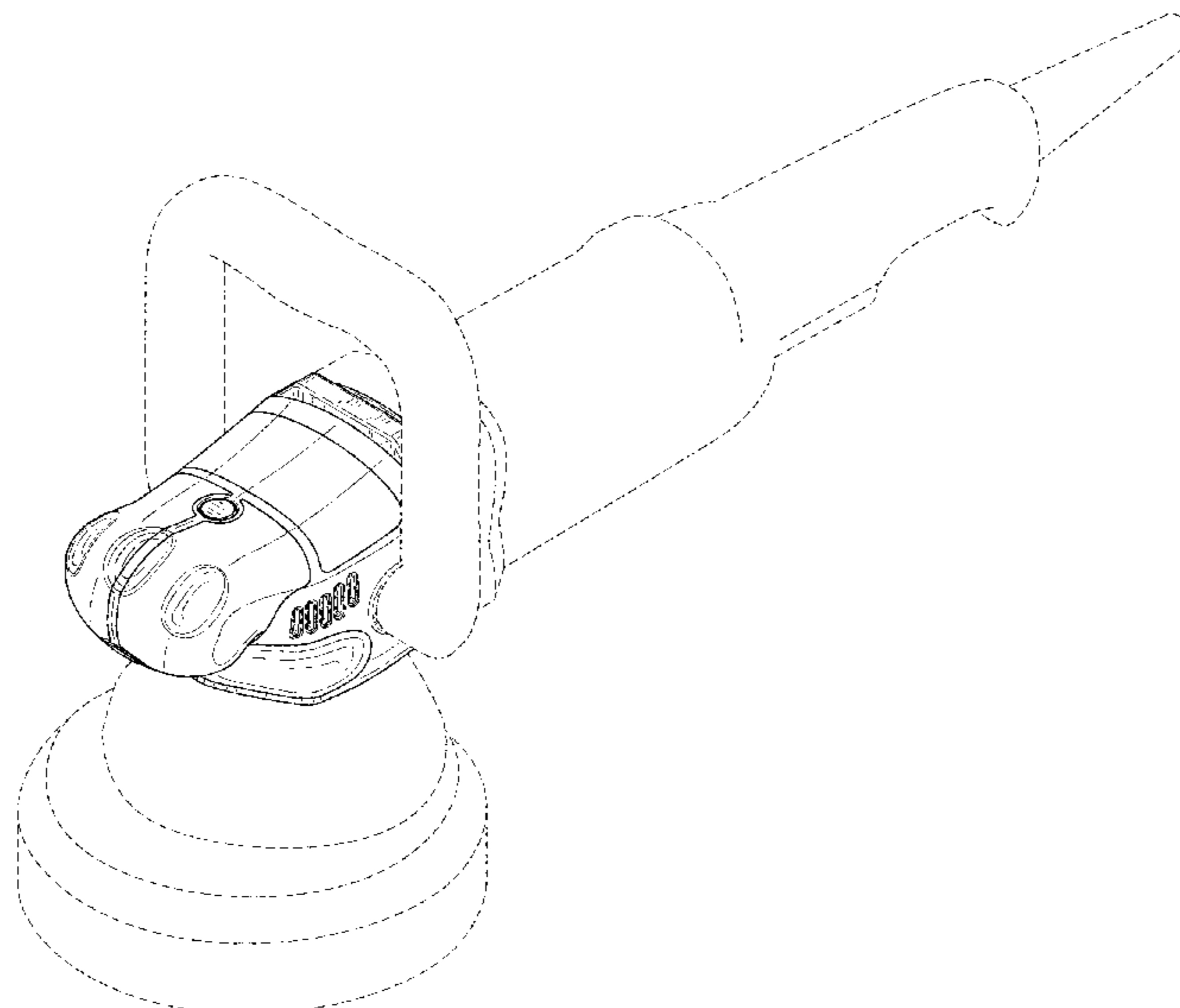
(57) **CLAIM**

The ornamental design for a polisher, as shown and described.

DESCRIPTION

FIG. 1 is a perspective view of a polisher with the body of the polisher shown in broken lines;
FIG. 2 is a perspective view of the polisher of FIG. 1 with the broken lines removed to show claimed features;
FIG. 3 is a first side view of the polisher in FIG. 1;
FIG. 4 is a second side view of the polisher in FIG. 1;
FIG. 5 is a front view of the polisher in FIG. 1;
FIG. 6 is a back view of the polisher in FIG. 1;
FIG. 7 is a top view of the polisher in FIG. 1; and,
FIG. 8 is a bottom of the polisher in FIG. 1.
The broken lines in the drawing depict portions of the polisher that form no part of the claimed design.

1 Claim, 8 Drawing Sheets



(56)

References Cited

U.S. PATENT DOCUMENTS

2019/0184516 A1* 6/2019 Schneider B24B 45/006
2019/0207539 A1* 7/2019 Westerby B25F 5/00

OTHER PUBLICATIONS

Dual Action Polisher, Ginour Random Orbit Car Polisher,, Mar. 11, 2021, Amazon.uk.co, Jun. 9, 2019, <https://www.amazon.co.uk/Polishers-TOPVORK-Dual-Action-2000-6400OPM-Performance/dp/B07SQQ4JWQ> (Year: 2019).*

* cited by examiner

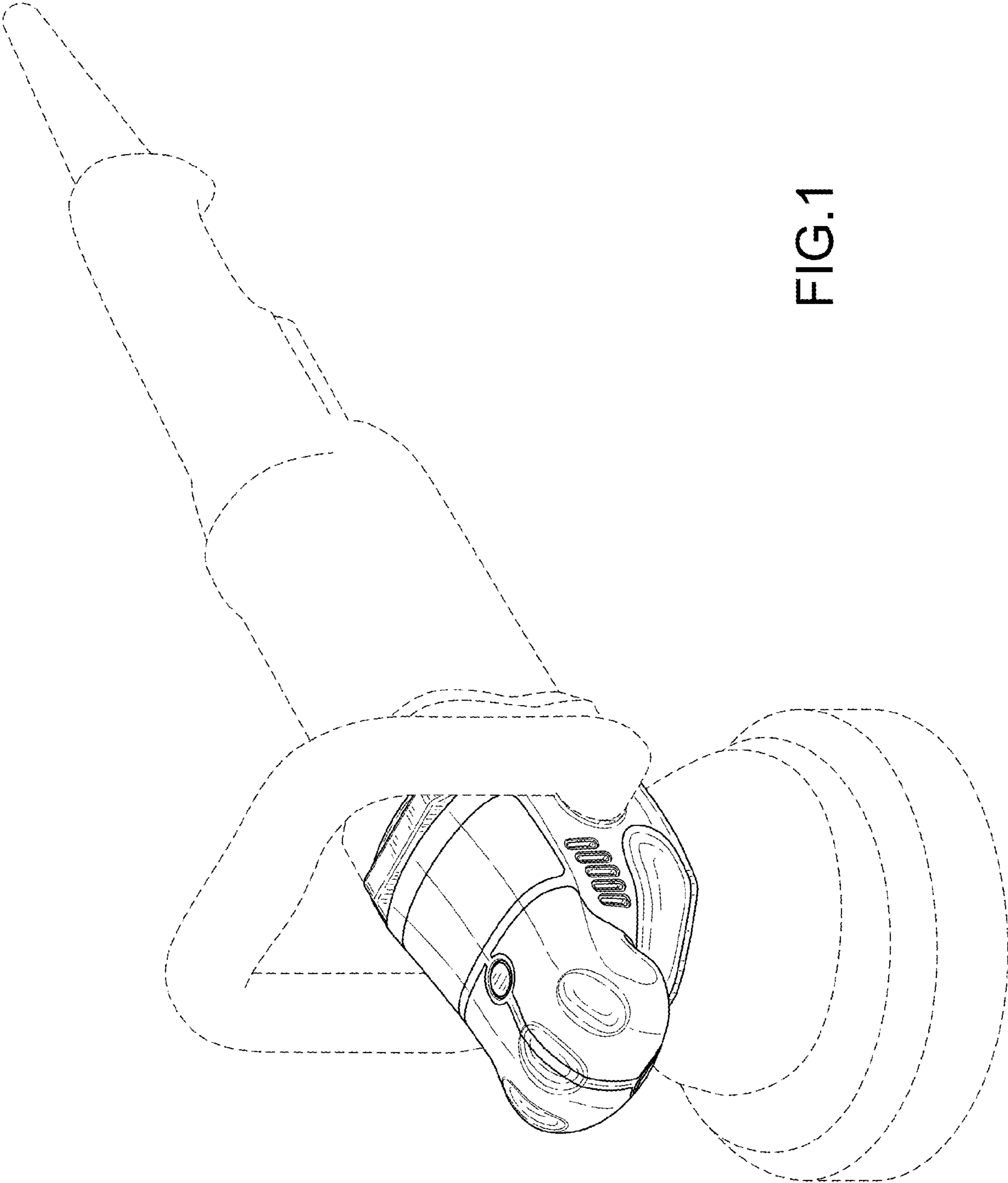


FIG.1

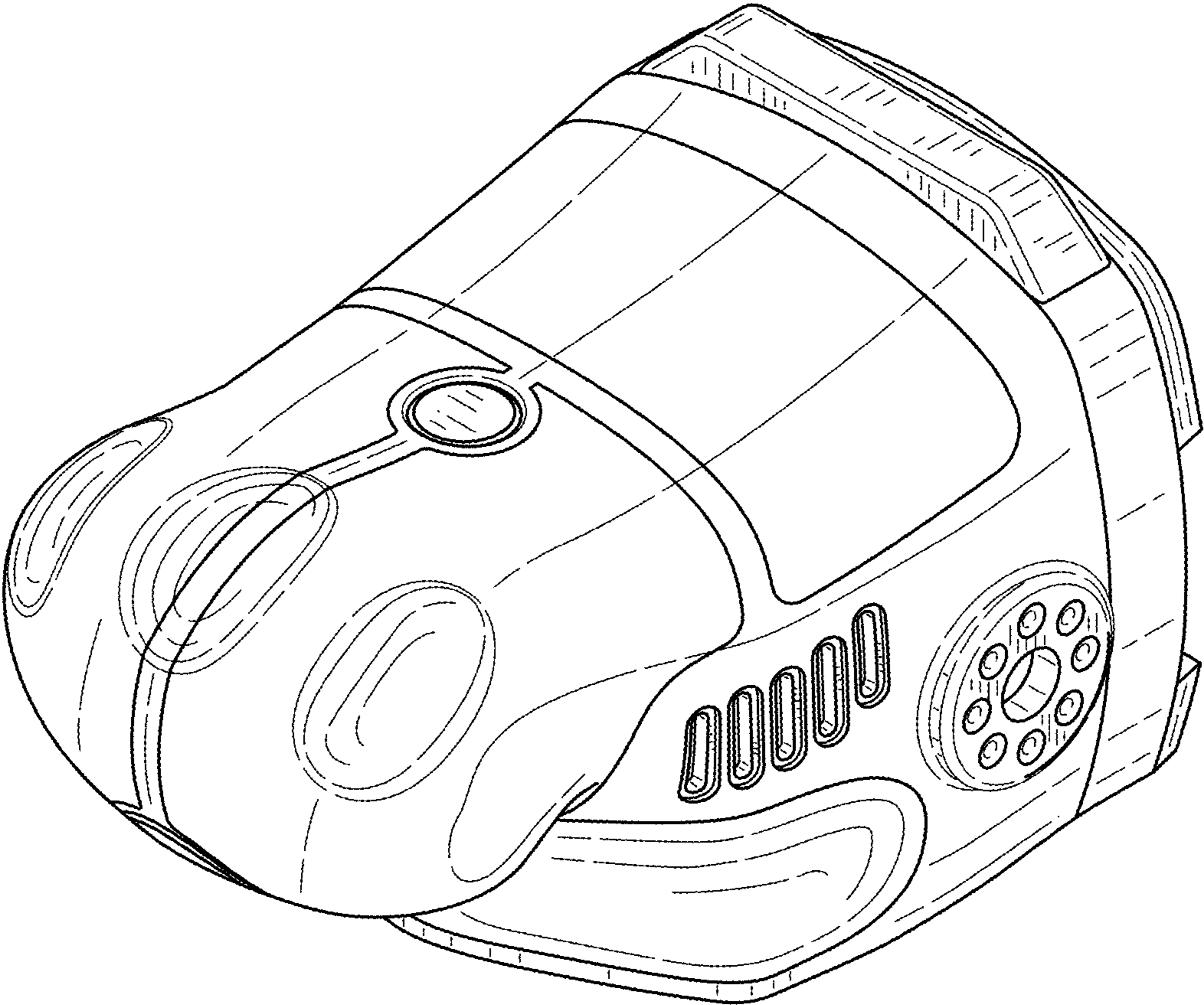


FIG.2

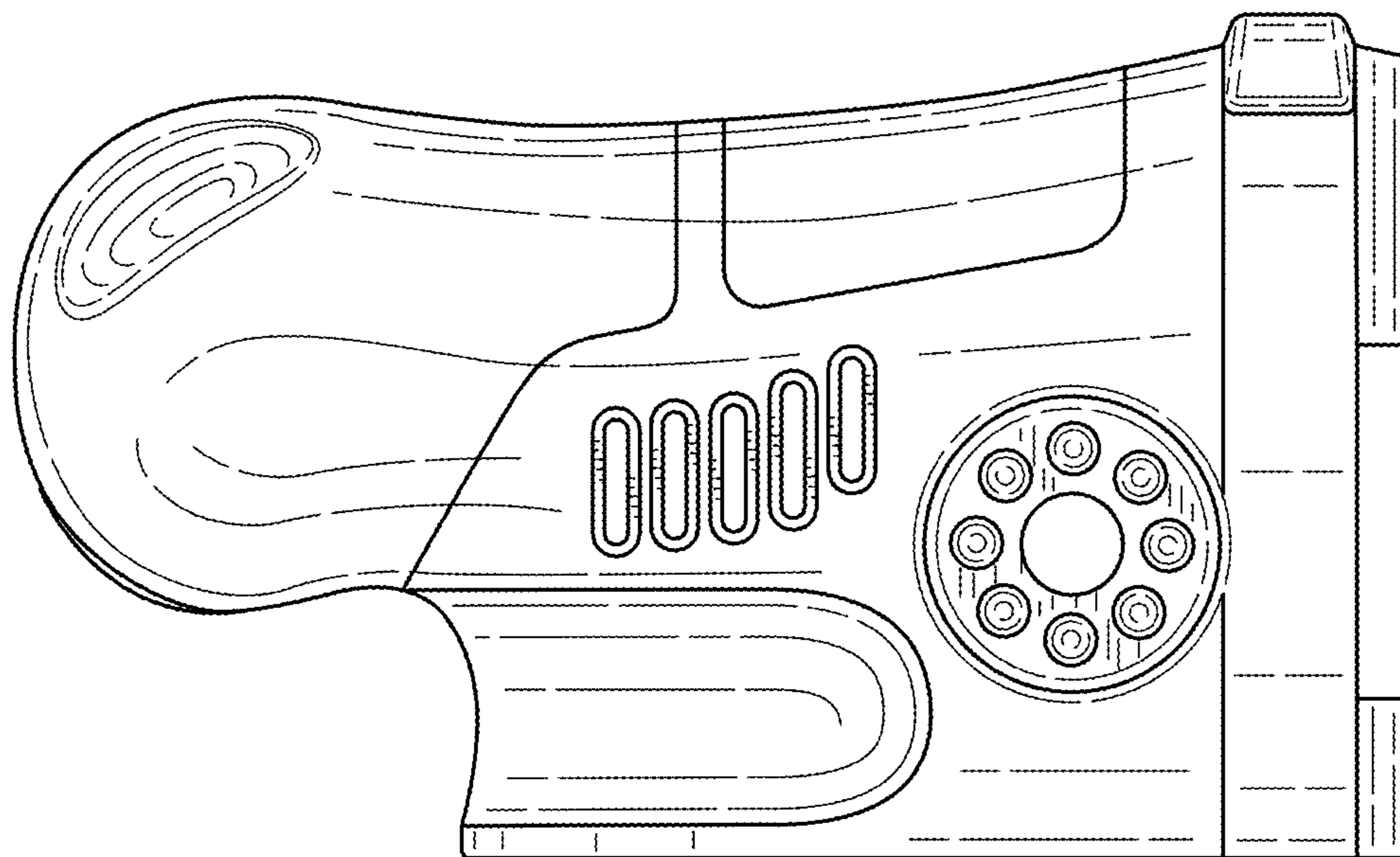


FIG.3

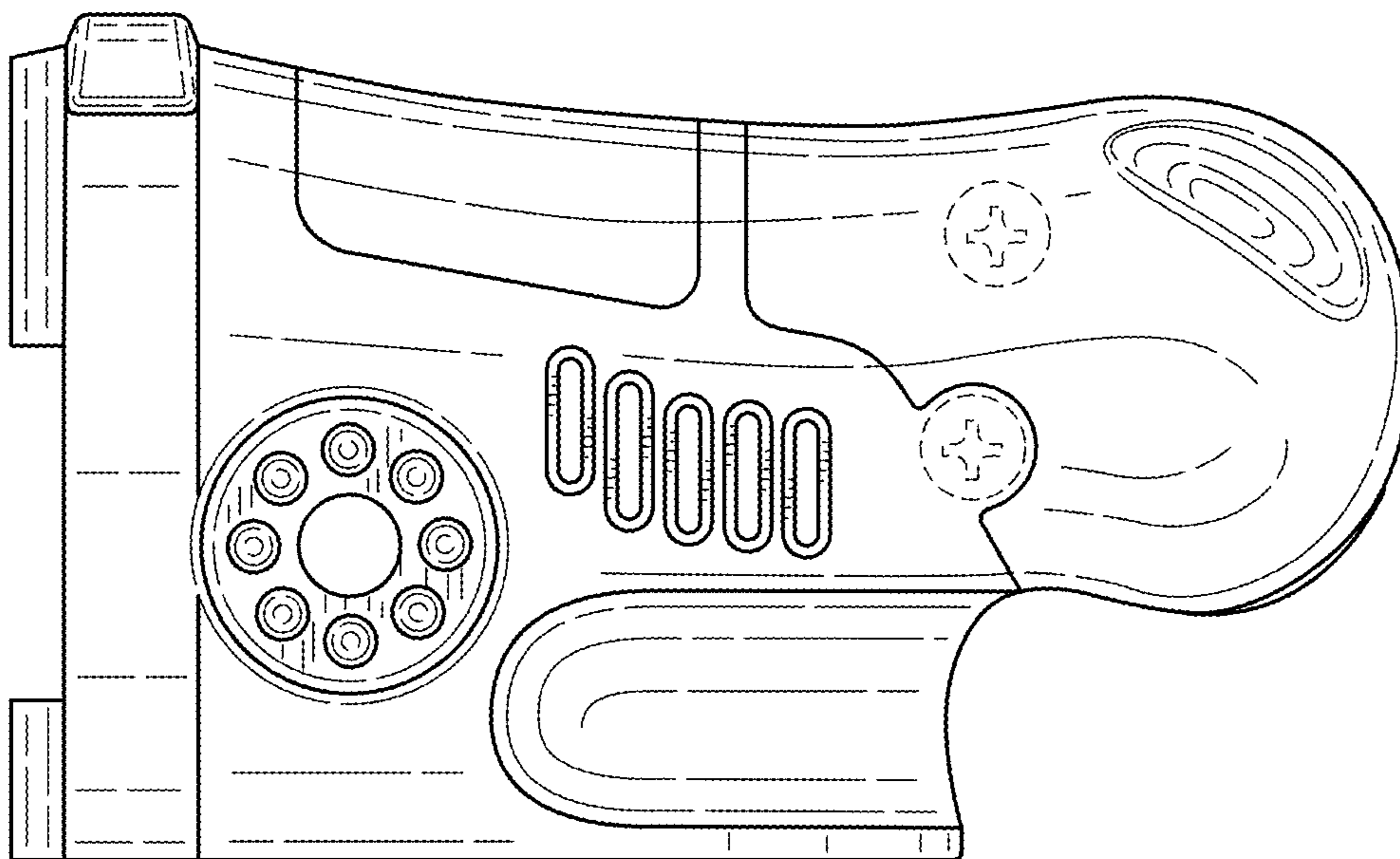


FIG.4

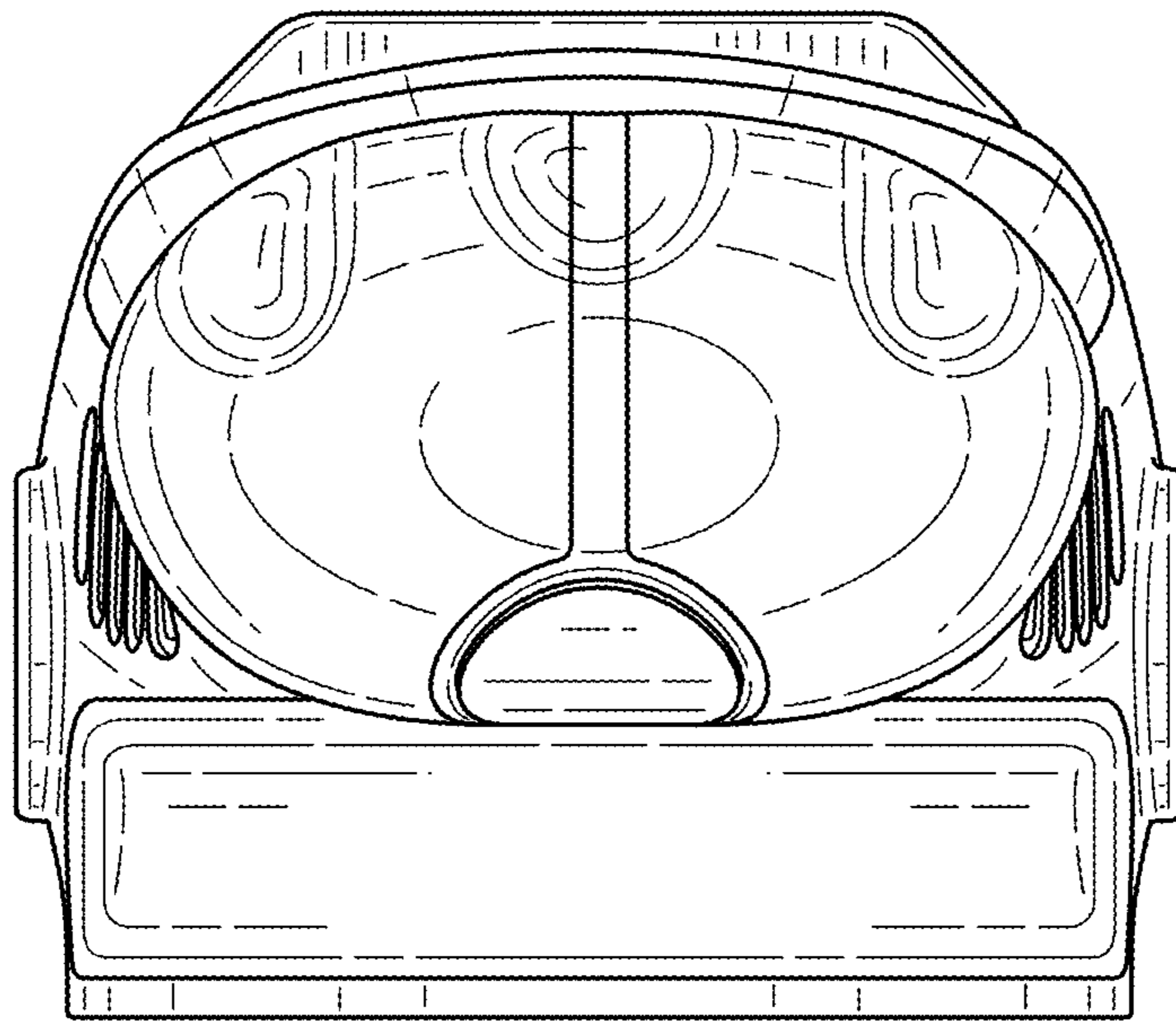


FIG.5

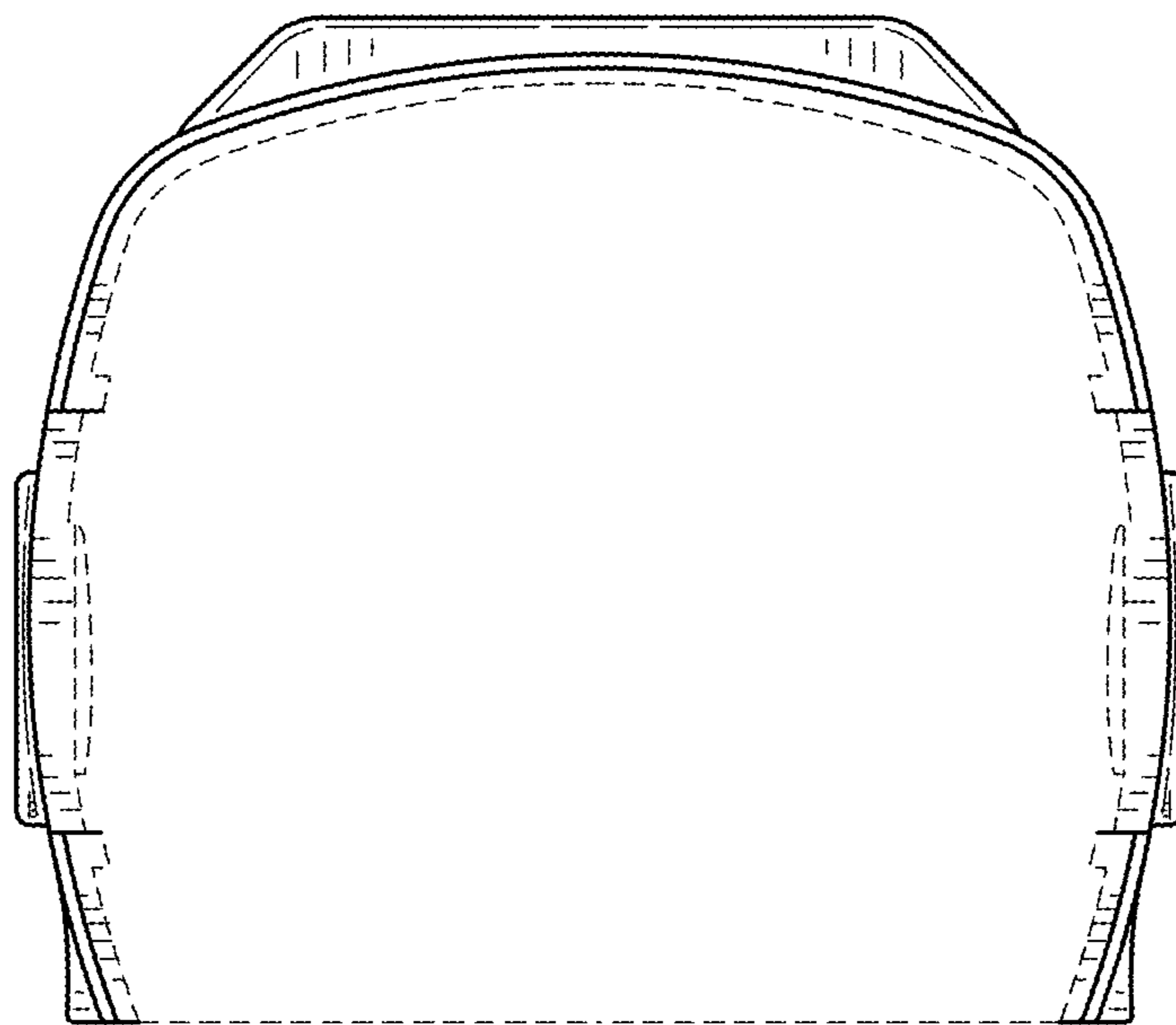


FIG.6

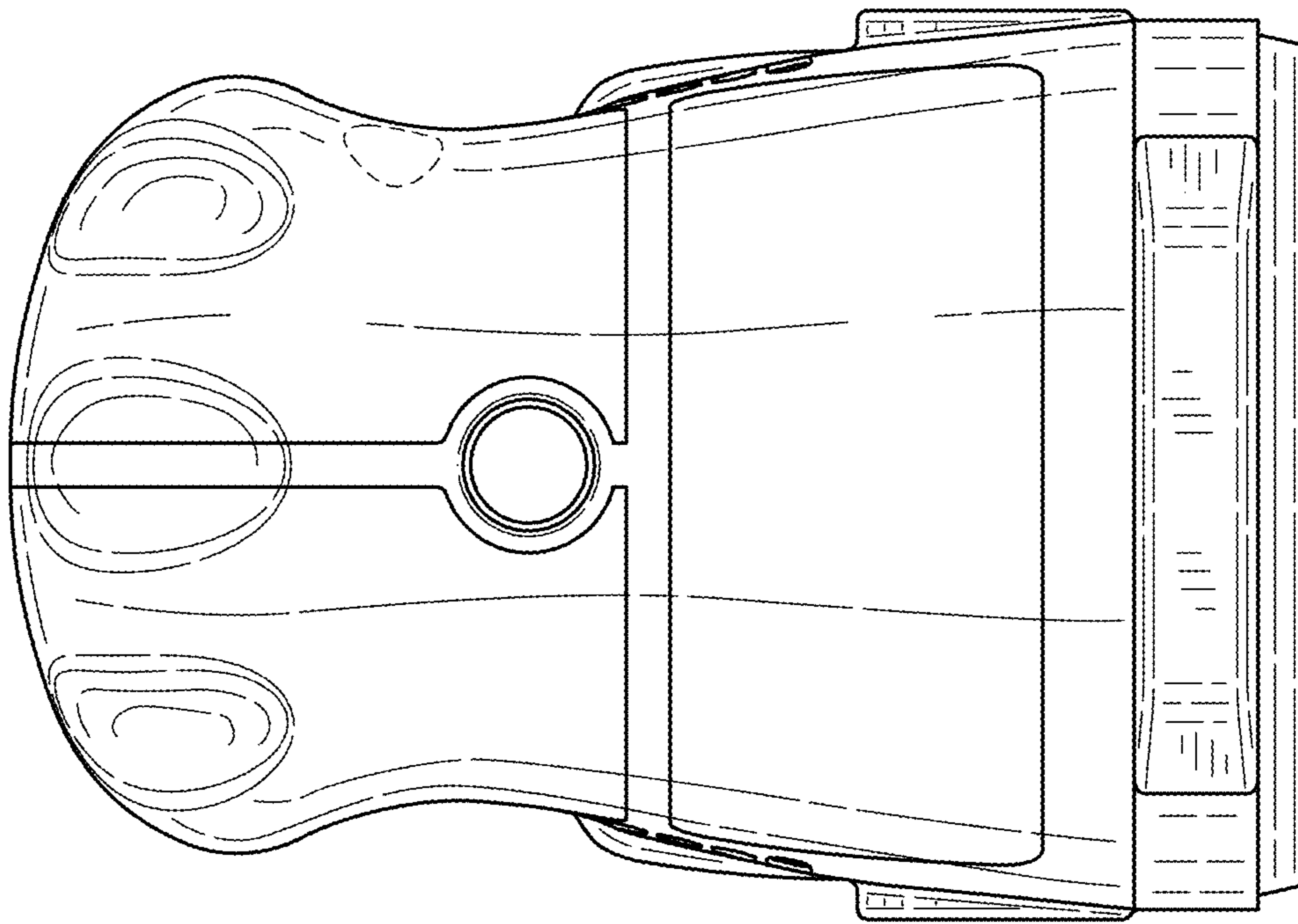


FIG.7

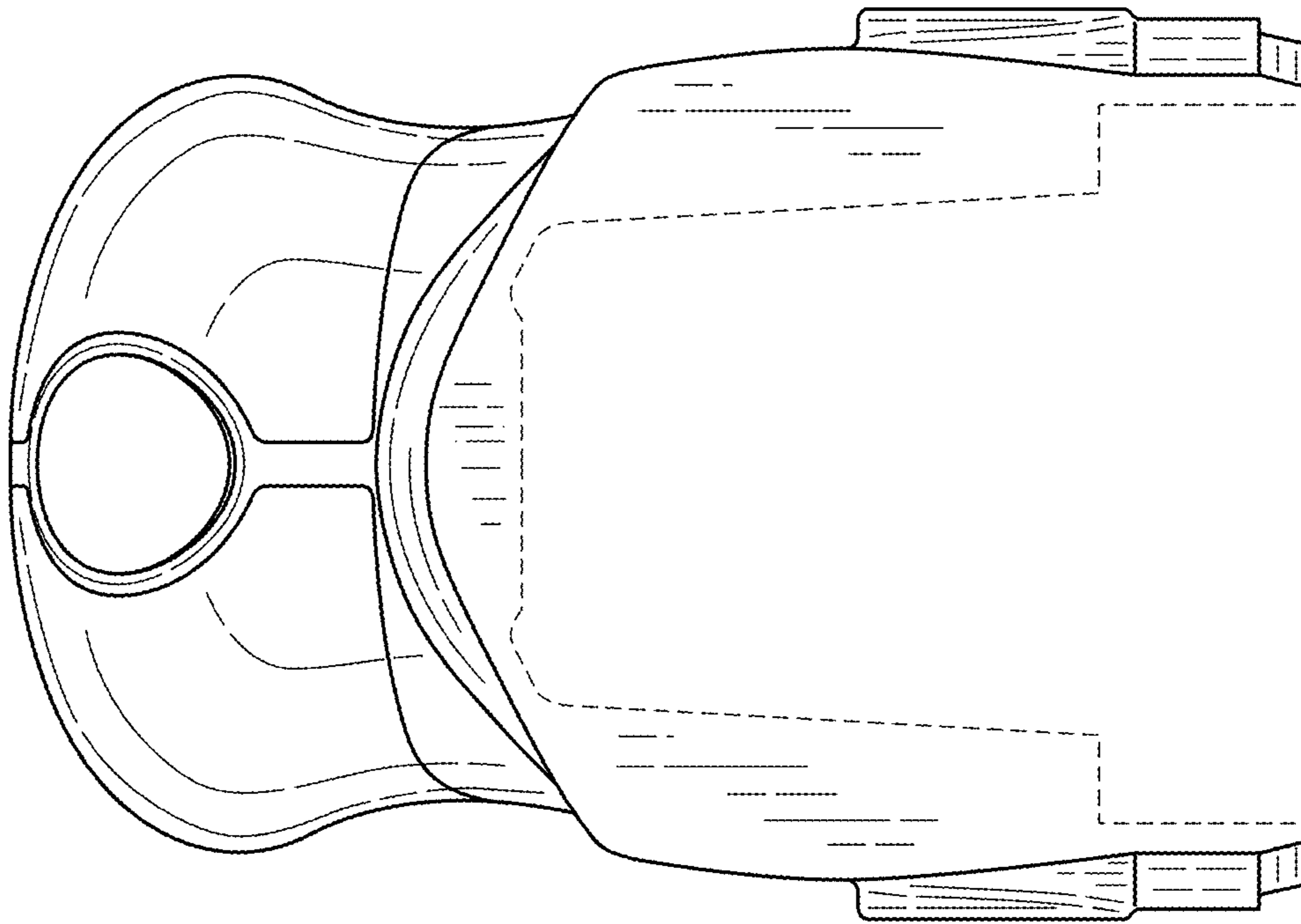


FIG.8