



US00D924027S

(12) **United States Design Patent** (10) **Patent No.:** **US D924,027 S**
Pomar et al. (45) **Date of Patent:** **** Jul. 6, 2021**

(54) **BULB REMOVAL TOOL**
(71) Applicants: **Bernadette Pomar**, Vallejo, CA (US);
Abner Pomar, Vallejo, CA (US)
(72) Inventors: **Bernadette Pomar**, Vallejo, CA (US);
Abner Pomar, Vallejo, CA (US)
(**) Term: **15 Years**
(21) Appl. No.: **29/720,650**
(22) Filed: **Jan. 15, 2020**
(51) **LOC (13) Cl.** **08-05**
(52) **U.S. Cl.**
USPC **D8/52**
(58) **Field of Classification Search**
USPC D8/14, 51, 52; D28/55; D7/686
See application file for complete search history.

D419,840 S * 2/2000 Su D8/52
D551,900 S * 10/2007 Glander D7/393
D596,910 S * 7/2009 Whitehead
D717,002 S * 11/2014 Johnston D28/55
D723,880 S * 3/2015 Henry D7/686
D821,839 S * 7/2018 Tzeng D8/51
D826,656 S * 8/2018 Loshuk D7/686
D831,441 S * 10/2018 Brucker B26D 3/283
D7/686
2005/0035614 A1 * 2/2005 Wessel H01K 3/32
294/99.2
2007/0003754 A1 * 1/2007 Okada B25B 9/02
428/323

(56) **References Cited**
U.S. PATENT DOCUMENTS
2,667,094 A 1/1954 Potter
3,895,214 A 7/1975 Winter
3,906,957 A * 9/1975 Weston A61B 17/30
606/205
D246,280 S * 11/1977 Daenen D7/686
D255,089 S * 5/1980 Walker D7/686
4,389,912 A 6/1983 Dallons et al.
4,475,283 A 10/1984 Olson et al.
D299,996 S * 2/1989 Tucker D7/686
4,841,819 A 6/1989 Williams
D310,468 S * 9/1990 Feng H05K 13/0447
D8/14
D317,106 S * 5/1991 Kosurko D7/686
5,019,091 A * 5/1991 Porat A61B 17/30
606/205
5,044,058 A 9/1991 Voss
D325,501 S * 4/1992 Feng D8/52
D331,527 S * 12/1992 Feng D8/52
D340,173 S * 10/1993 Feng D28/55
D354,095 S * 1/1995 Aspinwall D22/149
5,458,029 A 10/1995 Walsky

OTHER PUBLICATIONS

Mini Bulb & Fuse Plier. Product Listing [online]. © 2020 Walmart [retrieved on Jun. 20, 2019]. Retrieved from the Internet: <URL: <https://www.walmart.com/ip/MINI-BULB-FUSE-PLIER/191603992>>.

* cited by examiner

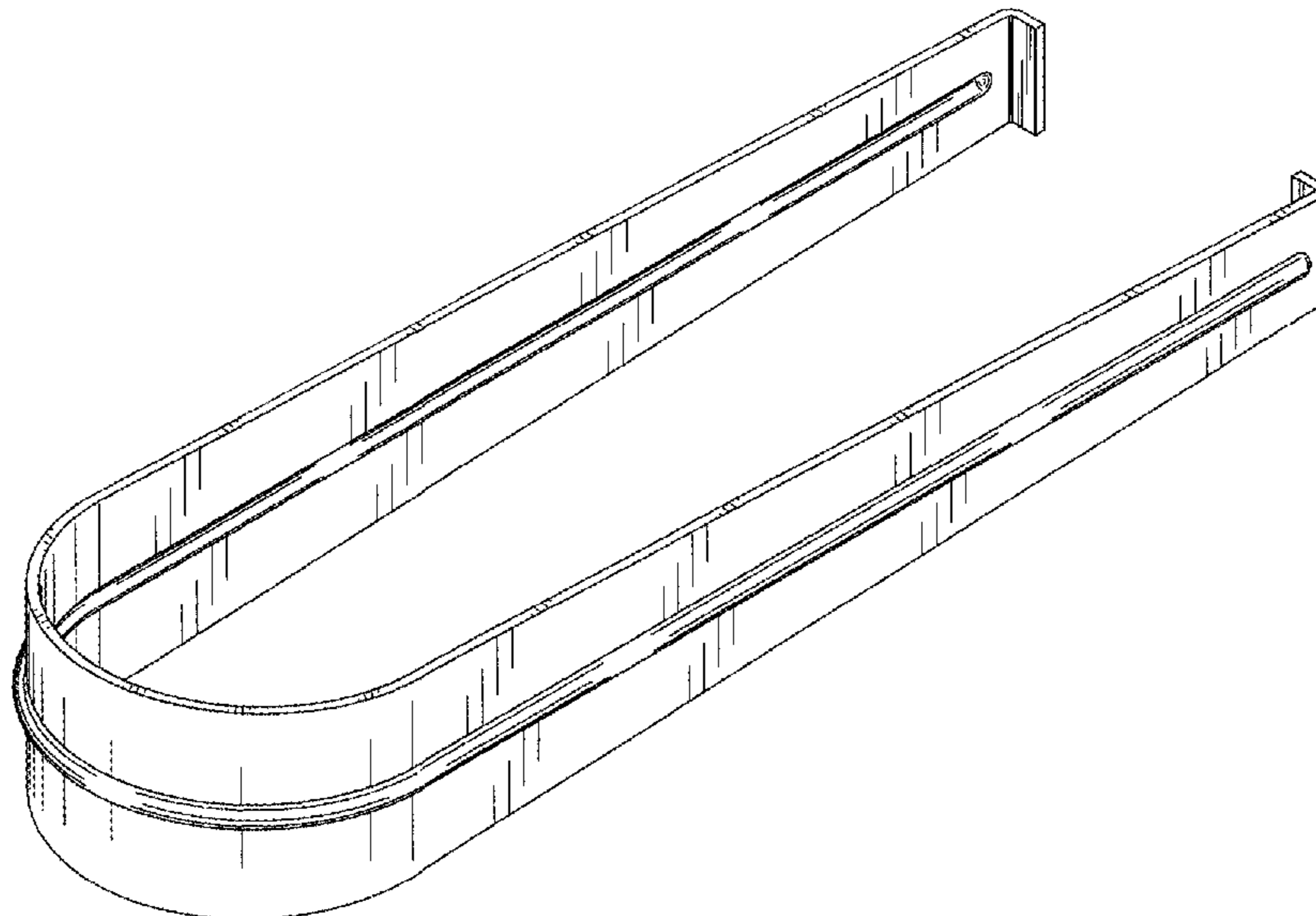
Primary Examiner — Philip S Hyder
(74) *Attorney, Agent, or Firm* — Cramer Patent & Design, PLLC; Aaron R. Cramer

(57) **CLAIM**
The ornamental design for a bulb removal tool, as shown and described.

DESCRIPTION

FIG. 1 is a perspective top front right view of the bulb removal tool, showing our new design; FIG. 2 is a perspective top rear left view thereof; FIG. 3 is a rear elevation view thereof; FIG. 4 is a front elevation view thereof; FIG. 5 is a left elevation view thereof; FIG. 6 is a right elevation view thereof; FIG. 7 is a top plan view thereof; and, FIG. 8 is a bottom plan view thereof.

1 Claim, 5 Drawing Sheets



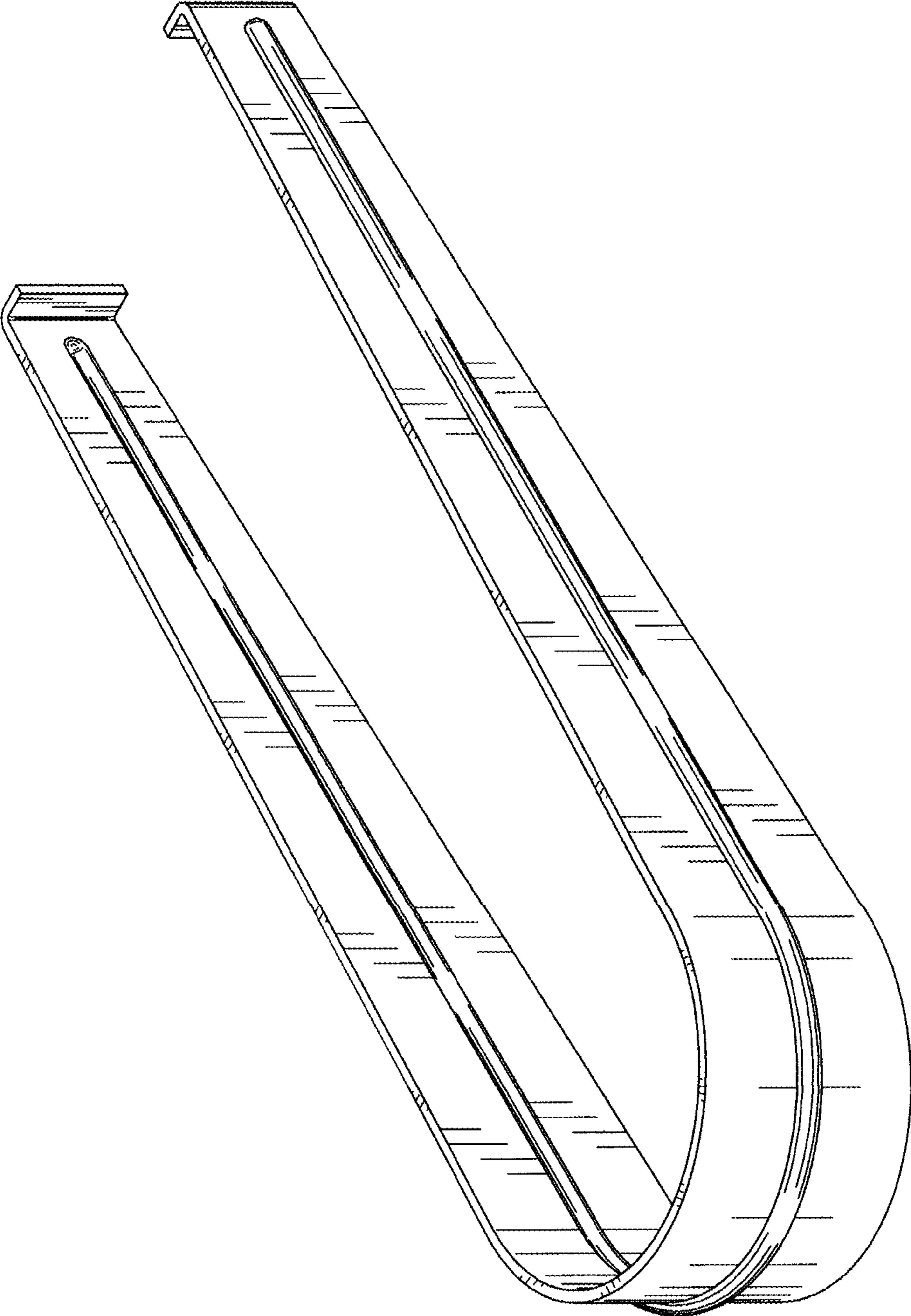


FIG. 1

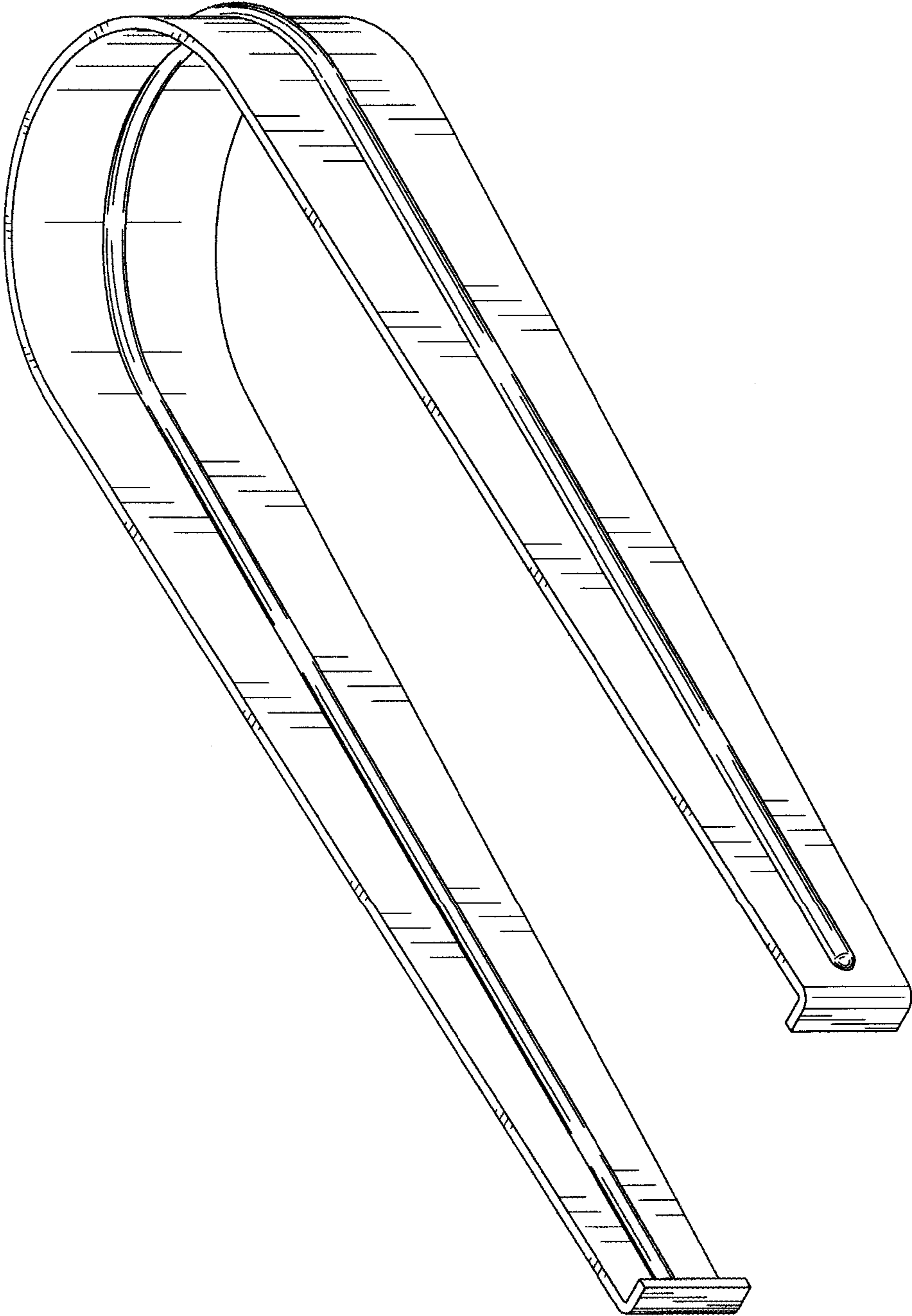


FIG. 2

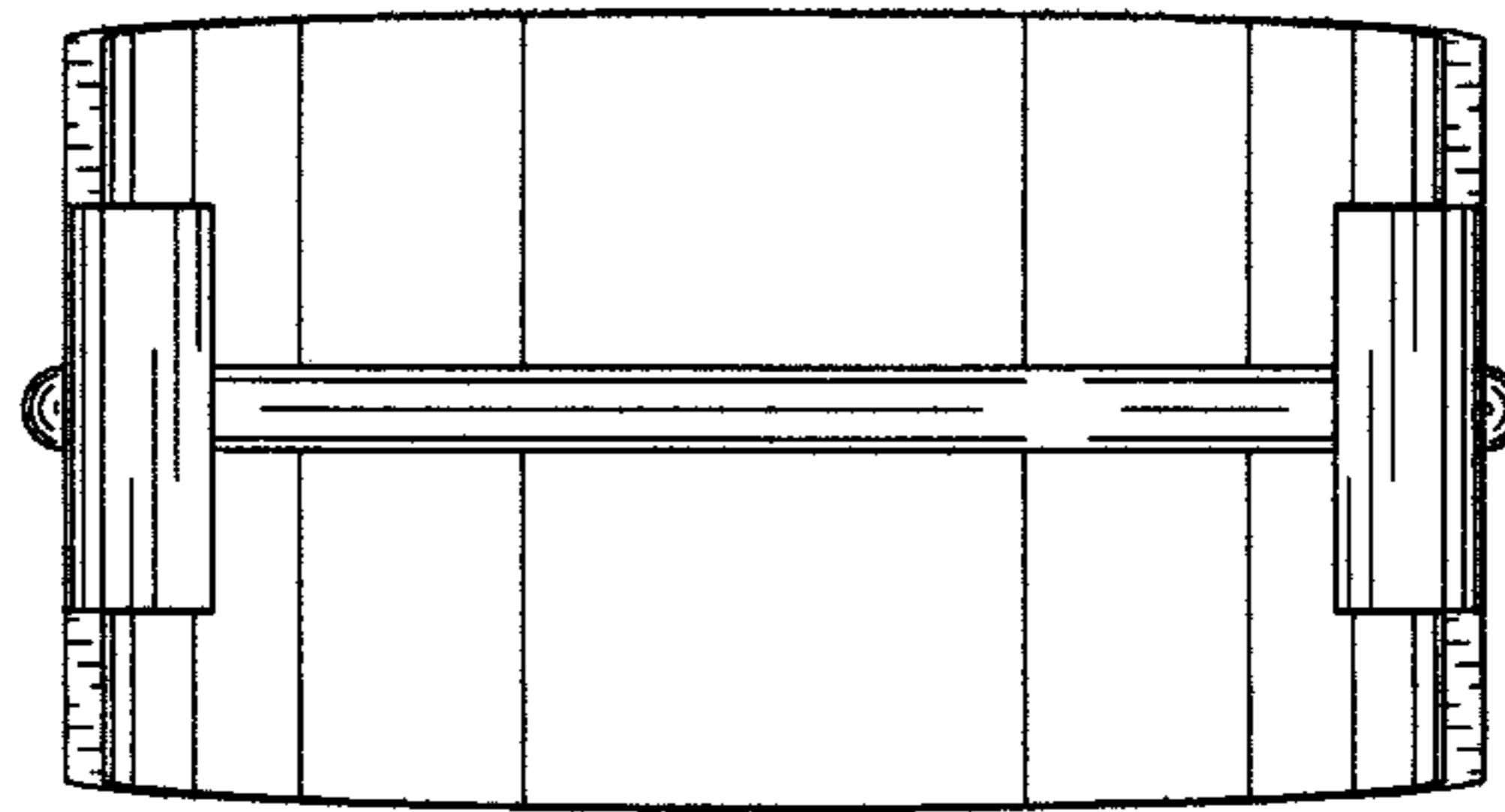


FIG. 3

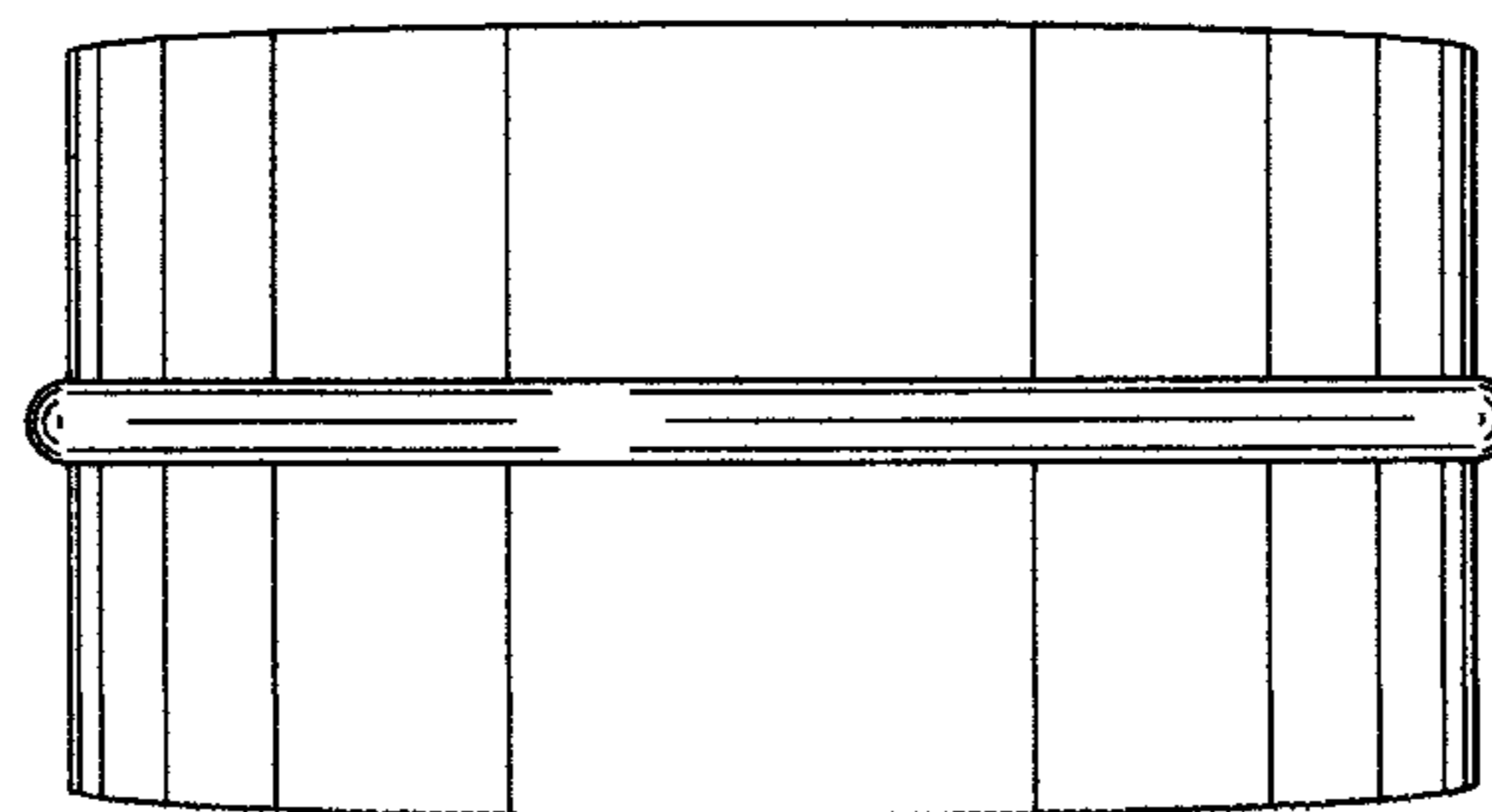


FIG. 4

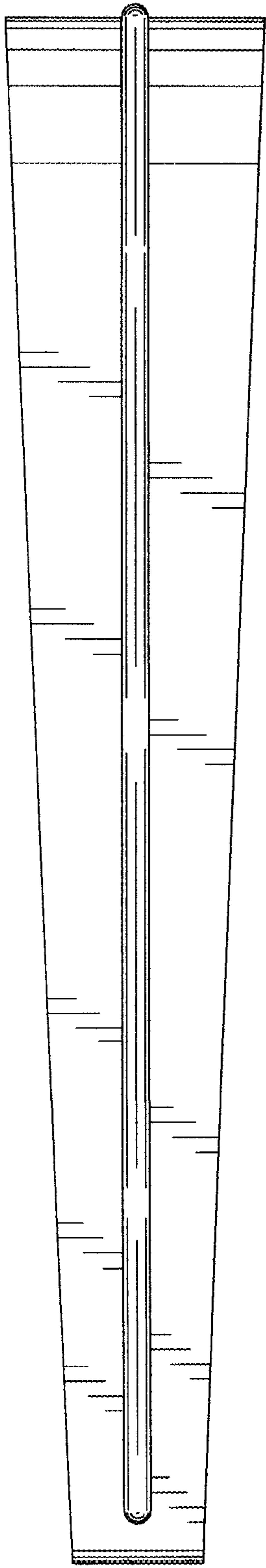


FIG. 5

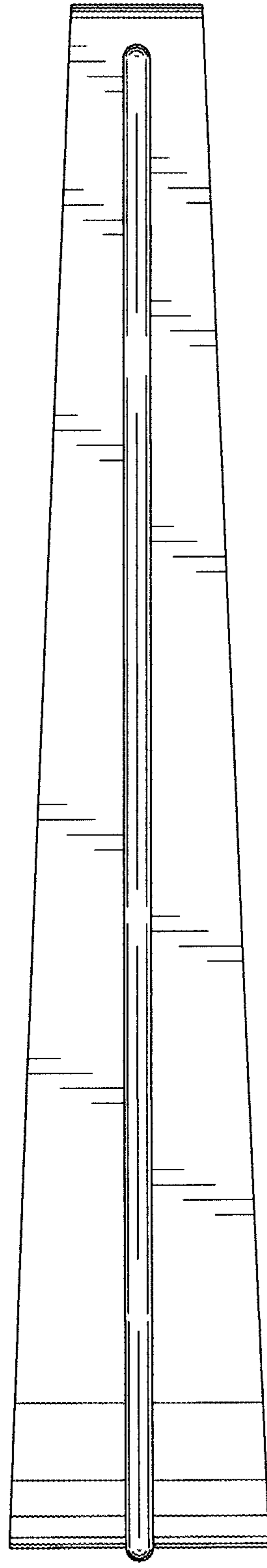


FIG. 6

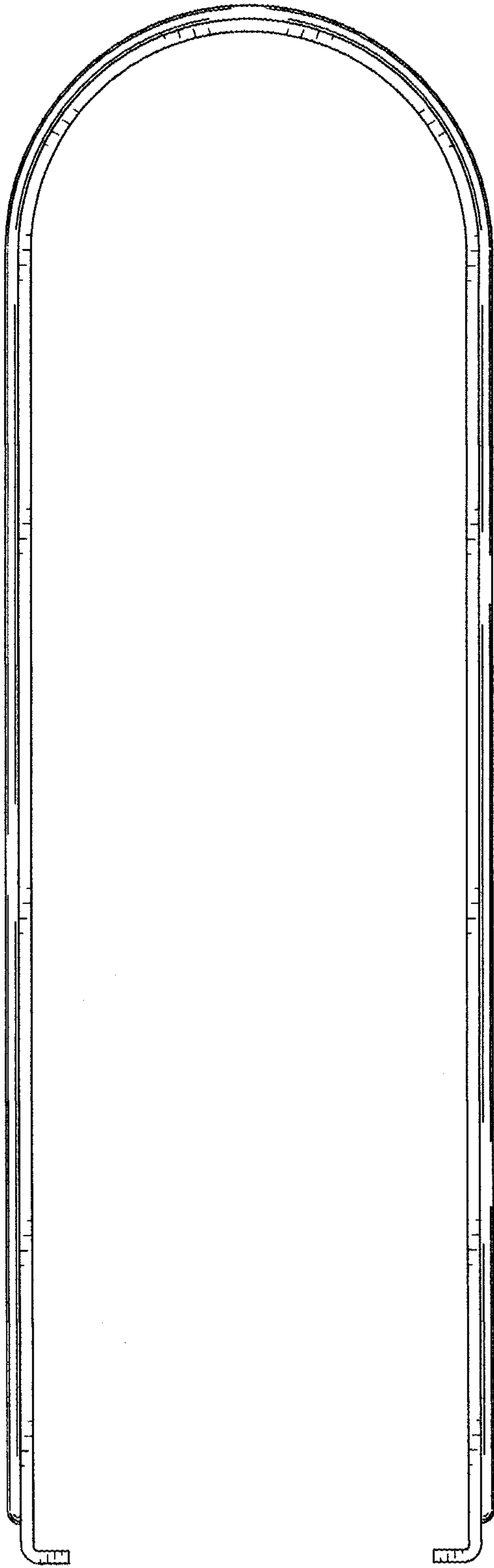


FIG. 7

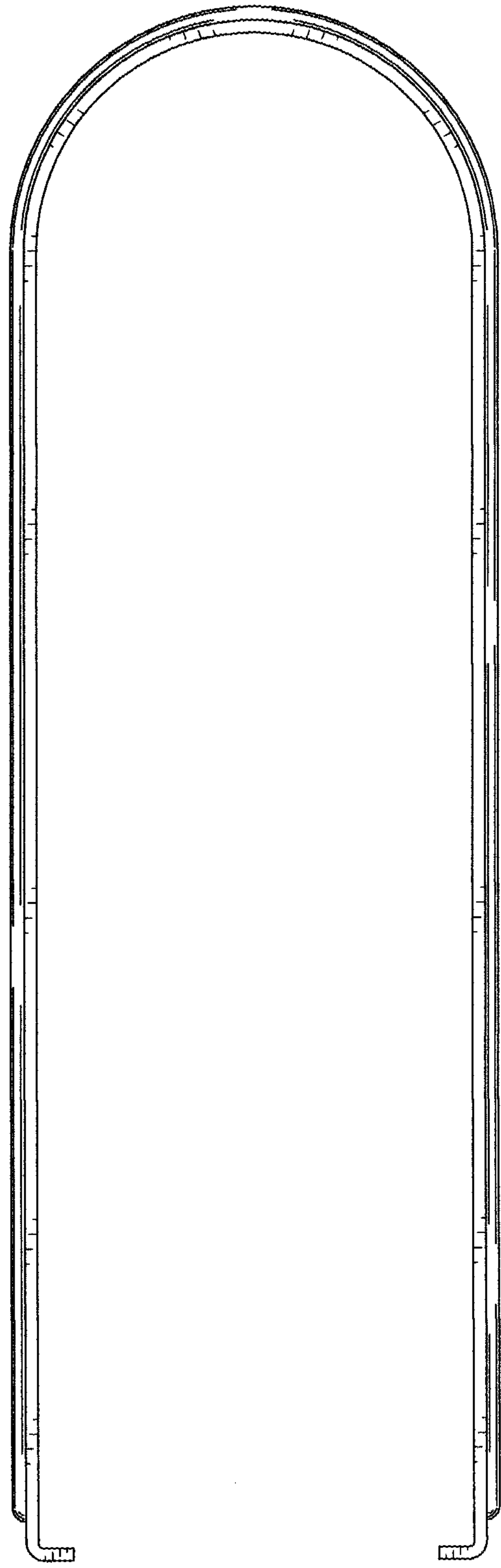


FIG. 8