



US00D924023S

(12) **United States Design Patent**
Le Drappier

(10) **Patent No.:** **US D924,023 S**
(45) **Date of Patent:** **** Jul. 6, 2021**

- (54) **SOLDERING IRON**
- (71) Applicant: **GUILBERT EXPRESS**,
Fontenay-sous-Bois (FR)
- (72) Inventor: **Christophe Le Drappier**, Pantin (FR)
- (73) Assignee: **GUILBERT EXPRESS**,
Fontenay-sous-Bois (FR)
- (**) Term: **15 Years**
- (21) Appl. No.: **29/716,967**
- (22) Filed: **Dec. 13, 2019**

Related U.S. Application Data

- (62) Division of application No. 29/641,617, filed on Mar. 23, 2018, now Pat. No. Des. 876,913.

(30) **Foreign Application Priority Data**

Nov. 3, 2017 (EM) 004493351-0001
 Nov. 3, 2017 (EM) 004493351-0002

- (51) **LOC (13) Cl.** **08-05**
- (52) **U.S. Cl.**
USPC **D8/30**

- (58) **Field of Classification Search**
USPC D15/144, 144.1; D8/29.1, 29.2, 30, 68
CPC E01C 19/44; E01C 19/22; B23K 3/021;
B23K 3/022; B23K 3/00; B23K 3/023
See application file for complete search history.

(56) **References Cited**

U.S. PATENT DOCUMENTS

2,692,641 A * 10/1954 Woods E01C 19/44
126/401
3,171,466 A * 3/1965 Katchur, Jr. E01C 19/44
126/401

4,176,657 A * 12/1979 Eriksson A63C 11/08
126/271.2 R
4,641,632 A * 2/1987 Nakajima F23D 14/18
126/413
4,654,109 A * 3/1987 Goss E04D 15/04
126/229
4,658,802 A * 4/1987 Schultz E01C 23/14
126/271.2 A
4,881,894 A * 11/1989 Chapin F23D 14/28
431/255
5,353,782 A * 10/1994 Morris B29C 65/103
126/271.2 A
D555,446 S * 11/2007 Picaza Ibarro D15/144
2003/0168493 A1 * 9/2003 Hirano B23K 3/022
228/51
2010/0237058 A1 * 9/2010 Evans B29D 30/68
219/229

* cited by examiner

Primary Examiner — Philip S Hyder

(74) *Attorney, Agent, or Firm* — Sughrue Mion, PLLC

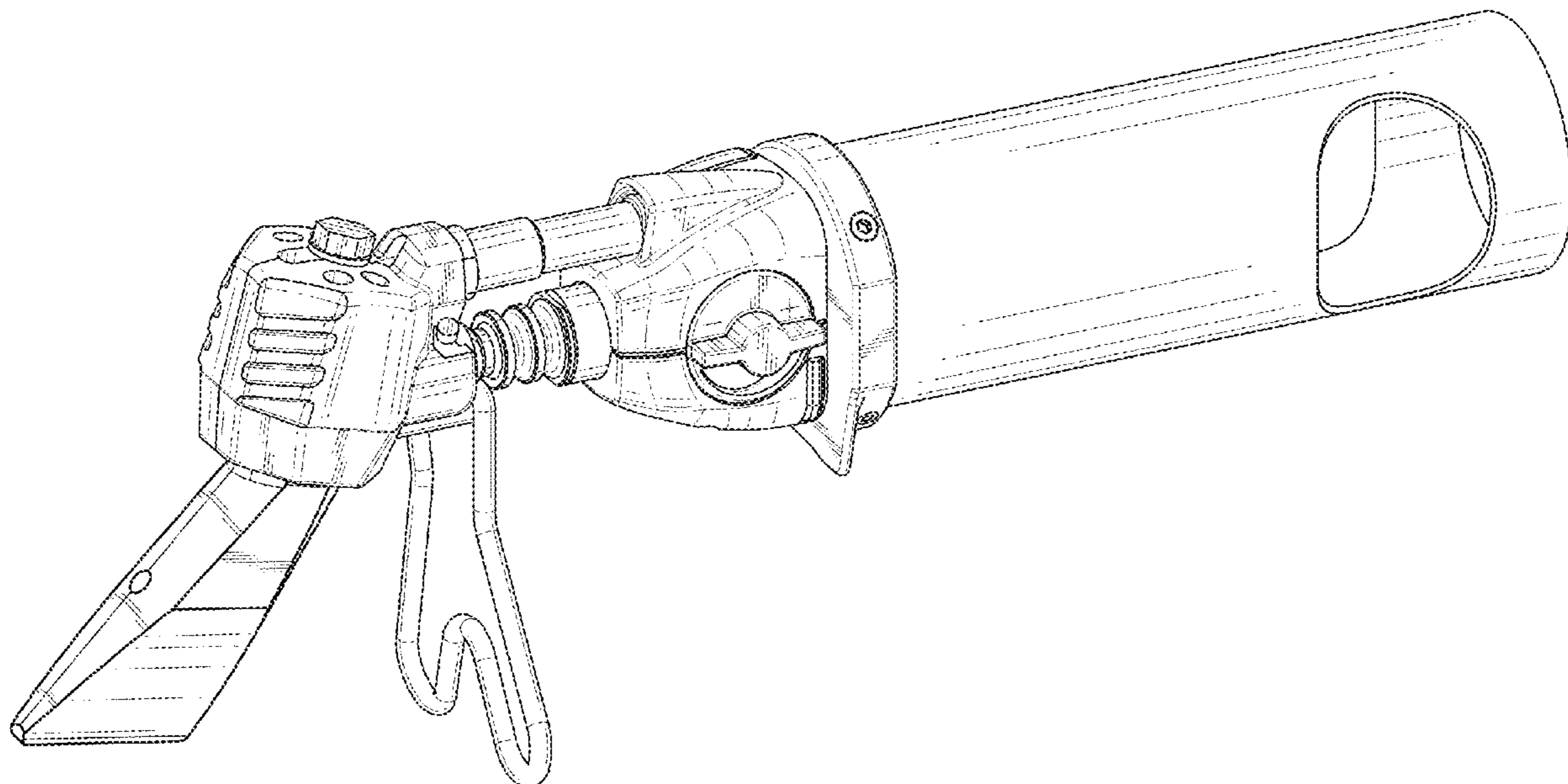
(57) **CLAIM**

The ornamental design for a soldering iron, as shown and described.

DESCRIPTION

FIG. 1 is a perspective view of the soldering iron;
 FIG. 2 is a front view thereof;
 FIG. 3 is a rear view thereof;
 FIG. 4 is a right side view thereof;
 FIG. 5 is a left side view thereof;
 FIG. 6 is a top view thereof; and,
 FIG. 7 is a bottom view thereof.

1 Claim, 7 Drawing Sheets



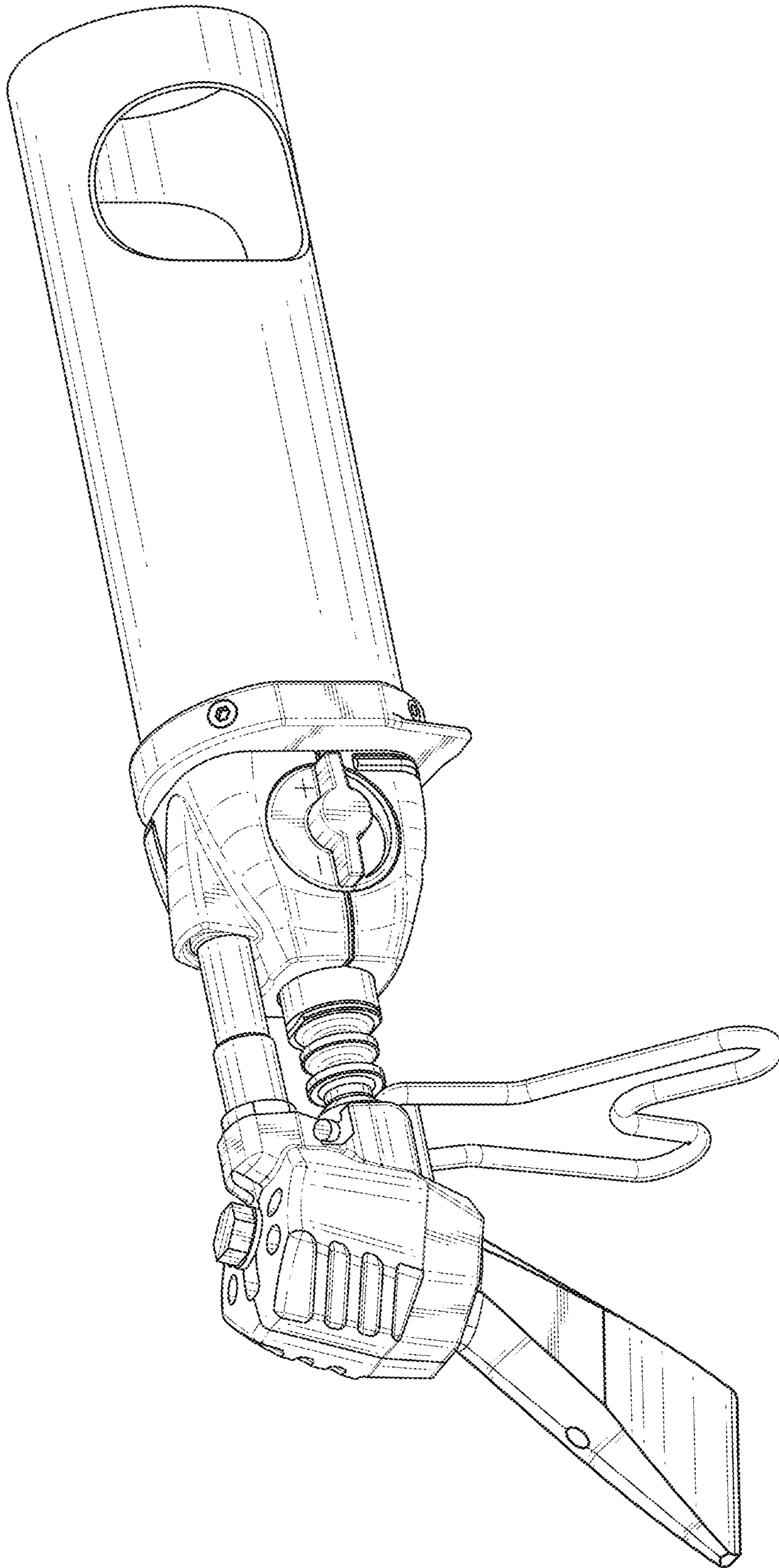


FIG. 1

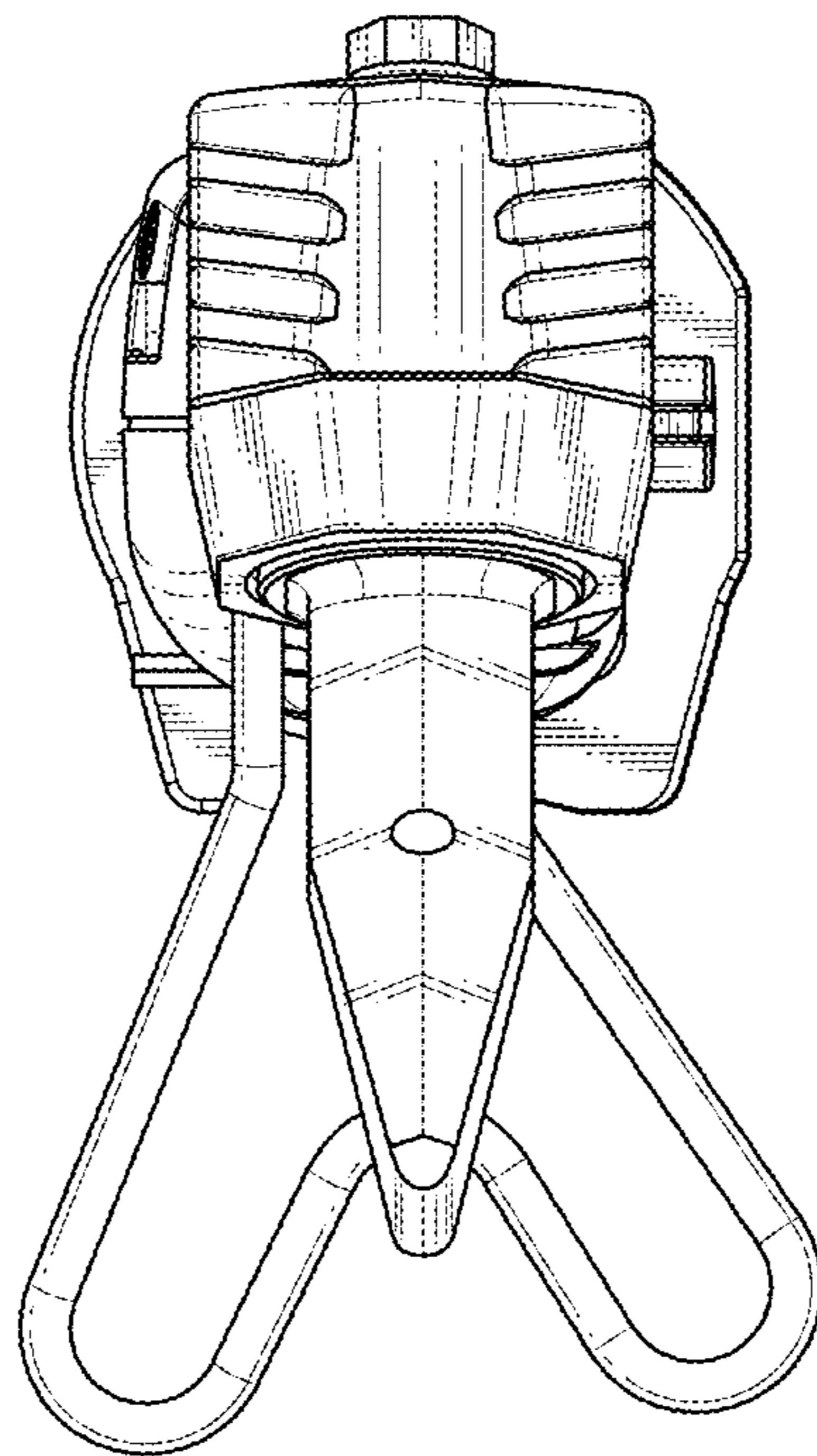


FIG. 2

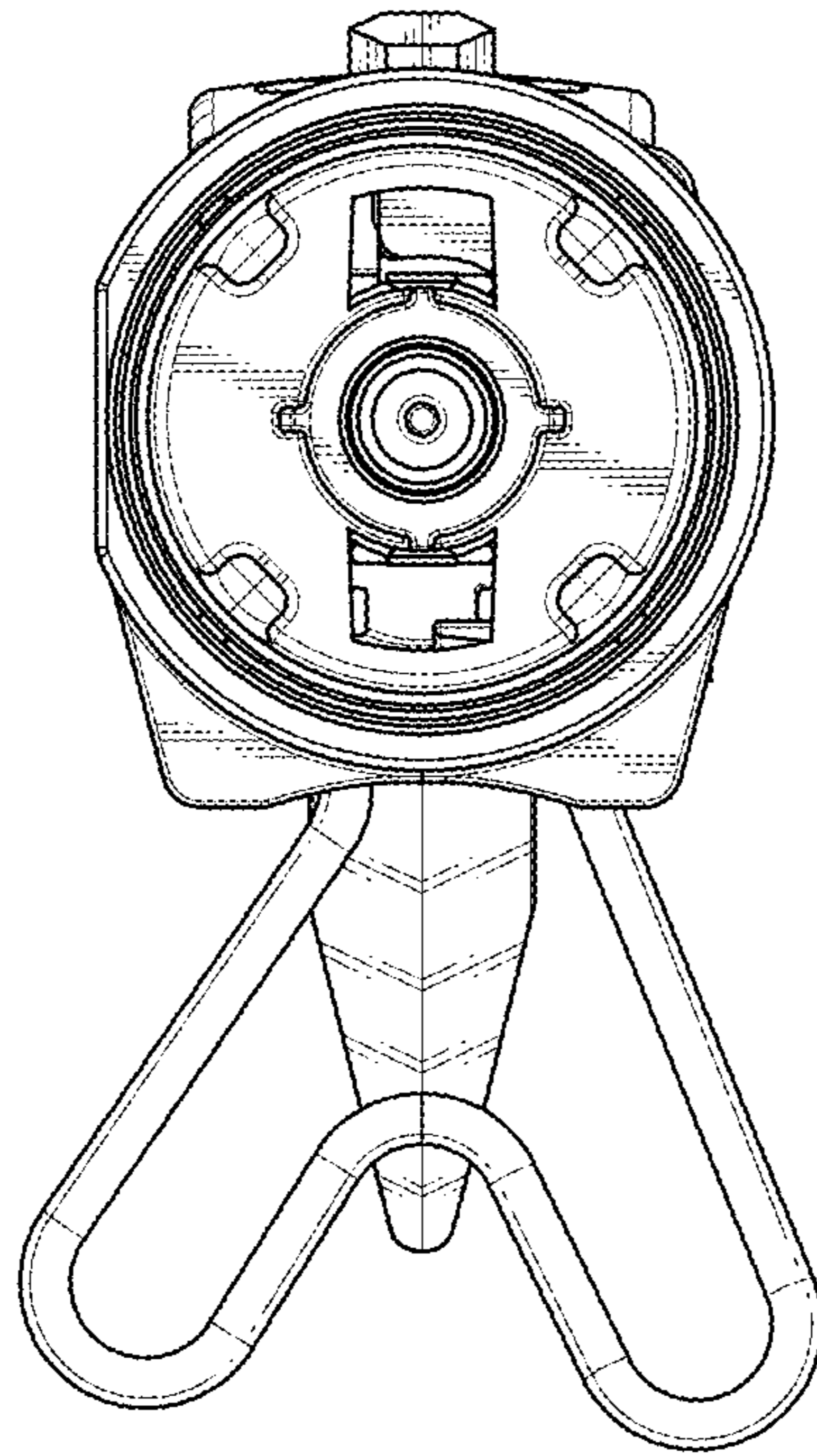


FIG. 3

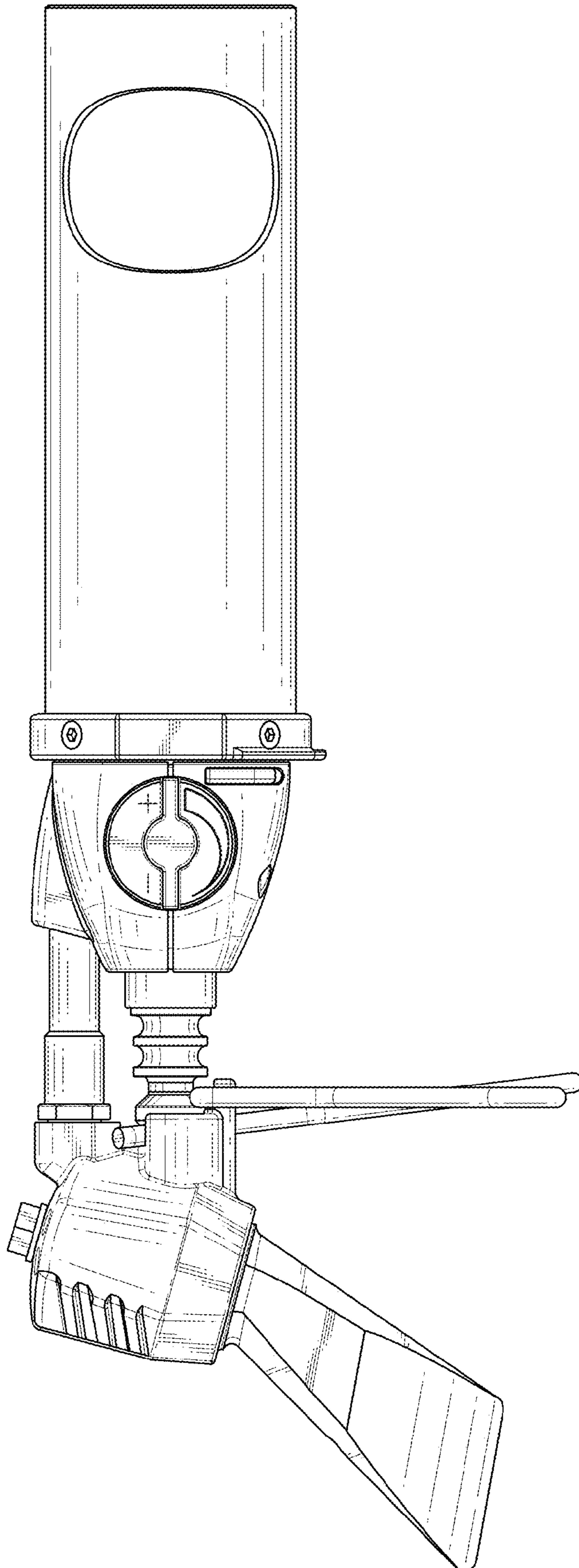


FIG. 4

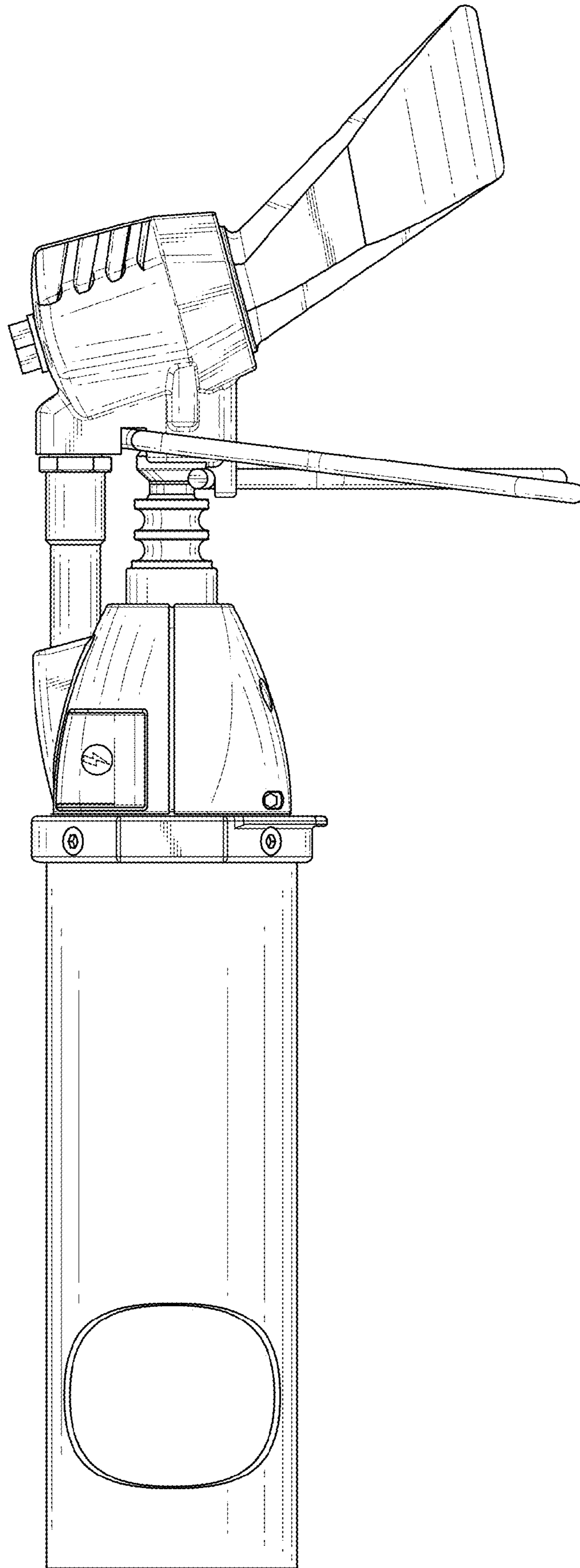


FIG. 5

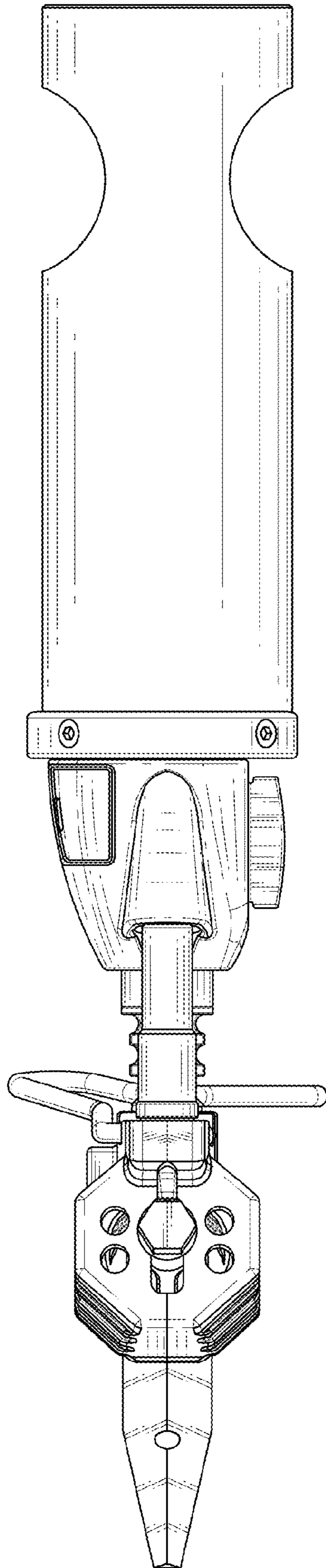


FIG. 6

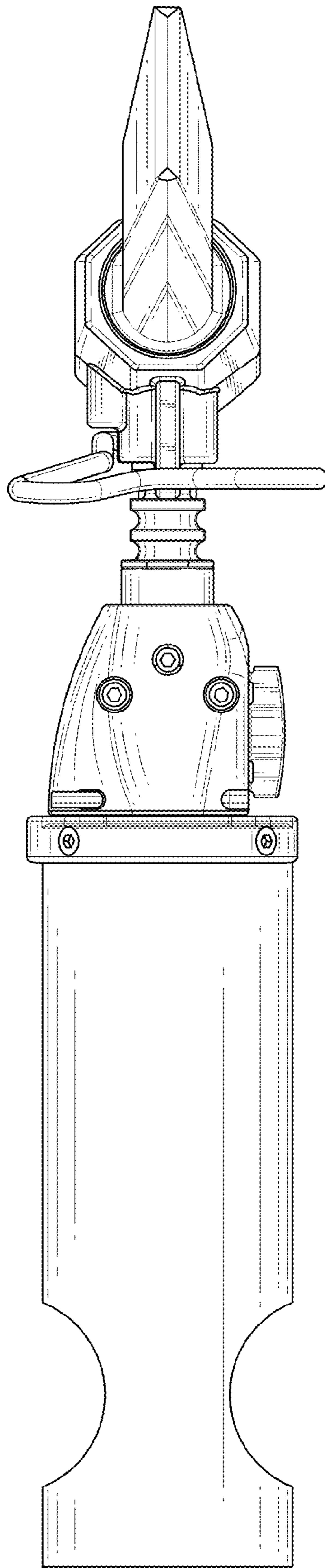


FIG. 7