

US00D924022S

(12) **United States Design Patent**
Glover

(10) **Patent No.:** **US D924,022 S**

(45) **Date of Patent:** **** Jul. 6, 2021**

(54) **HAND OPERATED AGRICULTURAL
ATOMIZER**

(71) Applicant: **EXEL INDUSTRIES**, Epernay (FR)

(72) Inventor: **Rob Glover**, Birmingham (GB)

(**) Term: **15 Years**

(21) Appl. No.: **35/508,101**

(22) Filed: **Sep. 20, 2019**

(80) **Hague Agreement Data**

Int. Filing Date: **Sep. 20, 2019**

Int. Reg. No.: **DM/204649**

Int. Reg. Date: **Sep. 20, 2019**

Int. Reg. Pub. Date: **Dec. 13, 2019**

(51) **LOC (13) Cl.** **08-01**

(52) **U.S. Cl.**
USPC **D8/2**

(58) **Field of Classification Search**
USPC D8/2; D7/318; D23/213, 225, 226, 223,
D23/229, 227
CPC B05B 7/24; B05B 15/68; B05B 7/0408;
B05B 7/1209; B05B 7/1236; B05B
7/2497; B29B 7/7438
See application file for complete search history.

(56) **References Cited**

U.S. PATENT DOCUMENTS

D330,407 S	*	10/1992	Raffo	D23/213
D354,333 S	*	1/1995	Clivio	D23/223
D447,539 S	*	9/2001	Tse	D23/226
D454,618 S	*	3/2002	Clivio	D23/213
D523,924 S	*	6/2006	Byron	D23/213
D524,404 S	*	7/2006	Mineau	D23/213
D532,077 S	*	11/2006	Chen	D23/213
D548,392 S	*	8/2007	Lo	D23/226
D559,353 S	*	1/2008	Chih	D23/226
D559,354 S	*	1/2008	Chih	D23/226
D604,389 S	*	11/2009	Cheng	D23/223

D604,390 S	*	11/2009	Cheng	D23/223
D736,349 S	*	8/2015	Wojan	D23/223
D767,093 S	*	9/2016	Chen	D23/223
D774,165 S	*	12/2016	Chen	D23/226
D779,041 S	*	2/2017	Chen	D23/226
D838,340 S	*	1/2019	Svendsen	D23/223
D838,341 S	*	1/2019	Svendsen	D23/226
D846,072 S	*	4/2019	Pease	D23/223
D846,074 S	*	4/2019	Pease	D23/226
D863,502 S	*	10/2019	Hsieh	D23/213
D870,846 S	*	12/2019	Mezzalira	D23/213
D874,612 S	*	2/2020	Svendsen	D23/226
D875,211 S	*	2/2020	Svendsen	D23/226
D875,213 S	*	2/2020	Svendsen	D23/226

(Continued)

Primary Examiner — Eliza Z Bennett-Hattan

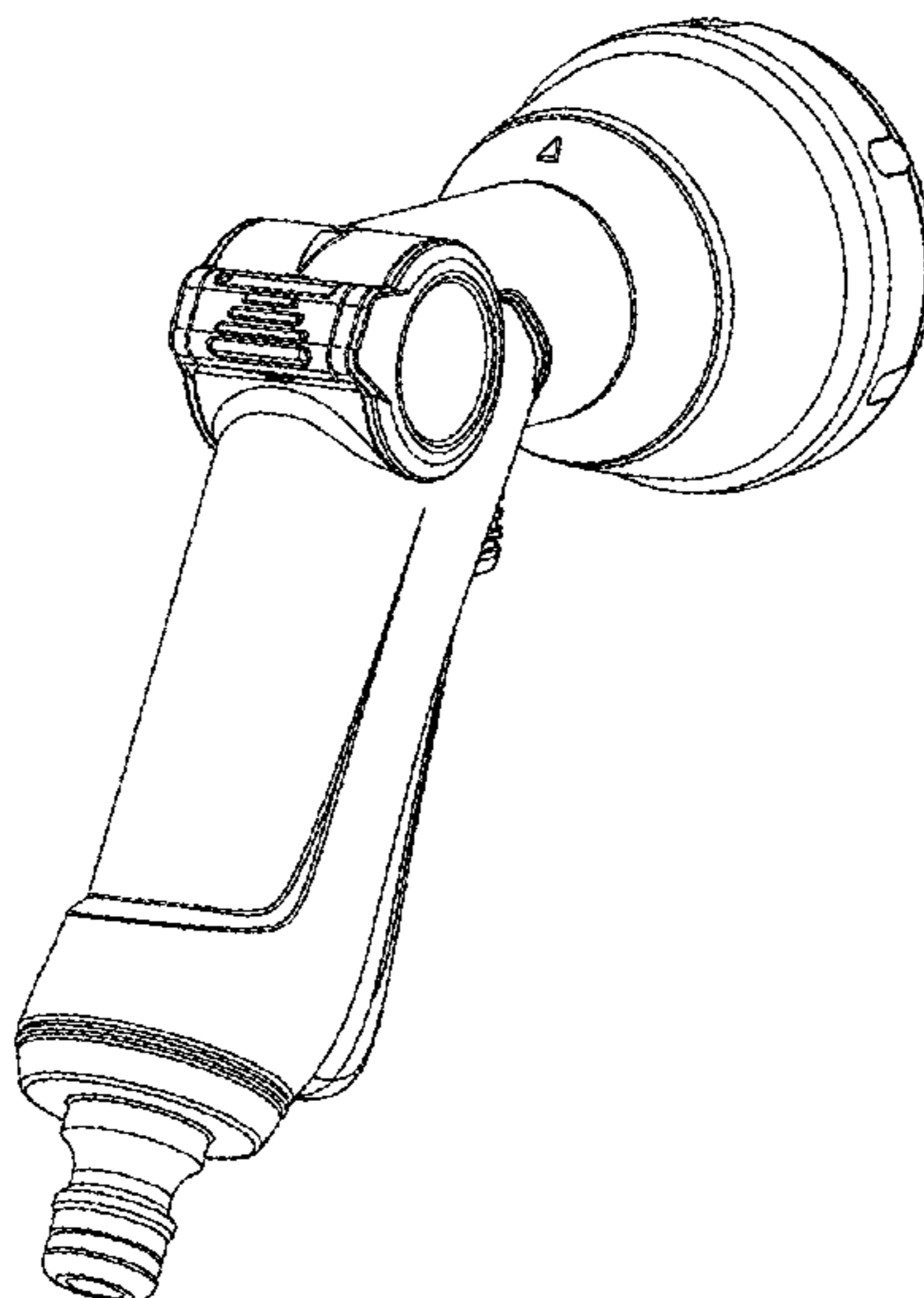
(57) **CLAIM**

The ornamental design for hand operated agricultural atomizer, as shown and described.

DESCRIPTION

- 2.-3. Hand operated agricultural atomizer
- 2.1** is a top view of an hand operated agricultural atomizer, showing our new design;
- 2.2** is a front view thereof;
- 2.3** is a right side view thereof;
- 2.4** is a bottom view thereof;
- 2.5** is a rear right perspective thereof;
- 2.6** is a rear view thereof;
- 2.7** is a rear left perspective thereof;
- 2.8** is a bottom left perspective view thereof;
- 3.1** is a top view of an hand operated agricultural atomizer, showing our new design;
- 3.2** is rear left perspective view thereof;
- 3.3** is a right side view thereof;
- 3.4** is a bottom view thereof;
- 3.5** is a front view thereof;
- 3.6** is a rear right perspective view thereof;
- 3.7** is a bottom left perspective thereof;
- 3.8** is a rear view.

1 Claim, 16 Drawing Sheets



(56)

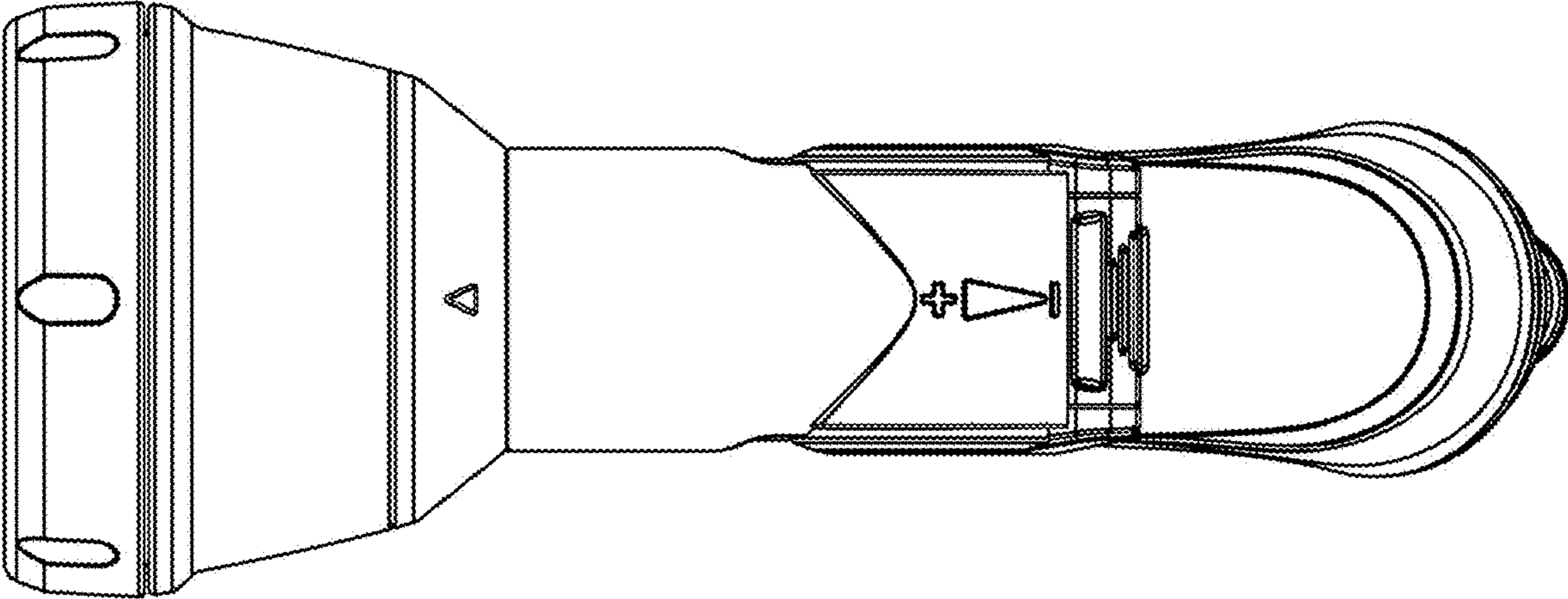
References Cited

U.S. PATENT DOCUMENTS

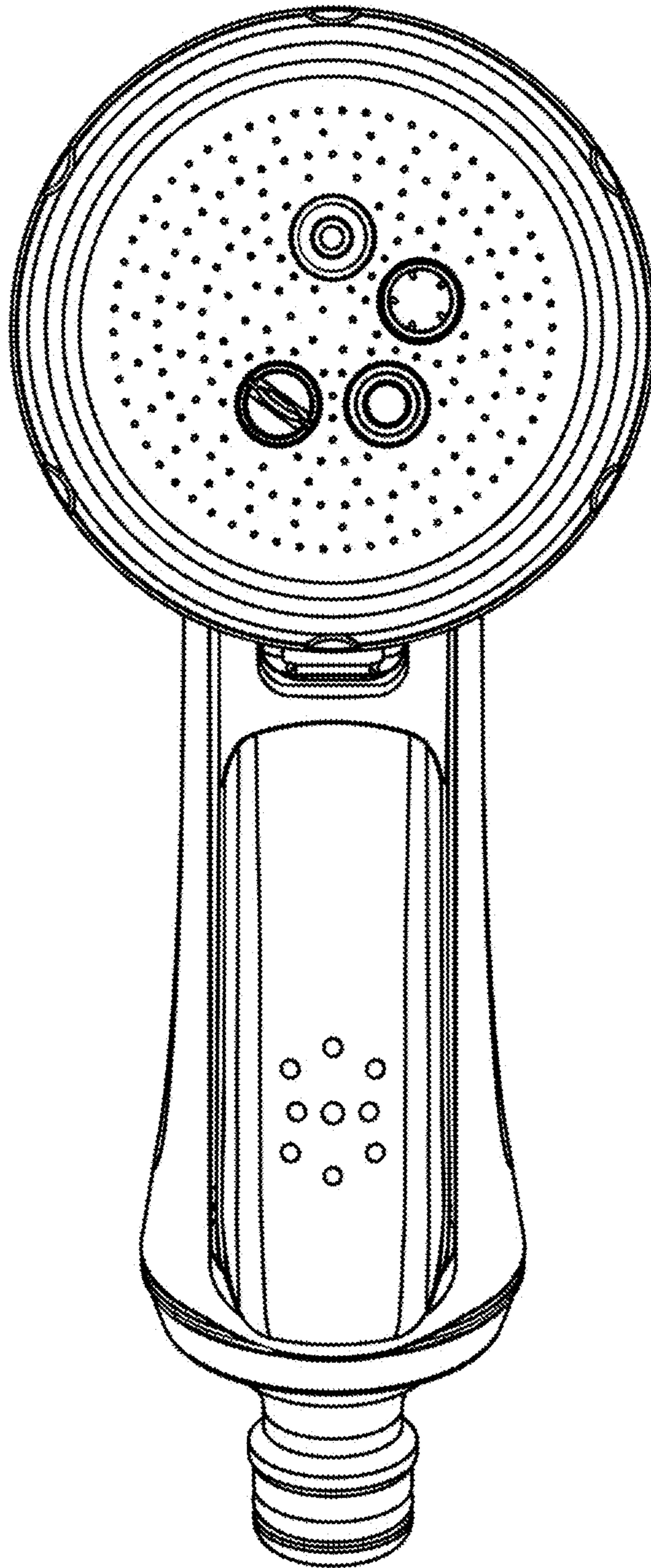
D876,581 S	*	2/2020	Hsieh	D23/213
D891,581 S	*	7/2020	Cheng	D23/223
D892,271 S	*	8/2020	Urry	D23/223
D900,279 S	*	10/2020	Cheng	D23/213

* cited by examiner

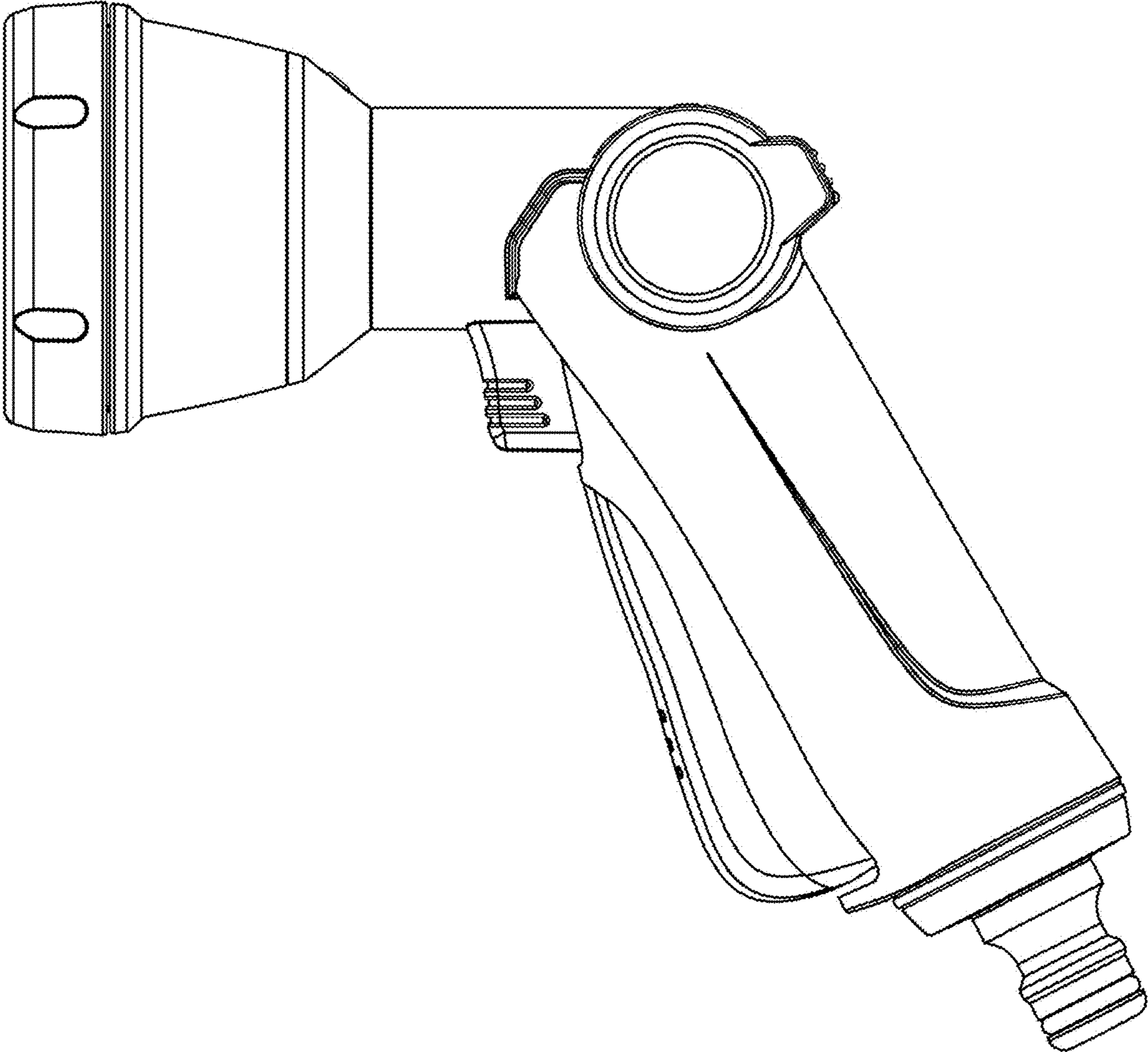
2.1



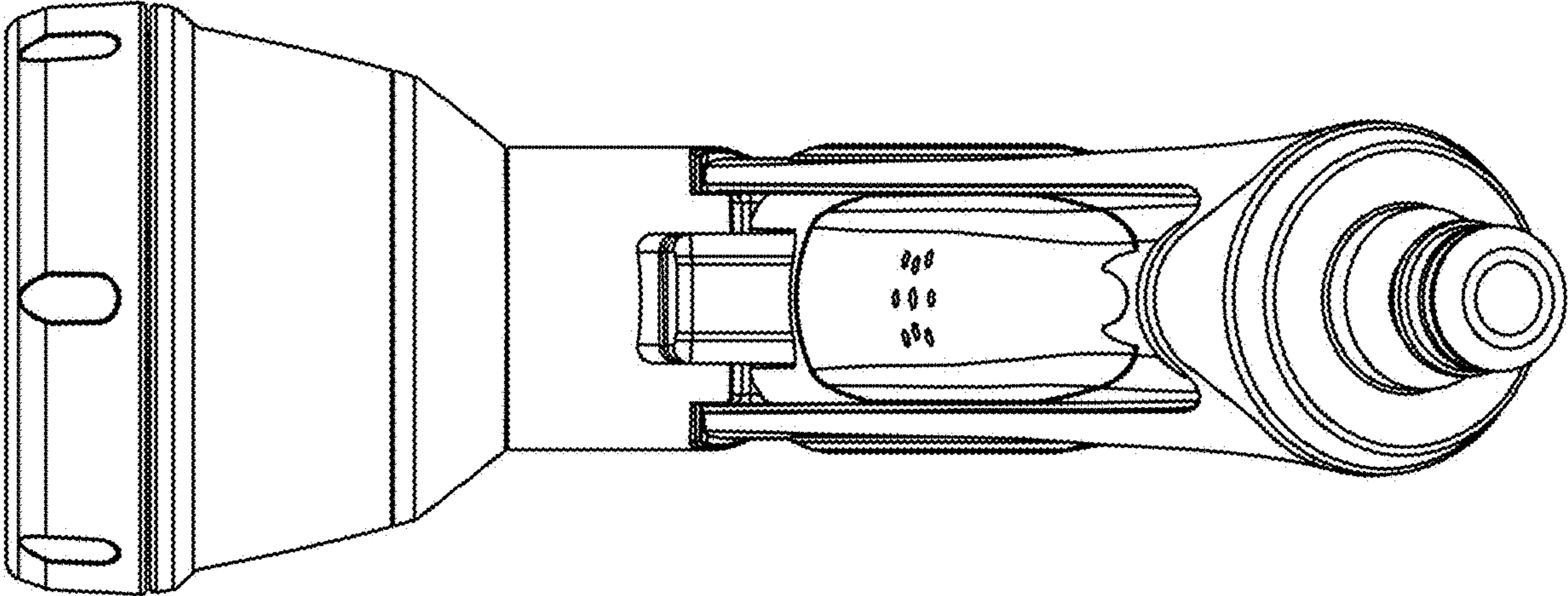
2.2



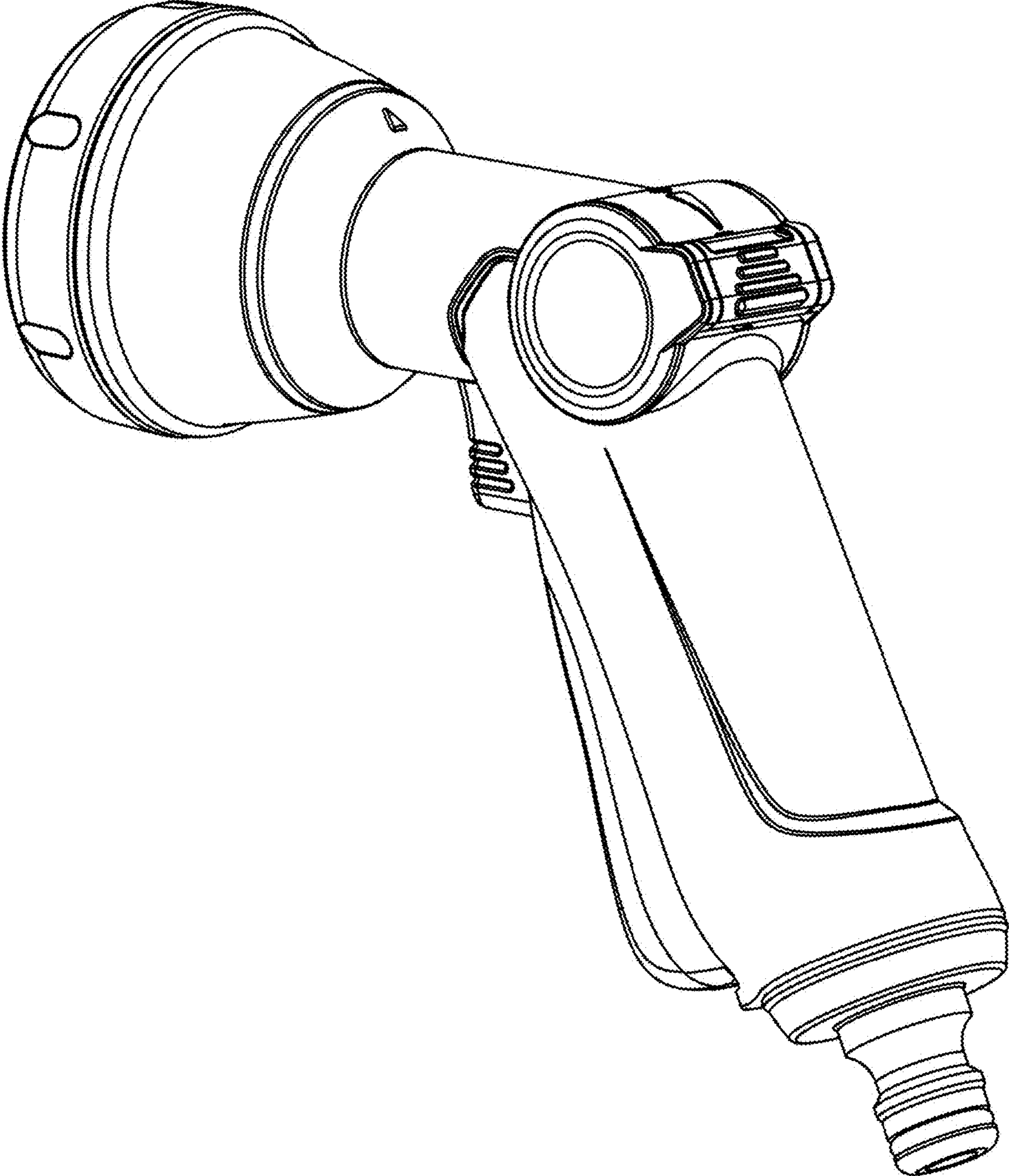
2.3



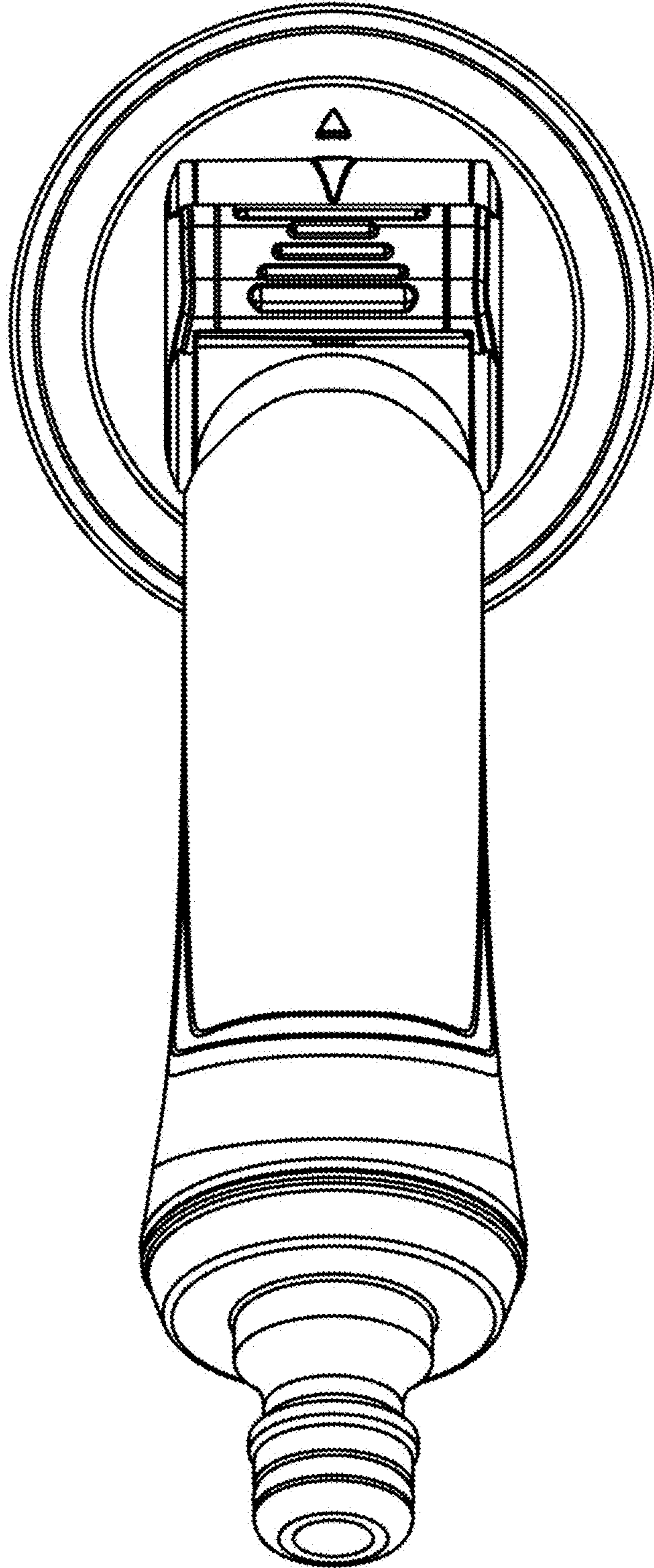
2.4



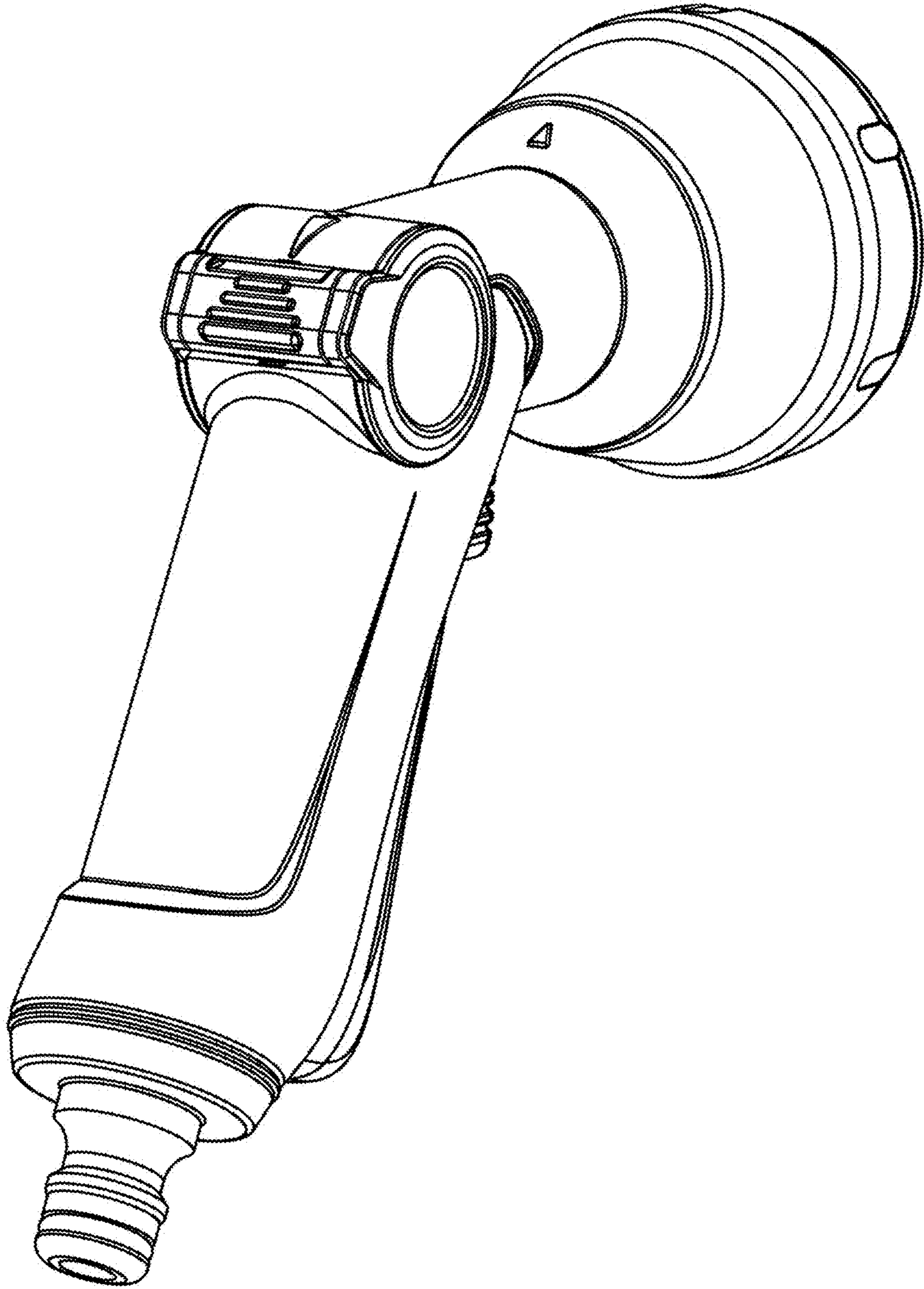
2.5



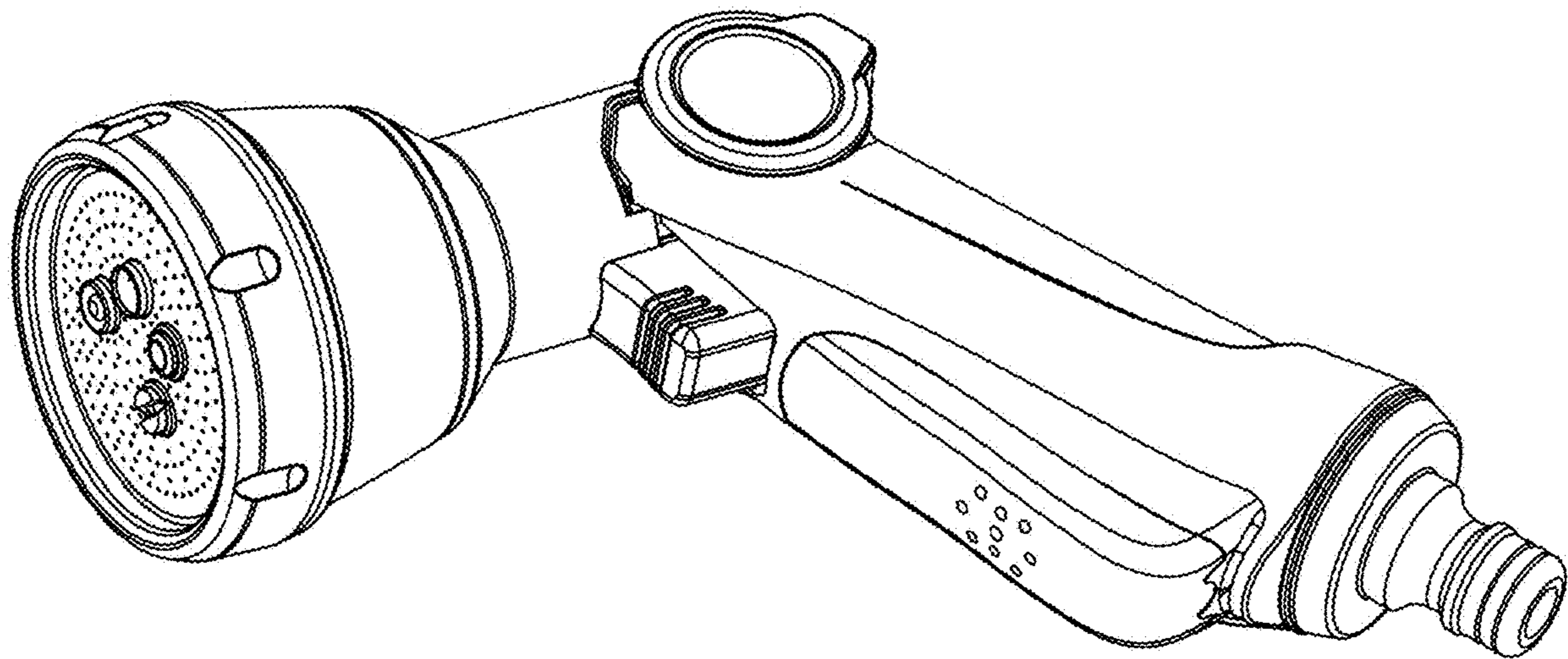
2.6



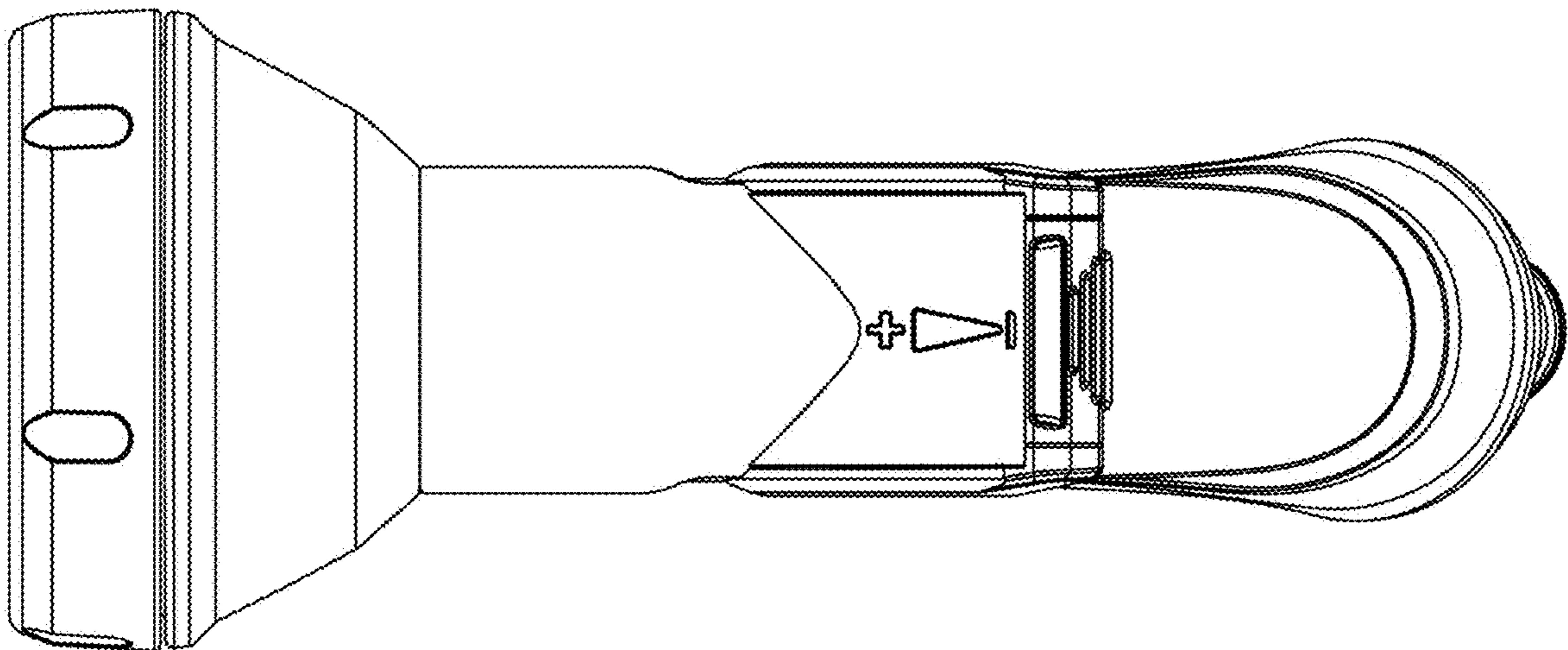
2.7



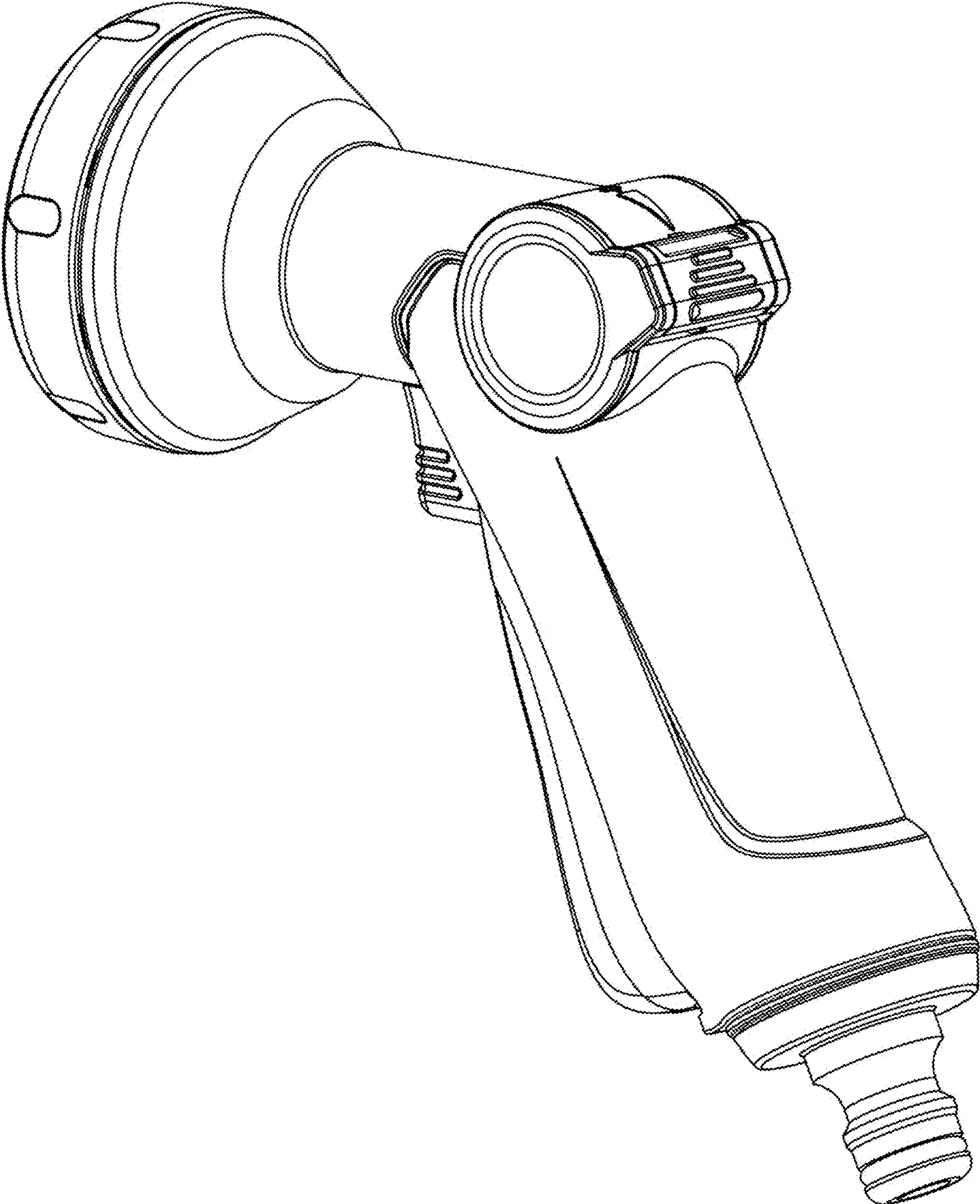
2.8



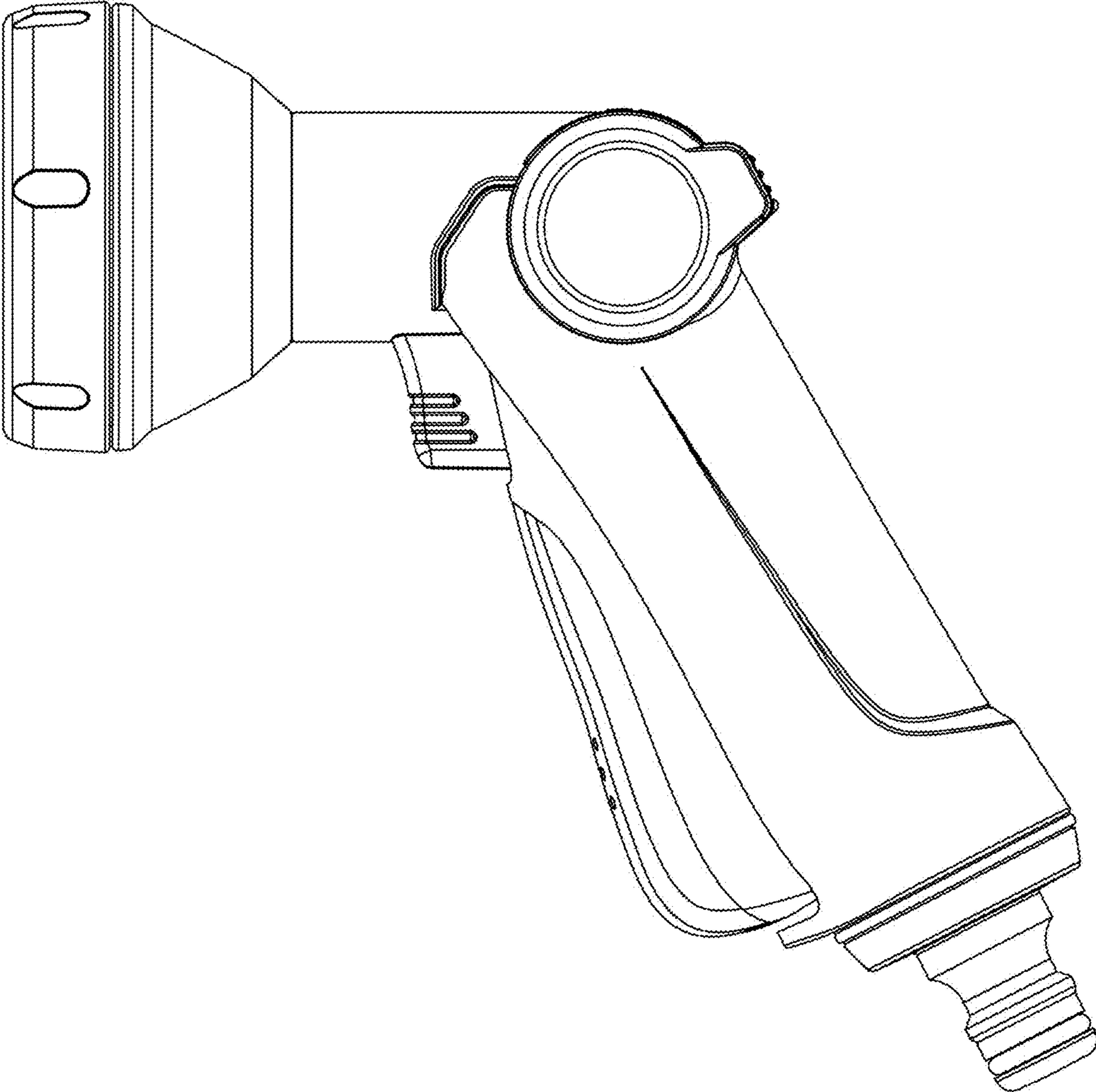
3.1



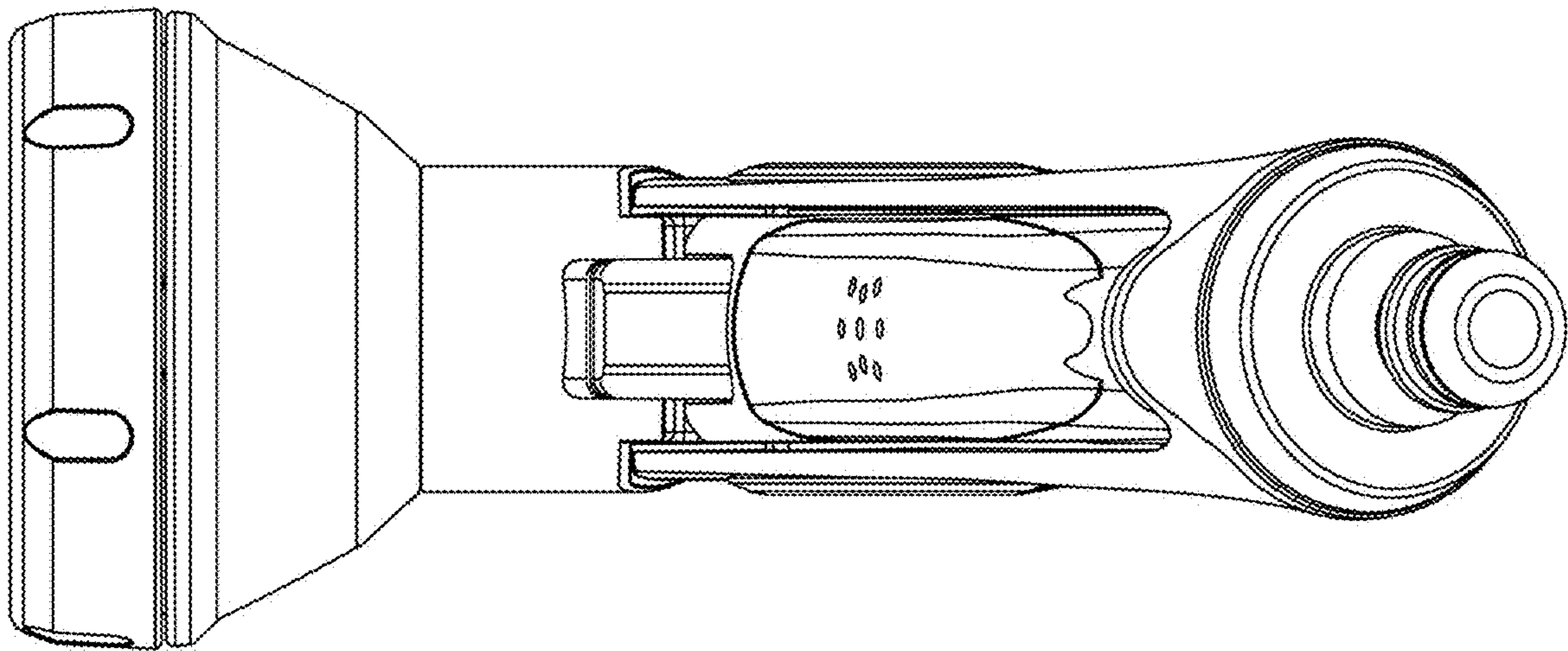
3.2



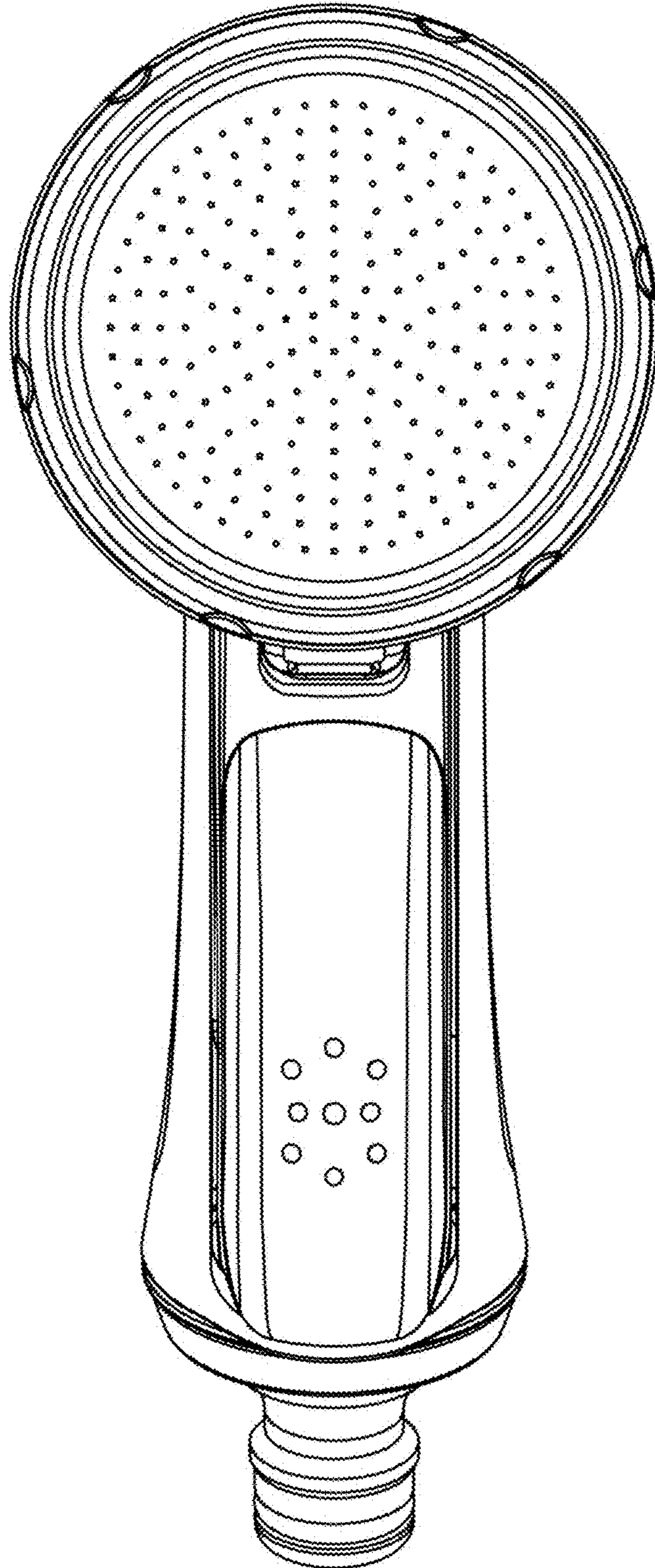
3.3



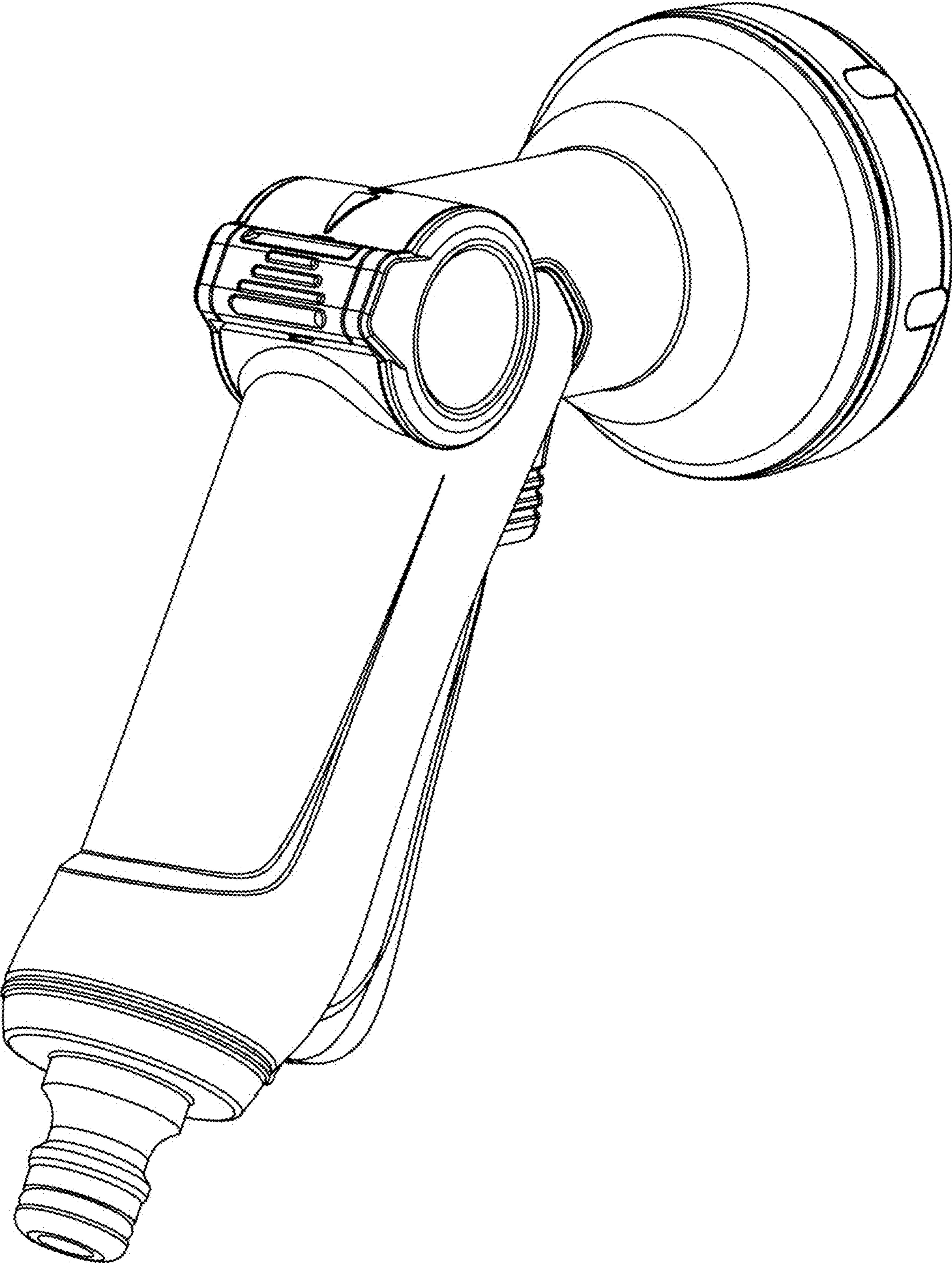
3.4



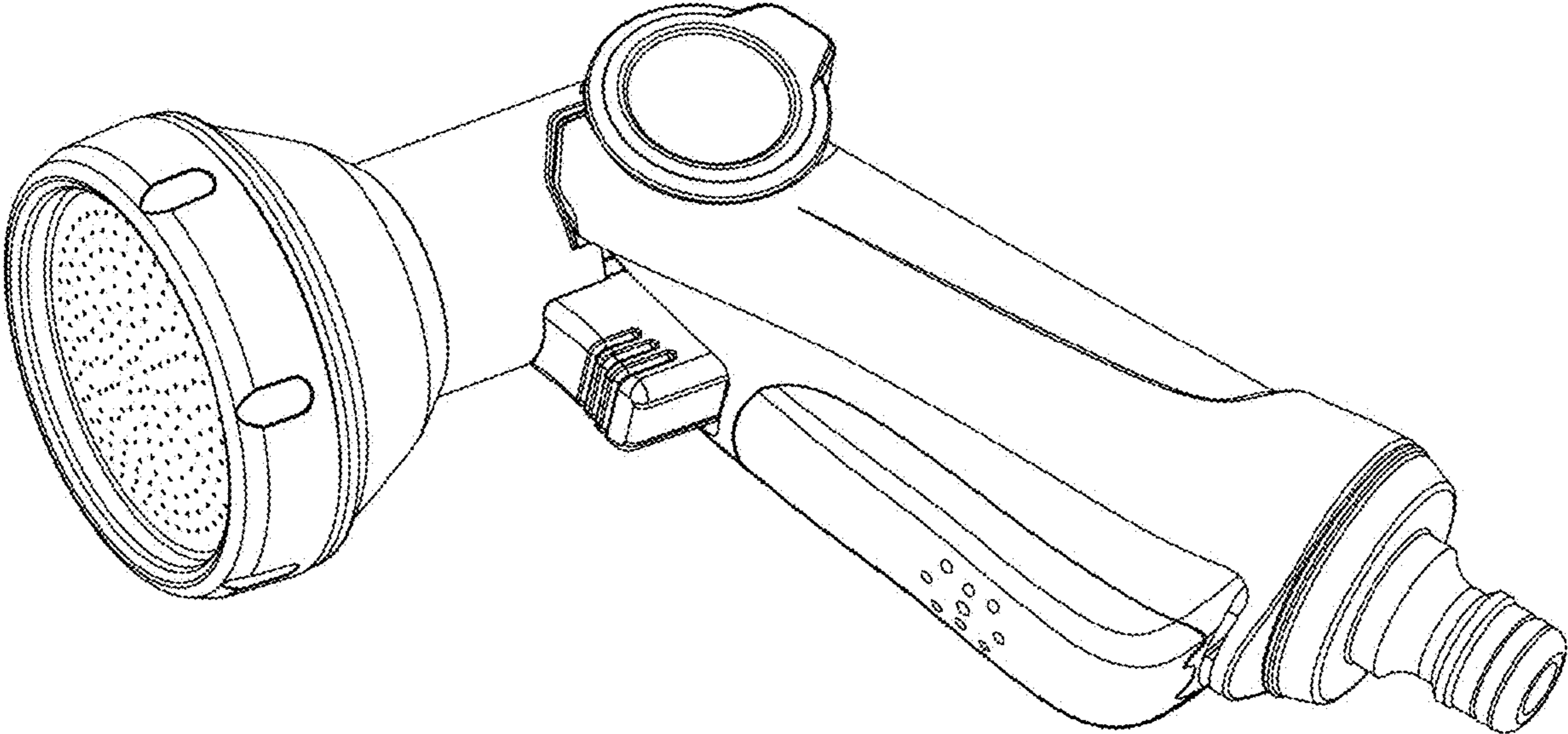
3.5



3.6



3.7



3.8

