



US00D924020S

(12) **United States Design Patent** (10) **Patent No.:** **US D924,020 S**
Deckebach et al. (45) **Date of Patent:** **** Jul. 6, 2021**

(54) **WINE RACK**

(71) Applicant: **Wine Cellar Innovations, LLC**,
Cincinnati, OH (US)

(72) Inventors: **James L. Deckebach**, Cincinnati, OH
(US); **Anthony J. Wilke**, Cincinnati,
OH (US)

(73) Assignee: **Wine Cellar Innovations, LLC**,
Cincinnati, OH (US)

(**) Term: **15 Years**

(21) Appl. No.: **29/707,010**

(22) Filed: **Sep. 25, 2019**

(51) **LOC (13) Cl.** **06-04**

(52) **U.S. Cl.**
USPC **D7/701**

(58) **Field of Classification Search**
USPC D7/601, 701-707; D6/552, 675;
D8/354, 380, 381

(Continued)

(56) **References Cited**

U.S. PATENT DOCUMENTS

887,272 A 5/1908 Robinson

1,129,553 A 2/1915 Cope

(Continued)

FOREIGN PATENT DOCUMENTS

FR 2474449 A1 7/1981

Primary Examiner — Terry A Wallace

(74) *Attorney, Agent, or Firm* — Wood Herron & Evans
LLP

(57) **CLAIM**

The ornamental design for a wine rack, as shown and
described.

DESCRIPTION

FIG. 1 is a front, left isometric view of the wine rack
according to a first embodiment of the present invention.

FIG. 2 is another front, left isometric view of the wine rack
according to the first embodiment of the present invention.

FIG. 3 is a front view of the wine rack according to the first
embodiment of the present invention.

FIG. 4 is a left view of the wine rack according to the first
embodiment of the present invention.

FIG. 5 is a right view of the wine rack according to the first
embodiment of the present invention.

FIG. 6 is a top view of the wine rack according to the first
embodiment of the present invention.

FIG. 7 is a bottom view of the wine rack according to the
first embodiment of the present invention.

FIG. 8 is a front, left isometric view of the wine rack
according to a first alternative embodiment of the present
invention.

FIG. 9 is another front, left isometric view of the wine rack
according to the first alternative embodiment of the present
invention.

FIG. 10 is a front view of the wine rack according to the first
alternative embodiment of the present invention.

FIG. 11 is a left side view of the wine rack according to the
first alternative embodiment of the present invention.

FIG. 12 is a right side view of the wine rack according to the
first alternative embodiment of the present invention.

FIG. 13 is a top view of the wine rack according to the first
alternative embodiment of the present invention.

FIG. 14 is a bottom view of the wine rack according to the
first alternative embodiment of the present invention.

FIG. 15 is a front, left isometric view of the wine rack
according to a second alternative embodiment of the present
invention.

FIG. 16 is another front, left isometric view of the wine rack
according to the second alternative embodiment of the
present invention.

FIG. 17 is a front view of the wine rack according to the
second alternative embodiment of the present invention.

FIG. 18 is a left side view of the wine rack according to the
second alternative embodiment of the present invention.

FIG. 19 is a right, side view of the wine rack according to
the second alternative embodiment of the present invention.

FIG. 20 is a top view of the wine rack according to the
second alternative embodiment of the present invention.

(Continued)

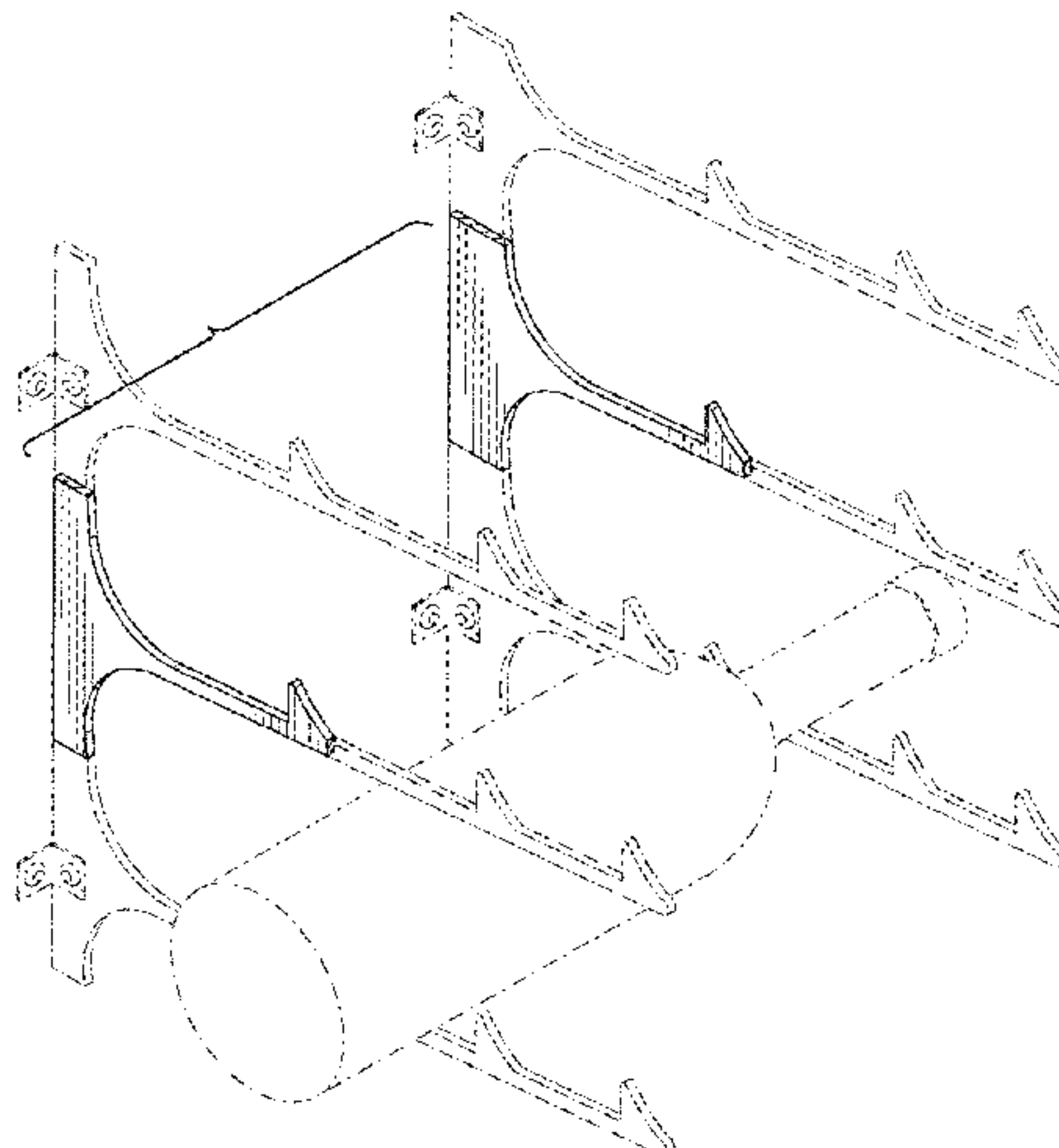


FIG. 21 is a bottom view of the wine rack according to the second alternative embodiment of the present invention.
 FIG. 22 is a front, left isometric view of the wine rack according to a third alternative embodiment of the present invention.
 FIG. 23 is another front, left isometric view of the wine rack according to the third alternative embodiment of the present invention.
 FIG. 24 is a front view of the wine rack according to the third alternative embodiment of the present invention.
 FIG. 25 is a left side view of the wine rack according to the third alternative embodiment of the present invention.
 FIG. 26 is a right, side view of the wine rack according to the third alternative embodiment of the present invention.
 FIG. 27 is a top view of the wine rack according to the third alternative embodiment of the present invention; and,
 FIG. 28 is a bottom view of the wine rack according to the third alternative embodiment of the present invention.
 The broken dot-dash lines in the figures are for illustrative purposes only and represent non-claimed environmental subject matter. Neither the portions of the invention shown in broken dot-dash line nor the broken dot-dash lines themselves form any part of the claimed invention.

1 Claim, 18 Drawing Sheets

(58) **Field of Classification Search**

CPC A47B 57/562; A47B 57/56; A47B 73/00;
 A47B 73/006; A47B 73/008; A47B
 81/04; A47B 81/007; A47B 96/06; A47B
 96/061; A47B 95/008; A47G 23/0208;
 A47F 5/08; A47F 5/0823; A47F 5/0815;
 A47F 7/28

See application file for complete search history.

(56) **References Cited**

U.S. PATENT DOCUMENTS

1,206,203 A 11/1916 Brockway
 2,081,216 A 5/1937 Bosserman

2,285,632	A	6/1942	Urbain	
D226,051	S	1/1973	Fujinami	
3,746,179	A	7/1973	Paumgardhen	
3,923,277	A	12/1975	Perrault et al.	
4,450,989	A	5/1984	Bogar, Jr.	
4,482,065	A	11/1984	Altemose	
4,709,888	A	12/1987	Cubit et al.	
D307,220	S	4/1990	Kaufman, Jr.	
4,960,253	A	10/1990	Perrault et al.	
D368,648	S	4/1996	Losier	
5,505,316	A	4/1996	Lee	
D376,299	S	12/1996	Audet	
5,632,457	A	5/1997	Neely, Jr.	
D460,902	S	7/2002	Battle	
6,443,316	B1	9/2002	Mao	
6,763,956	B2	7/2004	Woods	
6,991,117	B2	1/2006	McCain	
7,201,282	B1	4/2007	Alderman	
7,234,254	B2	6/2007	Schmidt	
D553,453	S *	10/2007	Toth	D7/701
7,284,671	B1	10/2007	Doscher	
7,850,017	B2	12/2010	McCain	
7,882,967	B2	2/2011	Hynes	
8,231,015	B2	7/2012	McCain	
D680,393	S *	4/2013	Hendrick	D7/707
8,596,590	B2	12/2013	McCoy	
8,684,194	B2	4/2014	McCain	
8,777,019	B2	7/2014	Dovell	
8,840,071	B2	9/2014	Oh et al.	
8,973,766	B2	3/2015	Sprang, Jr.	
9,149,115	B2	10/2015	Kasza et al.	
D751,871	S *	3/2016	Polley	D7/701
9,364,085	B2	6/2016	McCain	
9,763,515	B2	9/2017	Fratilla et al.	
9,781,999	B2	10/2017	McCain	
10,004,330	B1	6/2018	Kasza	
2011/0132853	A1 *	6/2011	Drobot	A47B 57/562 211/42
2012/0085721	A1	4/2012	Michael J. et al.	
2014/0339182	A1	11/2014	Koder et al.	
2016/0007743	A1	1/2016	Koder et al.	
2016/0100685	A1 *	4/2016	Tibbe	A47B 96/061 248/218.4
2017/0360195	A1	12/2017	McCain	
2019/0021492	A1	1/2019	Sill	
2019/0365095	A1 *	12/2019	Di Prima	A47B 73/00

* cited by examiner

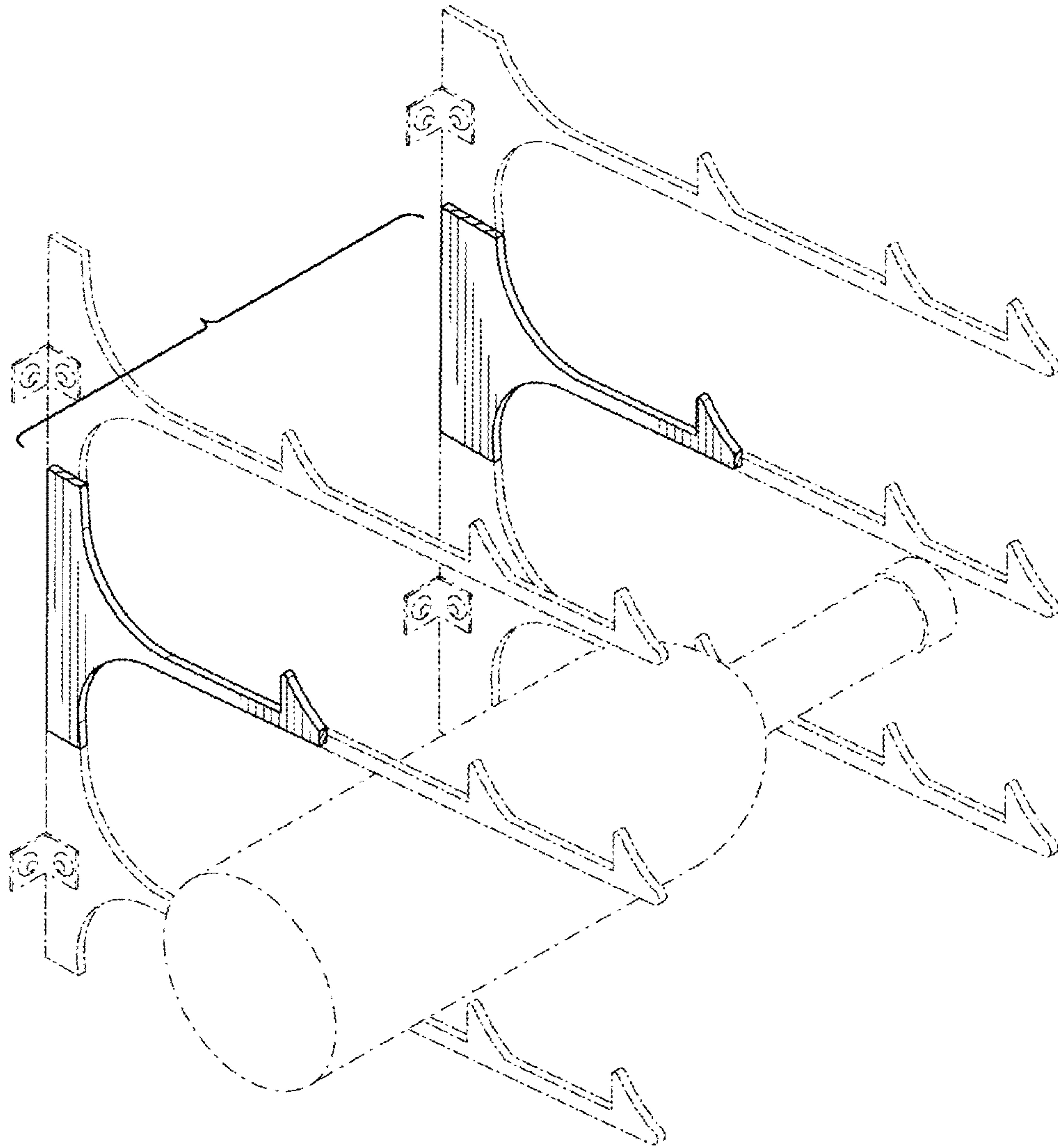


FIG. 1

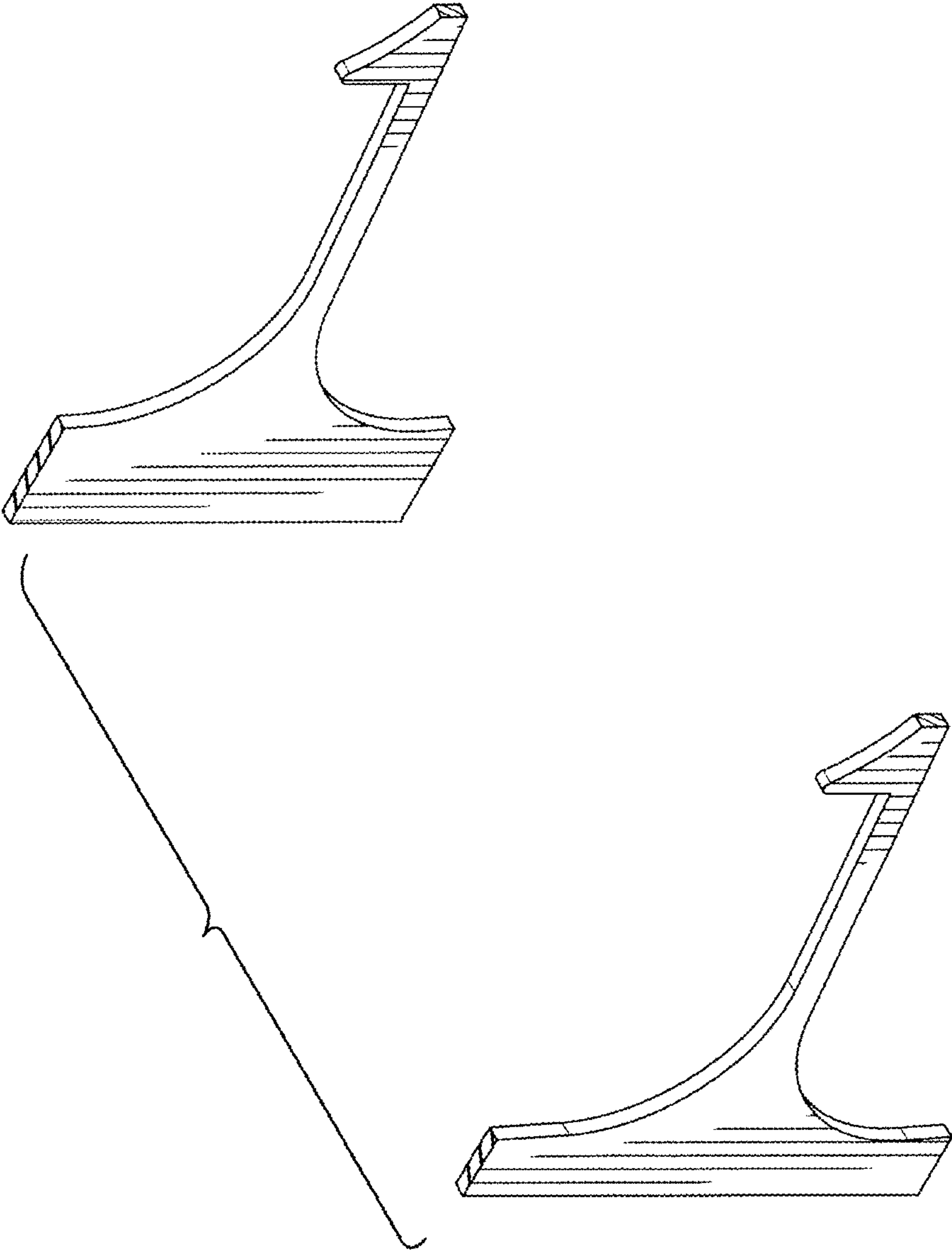


FIG. 2

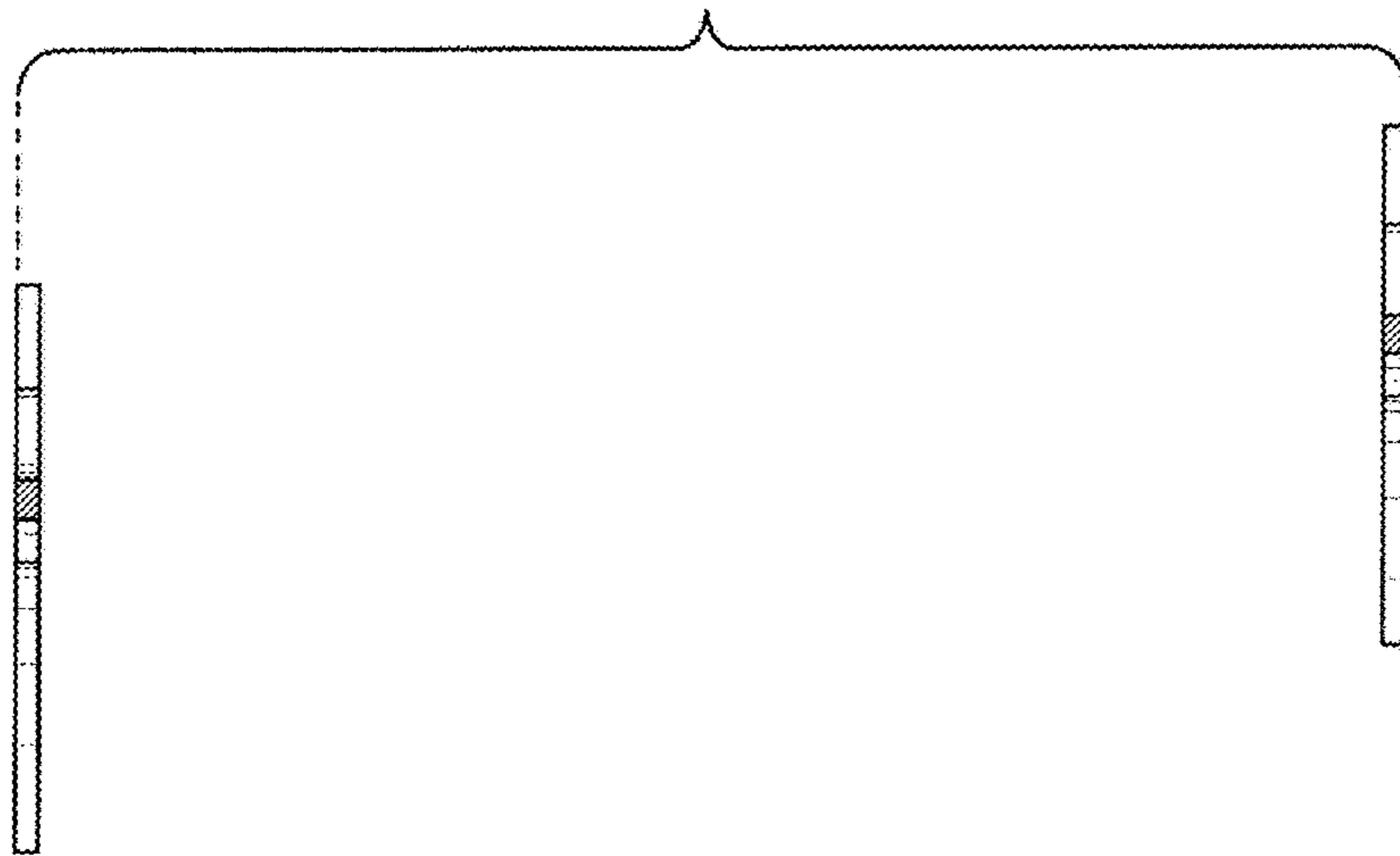


FIG. 3

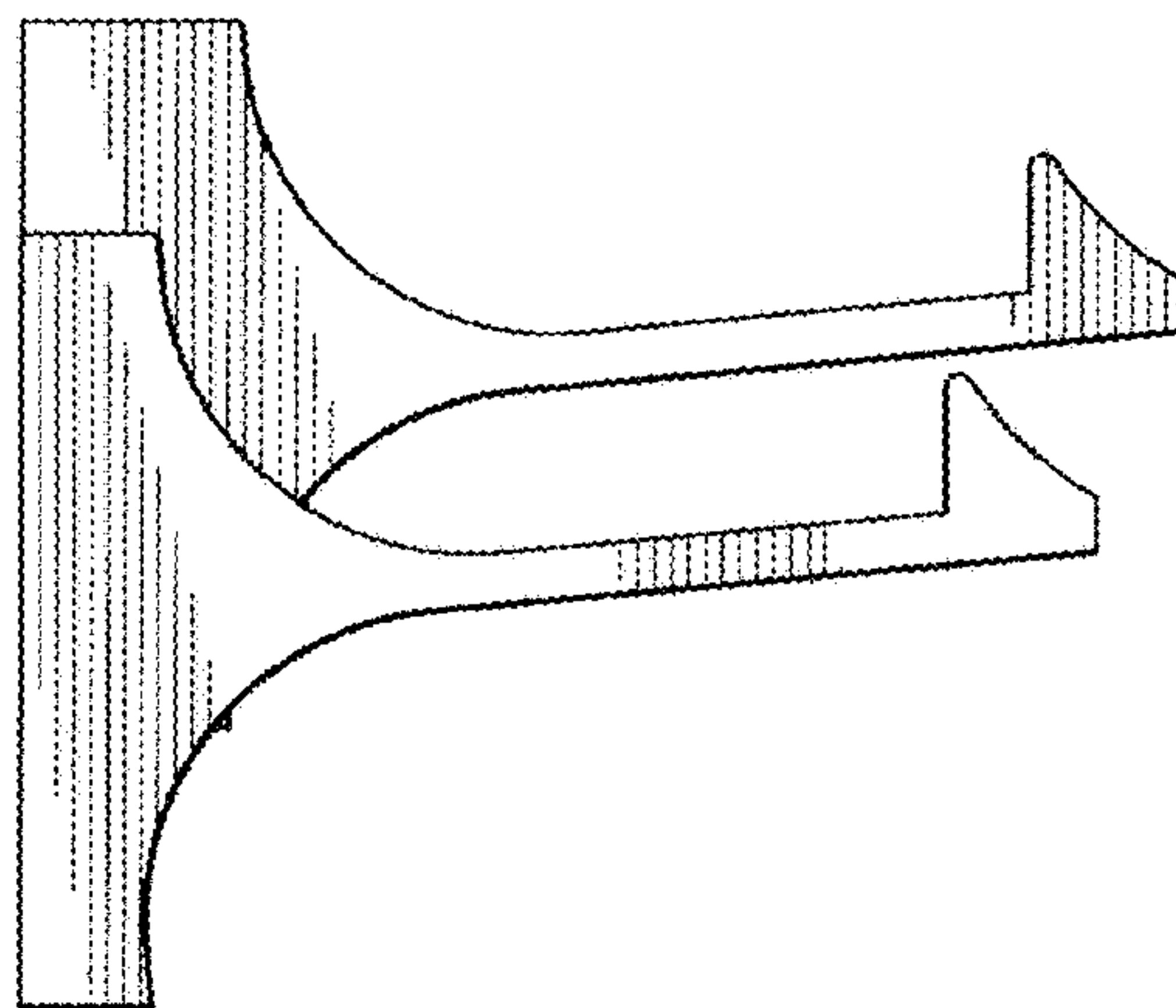


FIG. 4

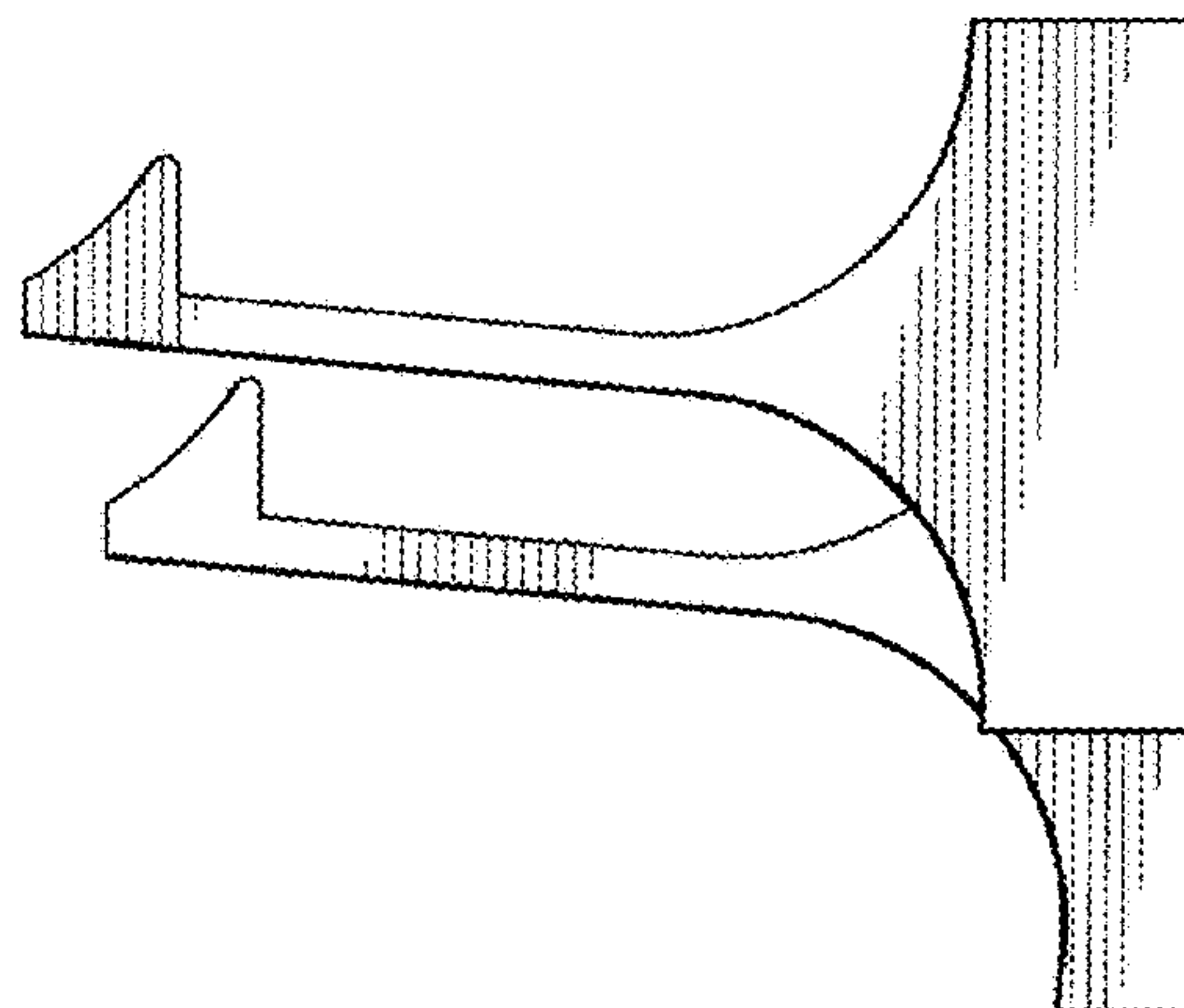


FIG. 5

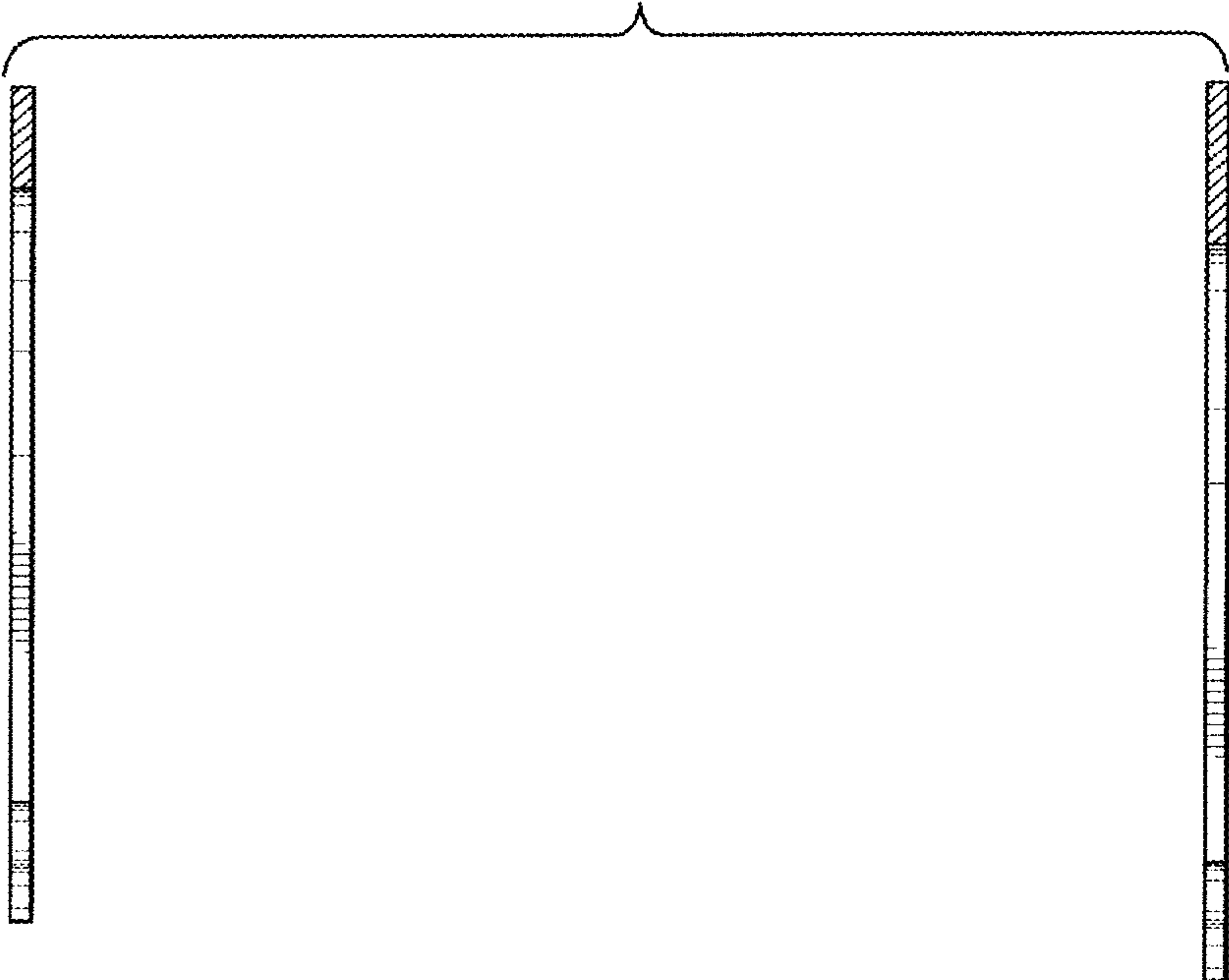


FIG. 6

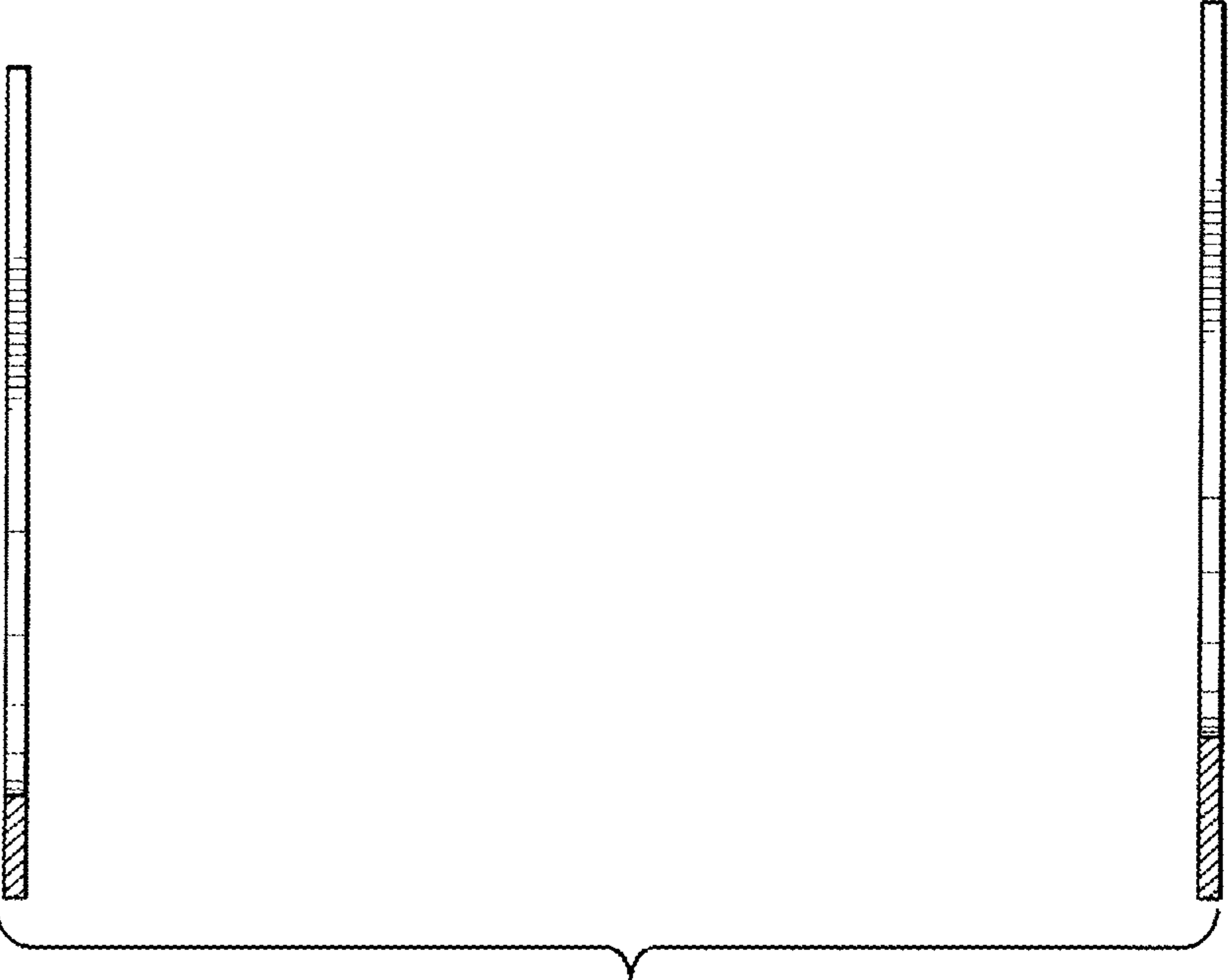


FIG. 7

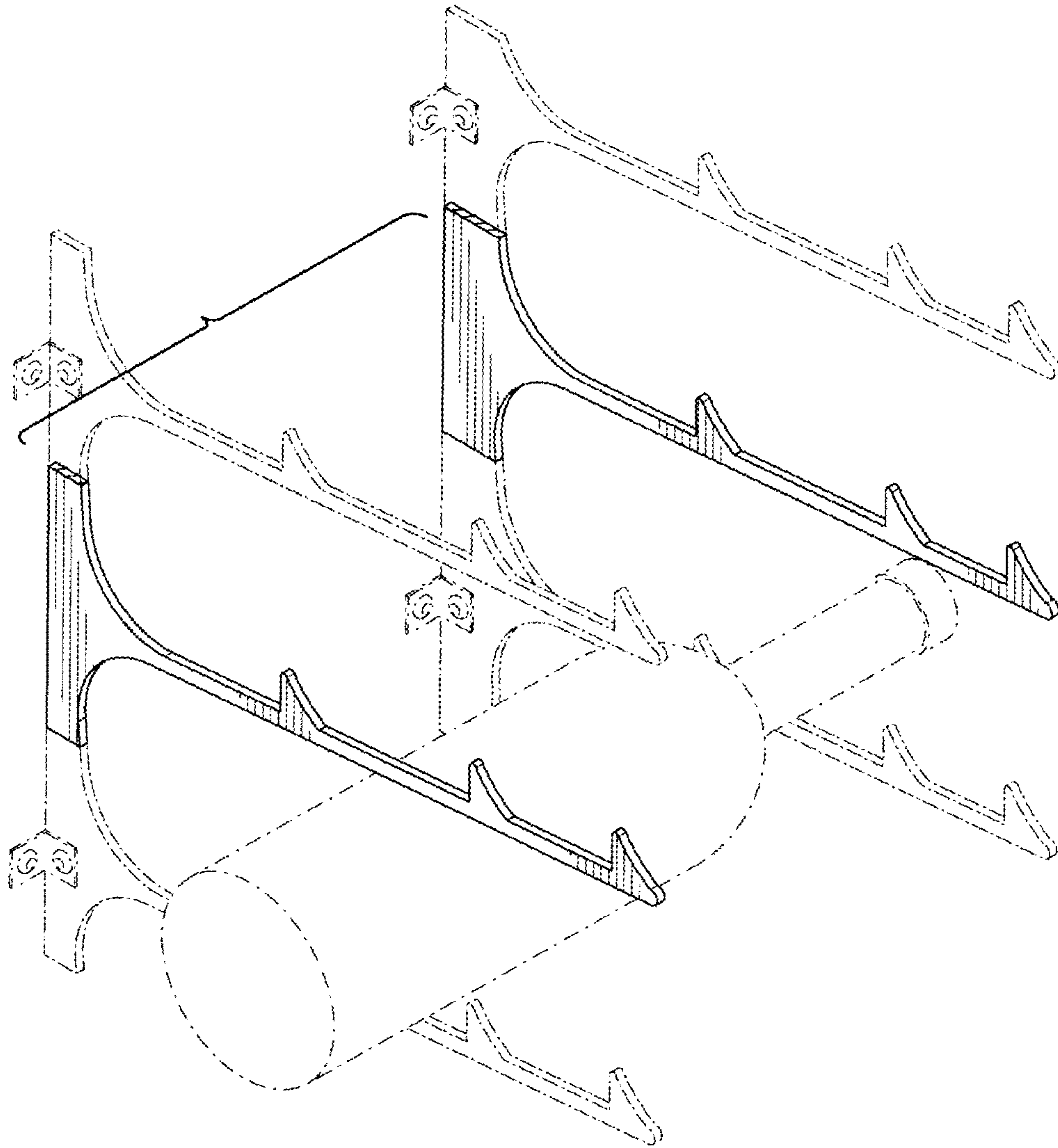


FIG. 8

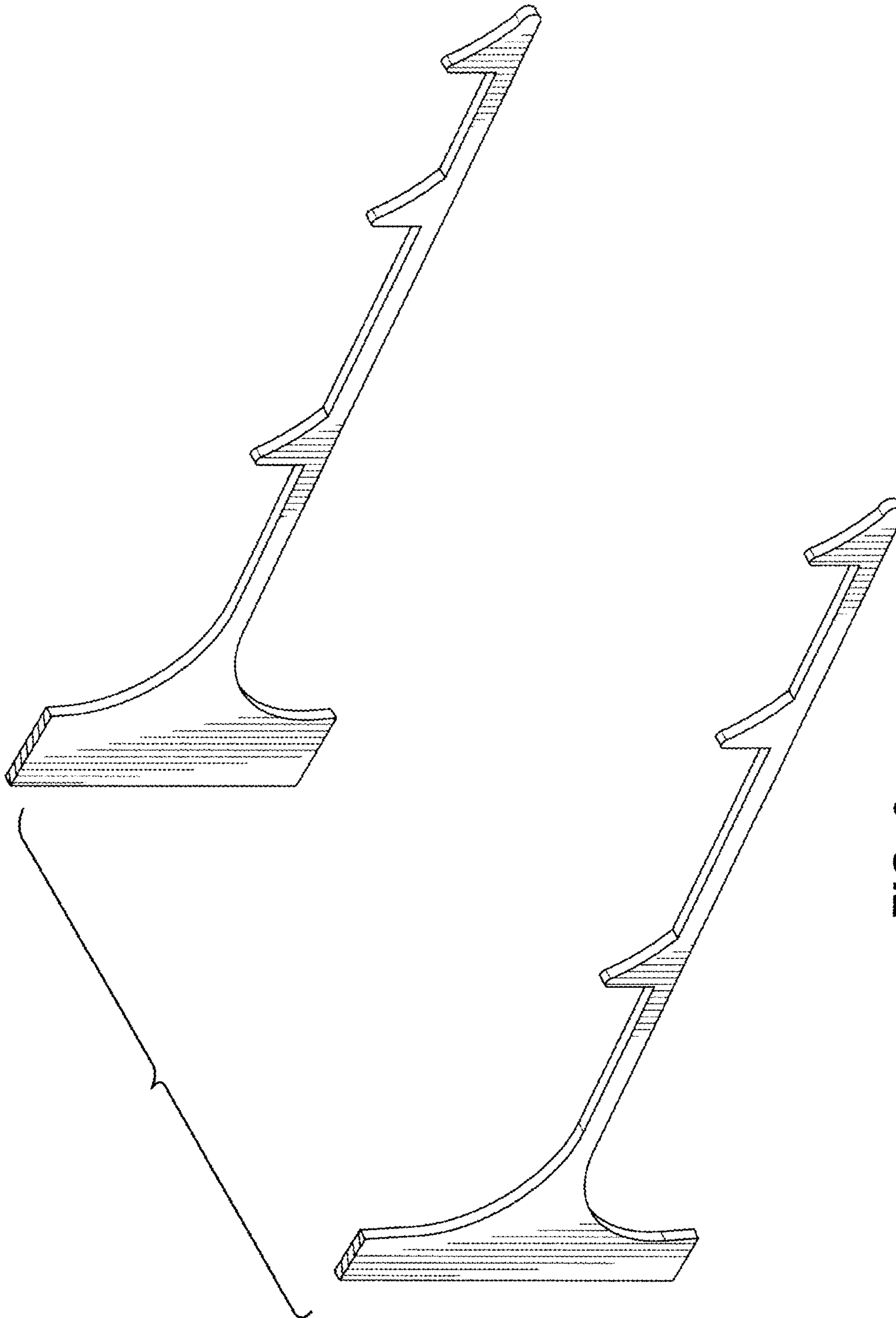


FIG. 9

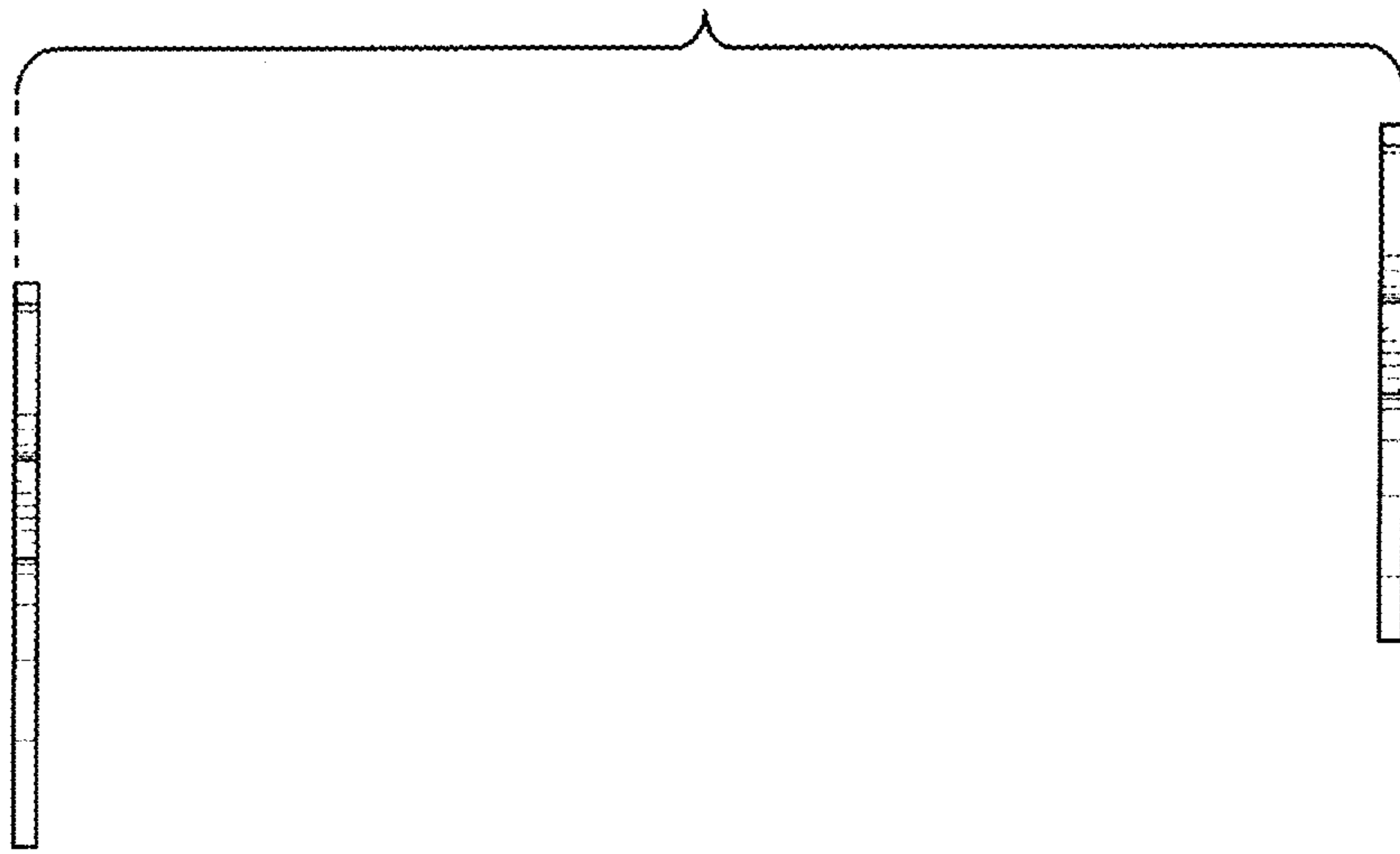


FIG. 10

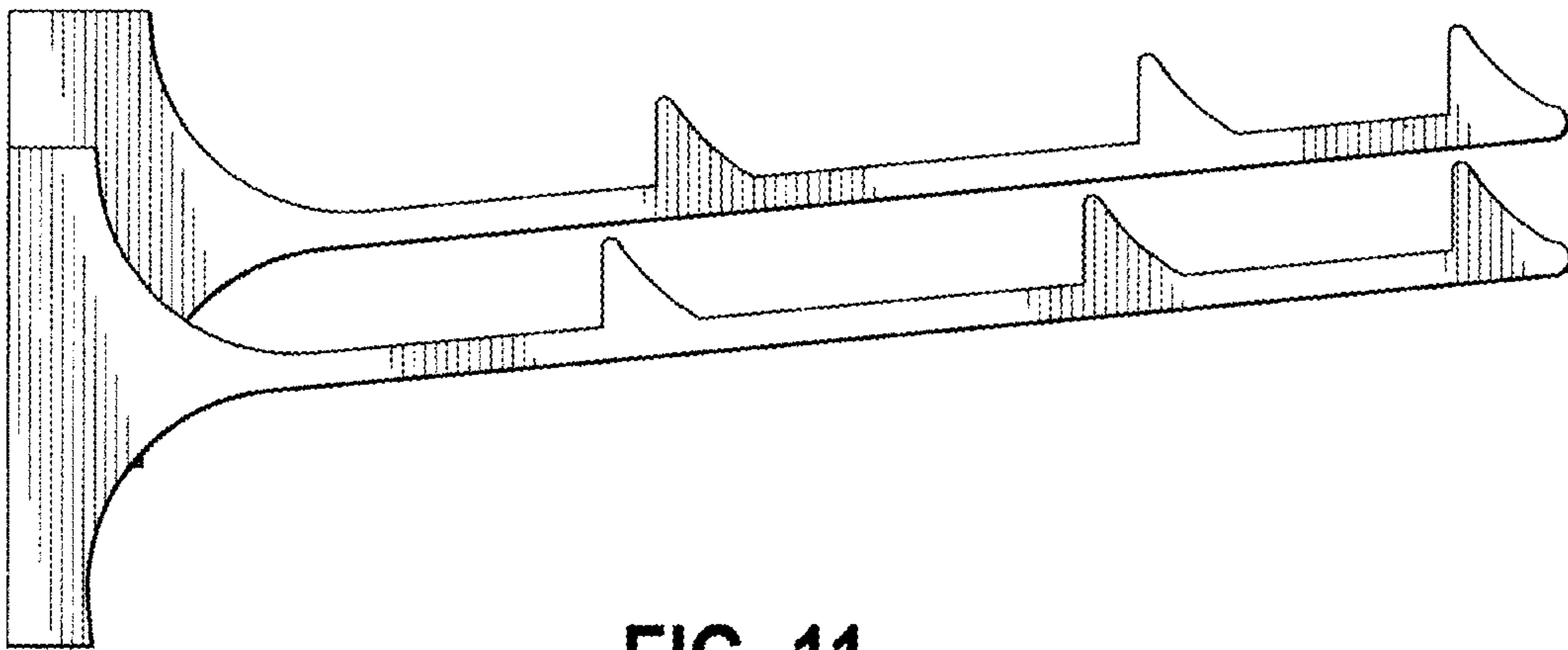


FIG. 11

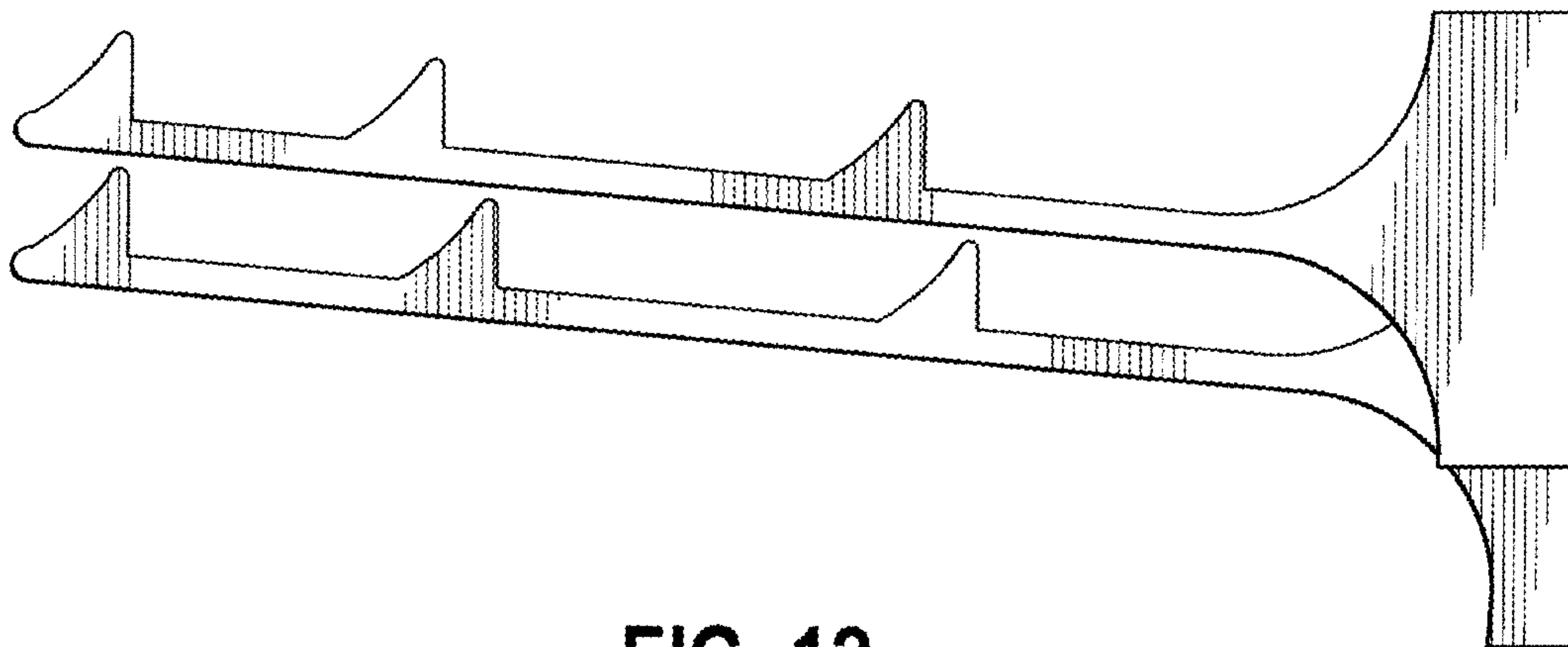


FIG. 12

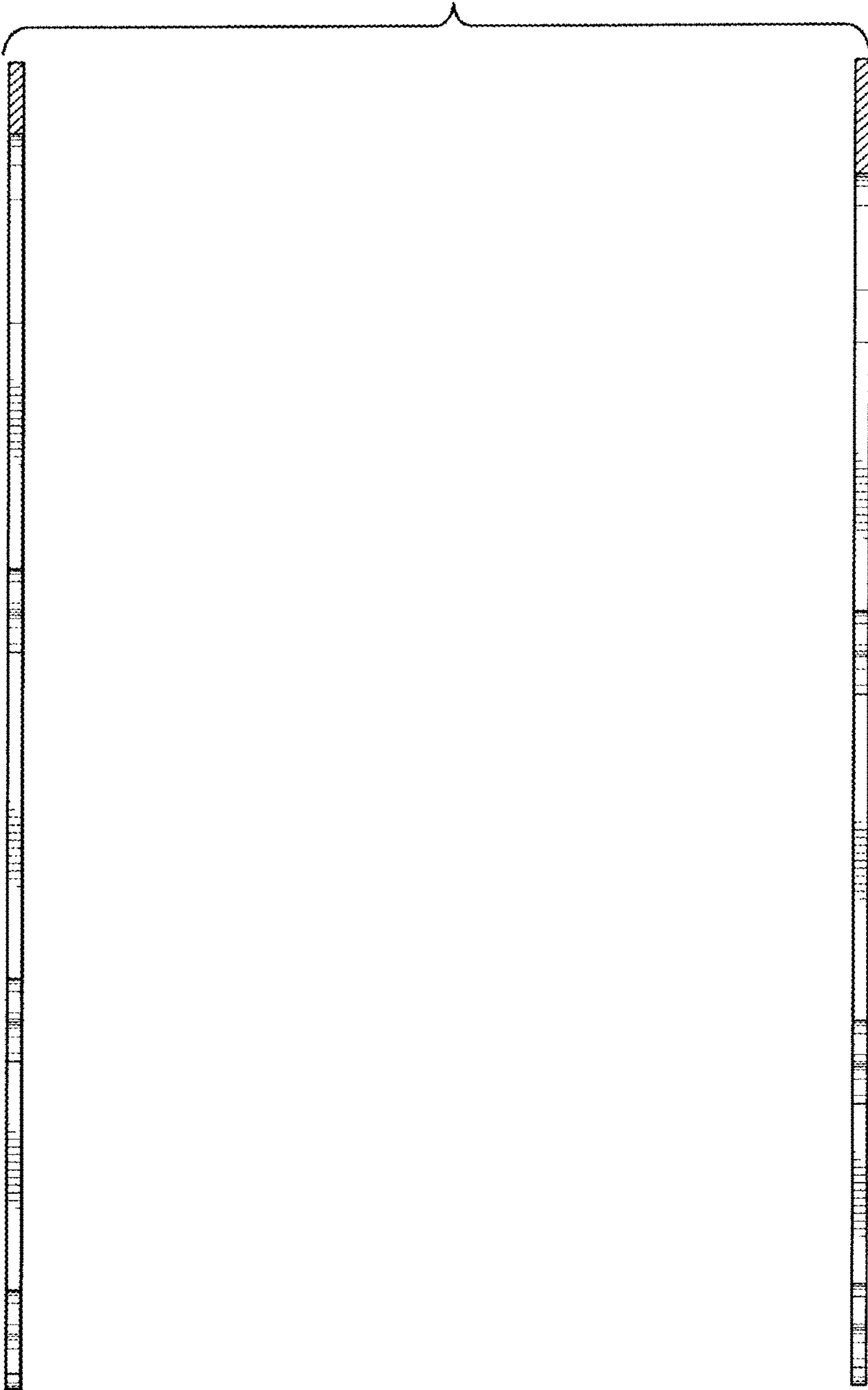


FIG. 13

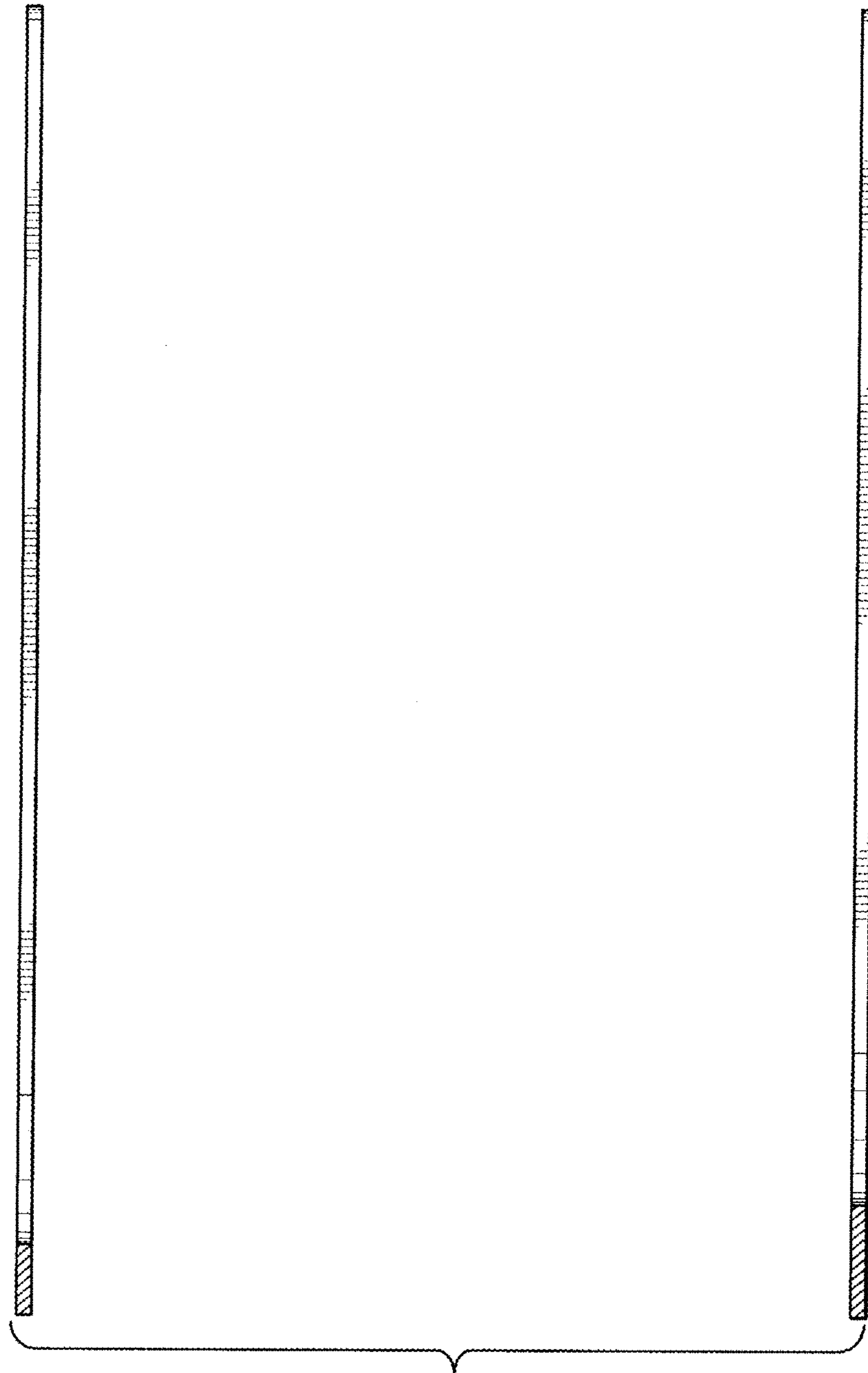


FIG. 14

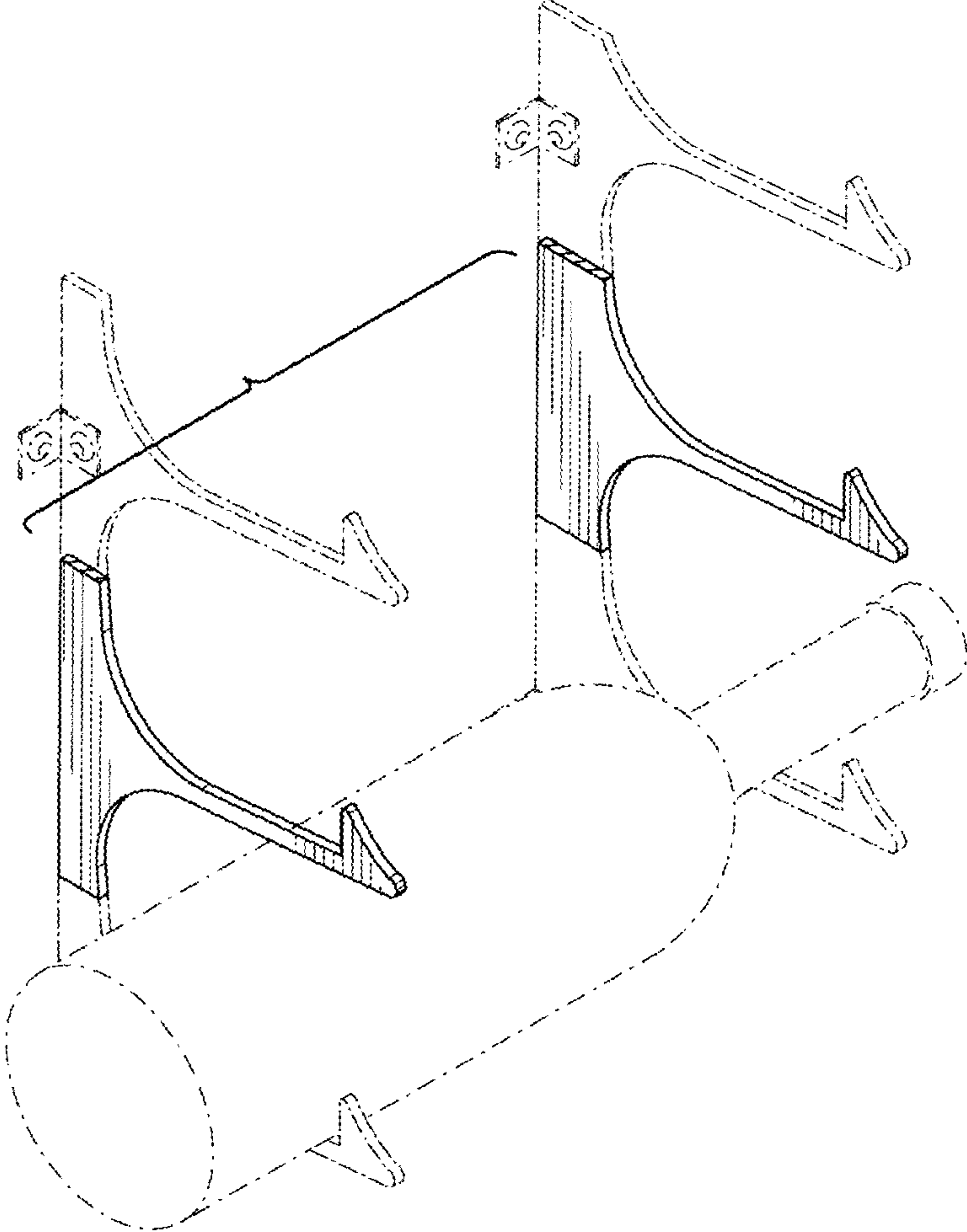


FIG. 15

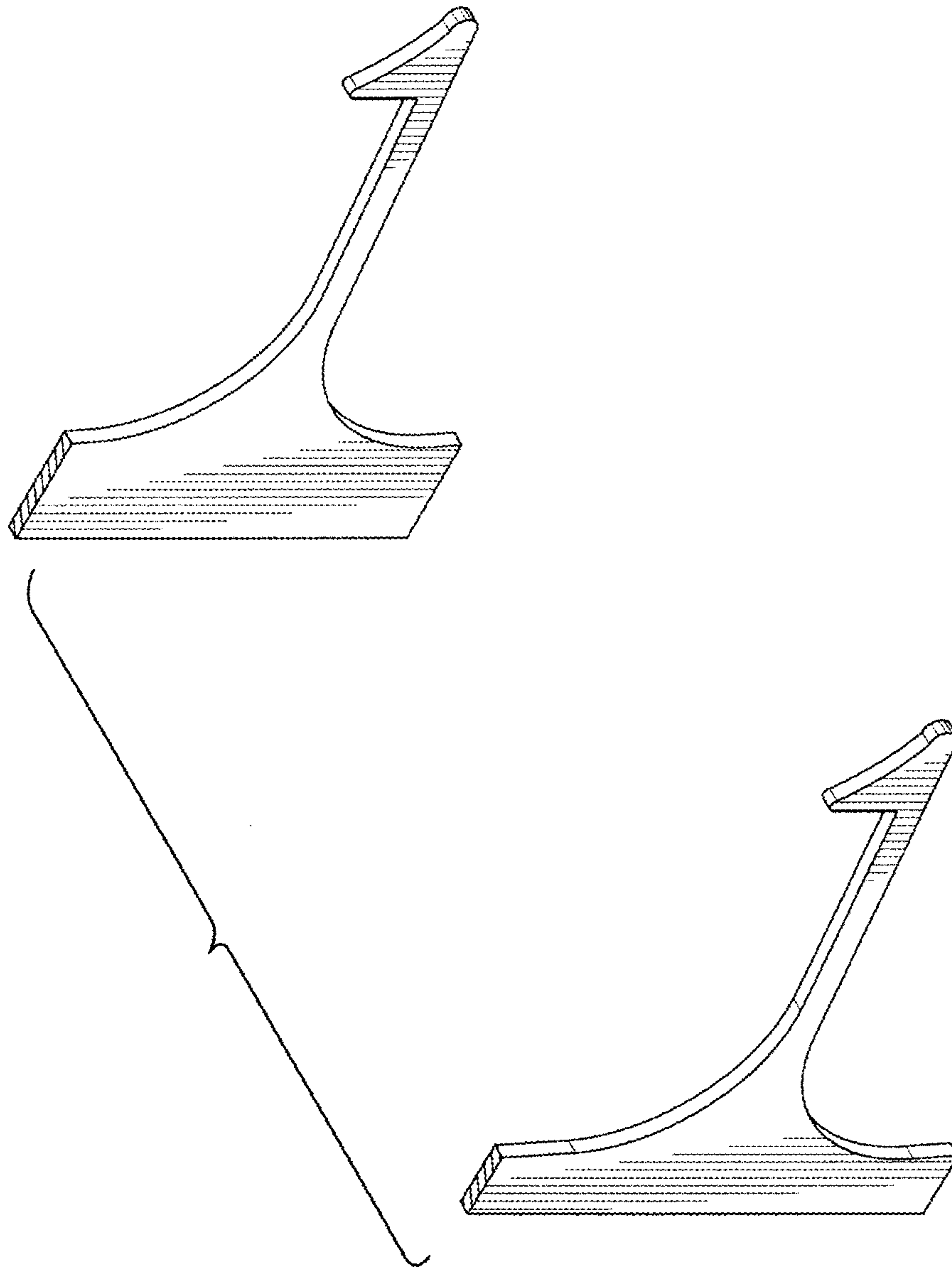


FIG. 16

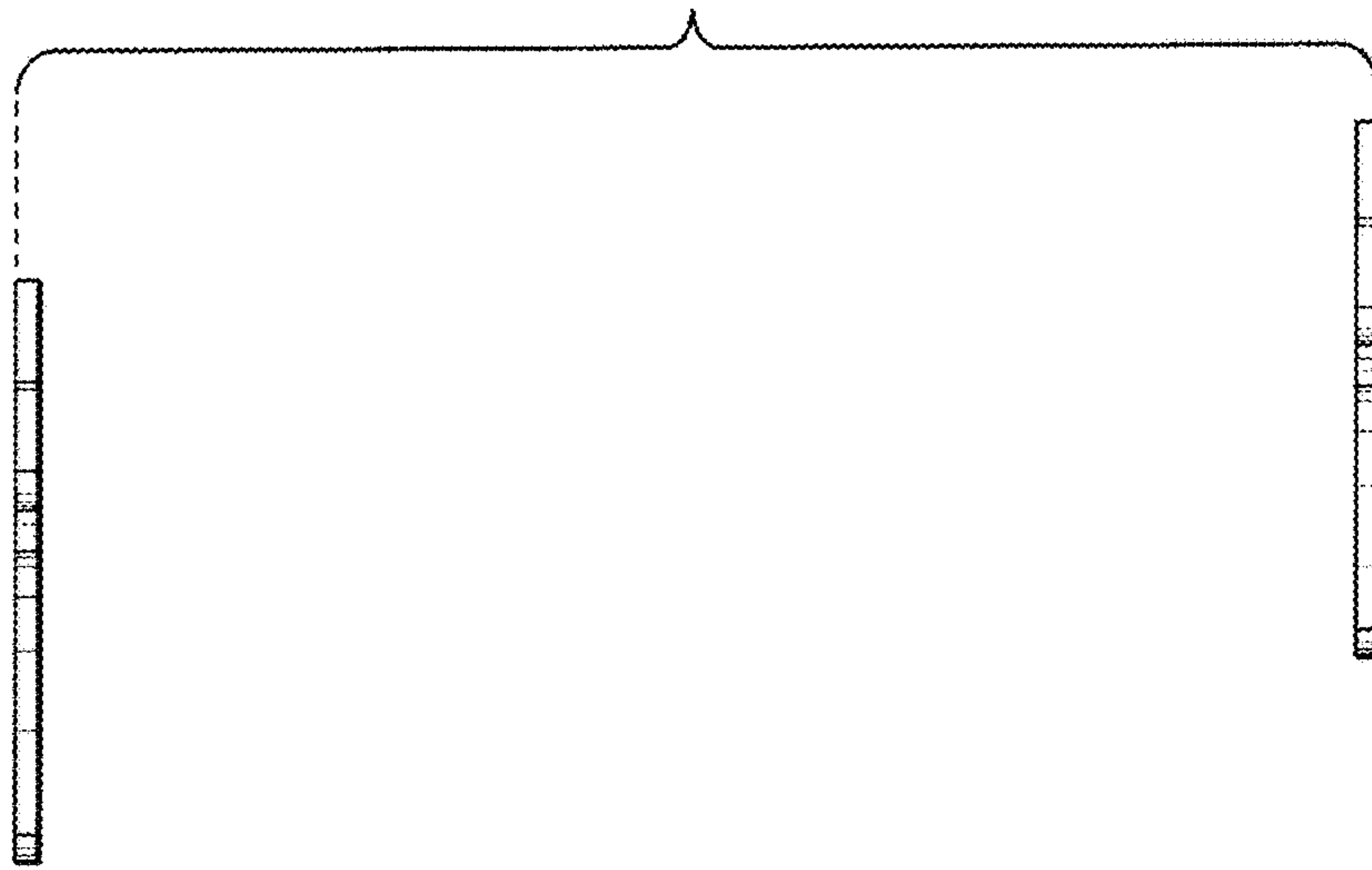


FIG. 17

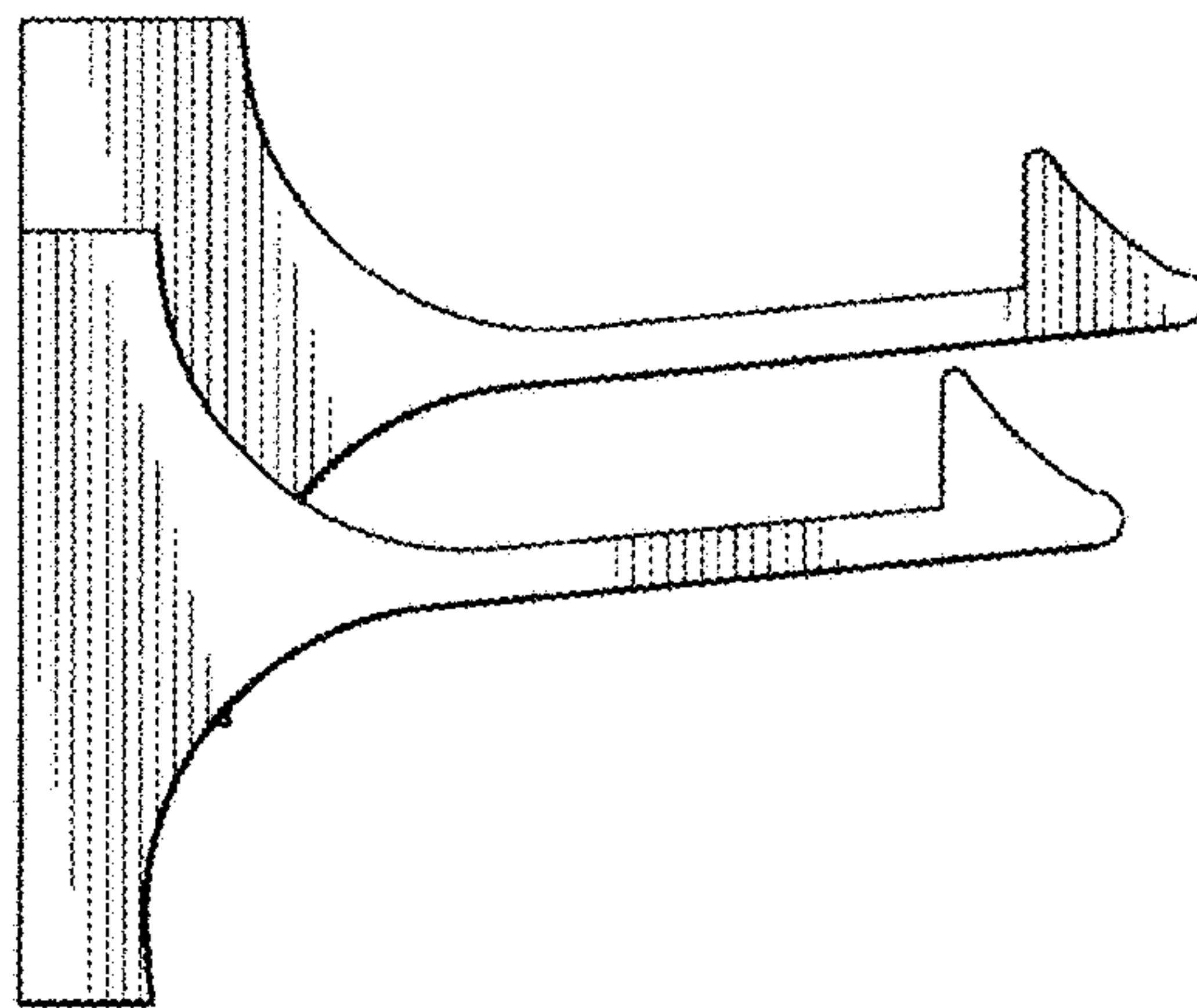


FIG. 18

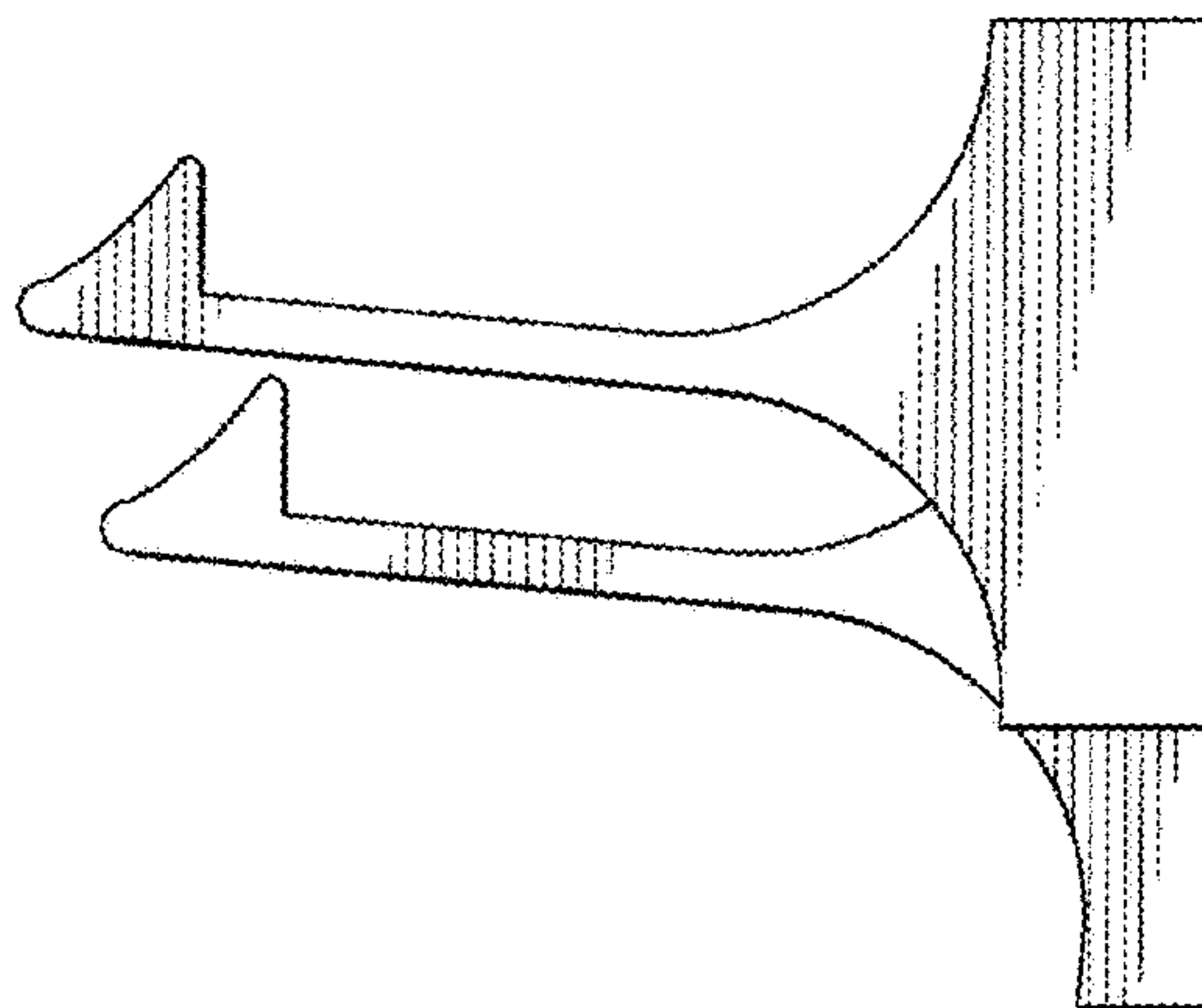


FIG. 19

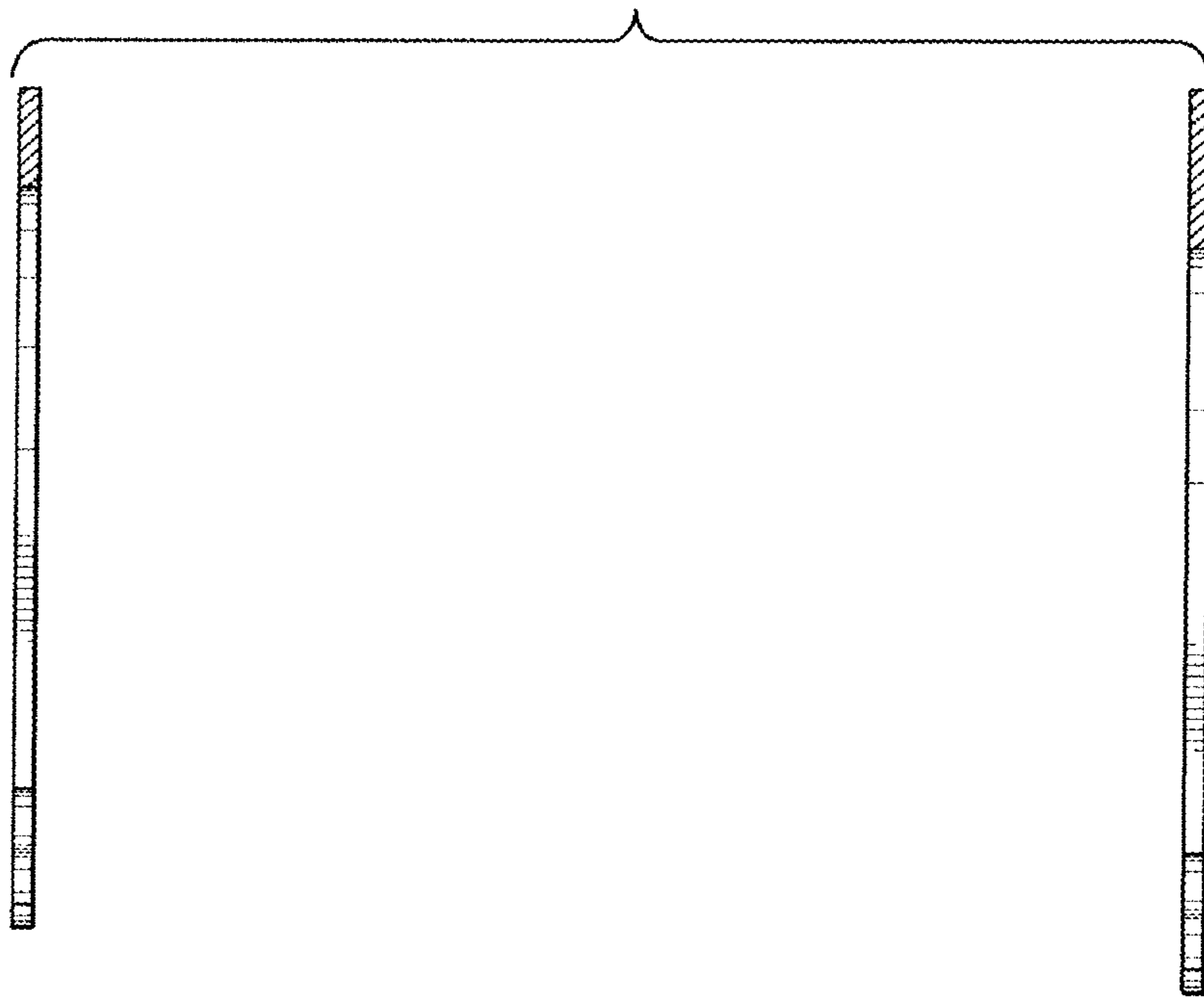


FIG. 20

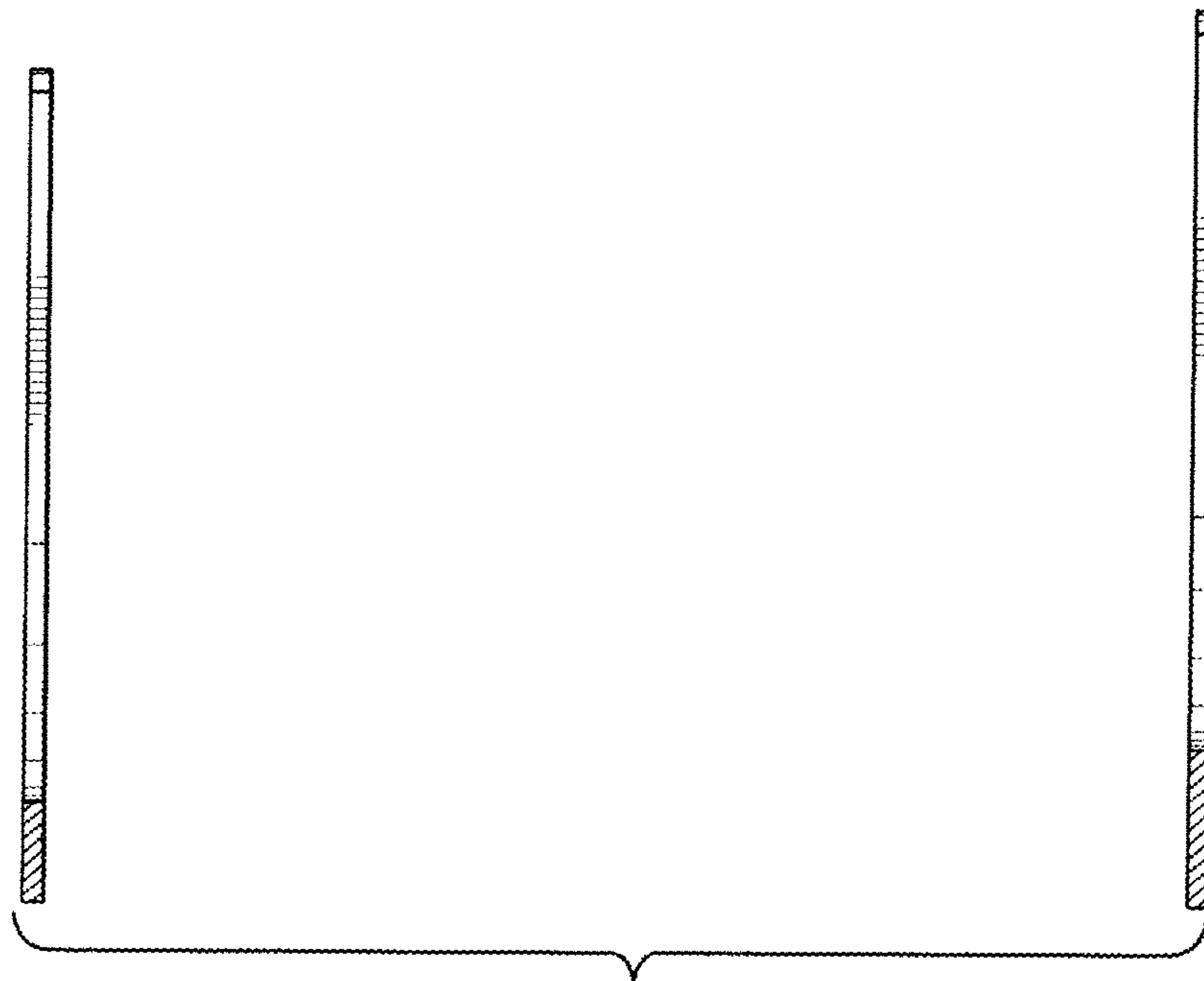


FIG. 21

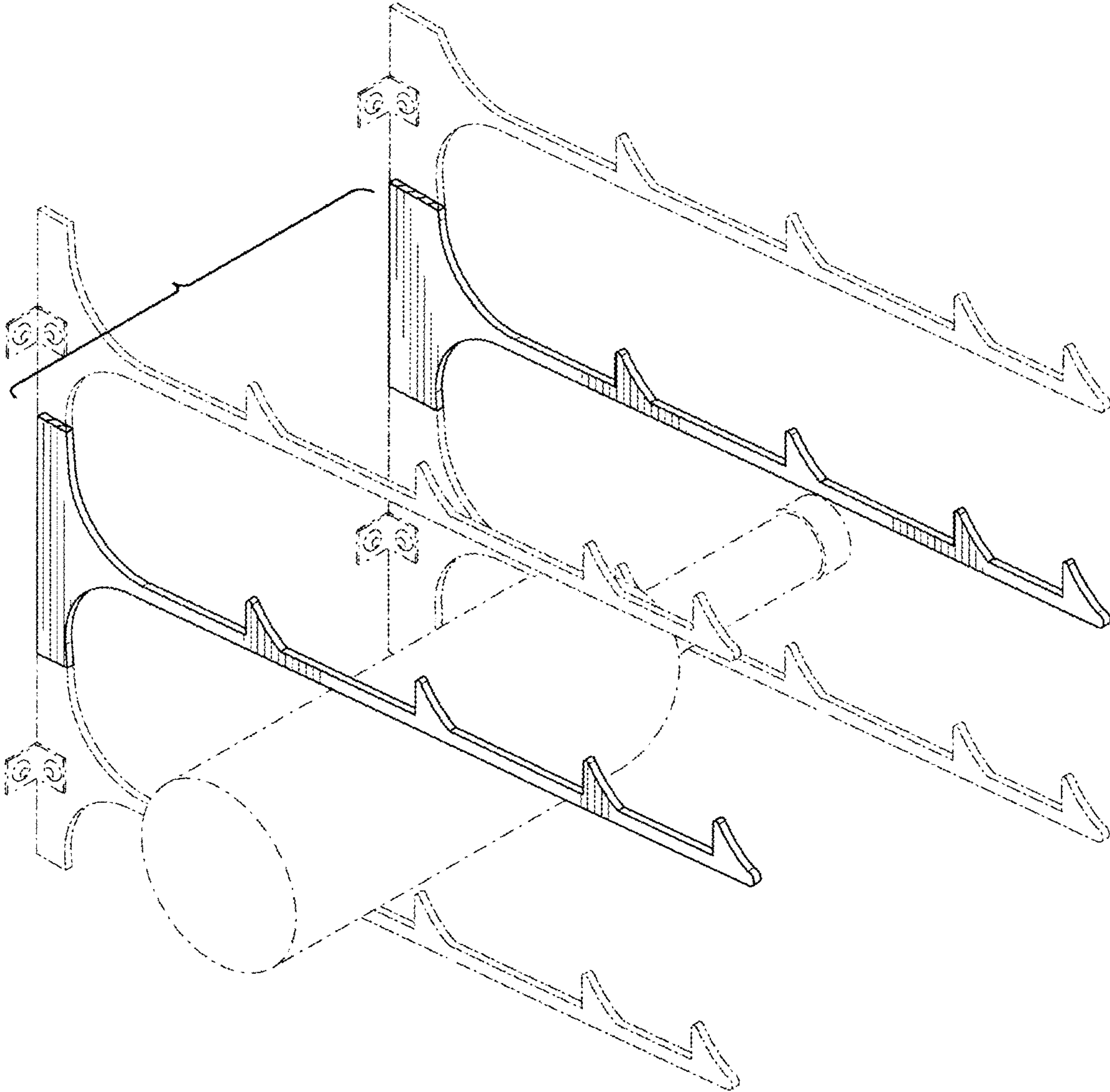


FIG. 22

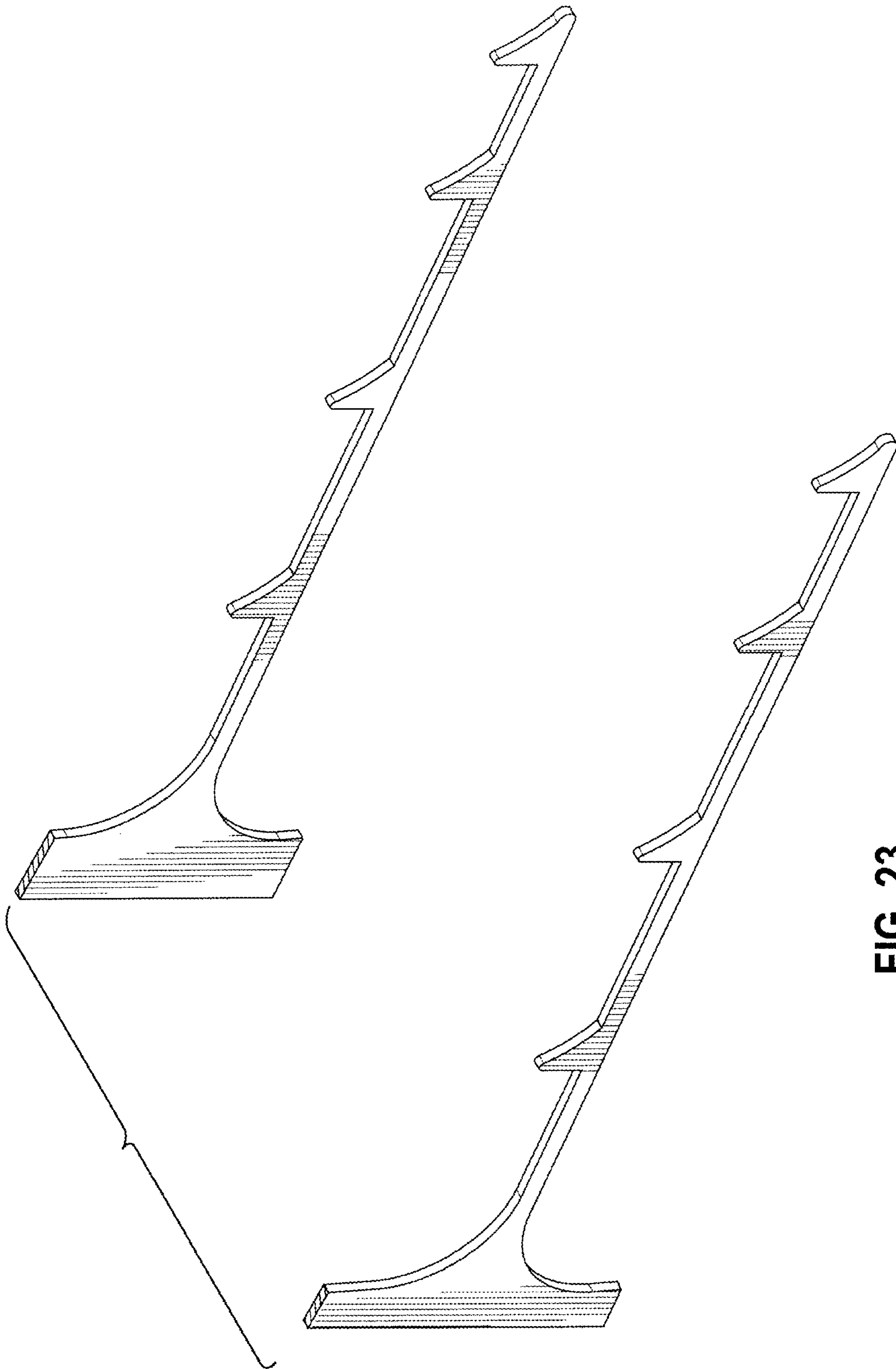


FIG. 23

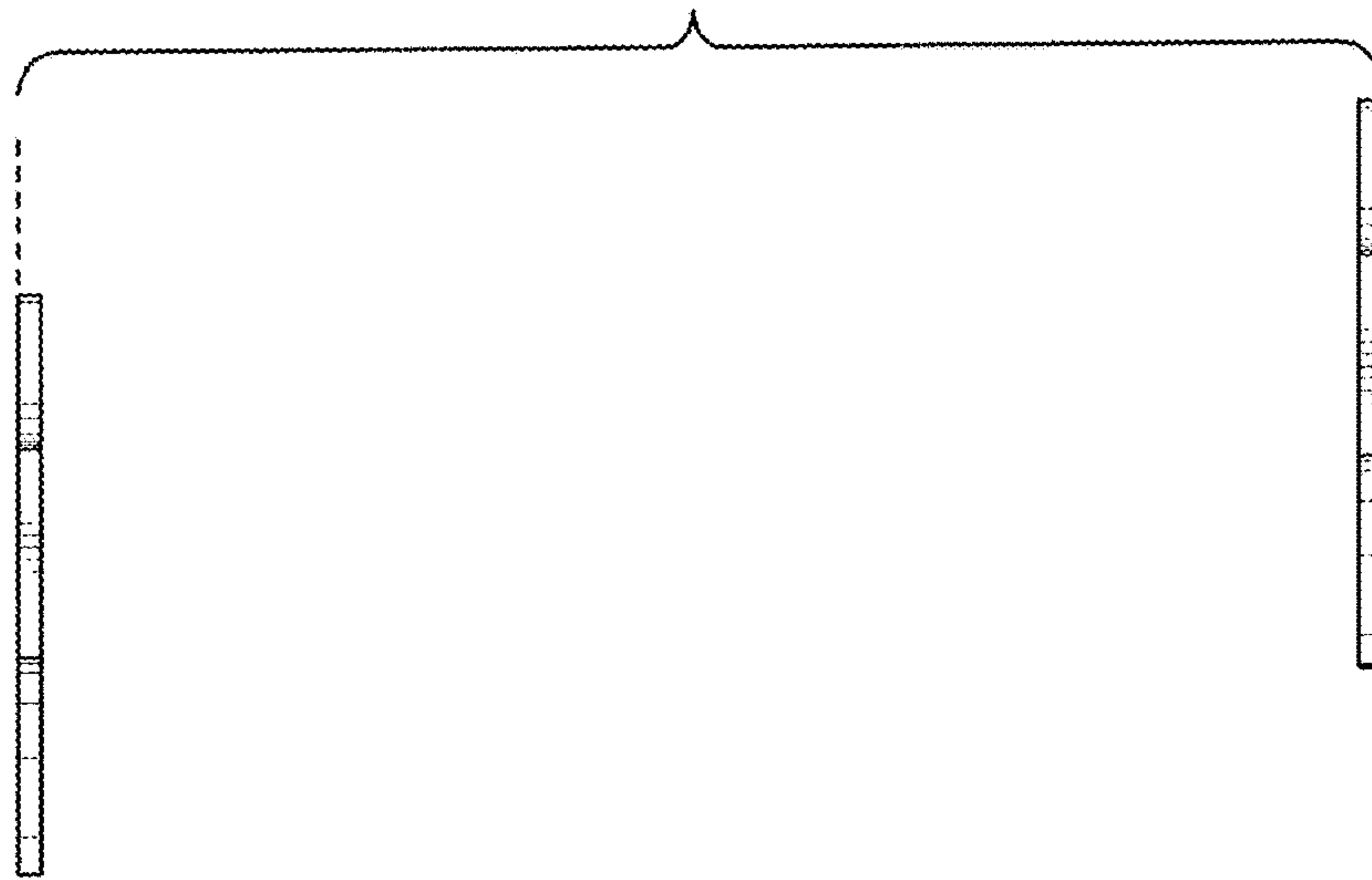


FIG. 24

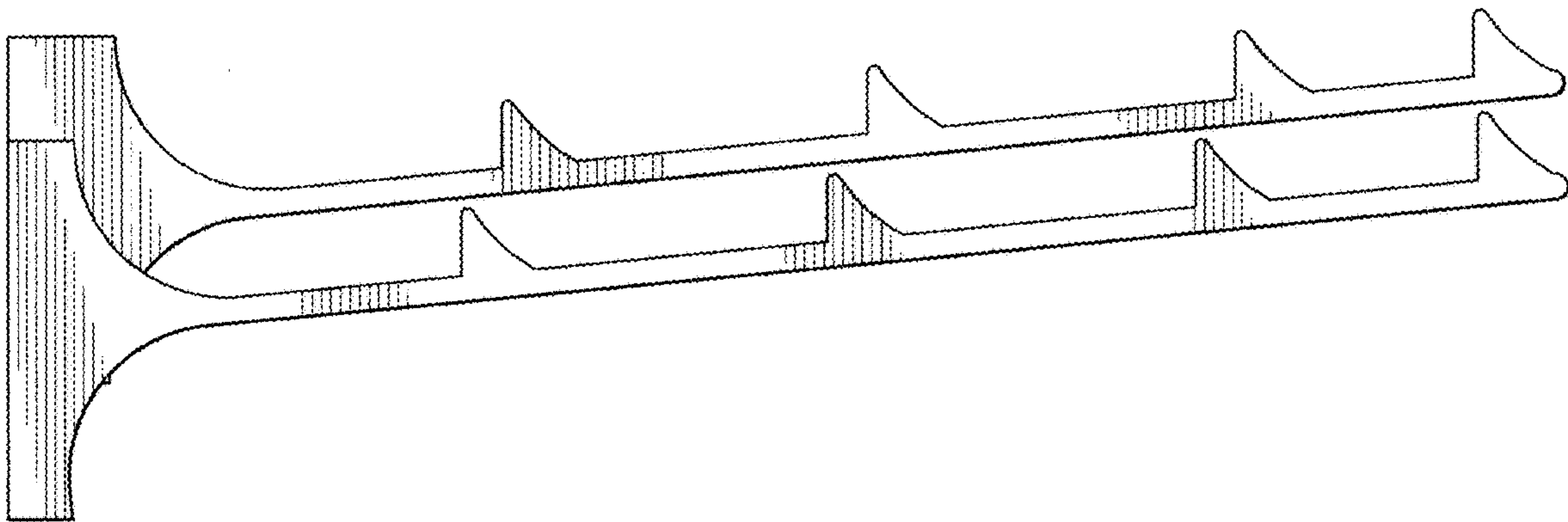


FIG. 25

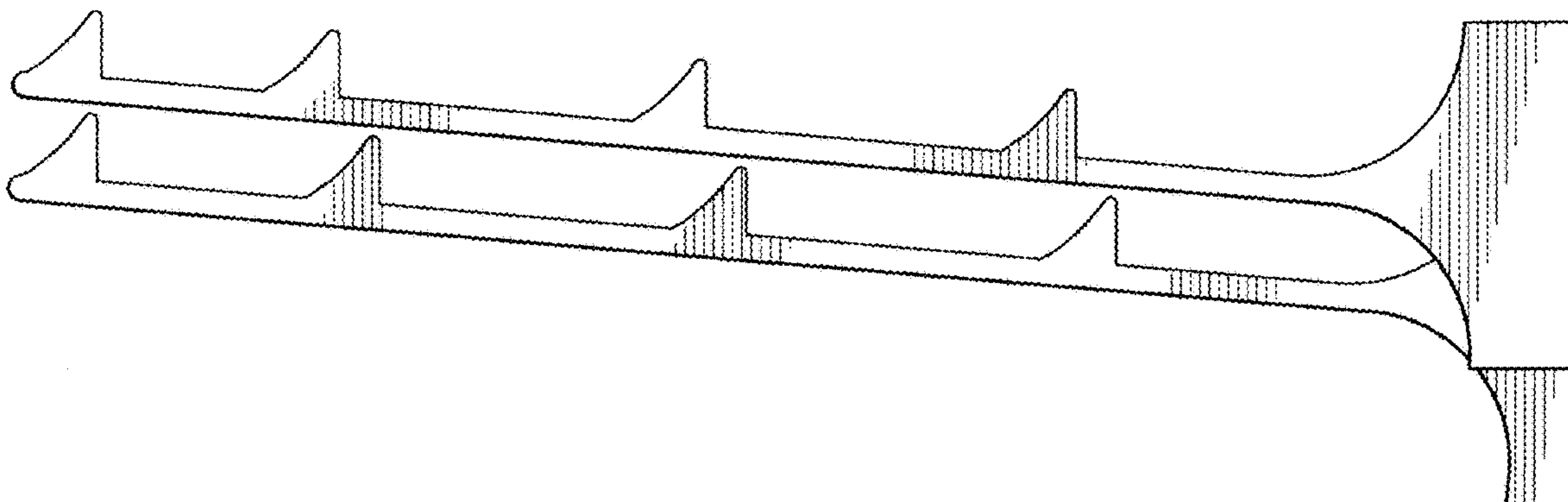


FIG. 26

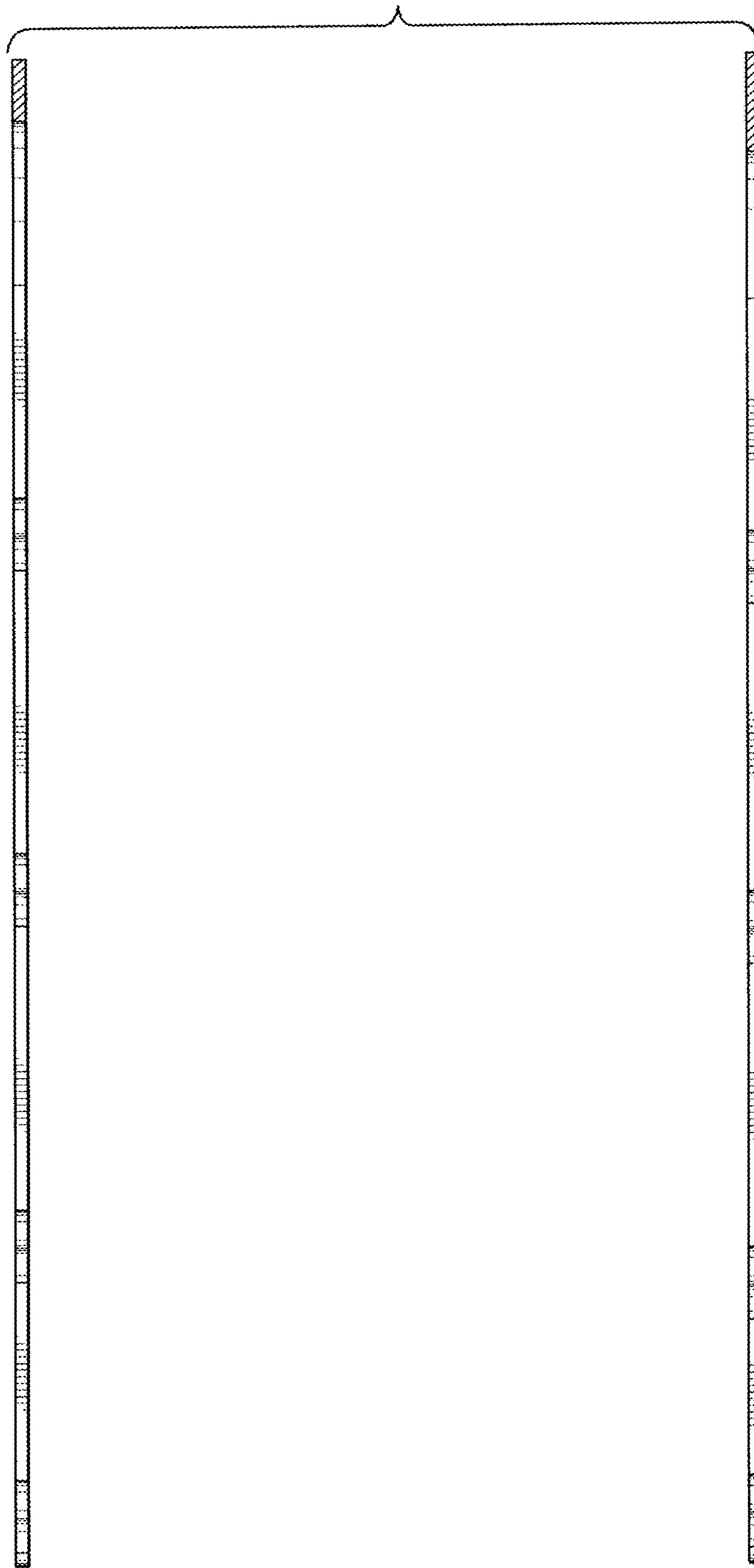


FIG. 27

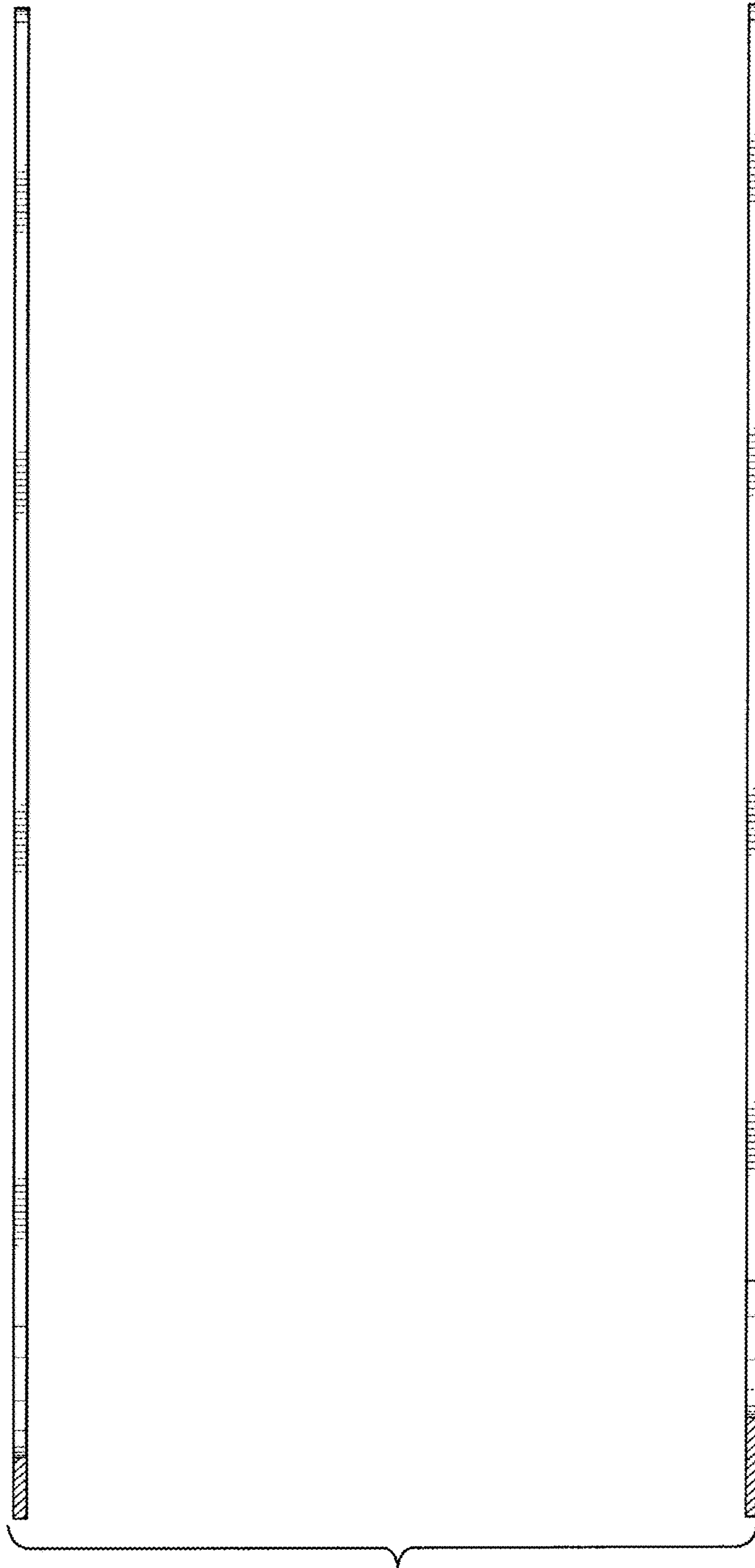


FIG. 28