



US00D924018S

(12) **United States Design Patent** (10) **Patent No.:** **US D924,018 S**
Huang (45) **Date of Patent:** **** Jul. 6, 2021**

(54) **HERB GRINDER**

(71) Applicant: **Cloudious9 Inc.**, Fremont, CA (US)
(72) Inventor: **Richard Yao Tien Huang**, Fremont, CA (US)
(**) Term: **15 Years**
(21) Appl. No.: **29/698,990**
(22) Filed: **Jul. 22, 2019**
(51) **LOC (13) Cl.** **07-04**
(52) **U.S. Cl.**
USPC **D7/679**; D27/195
(58) **Field of Classification Search**
USPC D7/372, 373, 381, 383, 590–597, 679,
D7/693; D27/195; D9/428, 504, 766,
D9/767, 772, 773; D28/8
CPC .. A47J 42/14; A47J 42/00; A47J 42/04; A47J
42/34; A47J 42/40; A47J 42/50; A47J
19/04; A47J 43/25; A47J 43/04; A47J
44/00; A24B 7/00; A24C 5/40
See application file for complete search history.

(56) **References Cited**

U.S. PATENT DOCUMENTS

D609,052 S * 2/2010 Wilson D7/401.1
D613,553 S * 4/2010 Wilson D7/401.1
8,393,563 B2 3/2013 Chaoui et al.
D723,878 S * 3/2015 Smith D7/679
D724,394 S * 3/2015 Smith D7/679
D762,091 S * 7/2016 Grumbacher D7/679
9,565,972 B1 2/2017 Ormaza
D787,280 S * 5/2017 Moreau D7/679
9,895,698 B2 2/2018 Spielman
10,039,418 B2 8/2018 Staiano et al.
D833,673 S * 11/2018 Booth D27/194
D842,537 S * 3/2019 Booth D27/194
D897,757 S * 10/2020 Abahasera D7/372

(Continued)

FOREIGN PATENT DOCUMENTS

GB 6014778 * 7/2017

OTHER PUBLICATIONS

Tectonic9—Molinillo de hierbas eléctrico automático, dispensador de especias, grande, aleación de aluminio de 2.5 in, 2.5, Gris. Online, published date Sep. 14, 2019. Retrieved on Oct. 21, 2020 from URL: https://www.amazon.com/Tectonic9-Automatic-Electric-Dispenser-Aluminum/dp/B07XW6XWM7/?tag=tnw88-20&th=1.*

Primary Examiner — Susan Bennett Hattan

Assistant Examiner — Omeed Agilee

(74) *Attorney, Agent, or Firm* — Olav M. Underdal; IDP Patent Services

(57) **CLAIM**

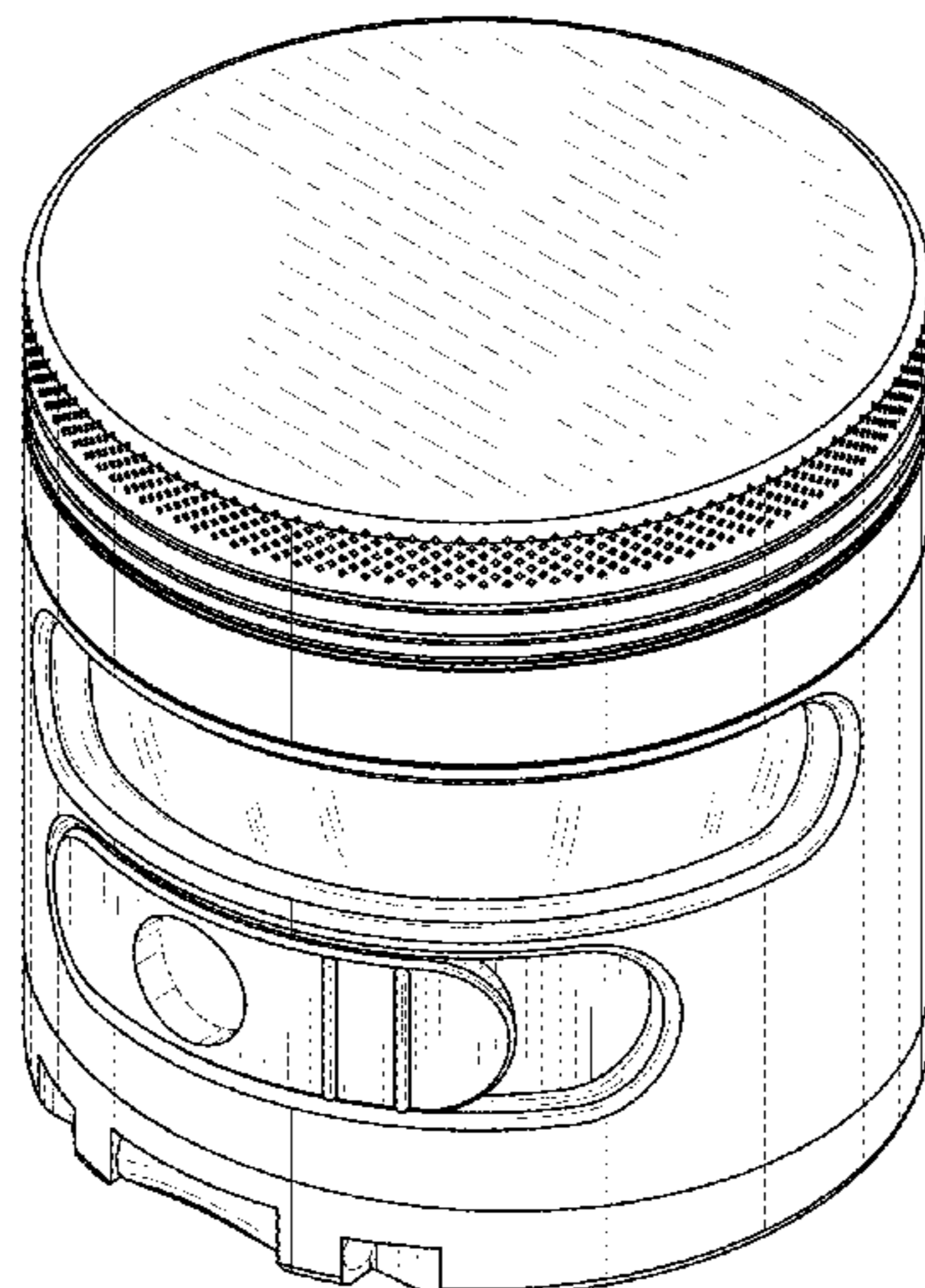
The ornamental design for an herb grinder, as shown and described.

DESCRIPTION

FIG. 1 is a top perspective view of an herb grinder showing my new design in a closed configuration;
FIG. 2 is a bottom perspective view thereof;
FIG. 3 is a bottom view thereof;
FIG. 4 is a top view thereof;
FIG. 5 is a front view thereof;
FIG. 6 is a rear view thereof;
FIG. 7 is a right side view thereof;
FIG. 8 is a left side view thereof;
FIG. 9 is a top perspective view of the herb grinder in an open configuration;
FIG. 10 is a bottom perspective view thereof;
FIG. 11 is a bottom view thereof;
FIG. 12 is a top view thereof;
FIG. 13 is a front view thereof;
FIG. 14 is a rear view thereof;
FIG. 15 is a right side view thereof; and,
FIG. 16 is a left side view thereof.

The dashed lines in the drawings depict portions of the herb grinder that form no part of the claimed design.

1 Claim, 10 Drawing Sheets



(56)

References Cited

U.S. PATENT DOCUMENTS

2015/0298135	A1	10/2015	Spielman	
2016/0095473	A1	4/2016	Perucca et al.	
2017/0181470	A1	6/2017	Li	
2017/0202396	A1*	7/2017	Gumbel	A47J 42/12
2017/0251878	A1*	9/2017	Dukat	B02C 23/10
2017/0297033	A1	10/2017	Li	
2017/0319009	A1	11/2017	Seckel et al.	
2018/0199759	A1	7/2018	Qiu	
2018/0206675	A1	7/2018	Mennillo	
2019/0125132	A1	5/2019	Powers et al.	
2019/0174957	A1	6/2019	Guetta	

* cited by examiner

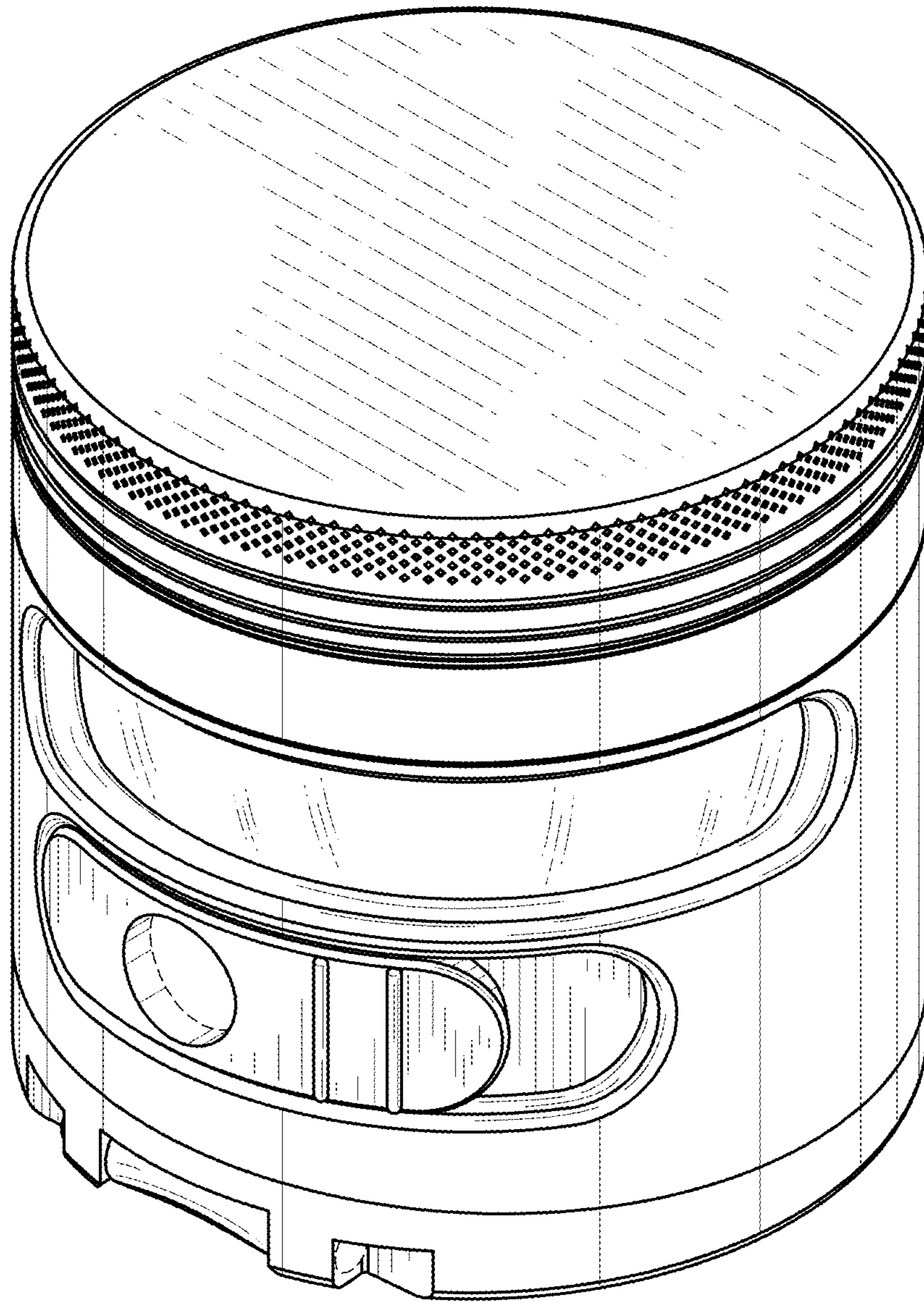


FIG. 1

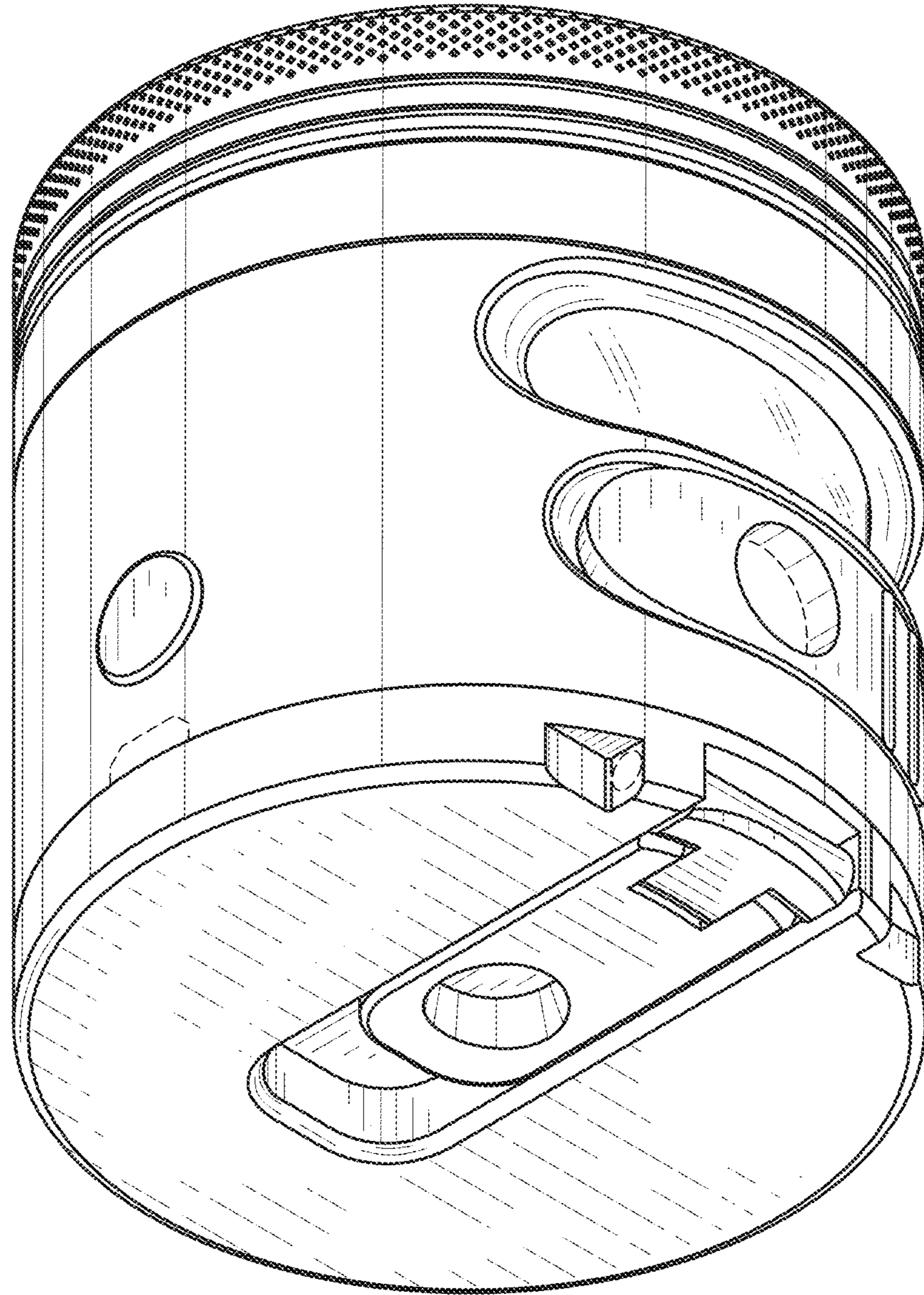


FIG. 2

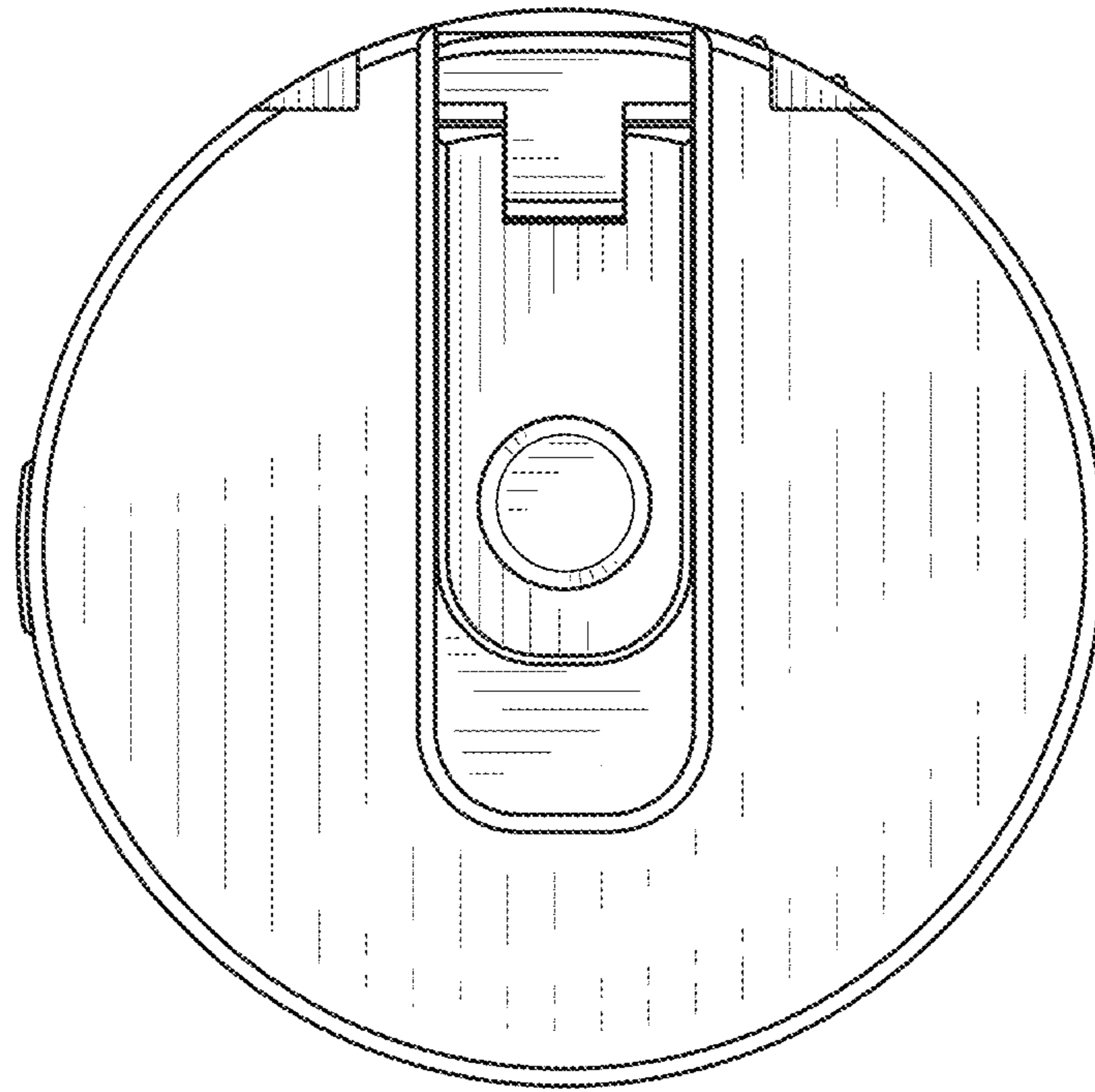


FIG. 3

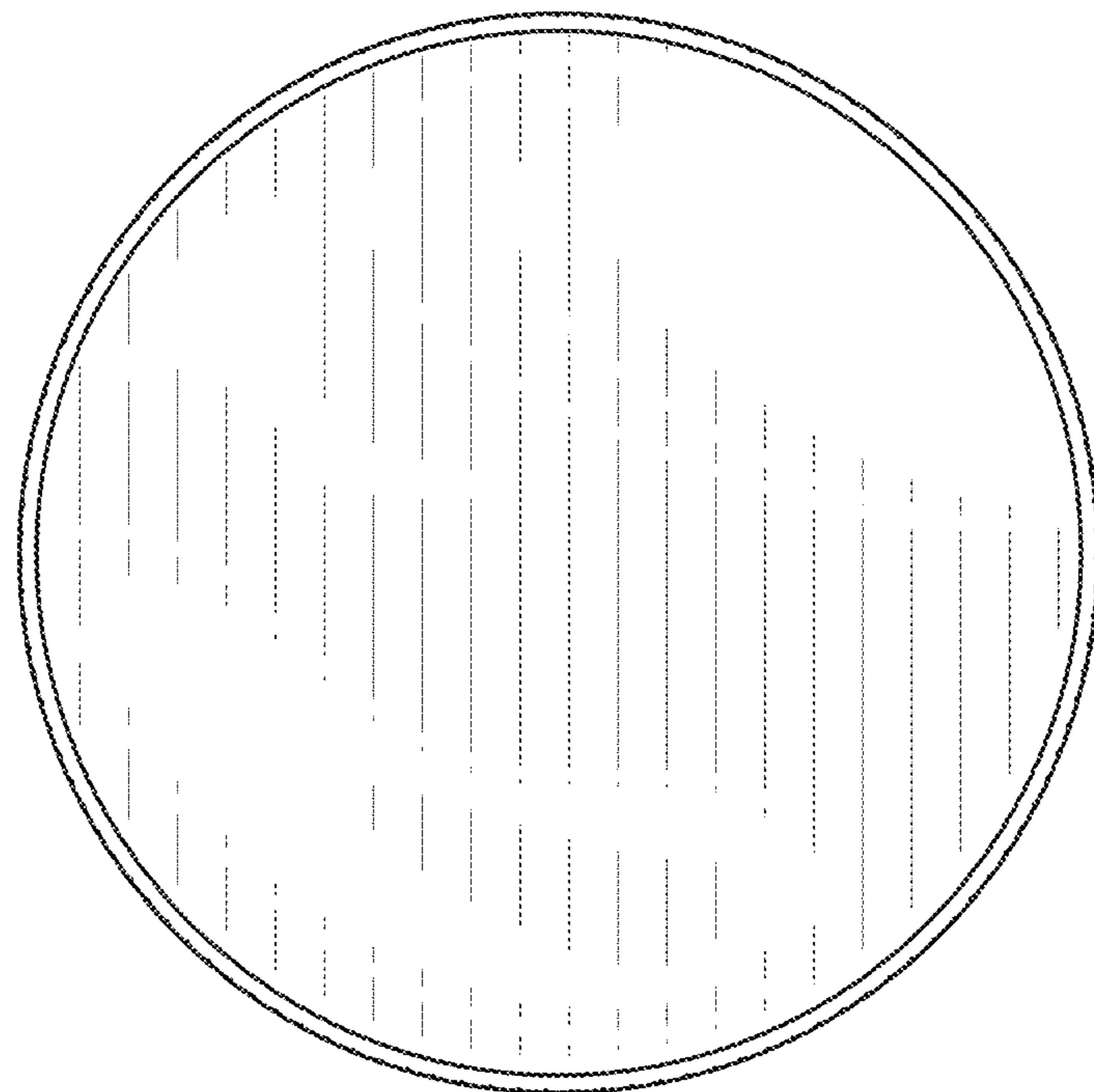


FIG. 4

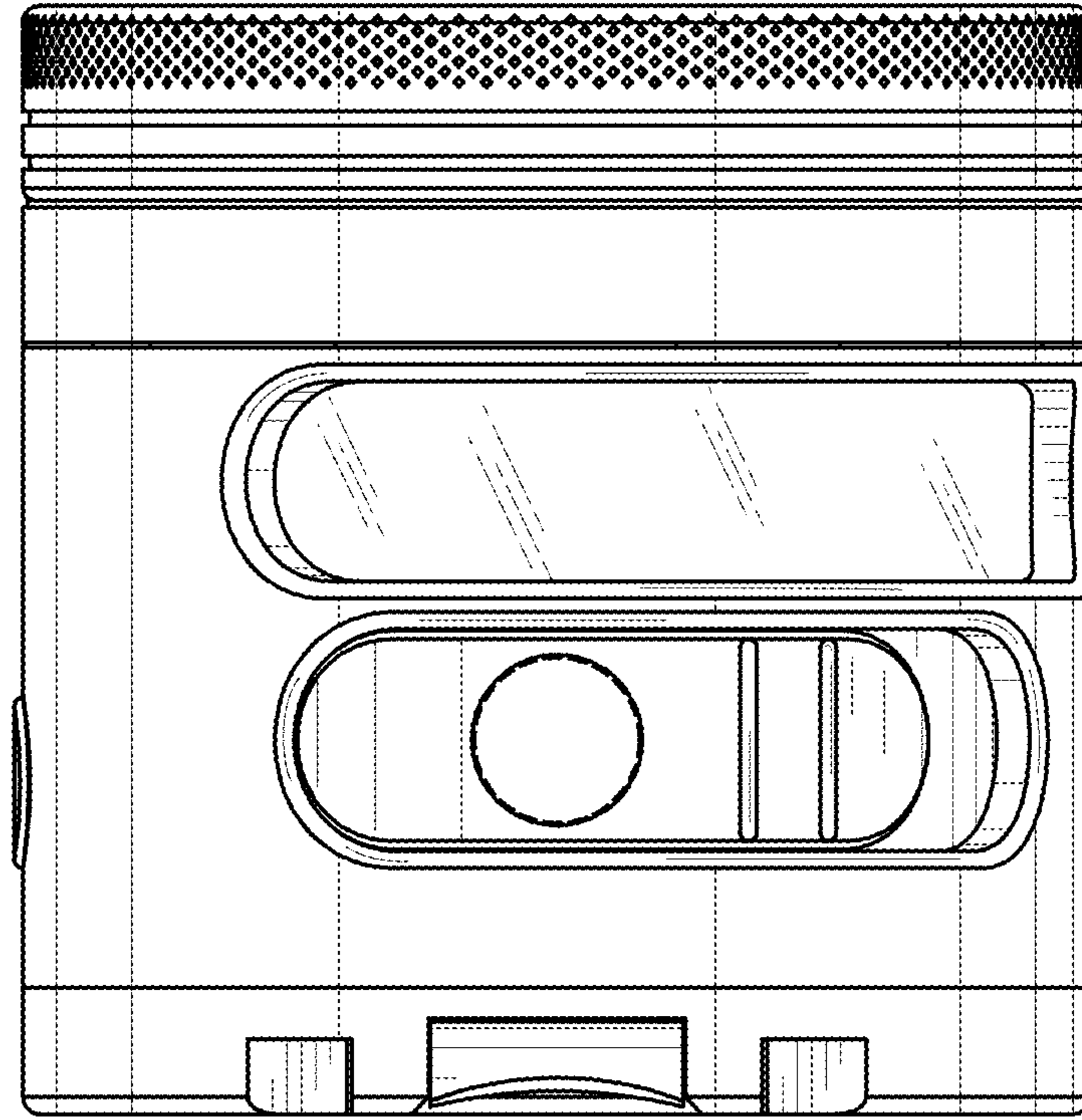


FIG. 5

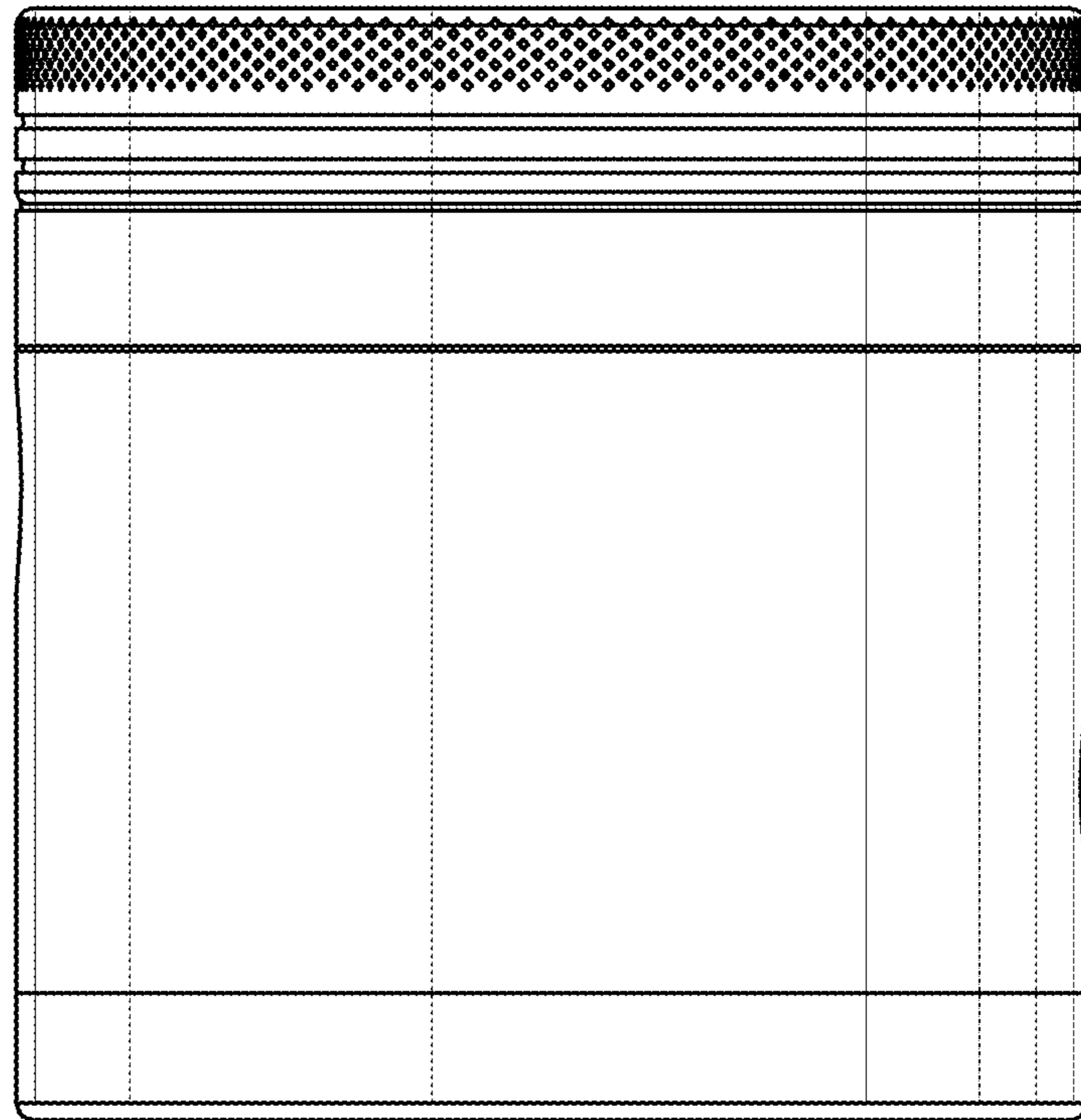


FIG. 6

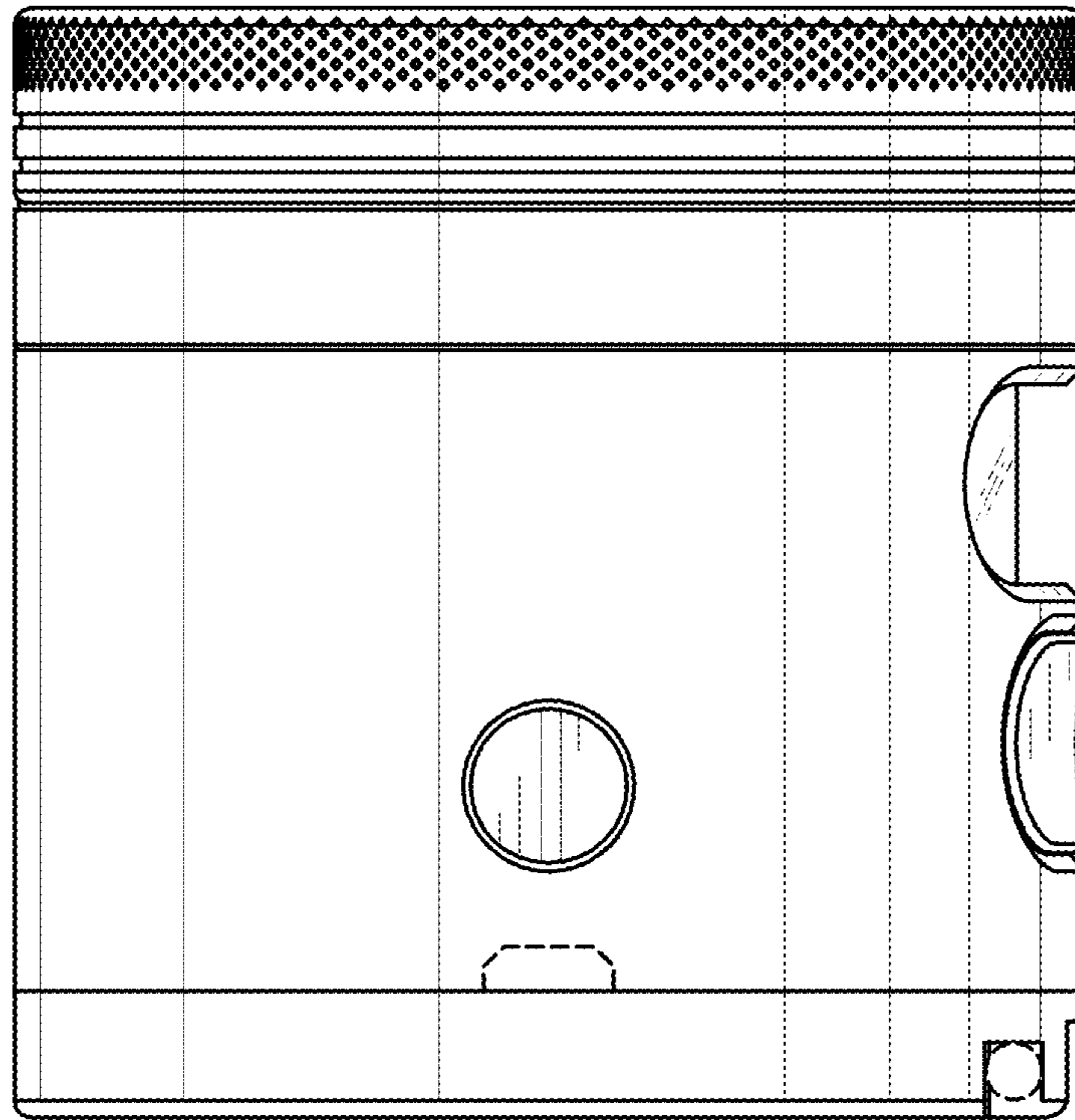


FIG. 7

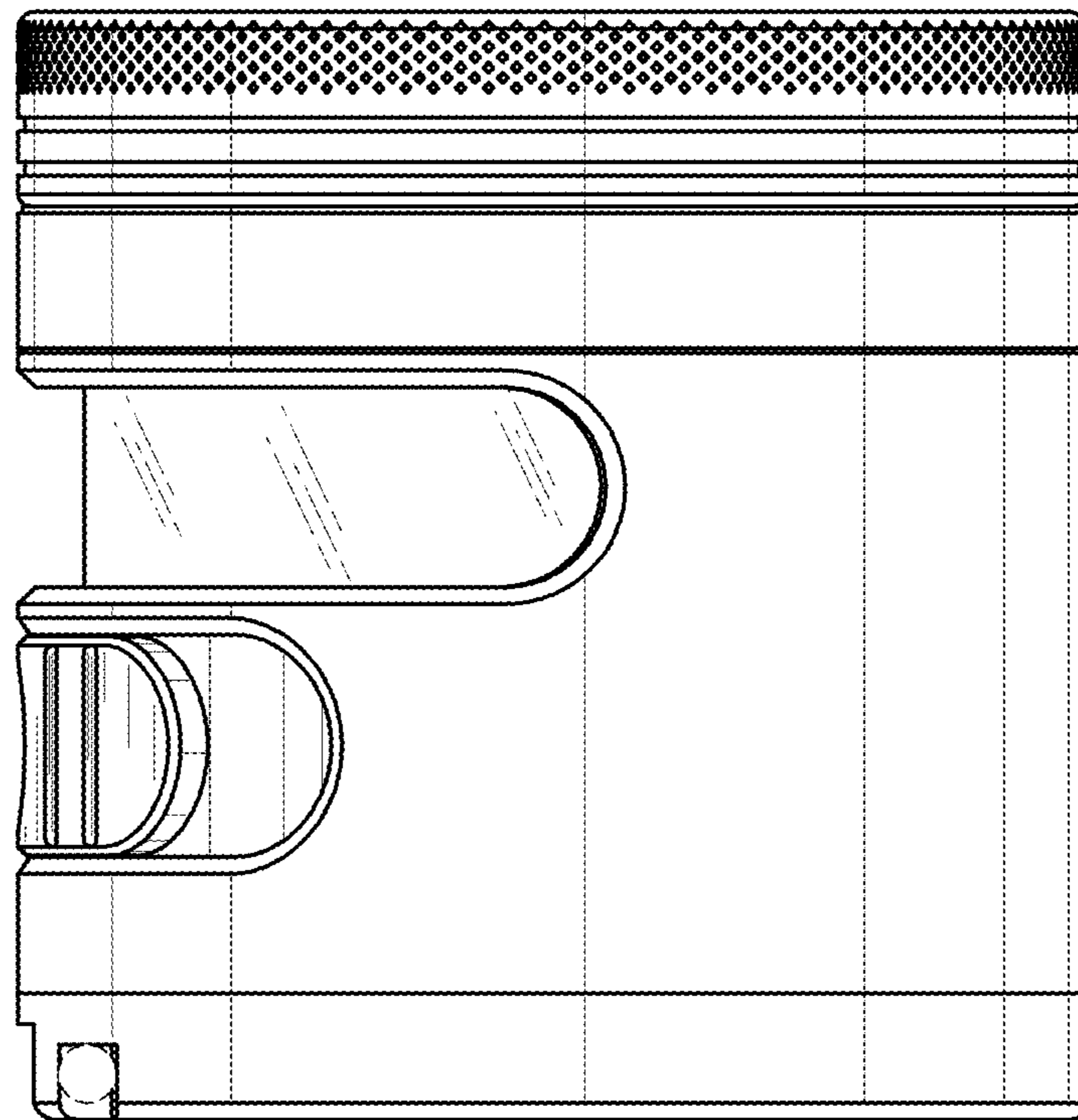


FIG. 8

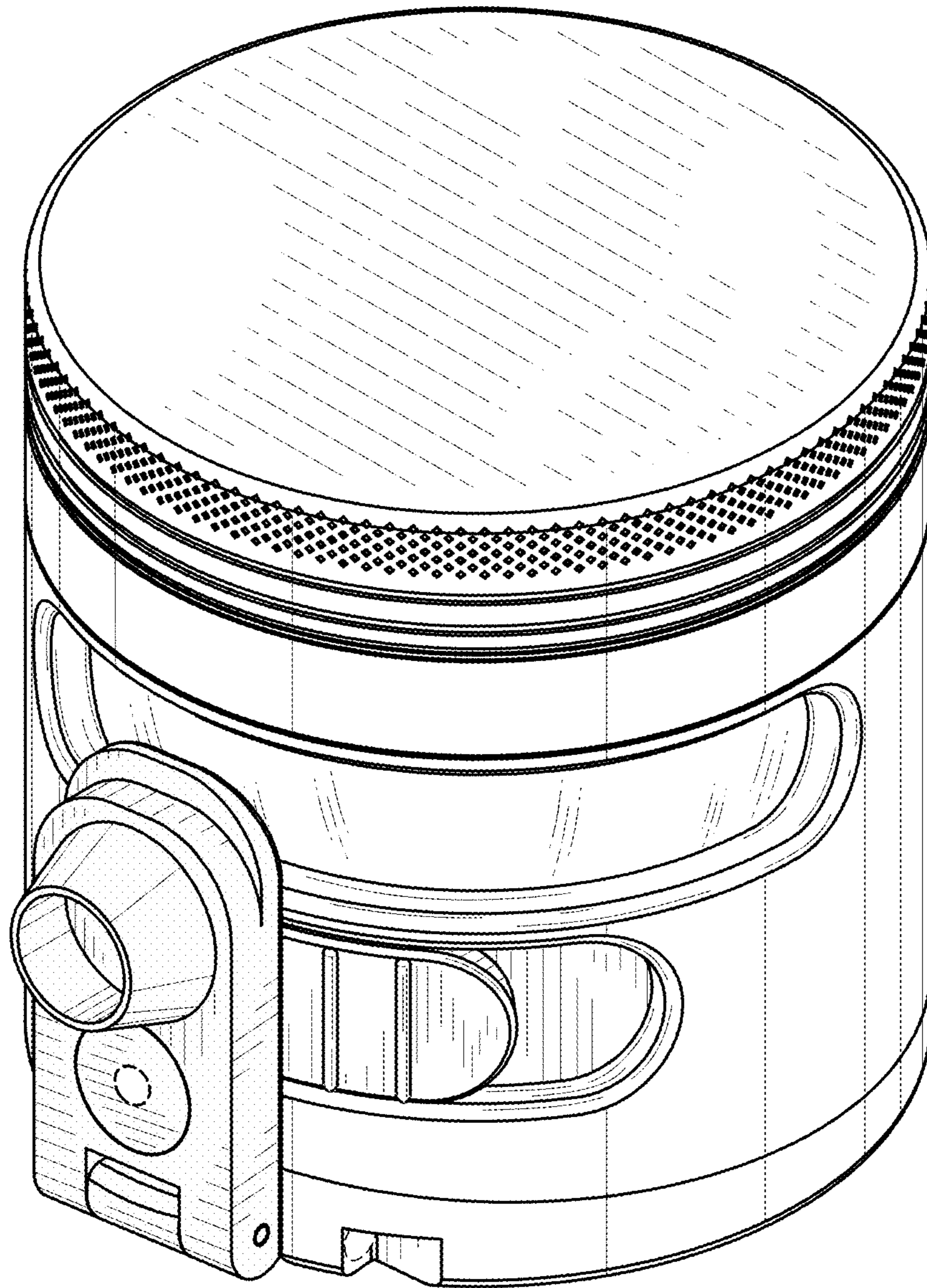


FIG. 9

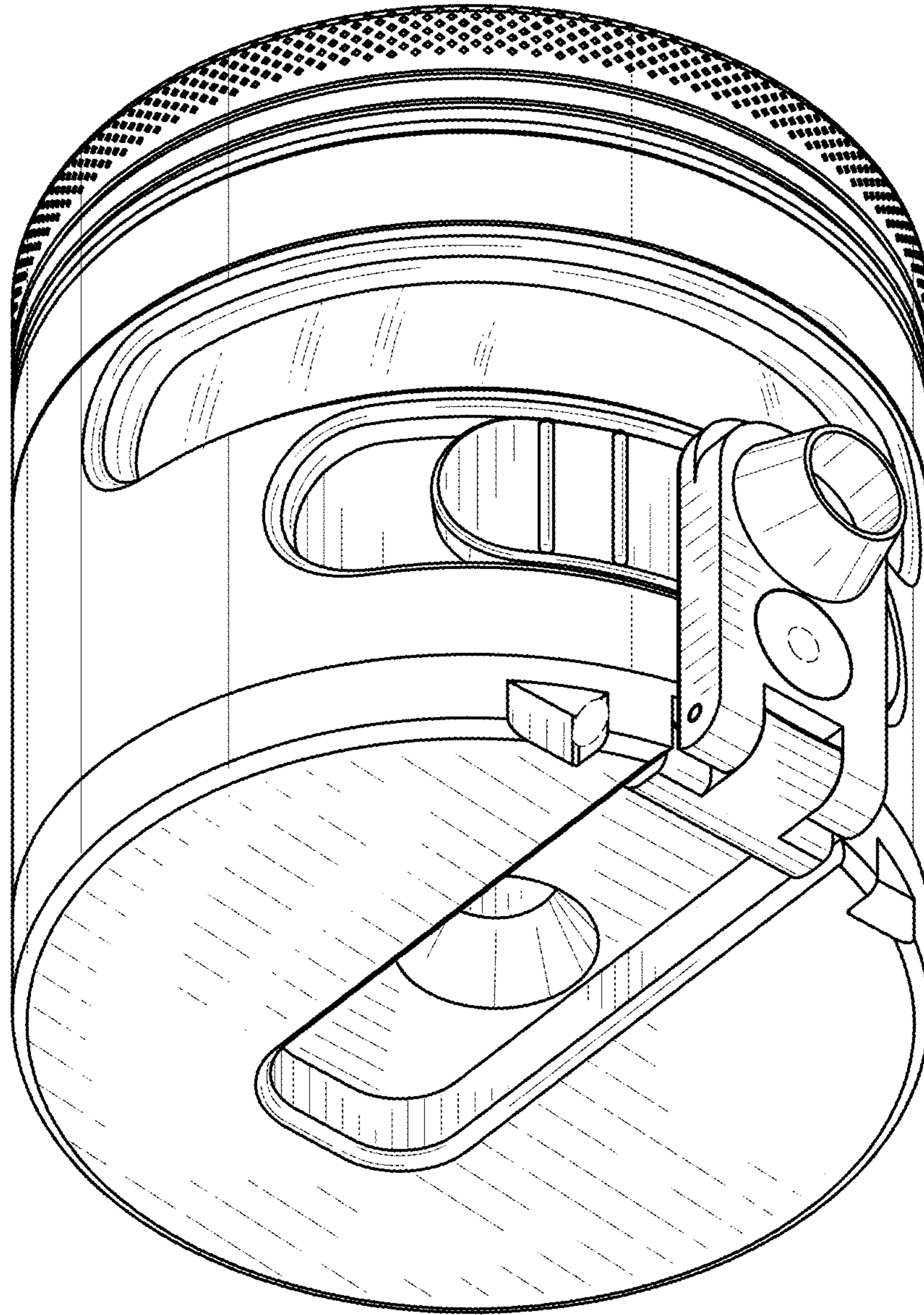


FIG. 10

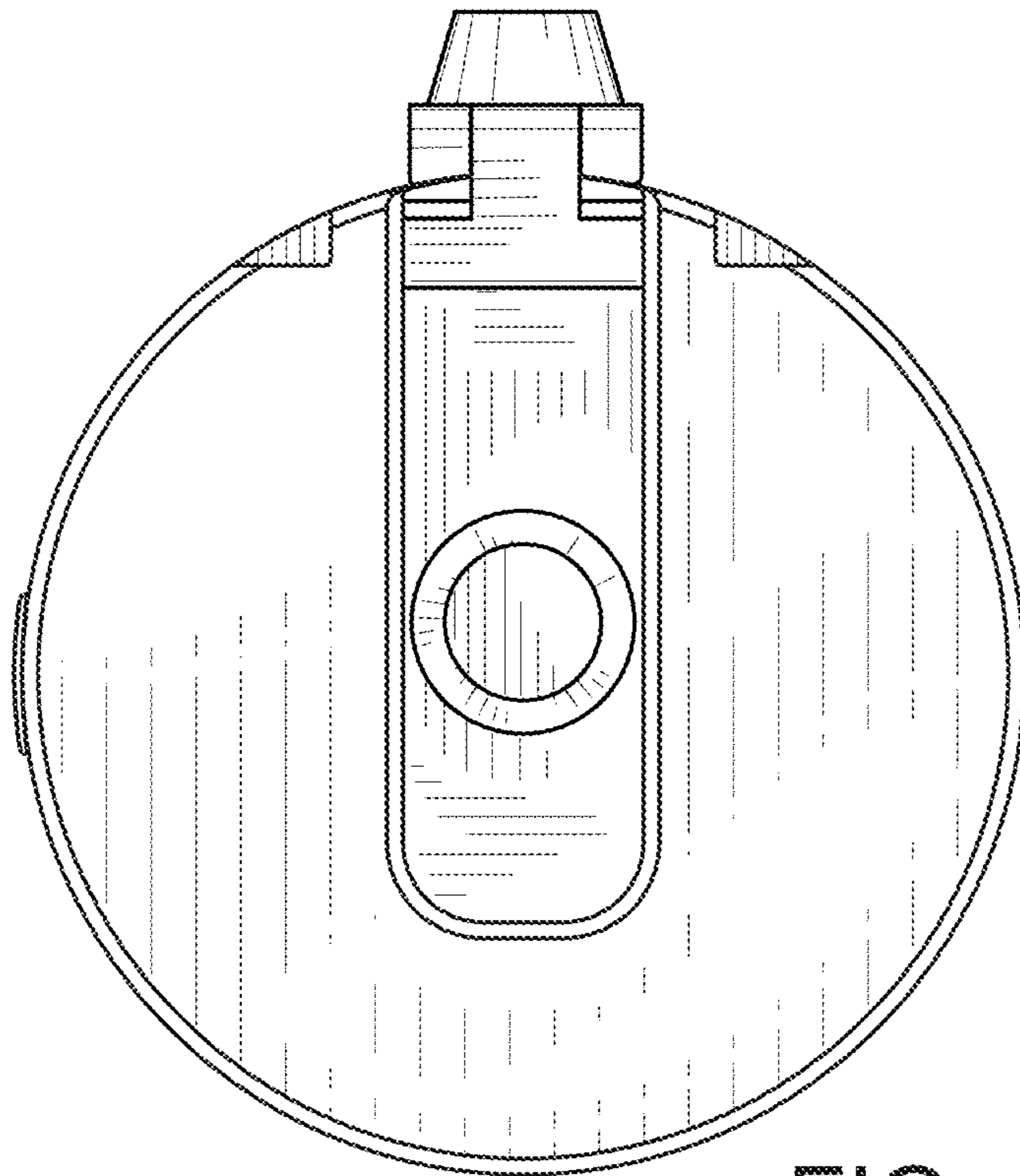


FIG. 11

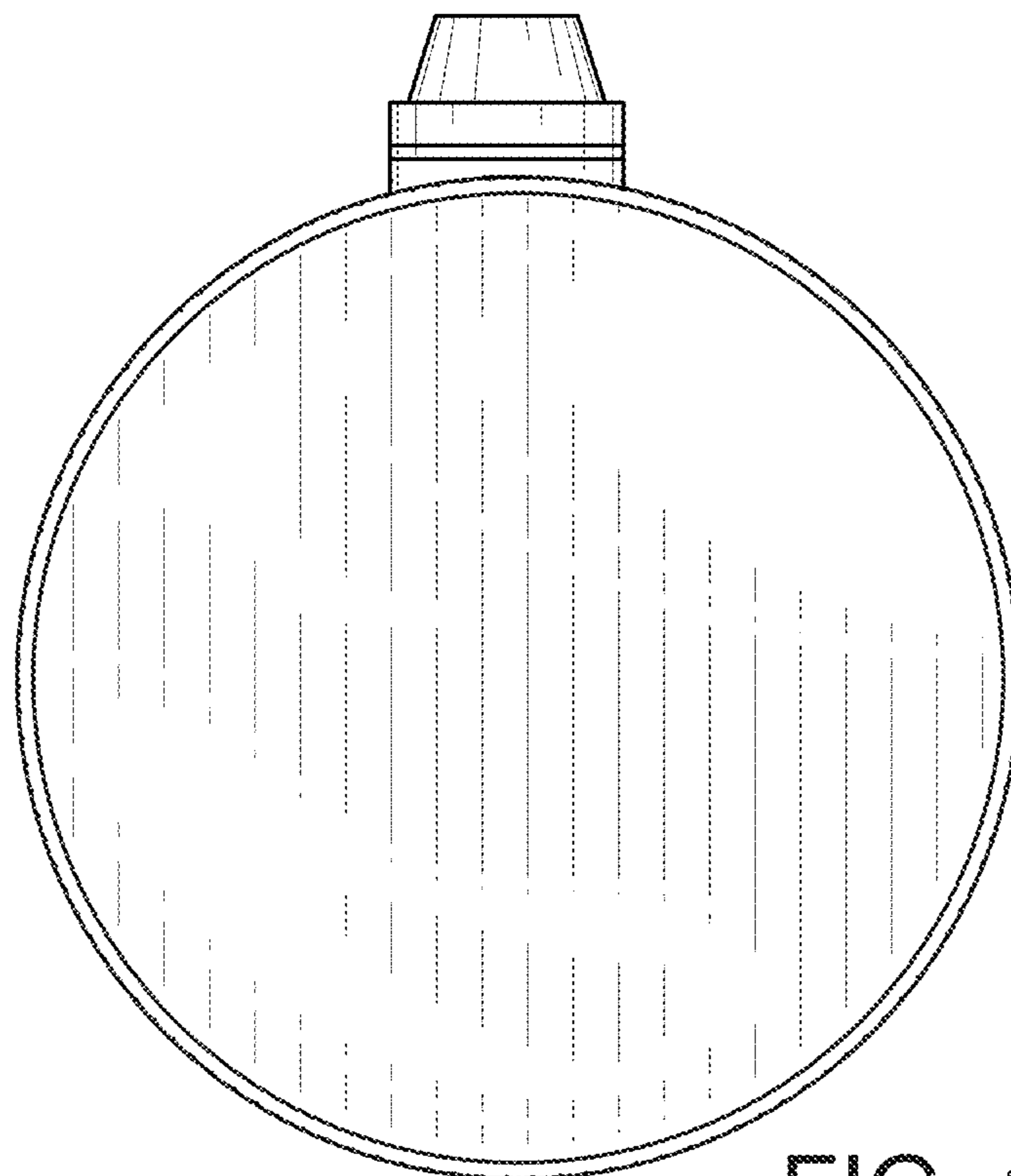


FIG. 12

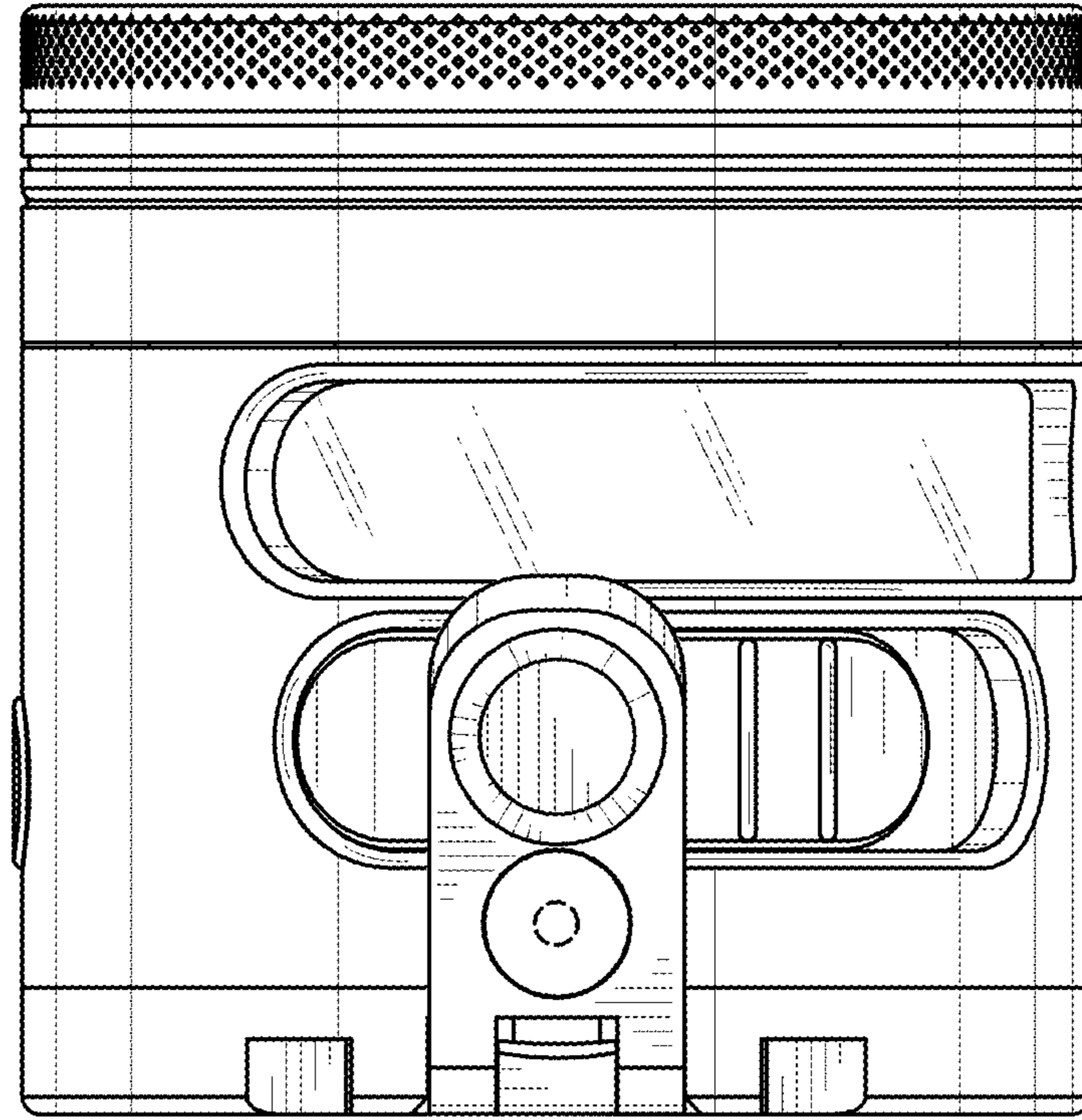


FIG. 13

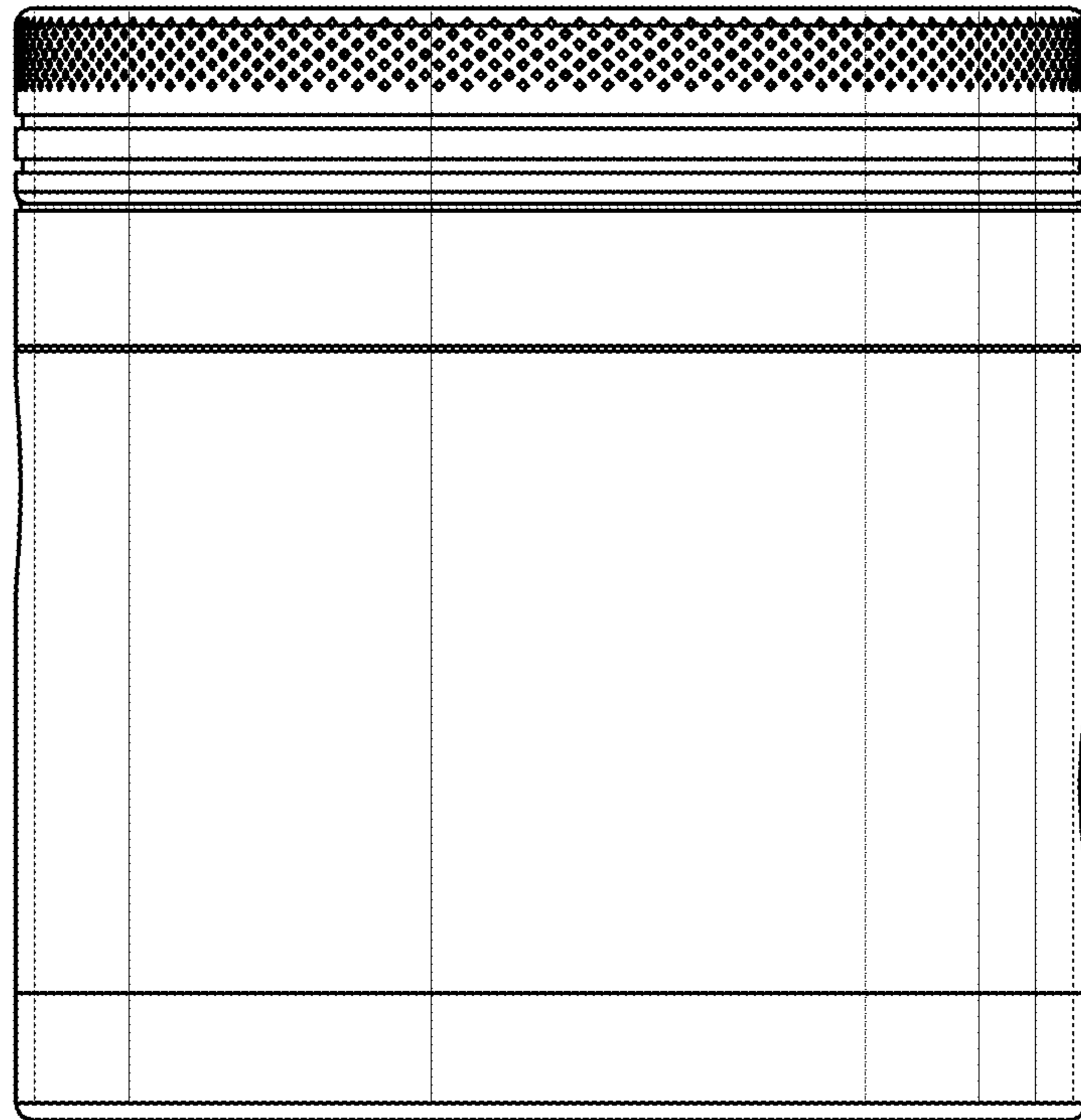


FIG. 14

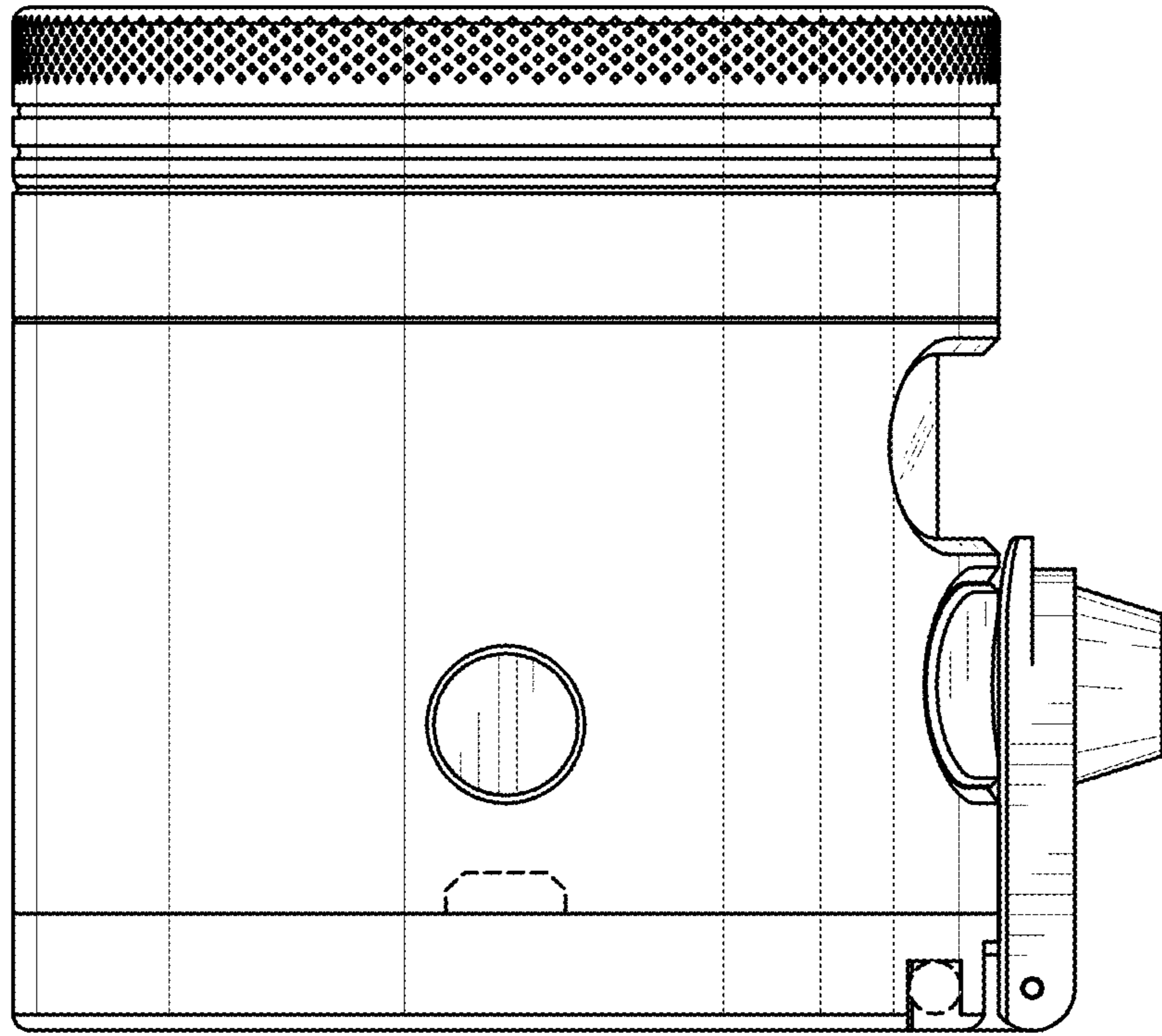


FIG. 15

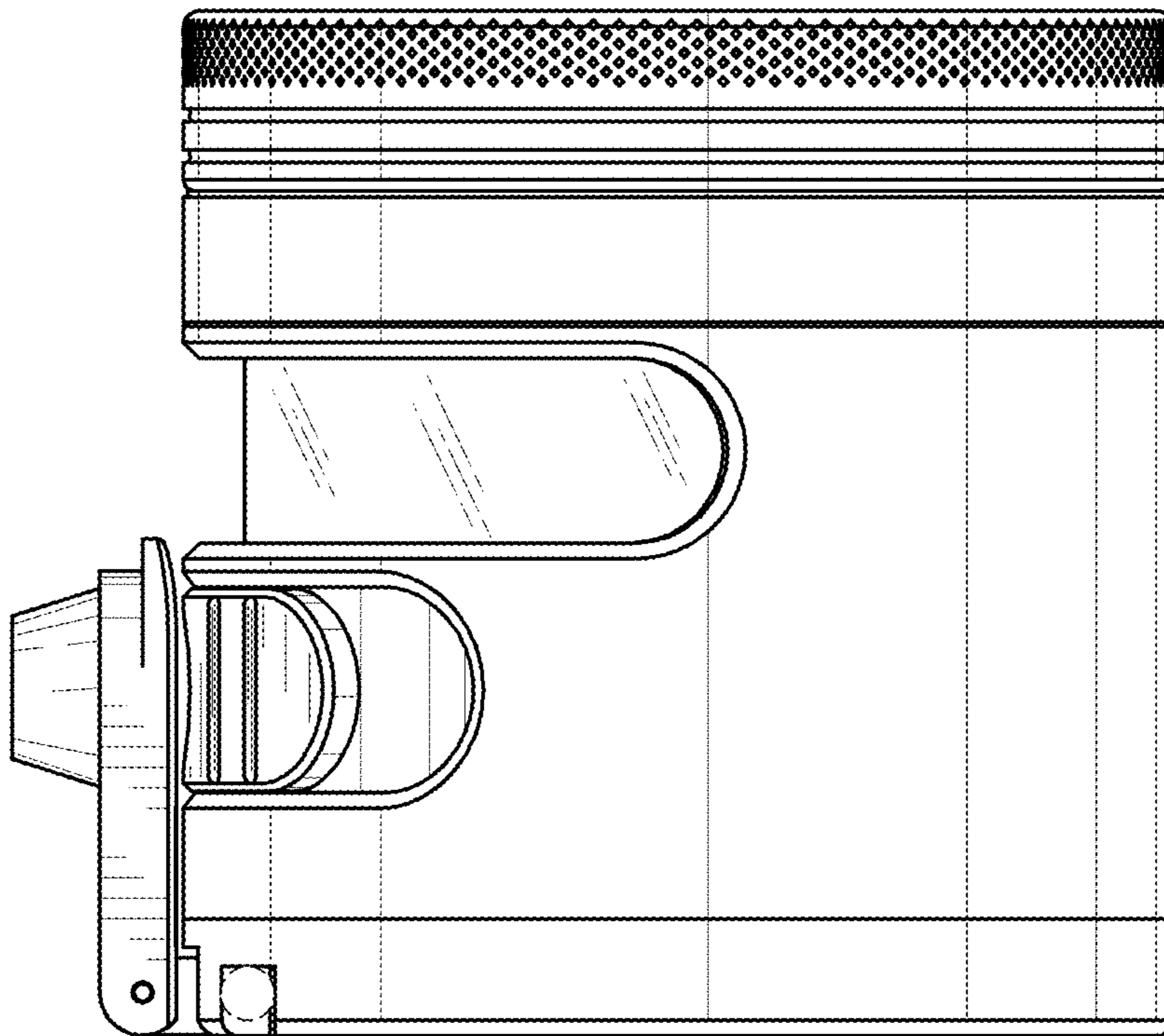


FIG. 16