



US00D924015S

(12) **United States Design Patent** (10) **Patent No.:** **US D924,015 S**
Pu (45) **Date of Patent:** **** Jul. 6, 2021**

(54) **SAUCE INJECTOR SET FOR FOOD**

(71) Applicant: **Lijuan Pu**, Sichuan (CN)

(72) Inventor: **Lijuan Pu**, Sichuan (CN)

(**) Term: **15 Years**

(21) Appl. No.: **29/758,194**

(22) Filed: **Nov. 12, 2020**

(51) **LOC (13) Cl.** **07-99**

(52) **U.S. Cl.**
USPC **D7/669**

(58) **Field of Classification Search**
USPC D7/368, 669; D24/112, 114, 130
CPC .. A47J 43/28; A47J 43/16; A22C 9/00; A22C 9/001; A22C 9/008; A22C 17/0053; A23B 4/28; A23B 4/32; A23L 13/72; A61M 5/3135; A61M 5/3129; A61M 5/315
See application file for complete search history.

(56) **References Cited**

U.S. PATENT DOCUMENTS

- 1,798,116 A * 3/1931 Brockway A61M 5/315
604/220
2,823,675 A * 2/1958 Scirba A61M 5/3135
604/227
D232,296 S * 8/1974 McNair D7/669
4,064,879 A * 12/1977 Leibinsohn A61M 5/486
604/121
4,178,660 A * 12/1979 Olney A22C 17/0053
99/450.8
D263,271 S * 3/1982 Kalb D7/669

- 5,681,279 A * 10/1997 Roper A61D 7/00
604/57
D611,310 S * 3/2010 Eide D7/669
D746,442 S * 12/2015 Wollbold D24/112
D779,894 S 2/2017 Davies

FOREIGN PATENT DOCUMENTS

CN 301652258 S 8/2011

* cited by examiner

Primary Examiner — Terry A Wallace

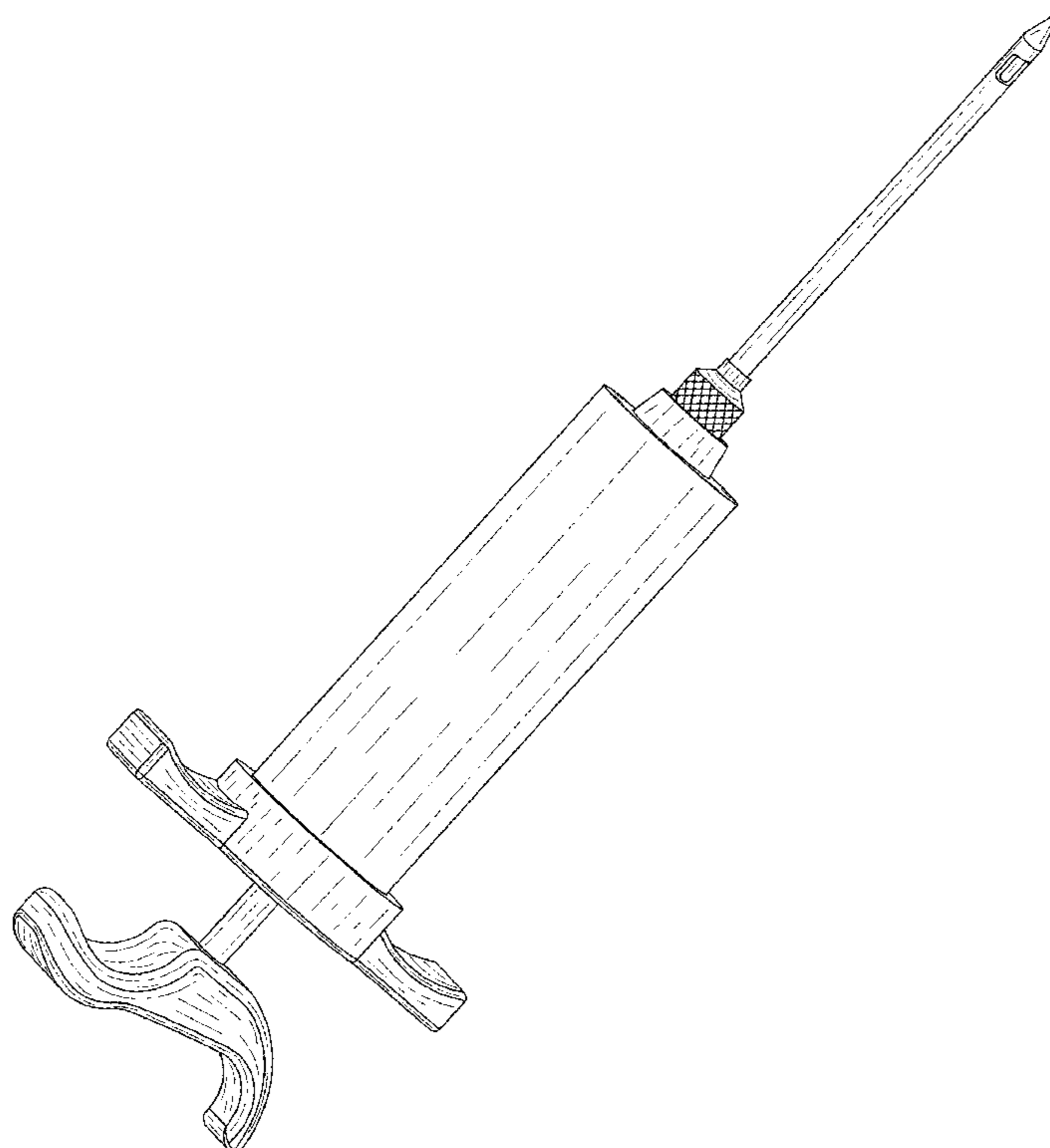
(57) **CLAIM**

The ornamental design for a sauce injector set for food, as shown and described.

DESCRIPTION

FIG. 1 is a perspective view of a sauce injector set for food showing my new design;
 FIG. 2 is an alternative perspective view of the sauce injector set for food with different alternative needles;
 FIG. 3 is an exploded perspective view of the sauce injector set for food with different alternative needles;
 FIG. 4 is an alternative perspective view of the sauce injector set for food without needle;
 FIG. 5 is a front view thereof;
 FIG. 6 is a left side thereof;
 FIG. 7 is a right side thereof;
 FIG. 8 is a top view thereof; and,
 FIG. 9 is a bottom view thereof.
 The injector is shown separately for clarity of illustration.

1 Claim, 9 Drawing Sheets



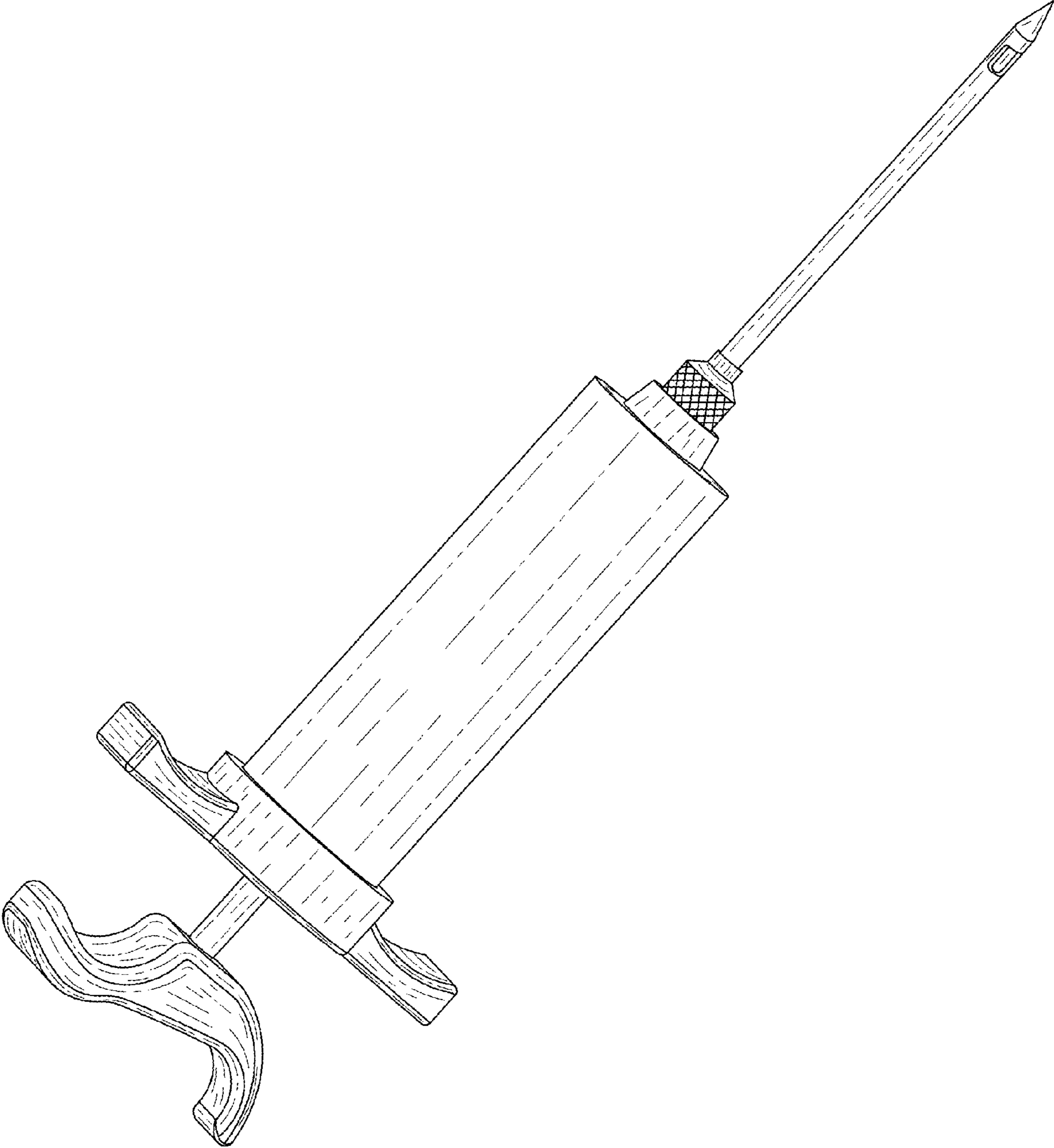


FIG.1

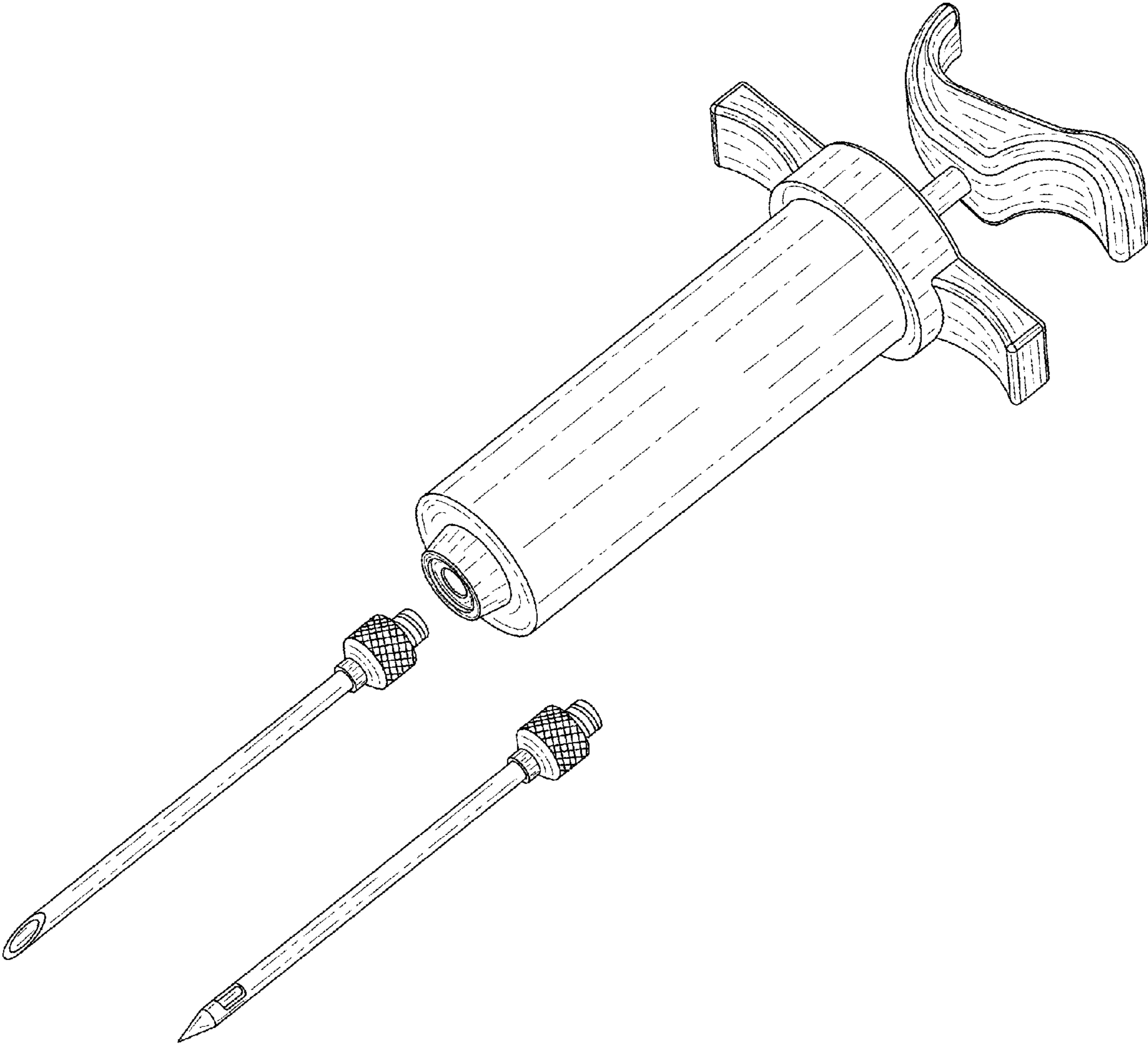


FIG.2

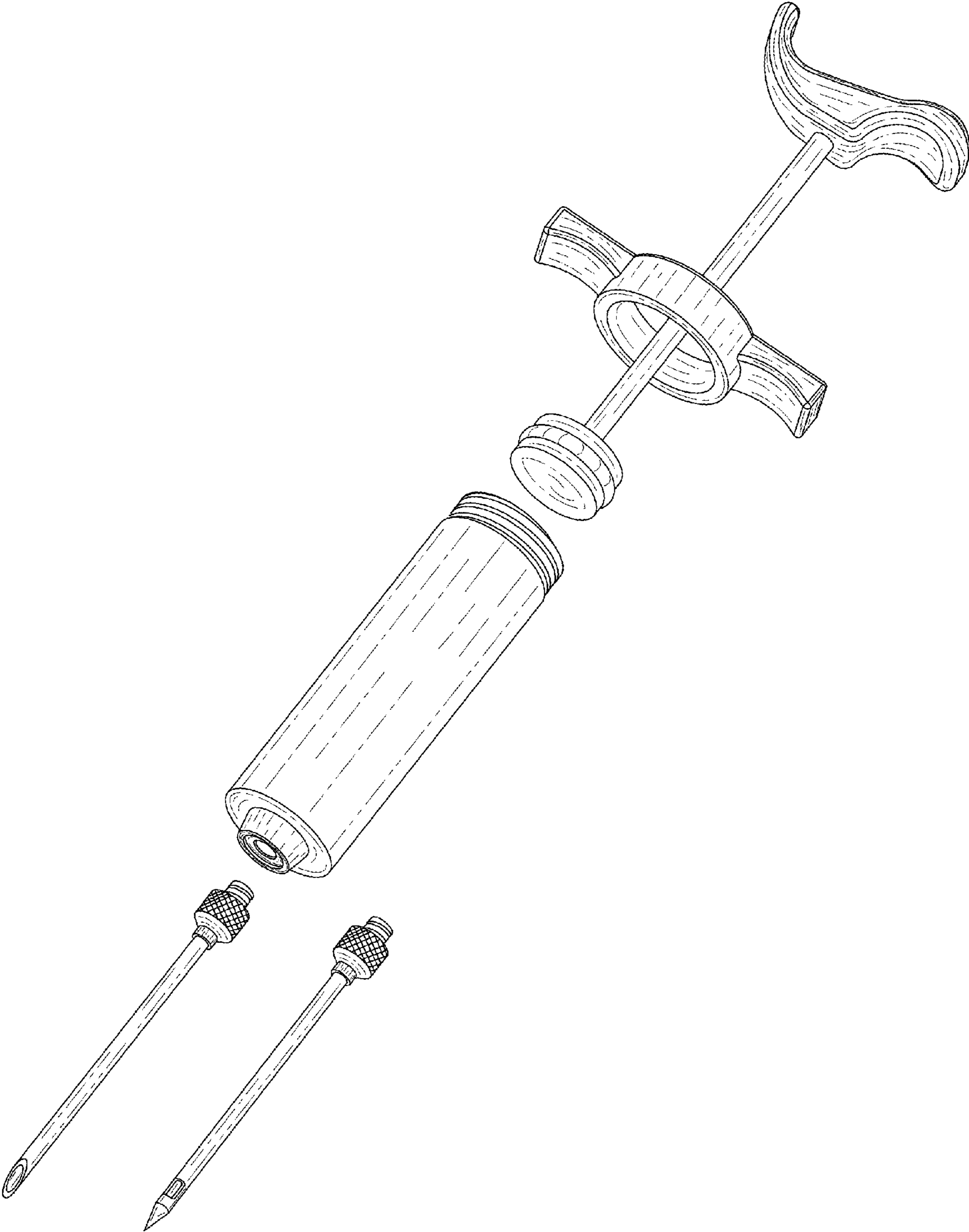


FIG. 3

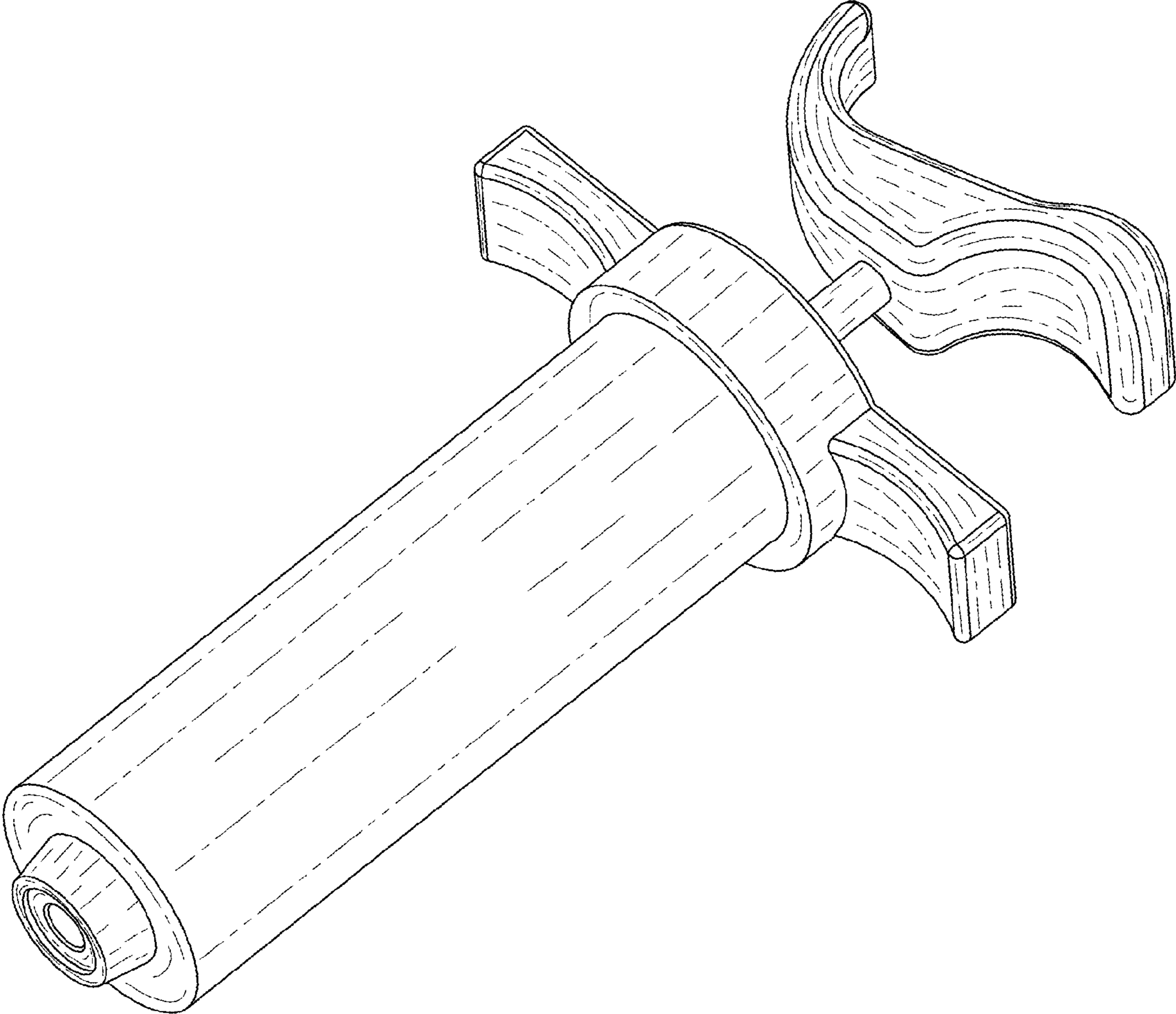


FIG. 4

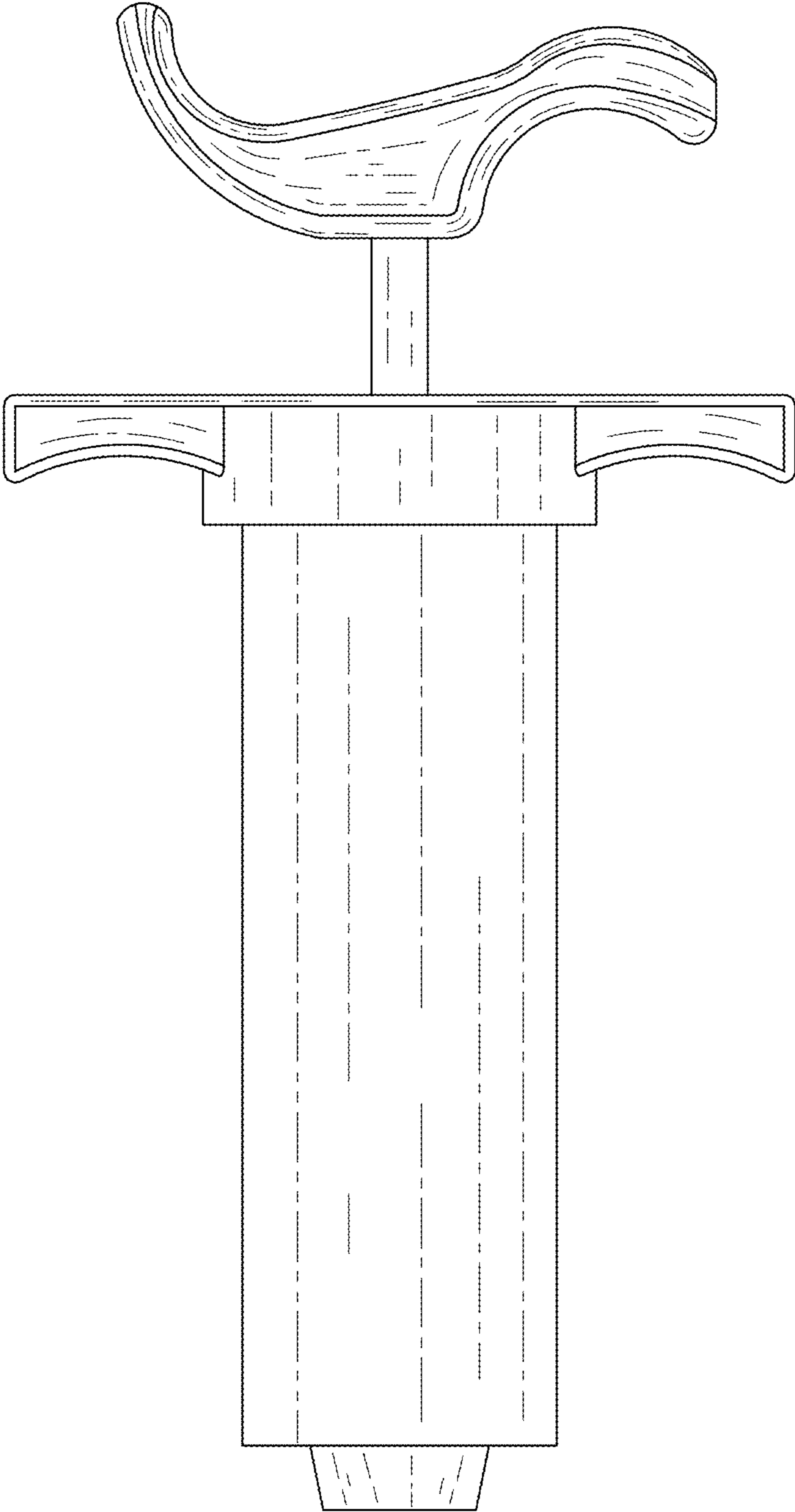


FIG. 5

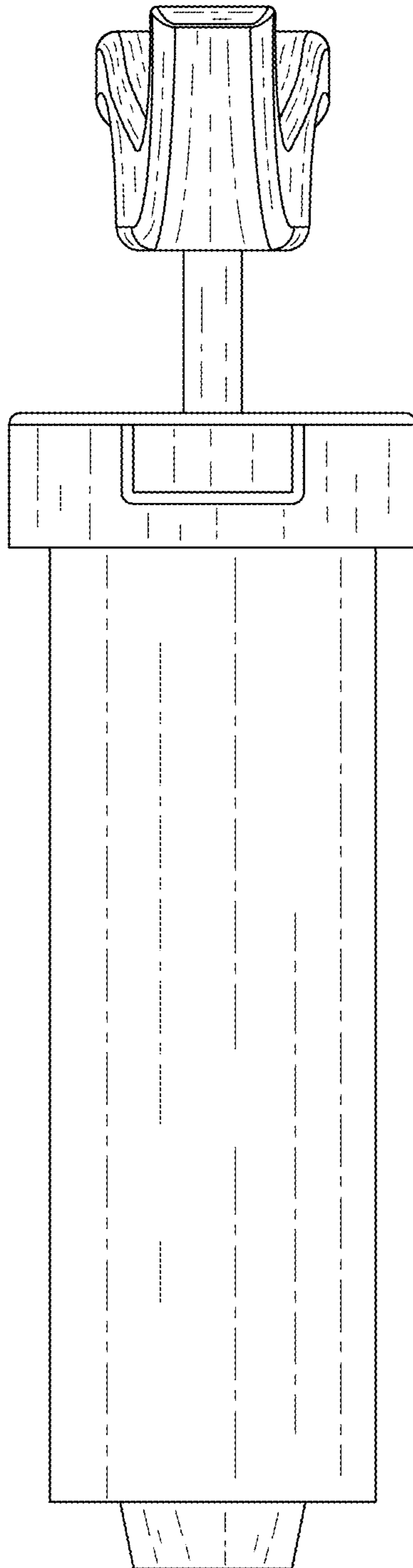


FIG. 6

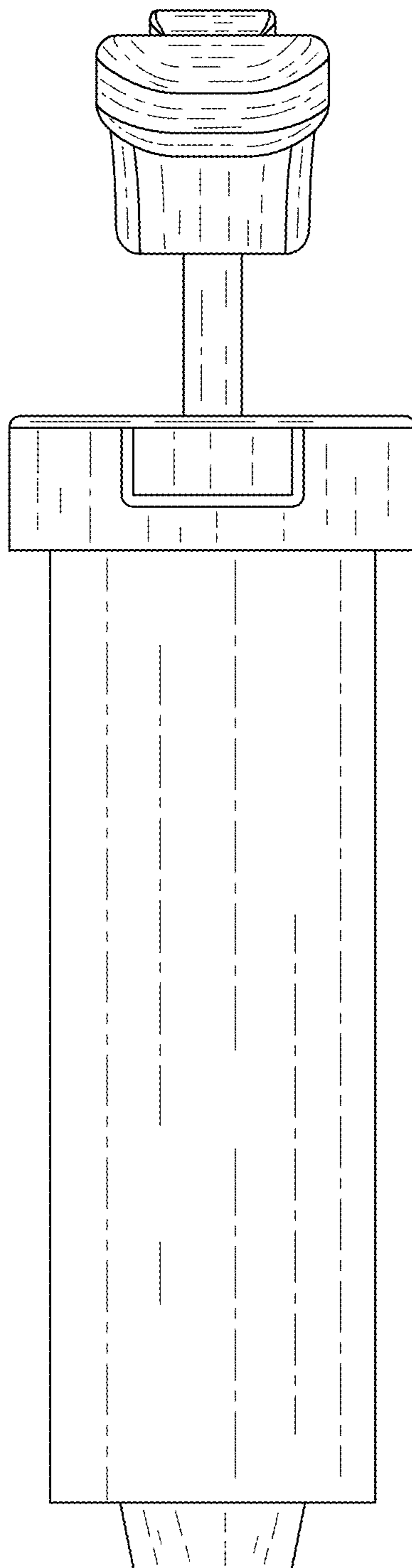


FIG. 7

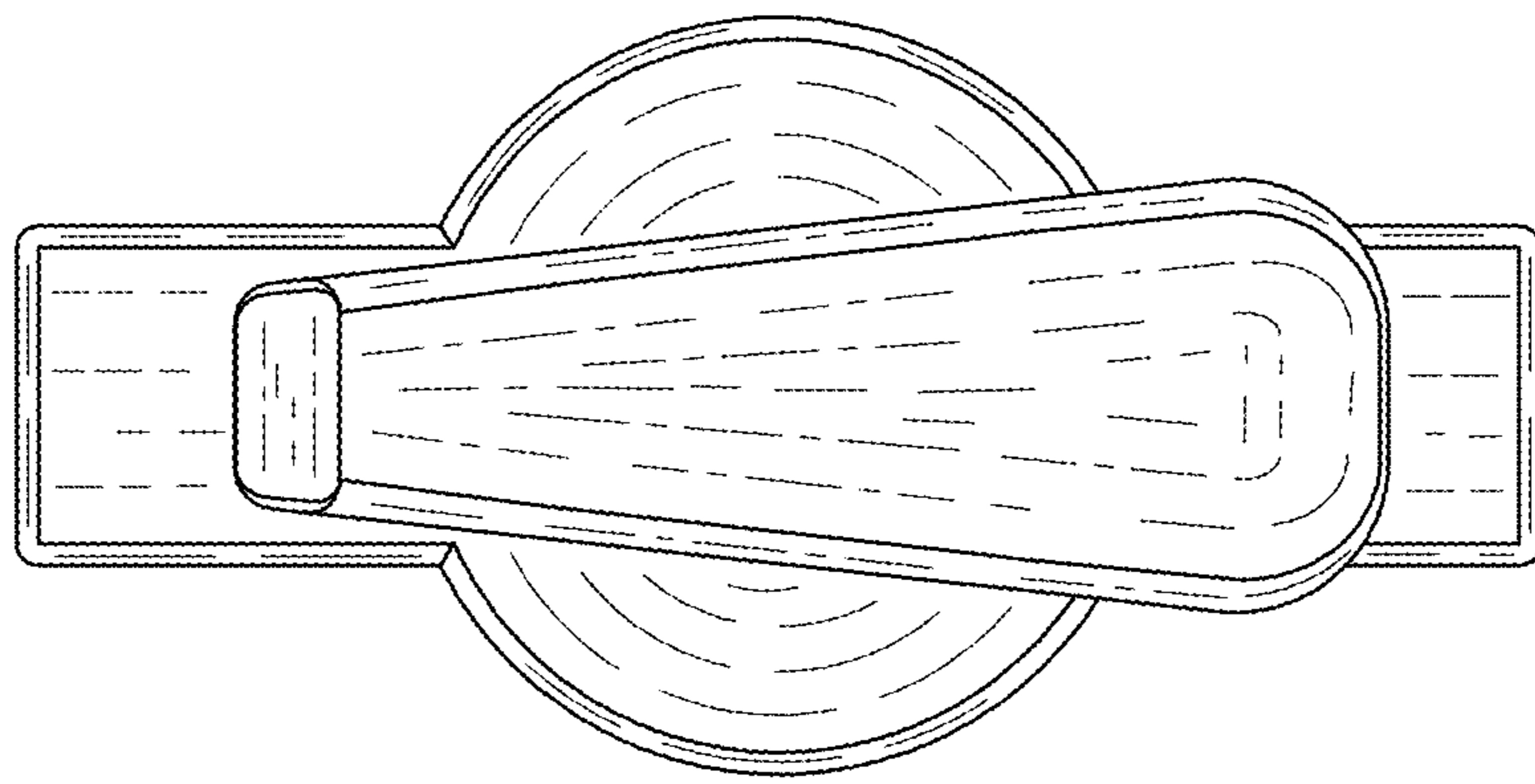


FIG. 8

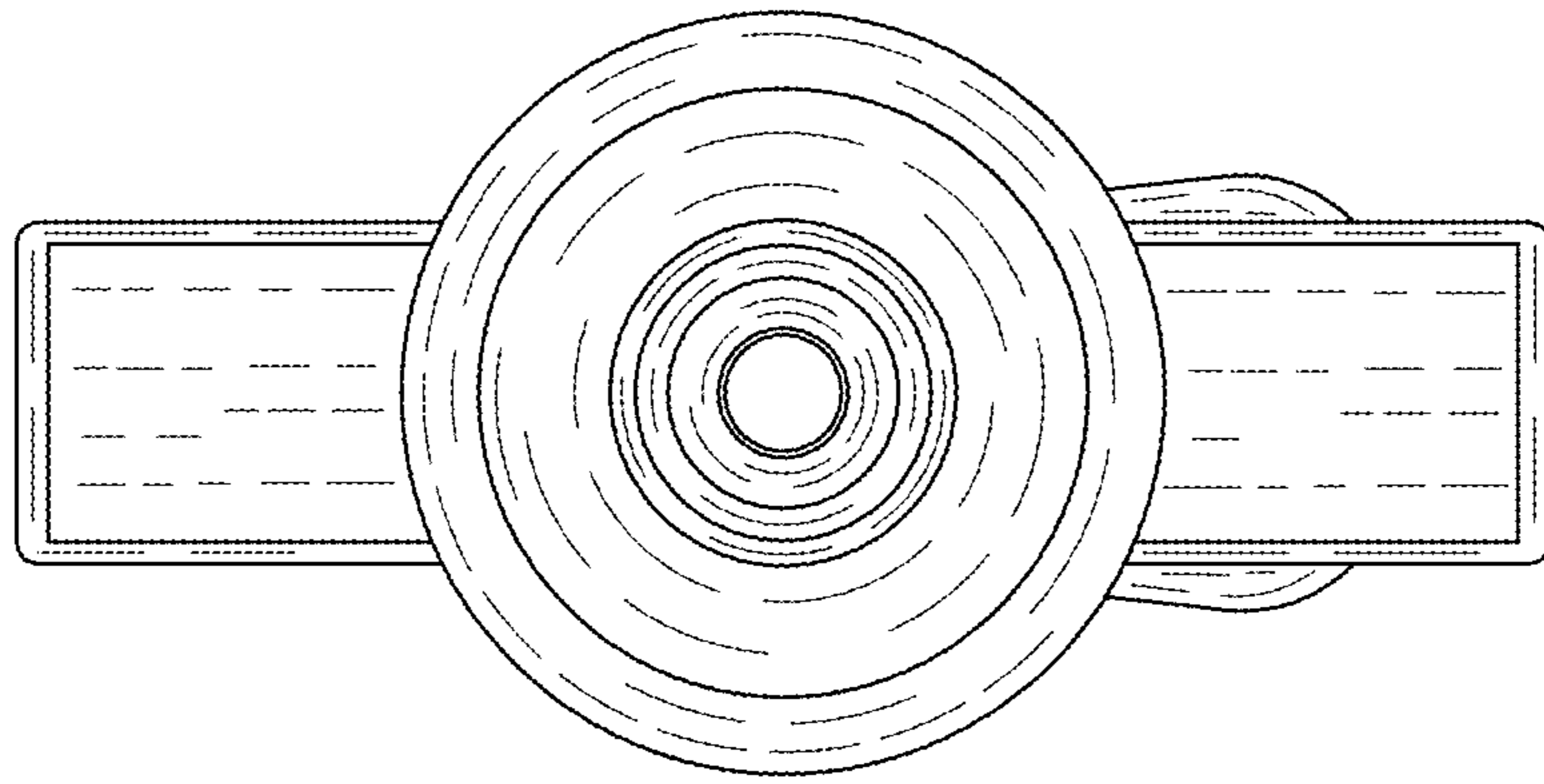


FIG. 9