



US00D924012S

(12) **United States Design Patent** (10) **Patent No.:** **US D924,012 S**
O'Donnell (45) **Date of Patent:** **** Jul. 6, 2021**

(54) **ILLUMINATED BOTTLE HOLDER**

(71) Applicant: **Daniel J. O'Donnell**, Winston-Salem, NC (US)

(72) Inventor: **Daniel J. O'Donnell**, Winston-Salem, NC (US)

(73) Assignee: **Winter Park Trading, Inc.**, Winter Park, FL (US)

(**) Term: **15 Years**

(21) Appl. No.: **29/699,915**

(22) Filed: **Jul. 30, 2019**

(51) **LOC (13) Cl.** **07-06**

(52) **U.S. Cl.**
USPC **D7/600.1**

(58) **Field of Classification Search**

USPC D6/553, 525, 534-535, 537, 546, 556, D6/566, 677.2, 567, 545; D3/306, 215, D3/229; D7/593-596, 600.1-600.2, 602, D7/630-632, 635, 640, 704-705, 707, D7/620, 622; D9/455, 681, 738-739, D9/747, 751, 758; 206/8, 202, 513, 146; 211/30, 106, 106.01, 181.1, 74, 75; 119/477; 215/370, 395; 220/751; 248/102; D8/354; D12/411; D24/128; D30/133; D32/54
 CPC .. A47F 5/01; A47F 5/02; A47F 7/0064; A47L 19/04; F16M 11/00; A47K 3/281; A47K 1/09; A47B 55/02; A47G 21/001

See application file for complete search history.

(56) **References Cited**

U.S. PATENT DOCUMENTS

5,456,432 A *	10/1995	Ennis	A61J 9/0638 248/102
D423,774 S *	5/2000	Peterson	D3/229
D498,357 S *	11/2004	Smith	D3/215
D637,457 S *	5/2011	Thompson	D7/600.1
D650,692 S *	12/2011	Miller	D7/620
D766,617 S *	9/2016	Hochman	D6/553
D799,693 S *	10/2017	Mueller	D24/128
D803,552 S *	11/2017	Stoops	D3/218
D846,300 S *	4/2019	Morales	D6/545

* cited by examiner

Primary Examiner — Mark Booker

(74) *Attorney, Agent, or Firm* — Tuggle Duggins P.A.;
Blake P. Hurt

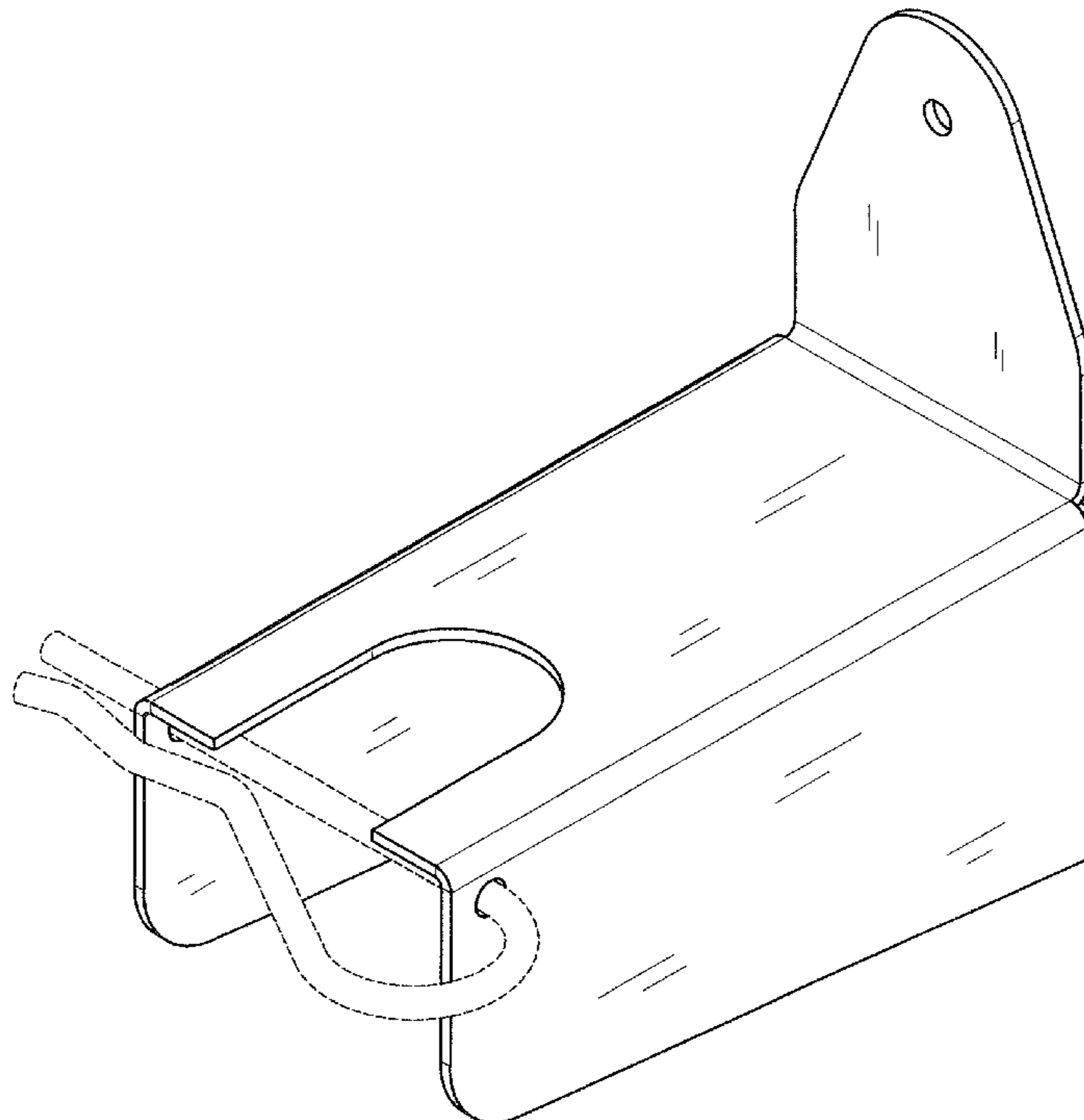
(57) **CLAIM**

The ornamental design for an illuminated bottle holder, as shown and described.

DESCRIPTION

FIG. 1 is a top, front, right side perspective view of an illuminated bottle holder showing my new design;
 FIG. 2 is a bottom, rear, left side perspective view thereof;
 FIG. 3 is a front elevational view thereof;
 FIG. 4 is a rear elevational view thereof;
 FIG. 5 is a top plan view thereof;
 FIG. 6 is a bottom plan view thereof;
 FIG. 7 is a right side elevational view thereof; and,
 FIG. 8 is a left side elevational view thereof.
 The broken lines illustrate portions of the illuminated bottle holder that form no part of the claimed design.

1 Claim, 8 Drawing Sheets



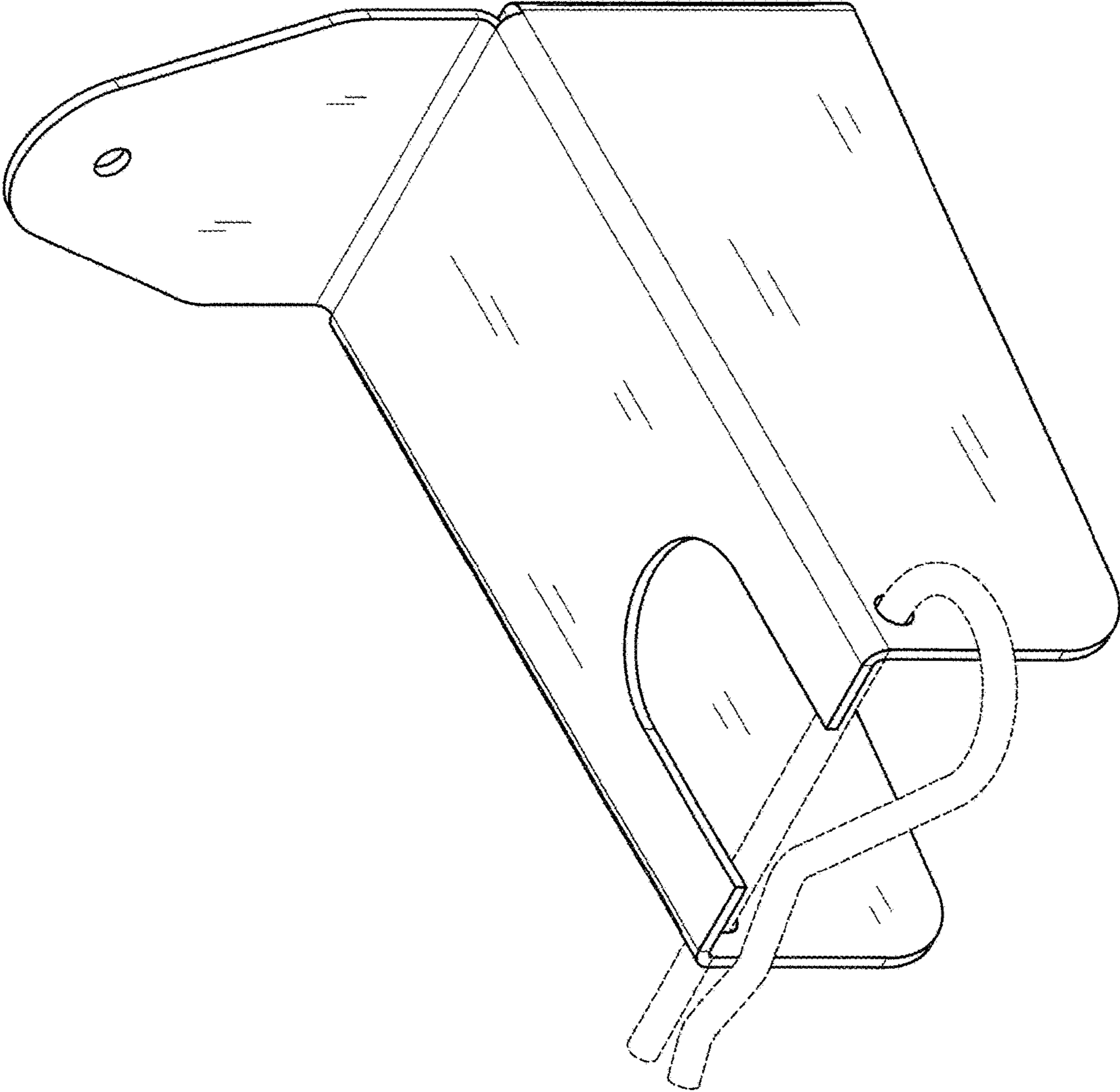


FIG. 1

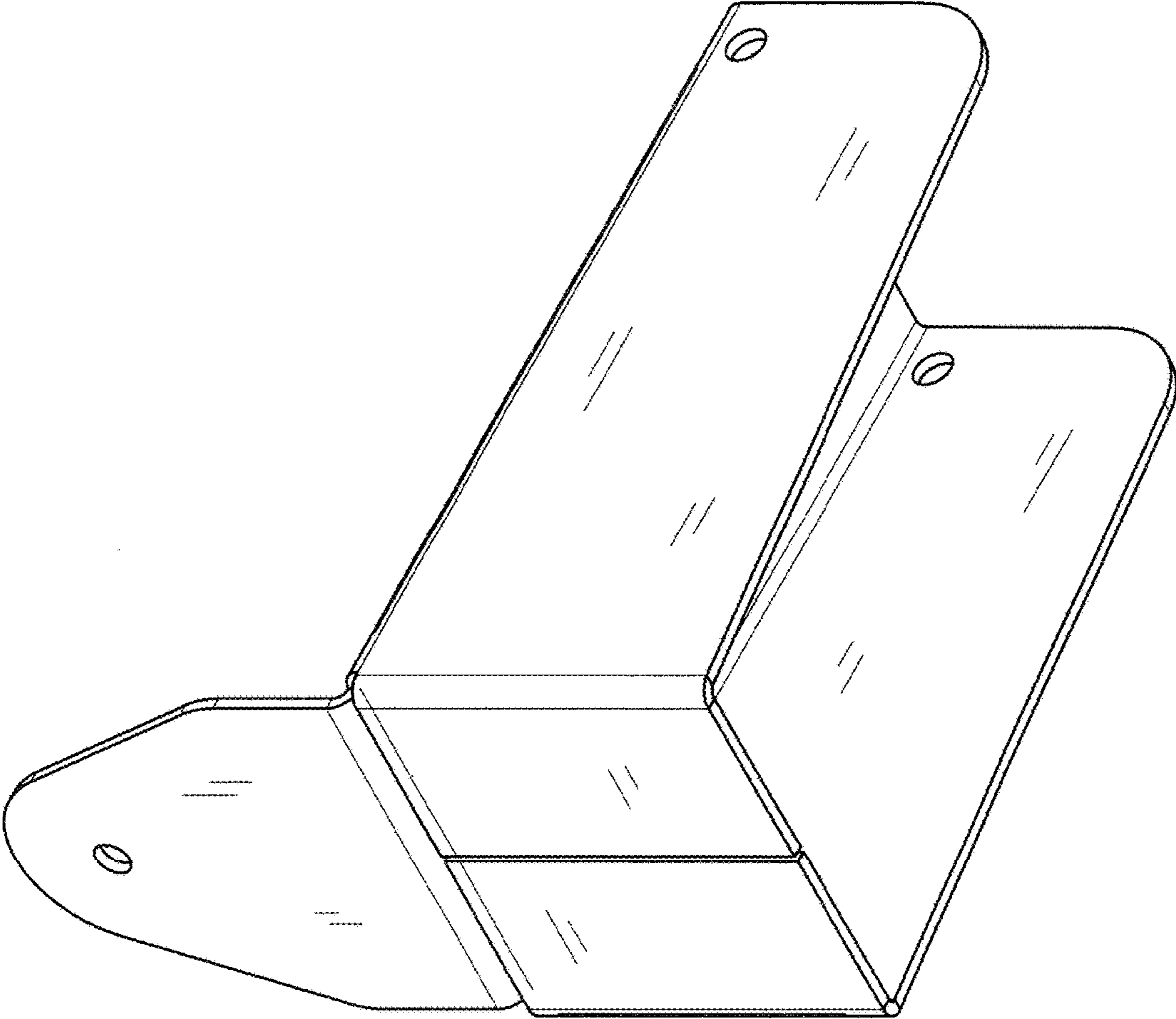


FIG. 2

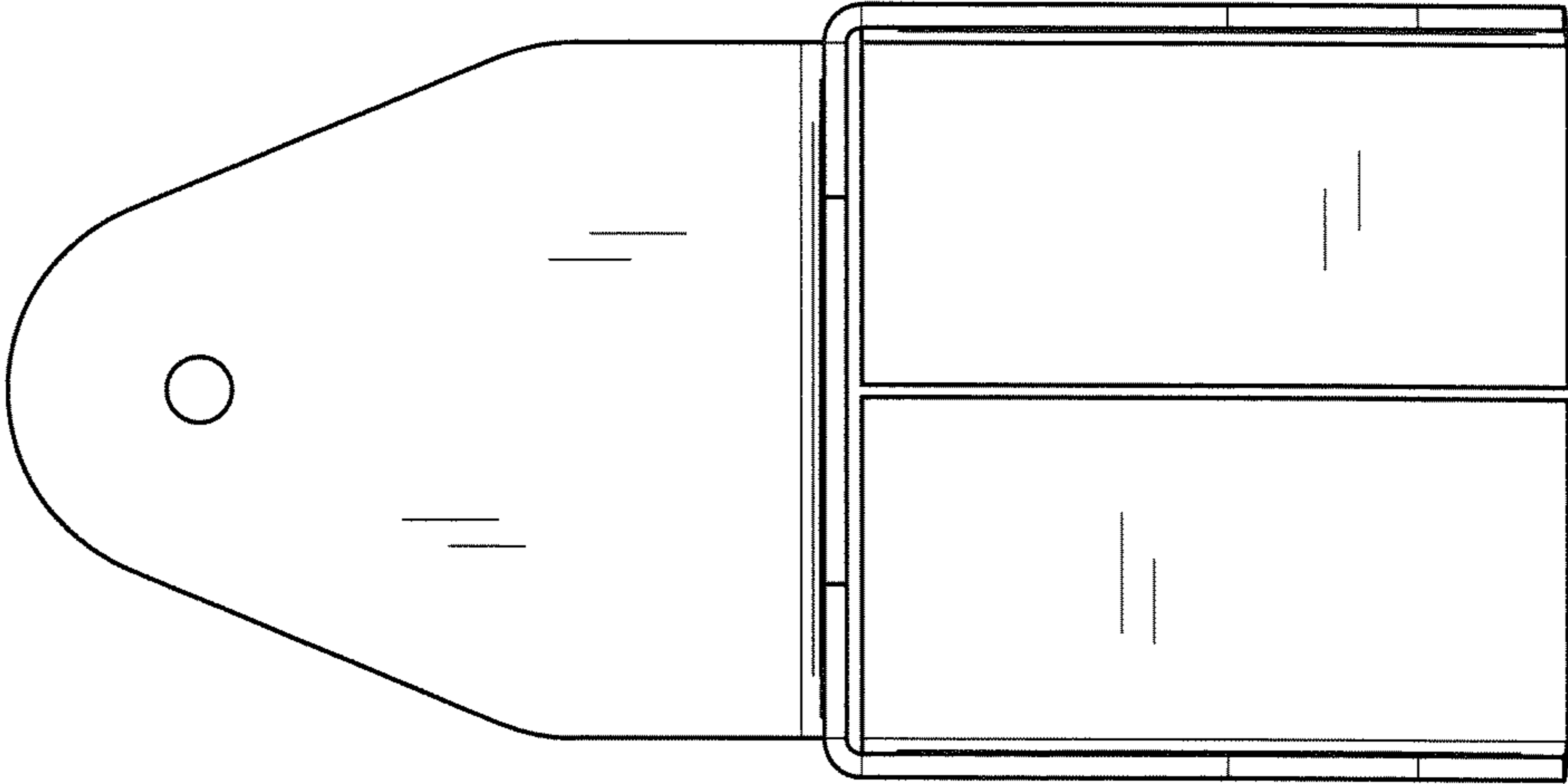


FIG. 3

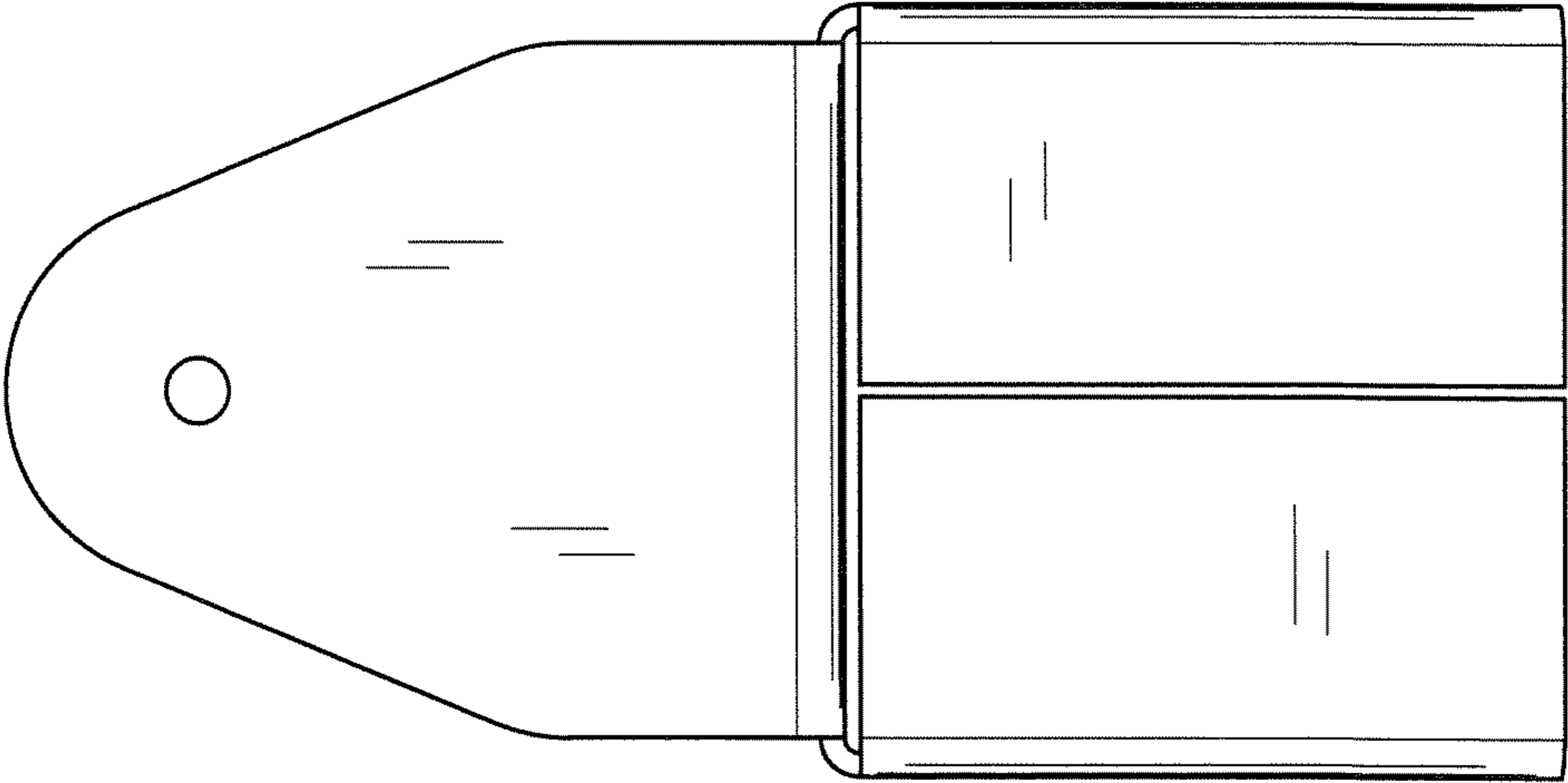


FIG. 4

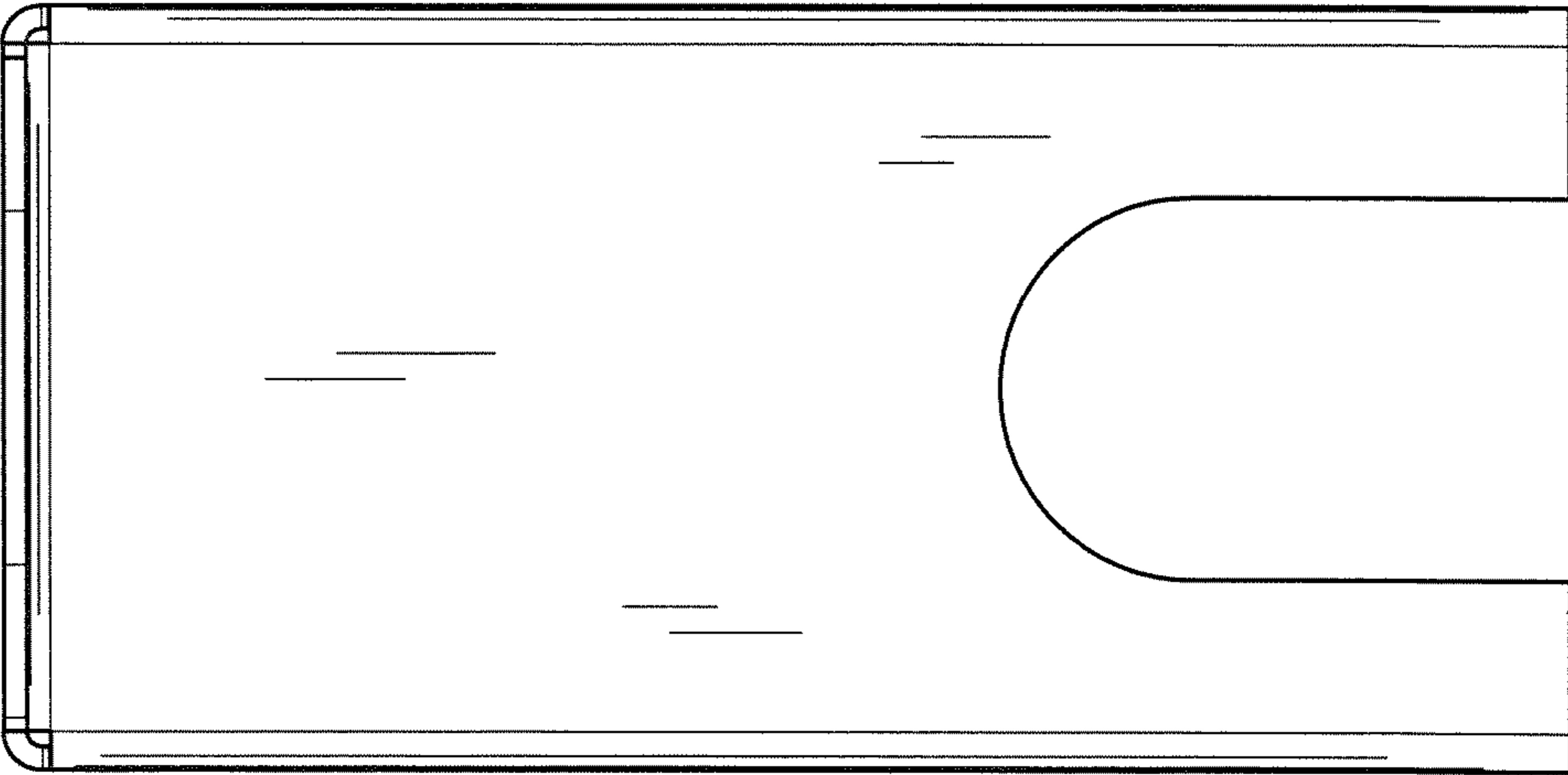


FIG. 5

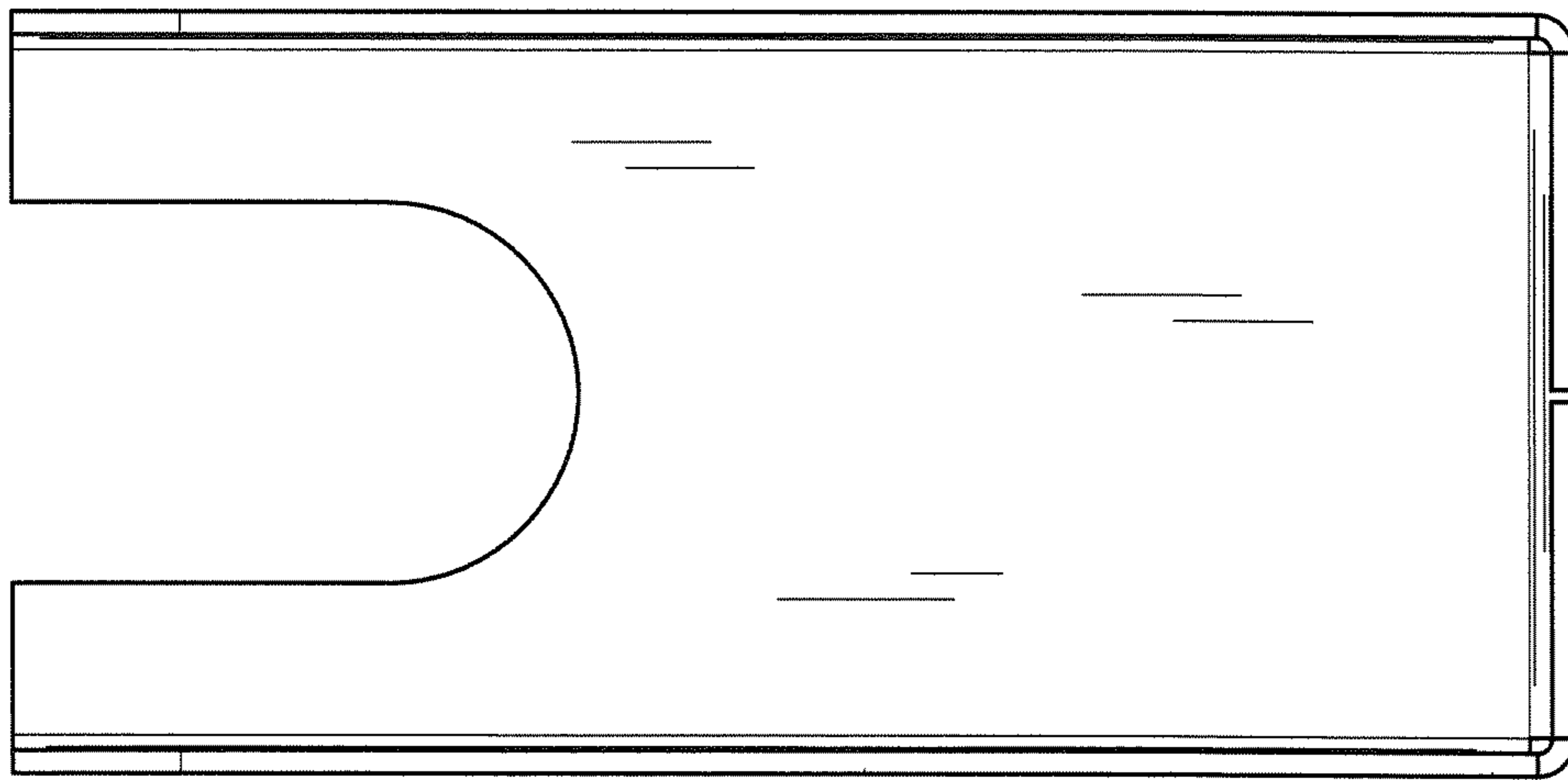


FIG. 6

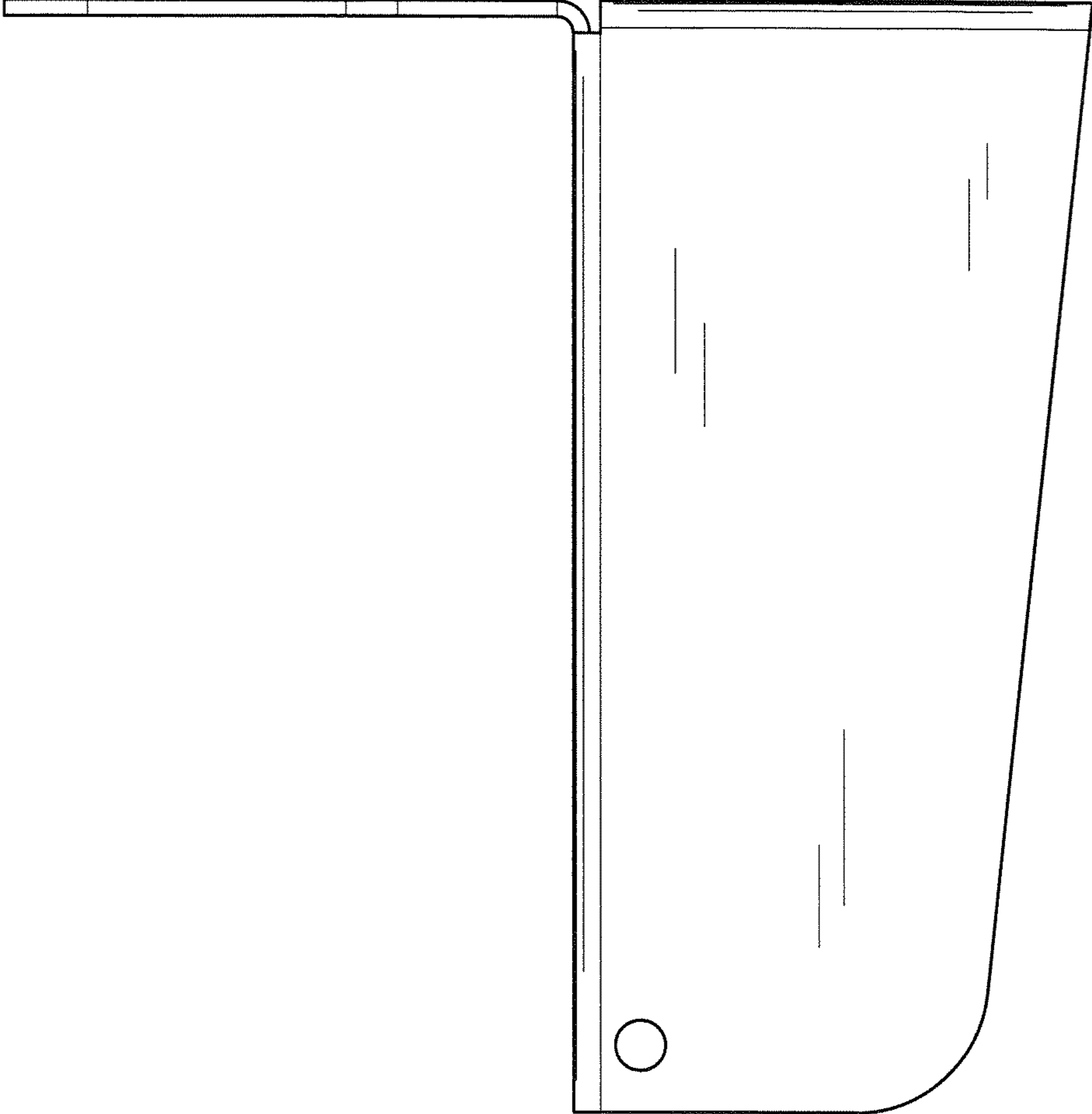


FIG. 7

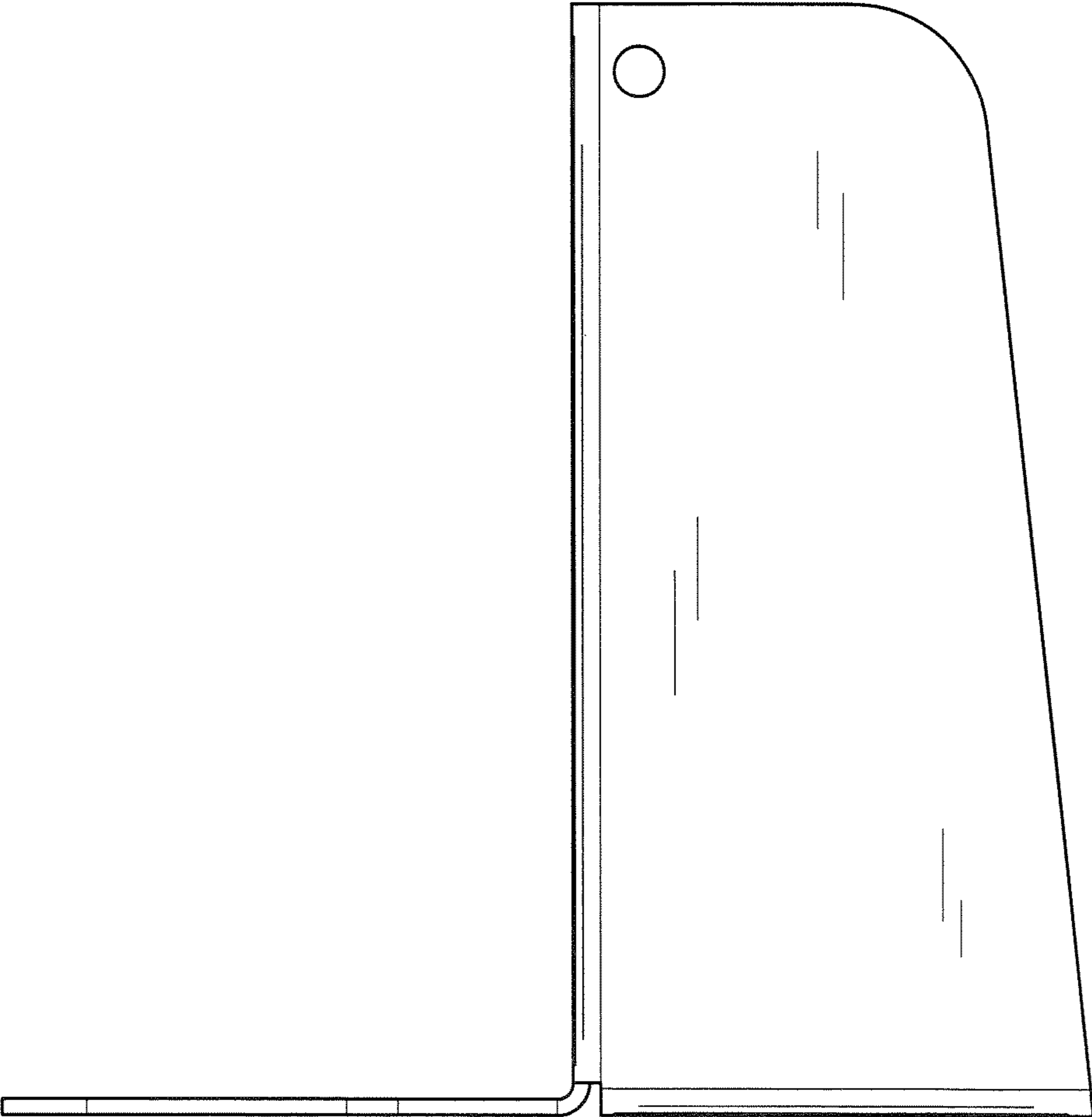


FIG. 8