

US00D924009S

(12) **United States Design Patent** (10) **Patent No.:** **US D924,009 S**
Sikes (45) **Date of Patent:** **** Jul. 6, 2021**

(54) **VESSEL WITH A HOOK FOR HANGING**

FOREIGN PATENT DOCUMENTS

(71) Applicant: **Lisa C. Sikes**, Alexandria, VA (US)

CN 302586261 * 9/2013

(72) Inventor: **Lisa C. Sikes**, Alexandria, VA (US)

JP 2004-181170 A * 7/2004

KR 300883742.0000 * 12/2016

NZ 5932 * 8/2010

(**) Term: **15 Years**

OTHER PUBLICATIONS

(21) Appl. No.: **29/683,061**

Rhode Island Novelty Store, "Rhode Island Novelty Captain 7.5 Inch Hook Hand," Jul. 18, 2009, Amazon.com, www.amazon.com/dp/B005OMW3WW (Year: 2009).*

(22) Filed: **Mar. 11, 2019**

Igloo, "Igloo Sport Beverage Cooler with Chain Links," Apr. 11, 2012, Amazon.com, www.amazon.com/dp/B0088B3D1G (Year: 2012).*

(51) **LOC (13) Cl.** **07-01**

Perky-Pet, "Perky-Pet 245L Ant Guard for Bird Feeders," Oct. 2, 2013, Amazon.ca, www.amazon.ca/dp/B00EZRZVZIK (Year: 2013).*

(52) **U.S. Cl.**

USPC **D7/509**

(58) **Field of Classification Search**

USPC D9/452, 527; D7/532, 533, 529, 392, D7/522, 523, 524, 528, 525, 527, 536, D7/509, 510, 507, 531, 535, 624.2, 511, D7/608, 392.1, 900, 515, 396.2, 537, 387, D7/396.1, 396.3, 396.4, 396.5, 396.6, D7/624.1, 592; D15/90; D8/356; D19/61; D34/8

CPC A47G 19/22; A47G 19/2288; A47G 19/2227; A47G 19/2205; A47G 19/2255; A47G 19/2272; A47G 7/06; A47G 25/10; D65D 23/10; B67D 1/0462; A47B 81/007; A47F 5/05; A47K 1/05; A47K 1/09; A47K 2210/00; A47K 3/00; A61H 33/00; A61H 35/00

See application file for complete search history.

(Continued)

Primary Examiner — Shannon W Morgan

Assistant Examiner — Arva P Adams

(74) *Attorney, Agent, or Firm* — Maier & Maier, PLLC

(57)

CLAIM

The ornamental design for a vessel with a hook for hanging, as shown and described.

DESCRIPTION

FIG. 1 is a bottom perspective view of a vessel with a hook for hanging;

FIG. 2 is a right view thereof;

FIG. 3 is a left view thereof;

FIG. 4 is a front view thereof;

FIG. 5 is a rear view thereof;

FIG. 6 is a top view thereof; and,

FIG. 7 is a bottom view thereof.

The broken lines showing portions of the vessel with a hook for hanging form no part of the claimed design.

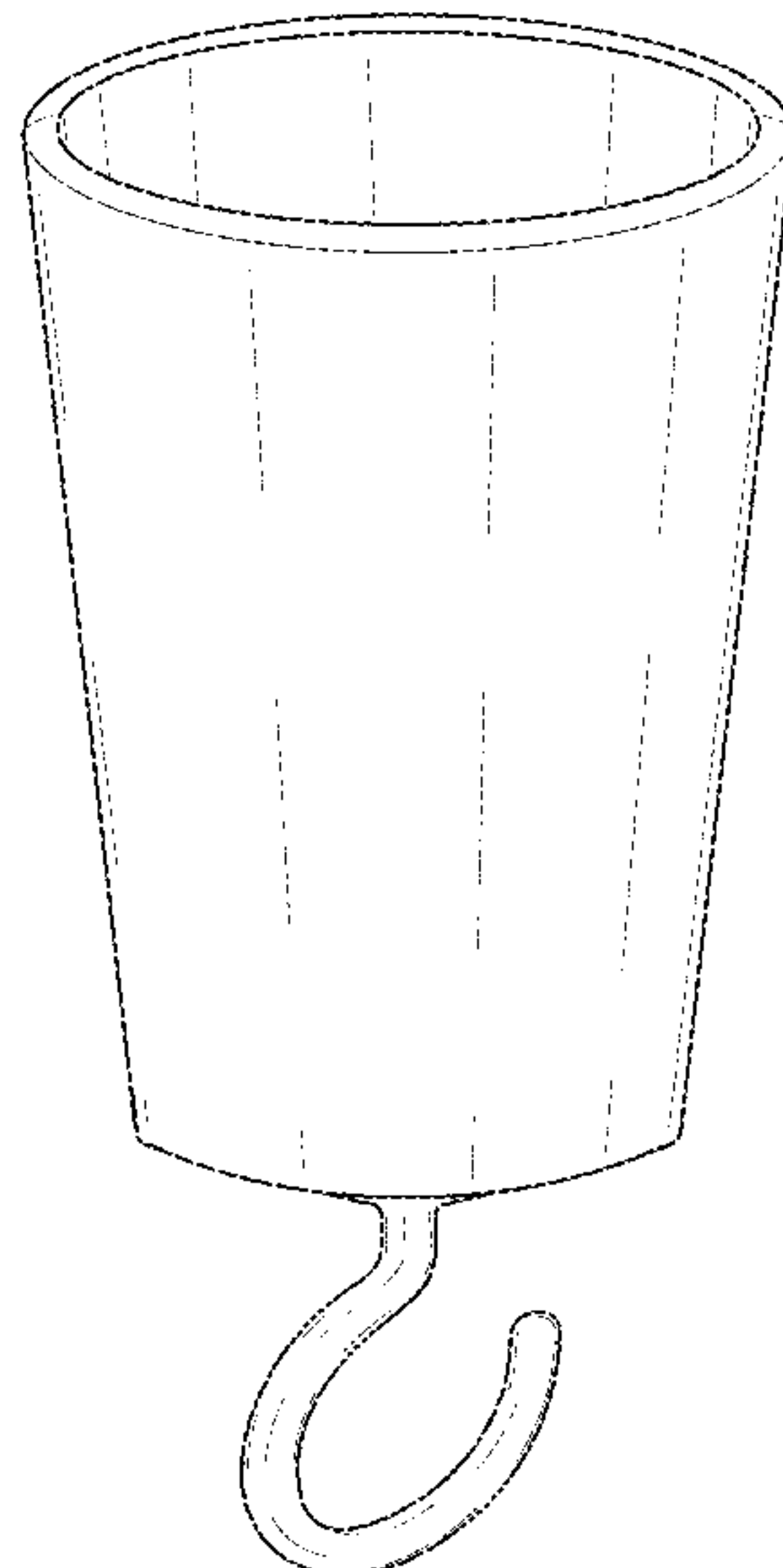
(56)

References Cited

U.S. PATENT DOCUMENTS

D44,337 S * 7/1913 Ebeling D7/524
D44,351 S * 7/1913 Bottome D7/522
D44,352 S * 7/1913 Bottome D7/522
D280,078 S * 8/1985 Fortuna D7/523
D718,576 S * 12/2014 Hinterleitner D7/524
D774,829 S * 12/2016 Passot D7/531
D776,981 S * 1/2017 Eberhard D7/537
D787,146 S * 5/2017 Kassel D34/8

1 Claim, 4 Drawing Sheets



(56)

References Cited

OTHER PUBLICATIONS

Wentworth Pewter, "Wentworth Pewter—Medieval Pewter Chalice Goblet Drinking Toasting Cup," Apr. 24, 2017, Amazon.com, www.amazon.com/dp/B01N9SMPT8 (Year: 2017).*

Schott Zwiesel Store, "Schott Zwiesel Tritan Crystal Modo Stemware Red Wine Glasses," Nov. 9, 2018, Amazon.com, www.amazon.com/dp/B07KC8KB7H (Year: 2018).*

Tosnail, "Tosnail Colorful Iron Flower Pot Hanging Planters," Jun. 28, 2018, Amazon.ca, www.amazon.ca/dp/B01HEUCHOK (Year: 2018).*

* cited by examiner

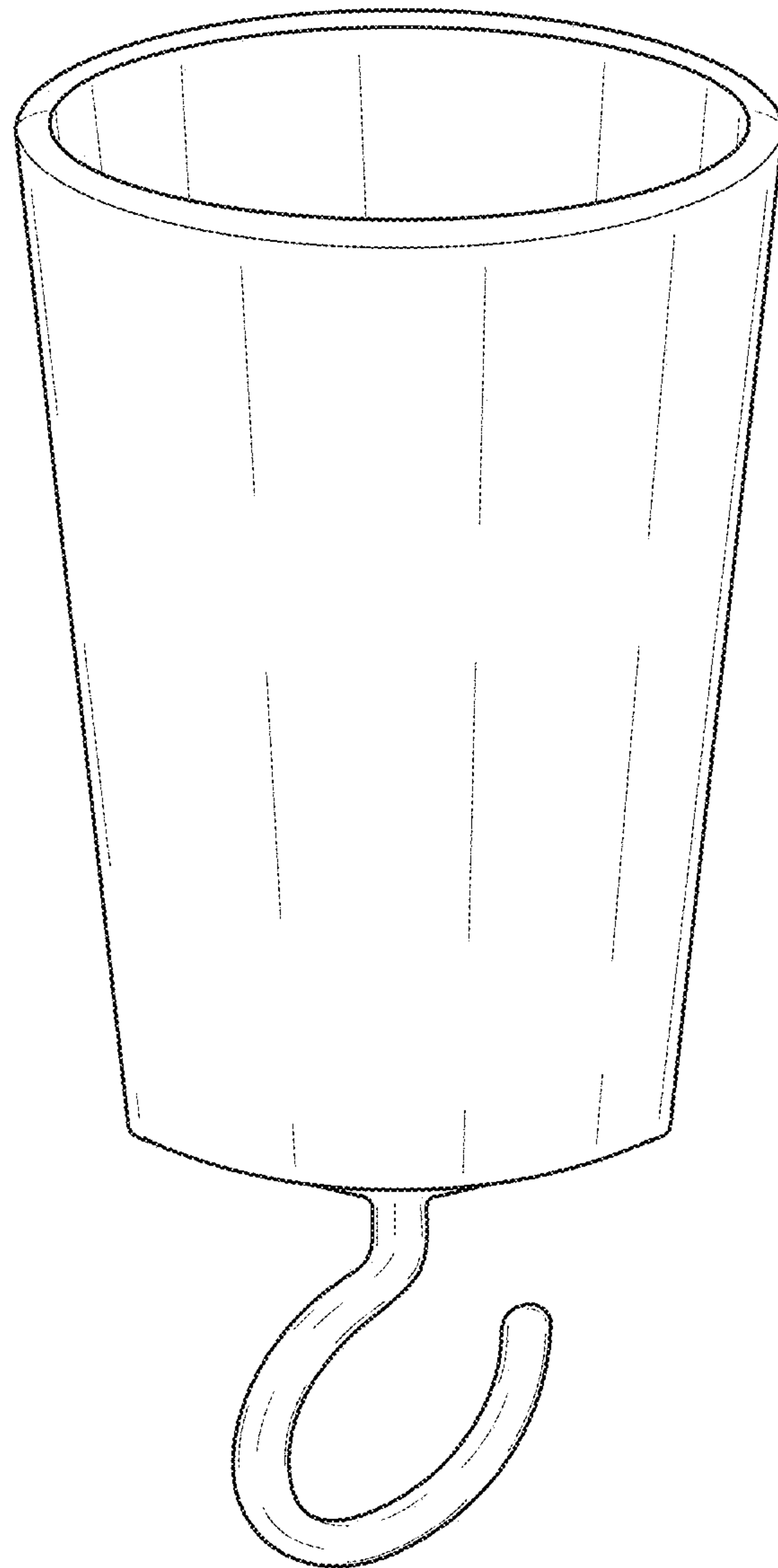


Fig. 1

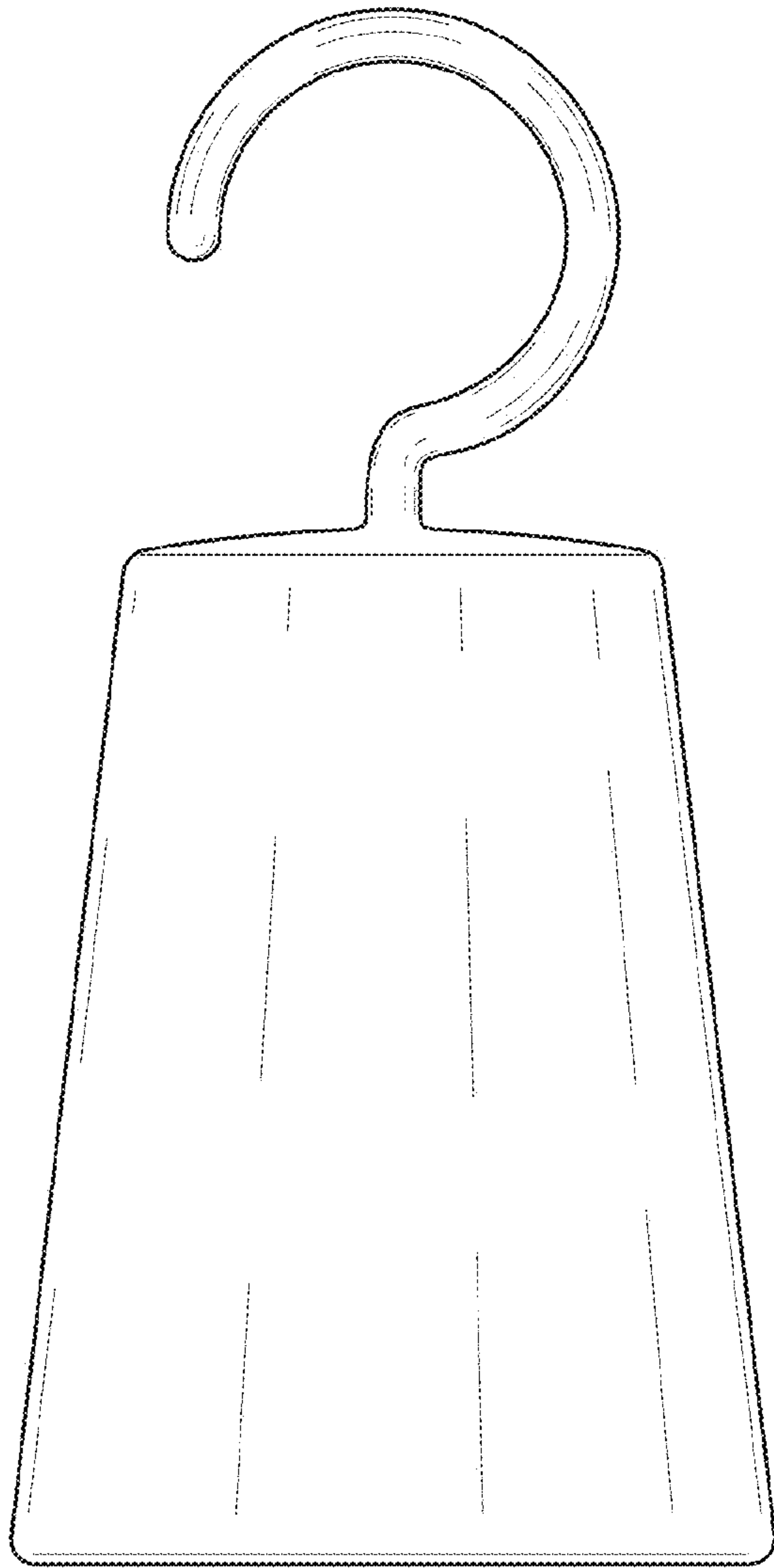


Fig. 2

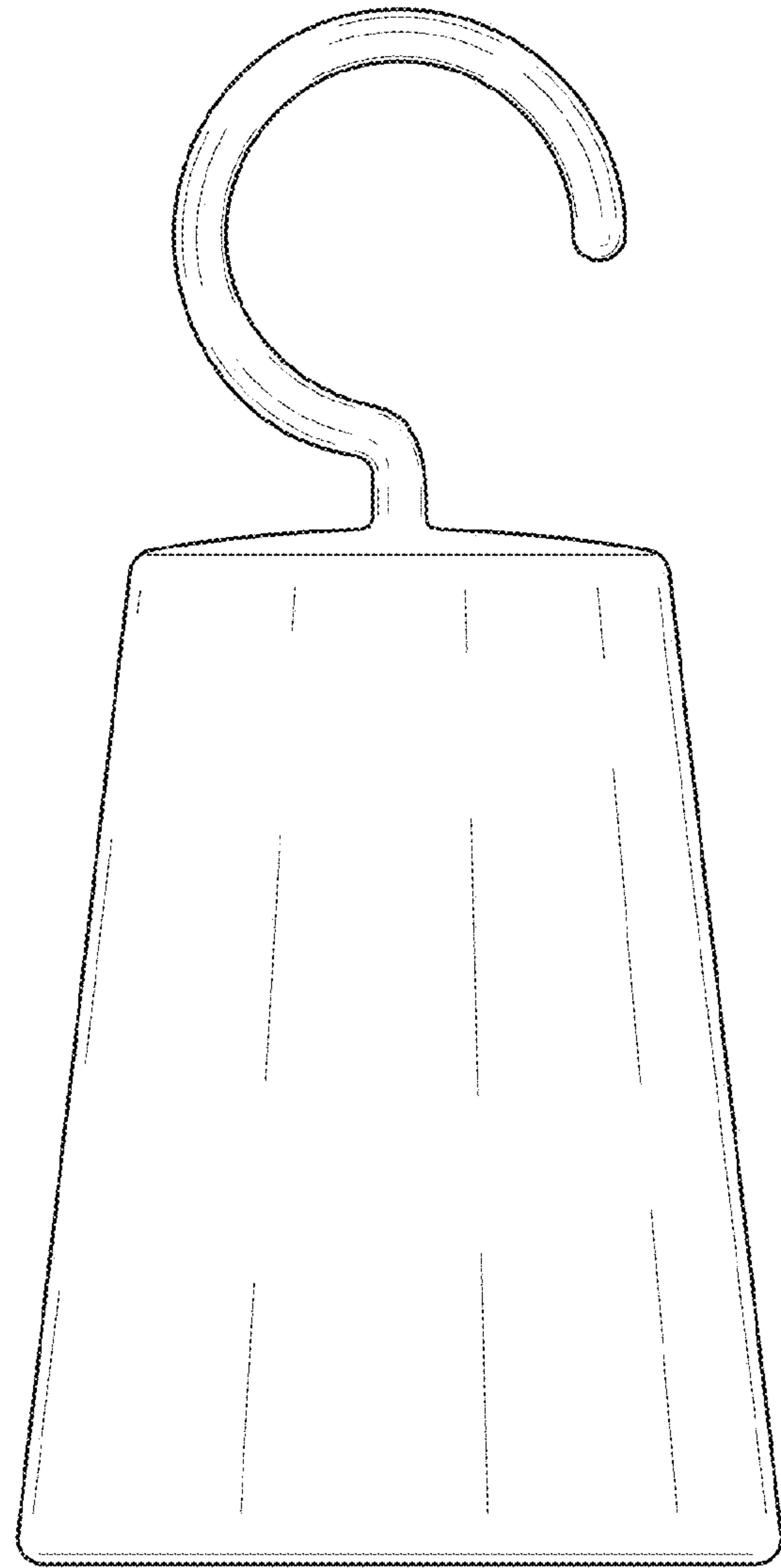


Fig. 3

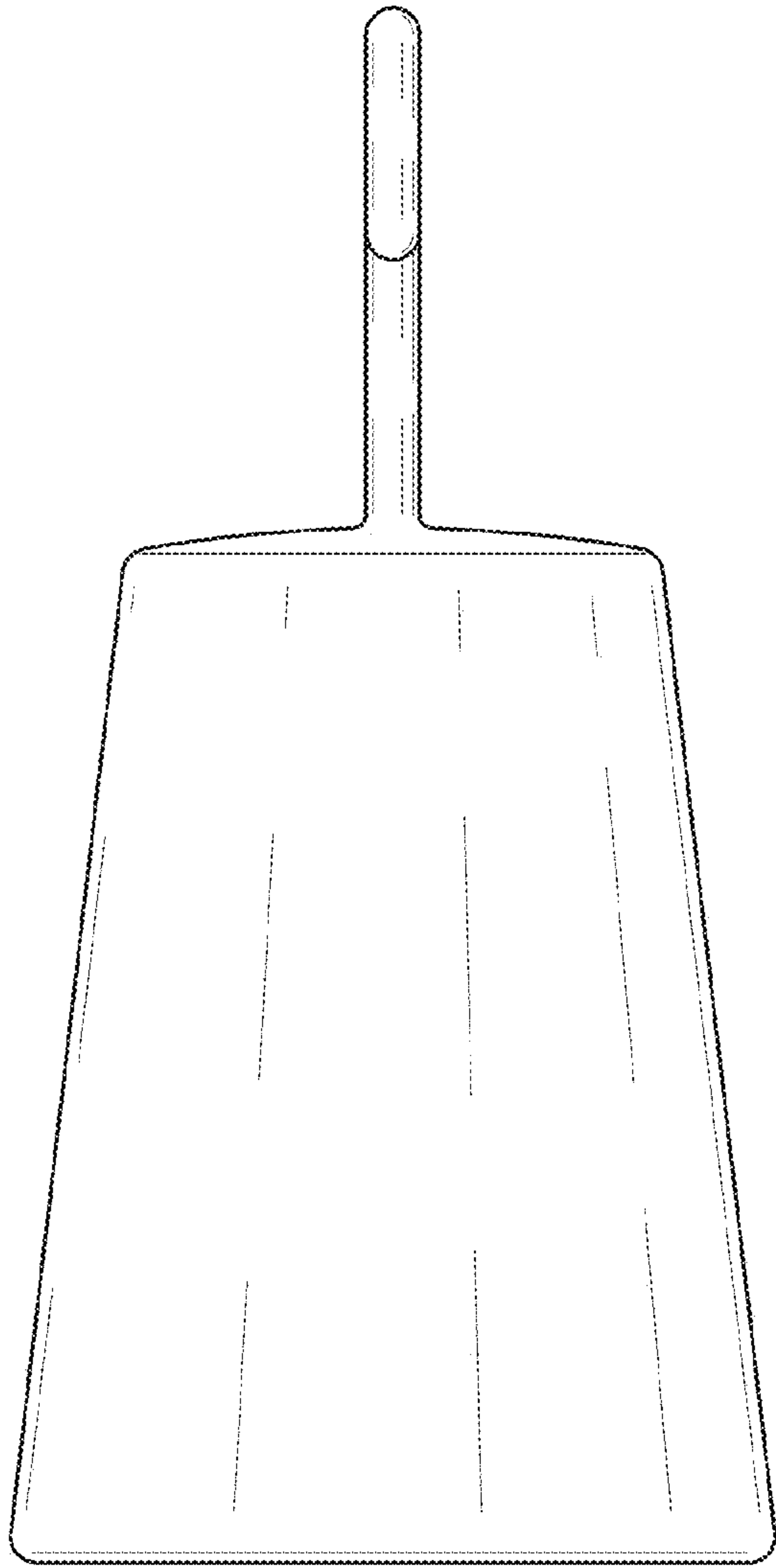


Fig. 4

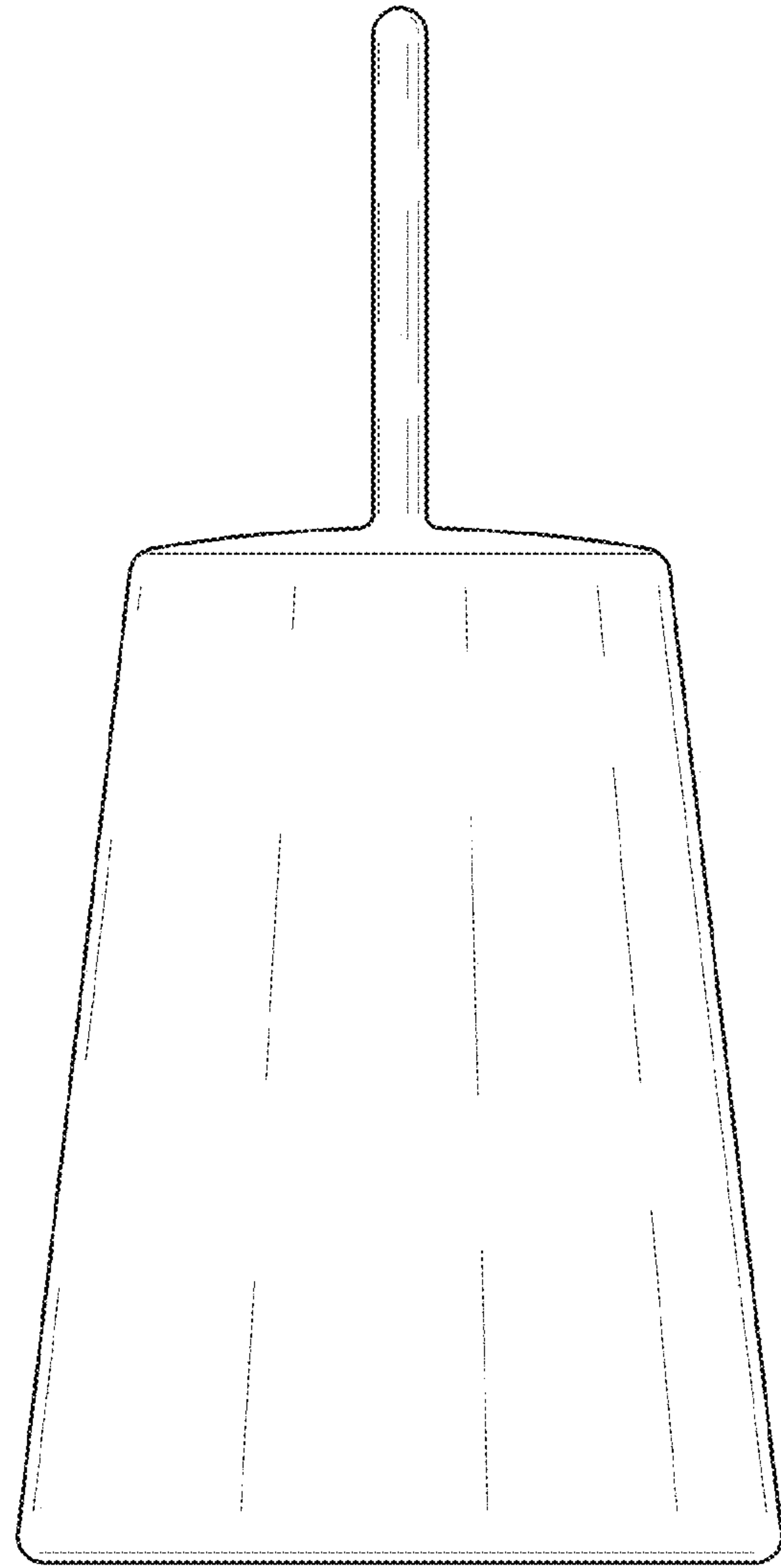


Fig. 5

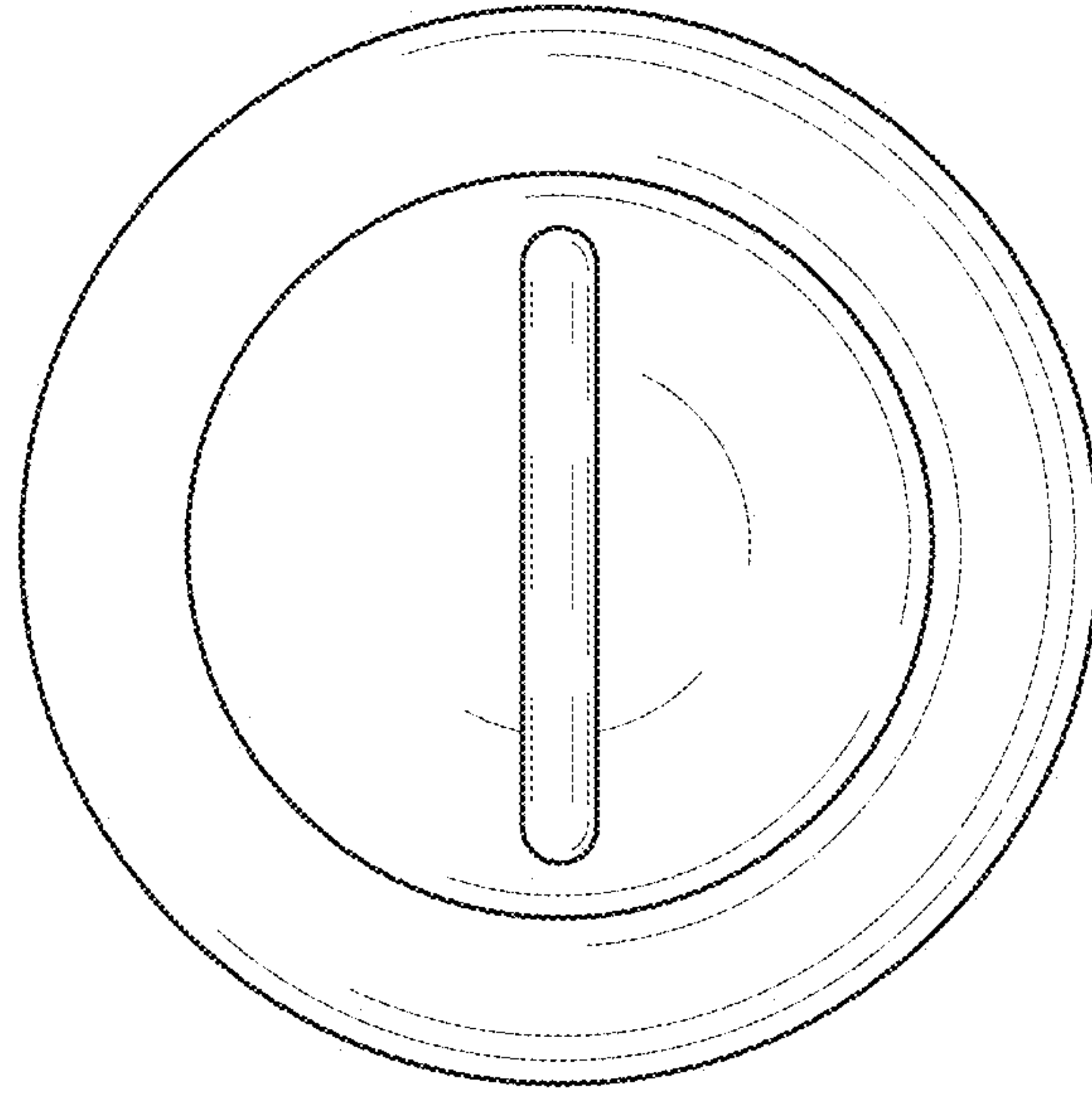


Fig. 6

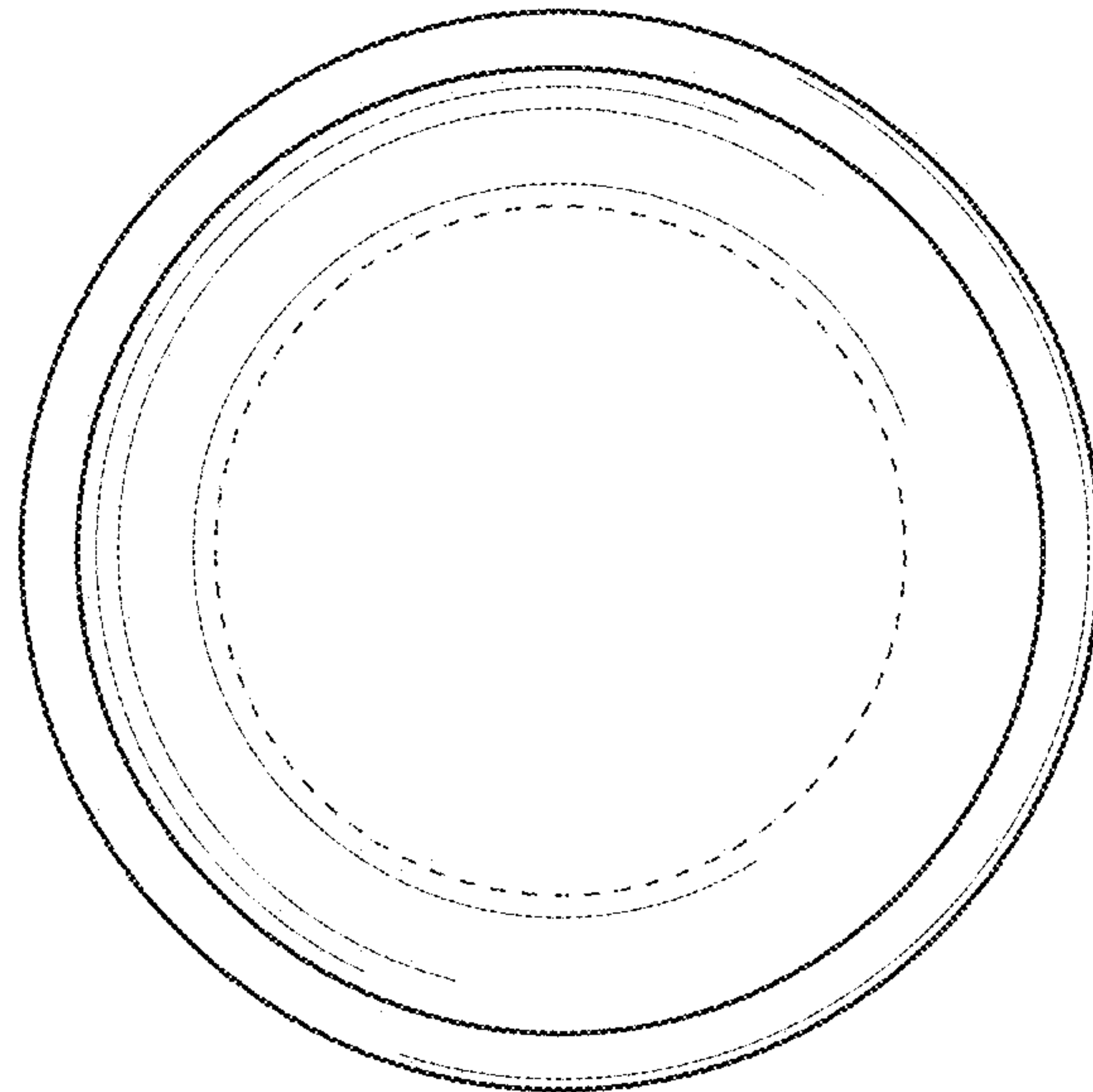


Fig. 7