



US00D924008S

(12) **United States Design Patent**
Kim

(10) **Patent No.:** **US D924,008 S**
(45) **Date of Patent:** **** Jul. 6, 2021**

- (54) **SUCTION CHILD'S DISH**
- (71) Applicant: **Sunny Kim**, Douglaston, NY (US)
- (72) Inventor: **Sunny Kim**, Douglaston, NY (US)
- (73) Assignee: **Helen of Troy Limited**, St. Michael (BB)
- (**) Term: **15 Years**
- (21) Appl. No.: **29/690,611**
- (22) Filed: **May 9, 2019**

- D265,280 S * 7/1982 Conti D7/387
- D297,799 S * 9/1988 Hammer D7/507
- 4,823,958 A * 4/1989 Mahmud A47G 19/065
206/217
- D303,194 S * 9/1989 Darby D7/507
- 5,441,164 A * 8/1995 Beck A47G 19/06
220/574
- 5,593,062 A * 1/1997 Martin A47G 19/065
220/556
- D401,810 S * 12/1998 Swift D7/553.6
- D402,851 S * 12/1998 Stauffer D7/505
- D593,364 S * 6/2009 Harris D7/505
- D601,310 S * 9/2009 Greenan D30/129
- D630,469 S * 1/2011 Cagani D7/393
- D651,513 S * 1/2012 Baker D9/445
- D670,451 S * 11/2012 Able D30/129

(Continued)

Related U.S. Application Data

- (62) Division of application No. 29/613,876, filed on Aug. 14, 2017, now Pat. No. Des. 878,154.
- (51) **LOC (13) Cl.** **07-01**
- (52) **U.S. Cl.**
USPC **D7/505; D7/553.4**
- (58) **Field of Classification Search**
USPC D7/507, 509, 510, 511, 392.1, 396.2,
D7/400, 398, 213, 393, 394, 397, 514,
D7/515, 389, 581, 401.1, 602, 600.1, 387,
D7/524, 528, 601, 632, 505, 607, 550.1,
D7/555, 553.8, 557; D9/434, 435, 436,
D9/447, 448, 635, 440, 439, 450, 446,
D9/443; D24/197; D21/385, 386, 390;
D99/34, 35
CPC B65D 41/56; B65D 41/04; B65D 41/0414;
A47J 43/27; A45F 3/16; A61J 11/02;
A61J 9/02; A61J 11/045
See application file for complete search history.

(56) **References Cited**

U.S. PATENT DOCUMENTS

- D102,968 S * 1/1937 Farber D7/505
- 2,813,509 A * 11/1957 Bruno A01K 5/0114
119/51.01
- D248,077 S * 6/1978 Daenen D30/129

OTHER PUBLICATIONS

<https://www.youtube.com/watch?v=jyKOn-Oncec> OXO Tot Stick & Stay Suction Divided Plate (Year: 2018).*

Primary Examiner — Jae Liang
(74) *Attorney, Agent, or Firm* — Rankin, Hill & Clark LLP

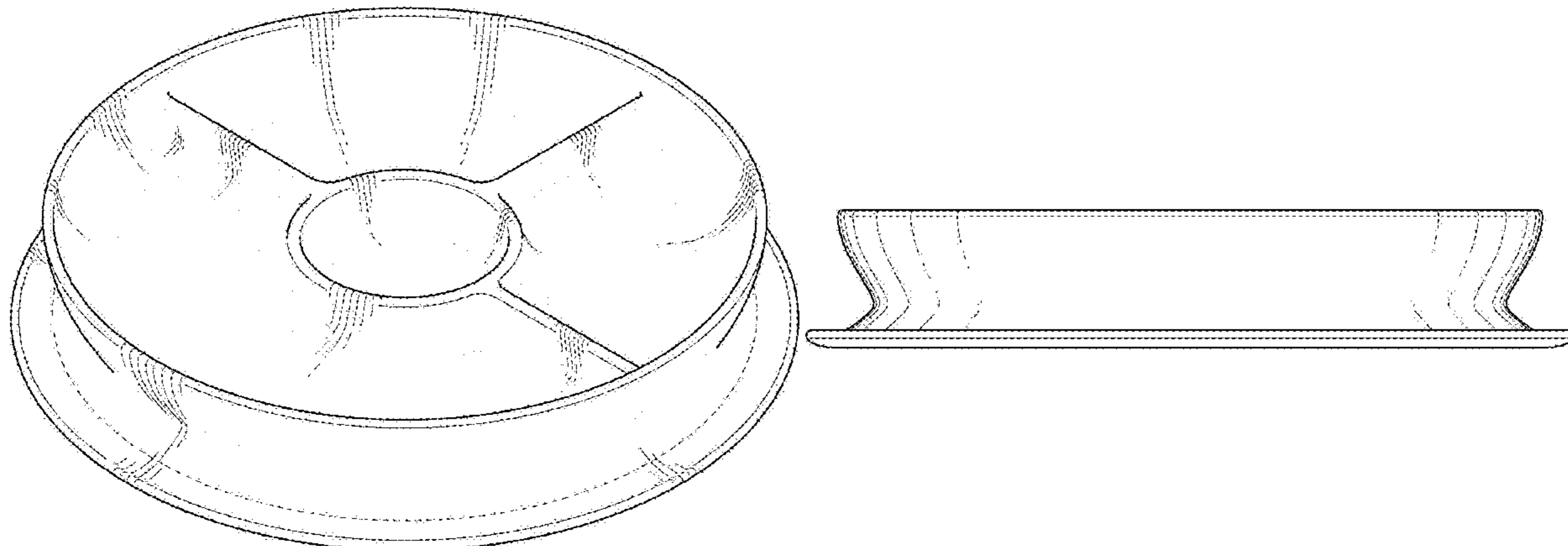
(57) **CLAIM**

The ornamental design for a suction child's dish, as shown, and described.

DESCRIPTION

FIG. 1 is a perspective view of a suction child's dish;
FIG. 2 is a front view thereof;
FIG. 3 is a rear view thereof;
FIG. 4 is a left side view thereof;
FIG. 5 is a right side view thereof;
FIG. 6 is a top view thereof; and,
FIG. 7 is a bottom view thereof.
The broken lines in the drawings depict portions of the suction child's dish that form no part of the claimed design.

1 Claim, 7 Drawing Sheets



(56)

References Cited

U.S. PATENT DOCUMENTS

D699,514	S *	2/2014	Lovley, II	D7/409
D727,090	S *	4/2015	St. Jacques	D7/388
D732,891	S *	6/2015	Bonilla	D7/505
9,101,237	B2 *	8/2015	Artsvelyan	A47G 19/02
D742,698	S *	11/2015	Kellow, Jr.	D7/557
9,265,370	B2 *	2/2016	Kellow, Jr.	A47G 19/065
D750,939	S *	3/2016	Kellow, Jr.	D7/557
D767,941	S *	10/2016	Laurain	D7/555
D774,361	S *	12/2016	Laurain	D7/555
D781,659	S *	3/2017	Kellow, Jr.	D7/557
D807,705	S *	1/2018	Laurain	D7/555
D812,433	S *	3/2018	Kwok	D7/553.4
D817,762	S *	5/2018	French	D9/456
D836,990	S *	1/2019	Hakim	D7/553.4
D850,858	S *	6/2019	Roaks	D7/555
D878,154	S *	3/2020	Kim	D7/505
2005/0229793	A1 *	10/2005	Wengrovsky	A47G 19/04 99/483
2015/0216338	A1 *	8/2015	Shendelman	A47G 19/065 220/574
2017/0280904	A1 *	10/2017	Laurain	A47G 23/0303

* cited by examiner

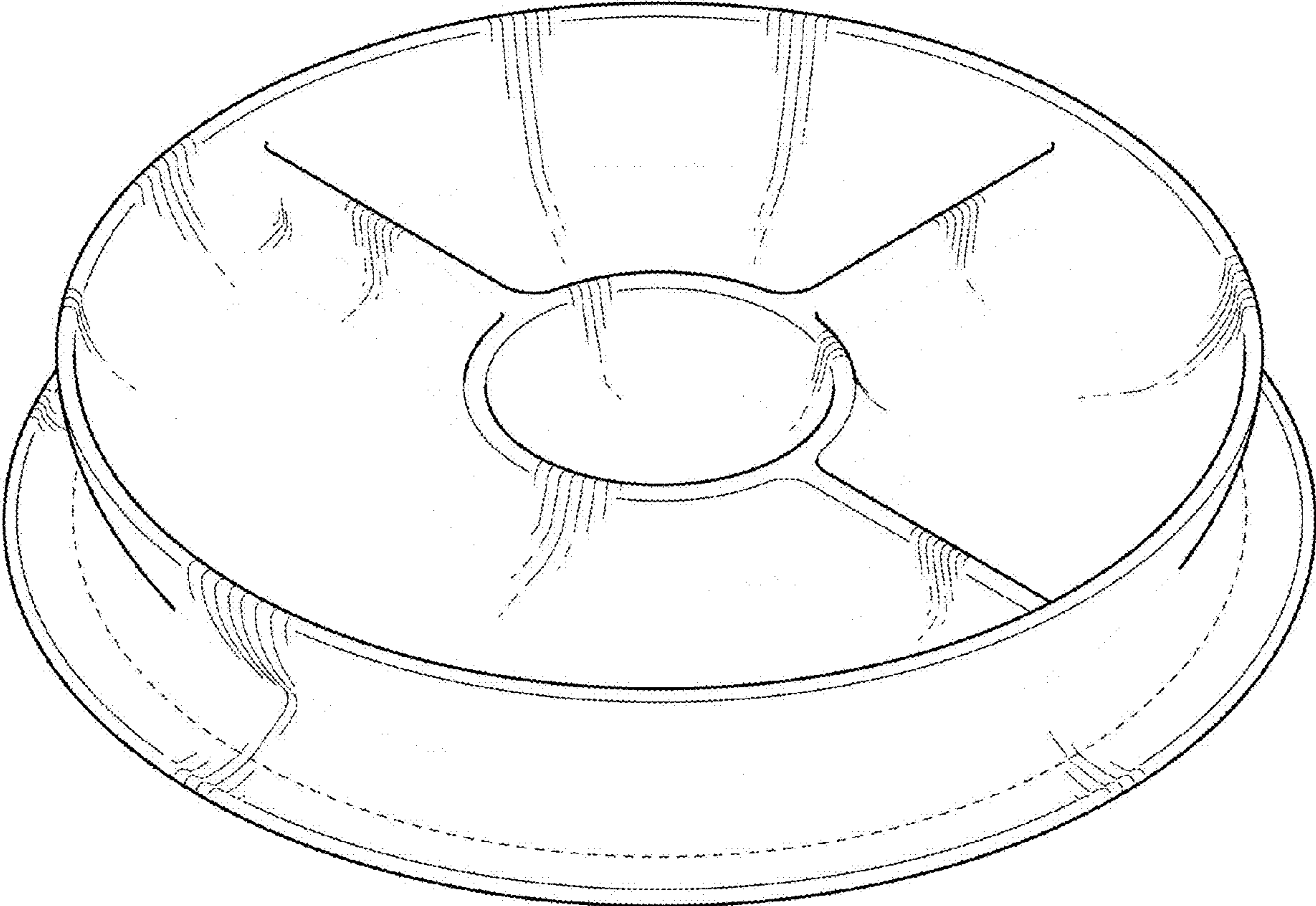


FIG. 1



FIG. 2

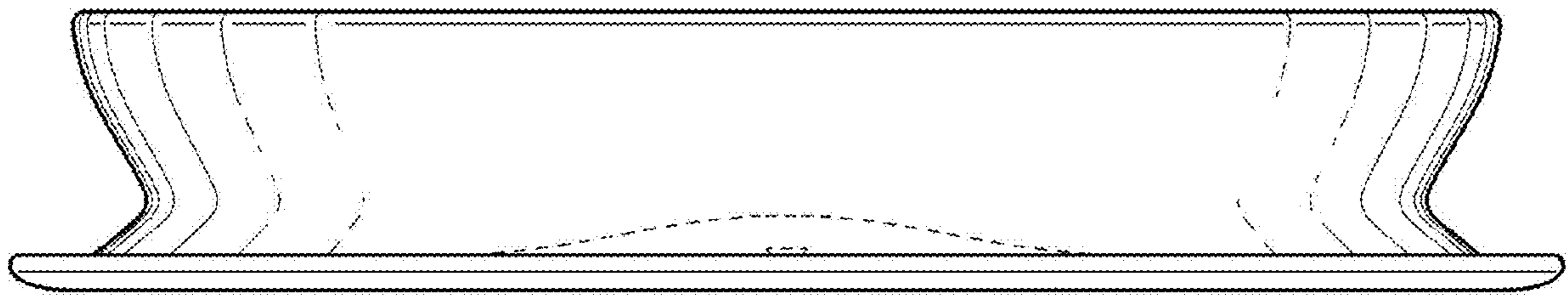


FIG. 3

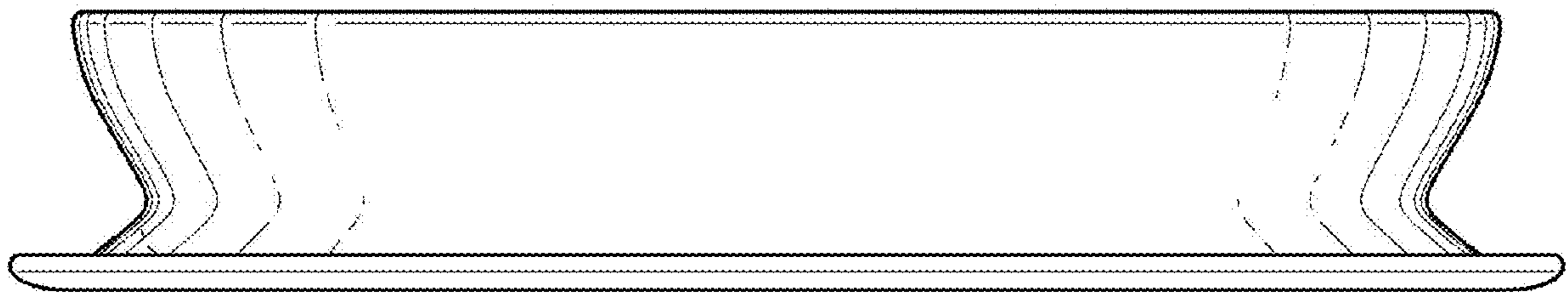


FIG. 4

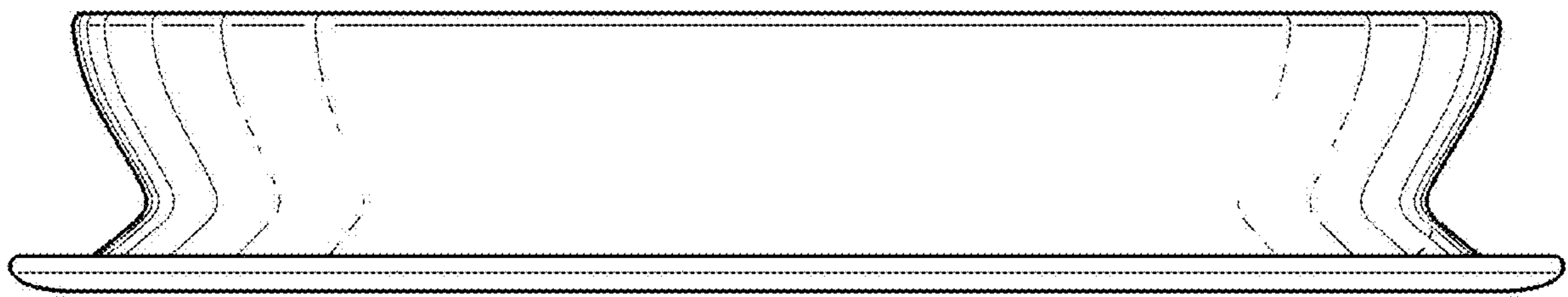


FIG. 5

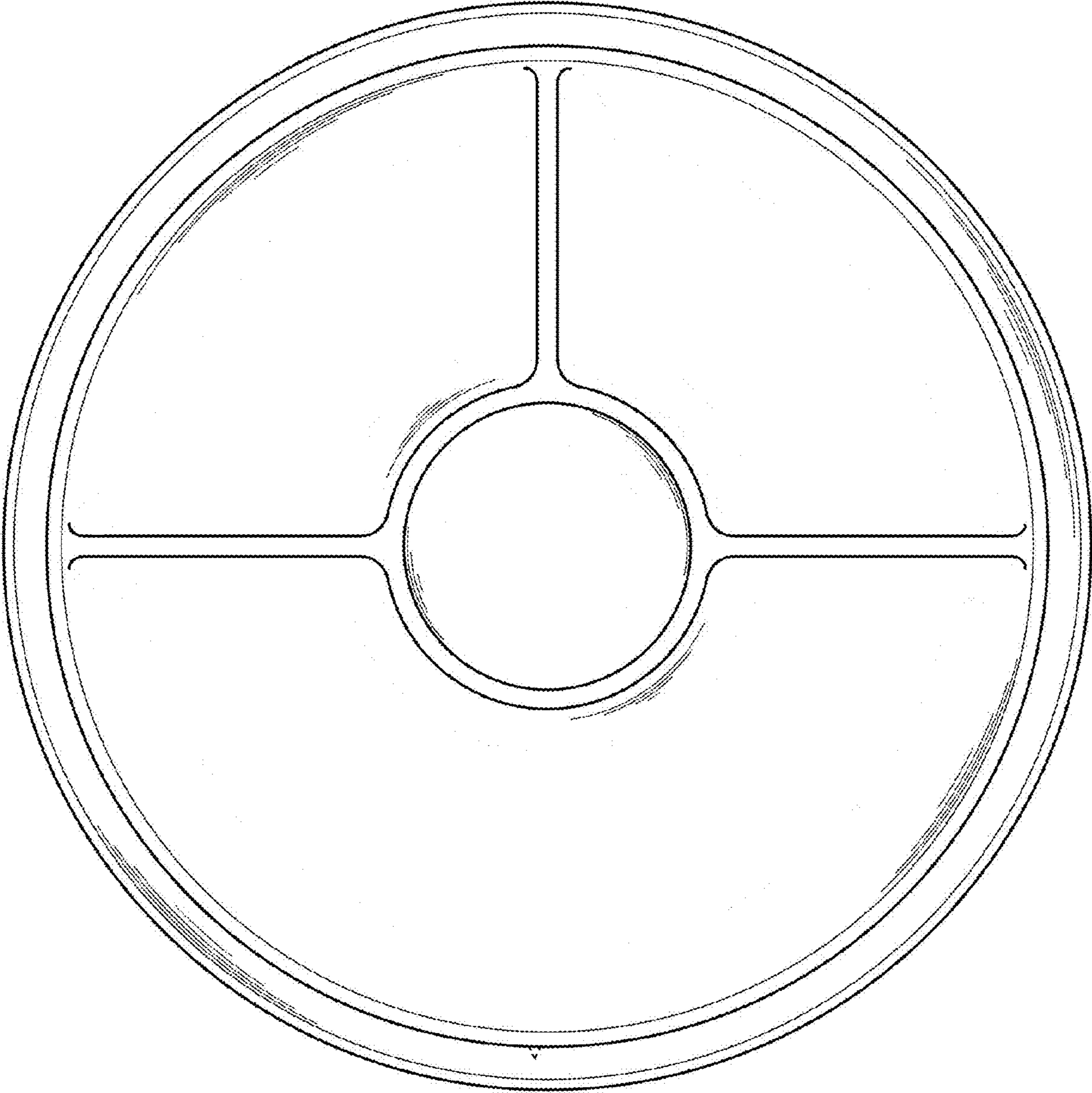


FIG. 6

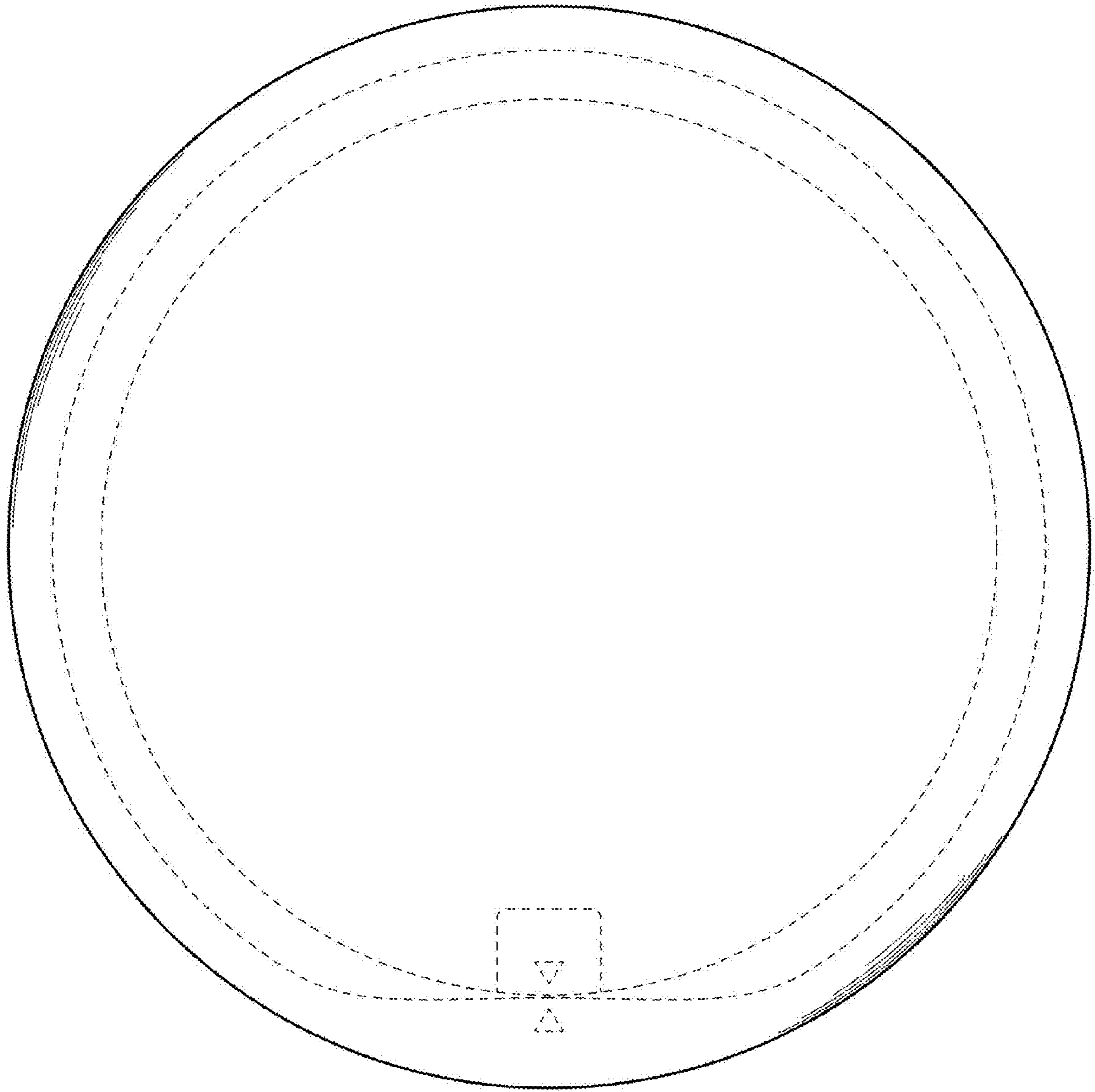


FIG. 7