



US00D924004S

(12) **United States Design Patent**
Witberg

(10) **Patent No.:** **US D924,004 S**

(45) **Date of Patent:** **** Jul. 6, 2021**

(54) **RACK FOR SOUS VIDE,
COOLING/FREEZING, COOKING AND/OR
SMOKING FOOD**

(71) Applicant: **Wihapa AS**, Oslo (NO)

(72) Inventor: **Knut Witberg**, Oslo (NO)

(73) Assignee: **WIHAPA AS**, Oslo (NO)

(**) Term: **15 Years**

(21) Appl. No.: **29/685,839**

(22) Filed: **Apr. 1, 2019**

(30) **Foreign Application Priority Data**

Oct. 1, 2018 (NO) 20180874

(51) **LOC (13) Cl.** **07-02**

(52) **U.S. Cl.**
USPC **D7/409**

(58) **Field of Classification Search**

USPC D6/678.4; D7/323, 332, 335-337,
D7/354-355, 359-364, 387-388, 402,
D7/407-409, 704; D19/90
CPC A21B 2/00; A21B 3/00; A21B 3/13; A21B
3/15; A21B 5/00; A21B 5/02; A23N
12/06; A23N 12/08; A23N 12/10; A47J
37/00; A47J 37/04; A47J 37/041; A47J
37/042; A47J 37/06; A47J 37/0688; A47J
37/0694; A47J 37/07; A47J 37/0704;
A47J 37/10; A47J 43/18; A47J 47/16;
A47J 47/20; A47J 2037/00; A47J
2037/06; A47J 2037/0611; A47J 2037/07;
A47J 2037/0786; A47J 2037/0795; F24C
15/10; F24C 15/12; F24C 15/14; F24C
15/16; F24C 15/18; F24C 15/102; F24C
15/164

See application file for complete search history.

(56) **References Cited**

U.S. PATENT DOCUMENTS

2,360,026 A * 10/1944 Wall A47J 37/0694
99/426
3,084,617 A * 4/1963 Jamentz A47J 37/0694
99/426
6,164,194 A * 12/2000 Westmoreland A47J 37/0694
211/181.1
D538,106 S * 3/2007 Julian D7/409

(Continued)

Primary Examiner — Ricky Pham

(74) *Attorney, Agent, or Firm* — Harness, Dickey &
Pierce, P.L.C.

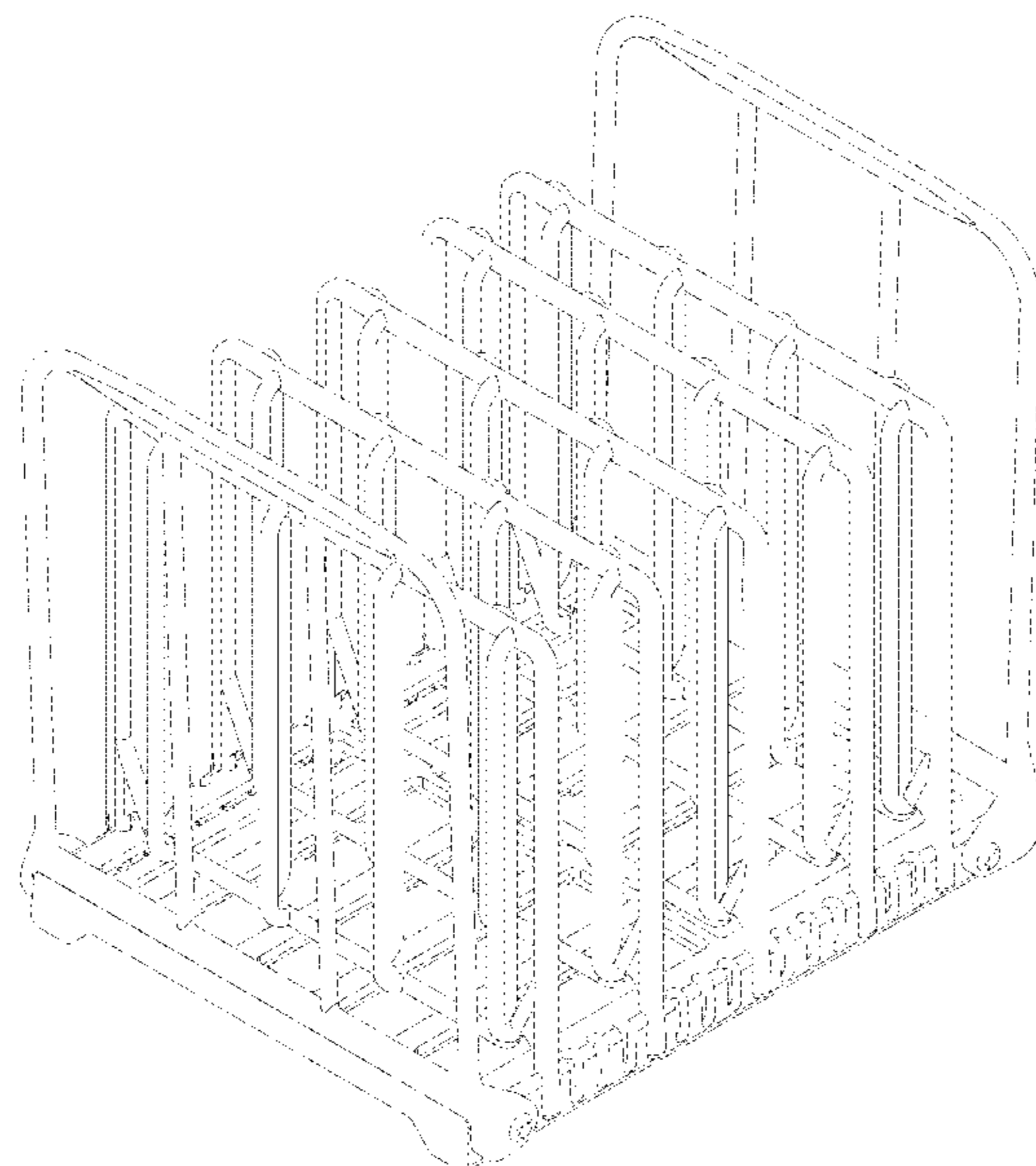
(57) **CLAIM**

The ornamental design for a rack for sous vide, cooling/
freezing, cooking and/or smoking food, as shown and
described.

DESCRIPTION

FIG. 1 is a perspective view showing a rack for sous vide,
cooling/freezing, cooking and/or smoking food;
FIG. 2 is a left-side elevational view of the rack for sous
vide, cooling/freezing, cooking and/or smoking food of FIG.
1;
FIG. 3 is a front elevational view of the rack for sous vide,
cooling/freezing, cooking and/or smoking food of FIG. 1;
FIG. 4 is a top plan view of the rack for sous vide,
cooling/freezing, cooking and/or smoking food of FIG. 1;
FIG. 5 is a right-side elevational view of the rack for sous
vide, cooling/freezing, cooking and/or smoking food of FIG.
1;
FIG. 6 is a back elevational view of the rack for sous vide,
cooling/freezing, cooking and/or smoking food of FIG. 1;
and,
FIG. 7 is a bottom plan view of the rack for sous vide,
cooling/freezing, cooking and/or smoking food of FIG. 1.

1 Claim, 7 Drawing Sheets



(56)

References Cited

U.S. PATENT DOCUMENTS

7,669,523 B1 * 3/2010 Zemel A47J 37/0694
99/426
D668,103 S * 10/2012 Cloutier D7/402
D694,580 S * 12/2013 Cloutier D7/402
8,627,764 B1 * 1/2014 Cloutier A47J 37/0694
99/450
D774,356 S * 12/2016 Maiorana D7/409
D780,262 S * 2/2017 Tsai D19/90
D823,078 S * 7/2018 Tuang D7/704
D850,169 S * 6/2019 Tsai D6/678.4
10,722,072 B2 * 7/2020 Witberg A47J 43/18

* cited by examiner

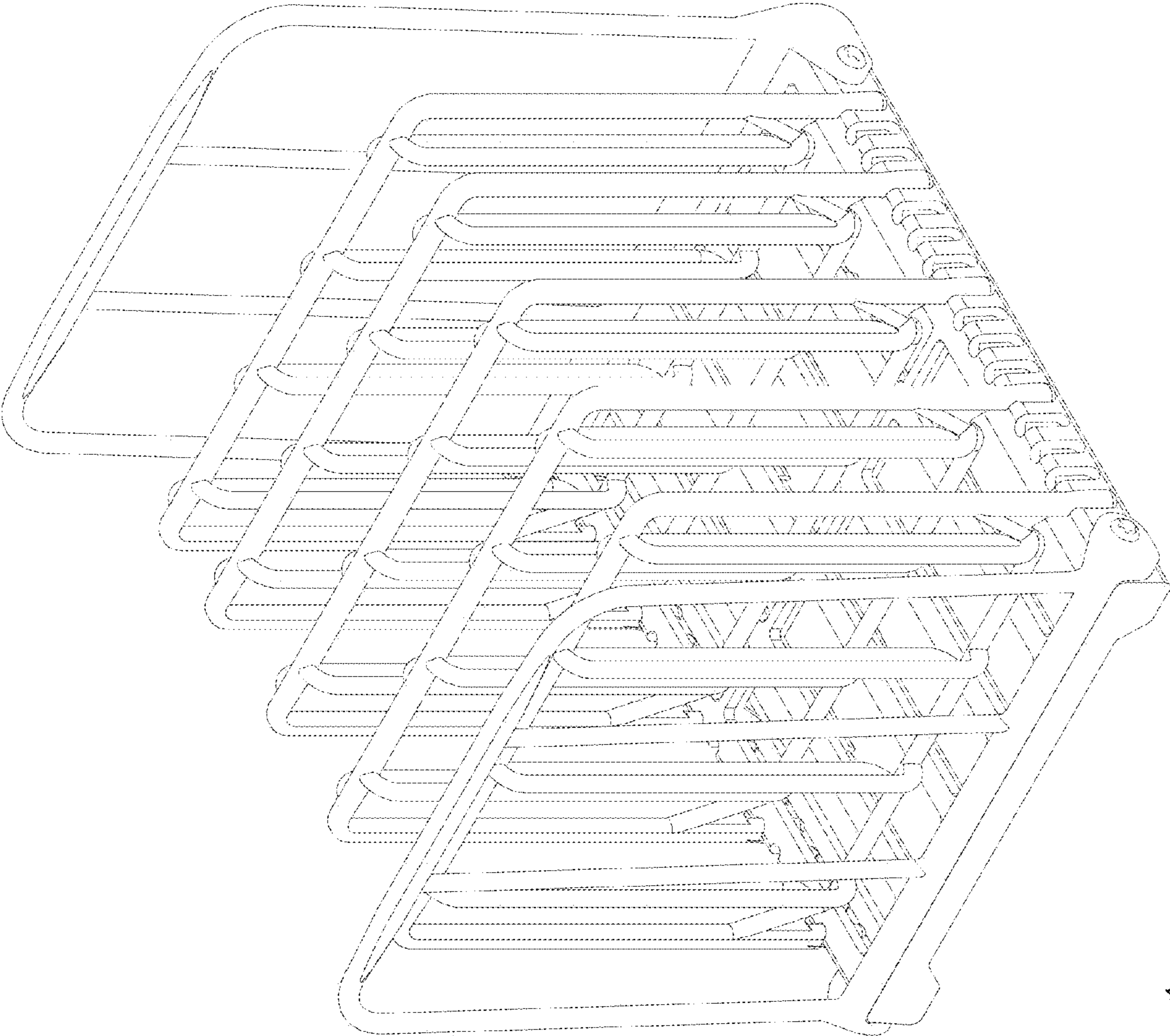


Fig. 1

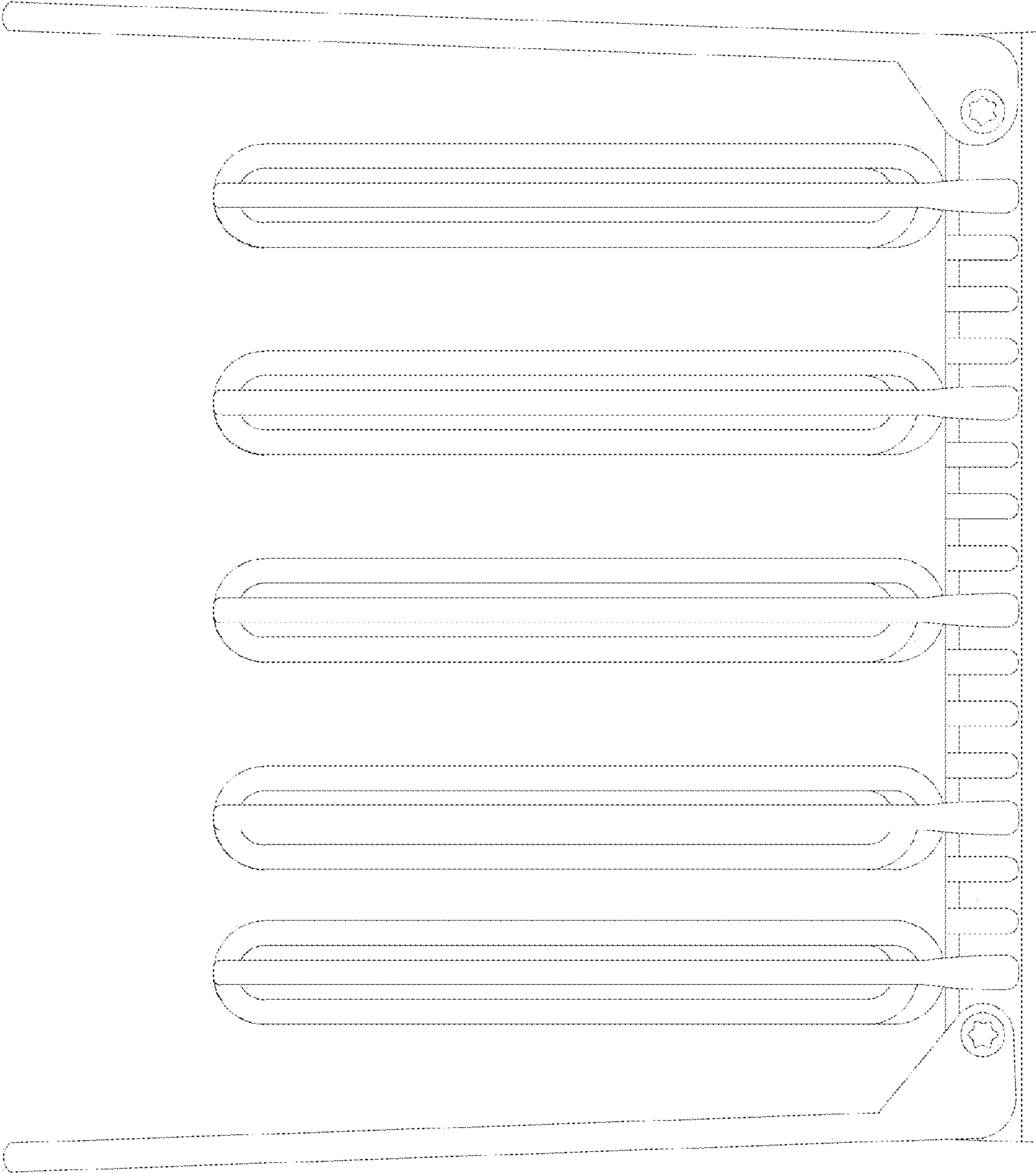


Fig. 2

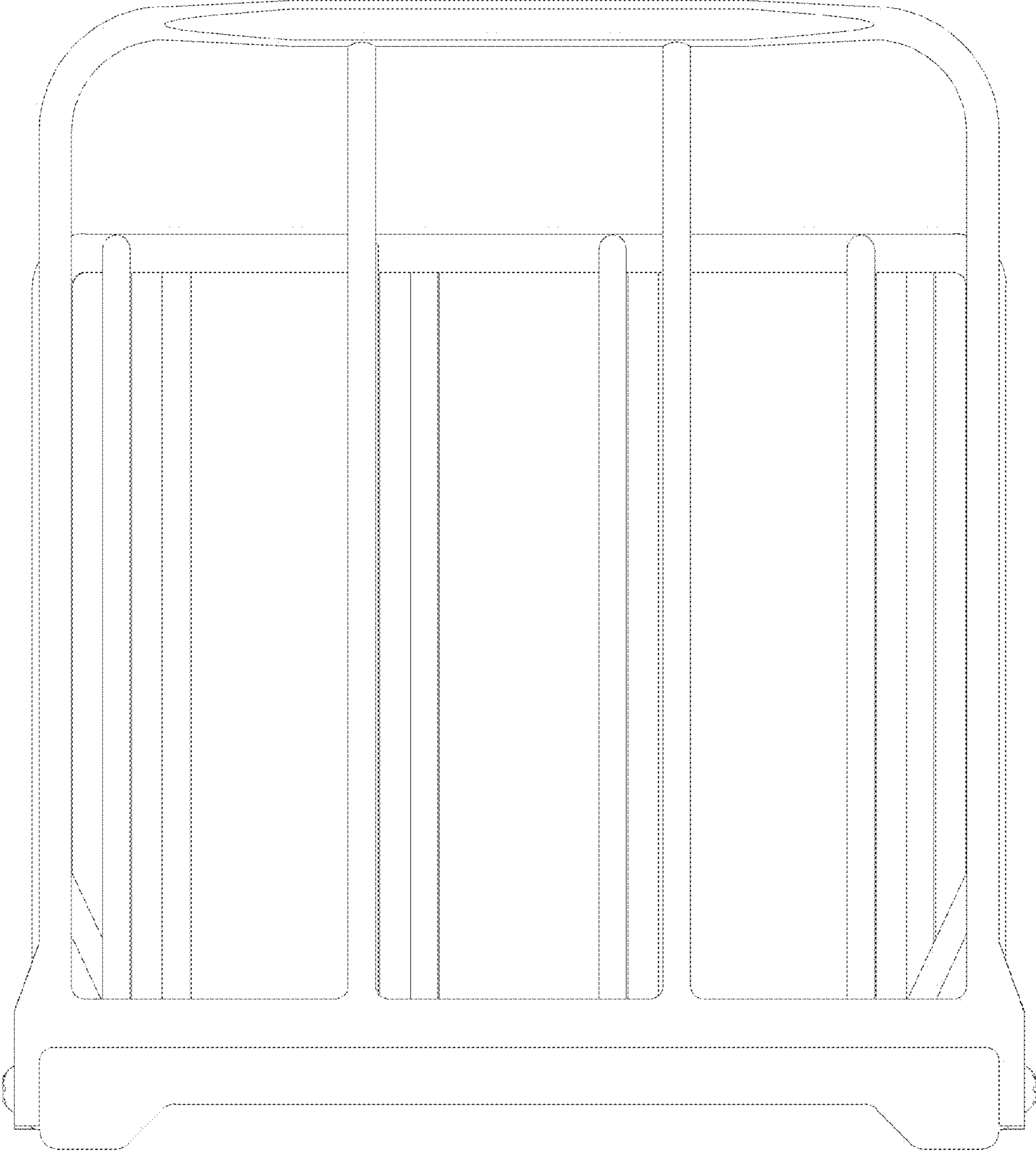


Fig. 3

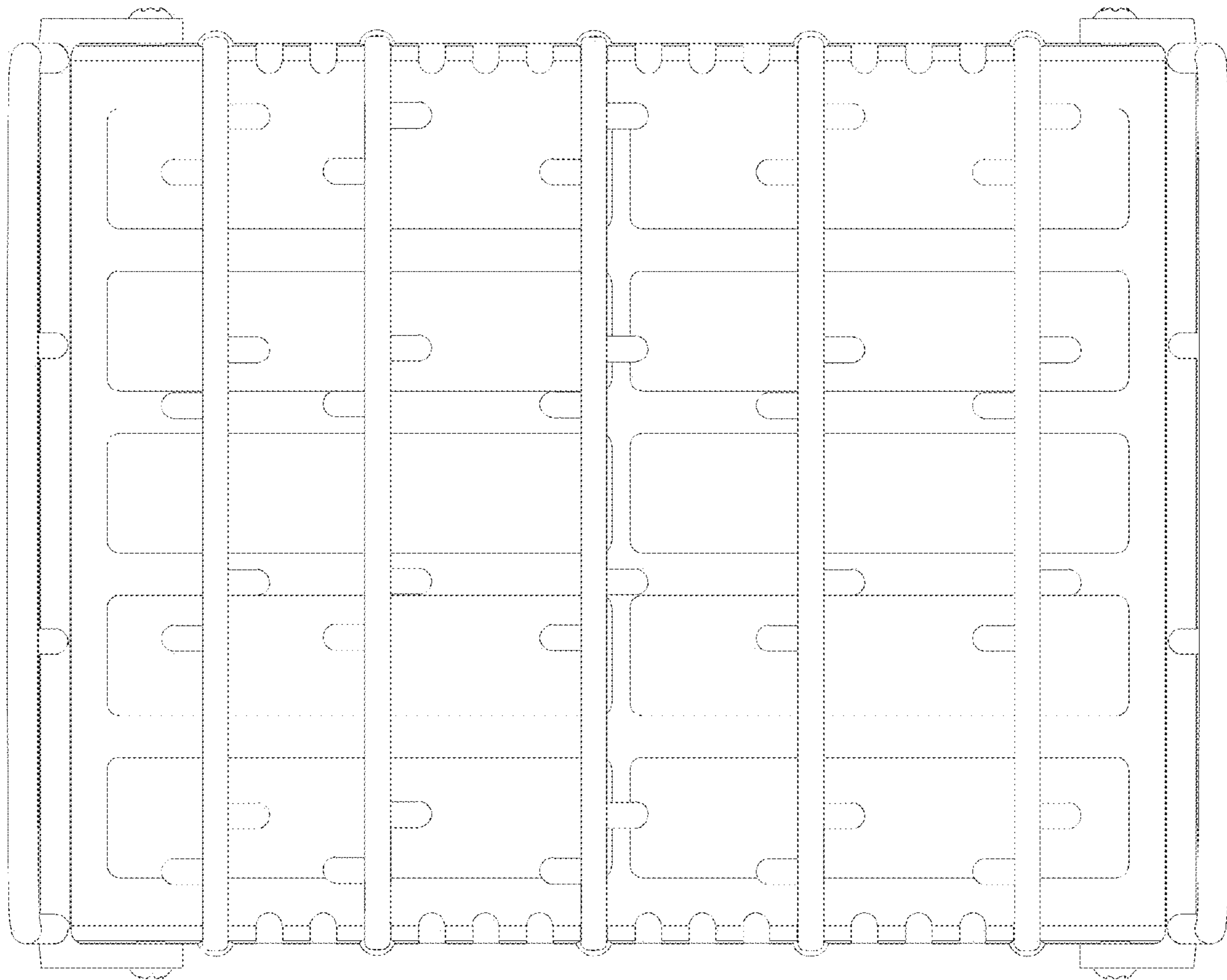


Fig. 4

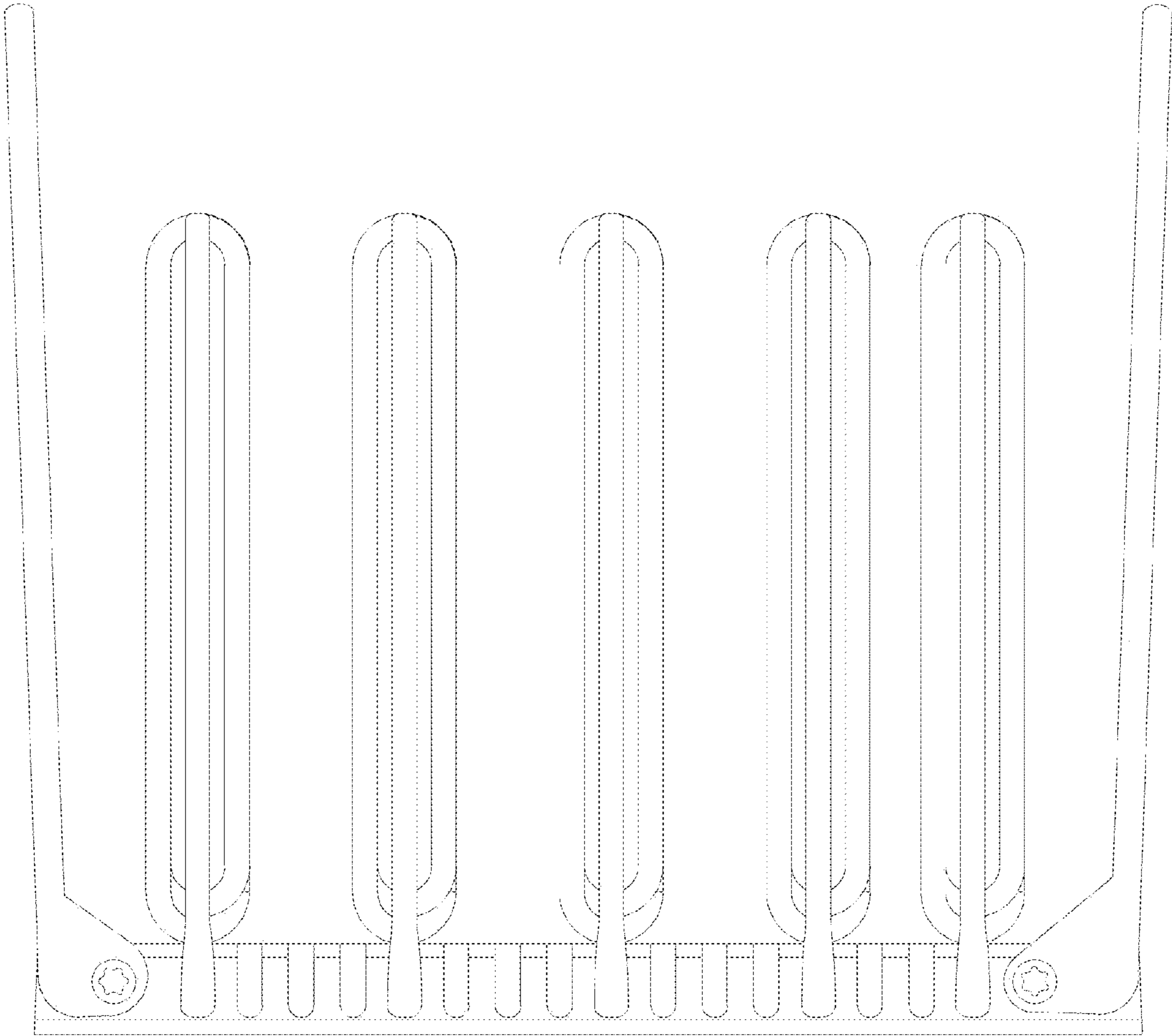


Fig. 5

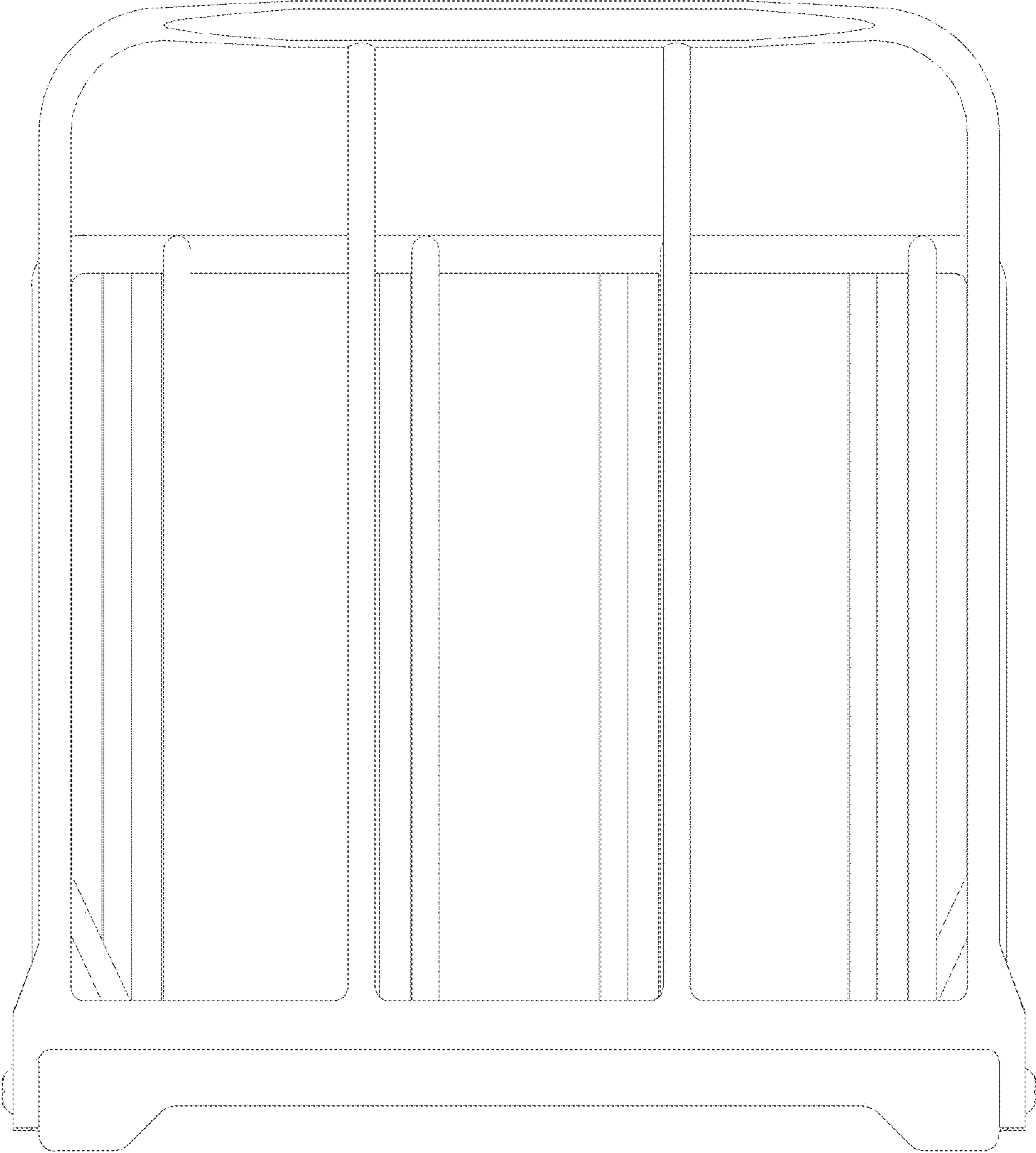


Fig. 6

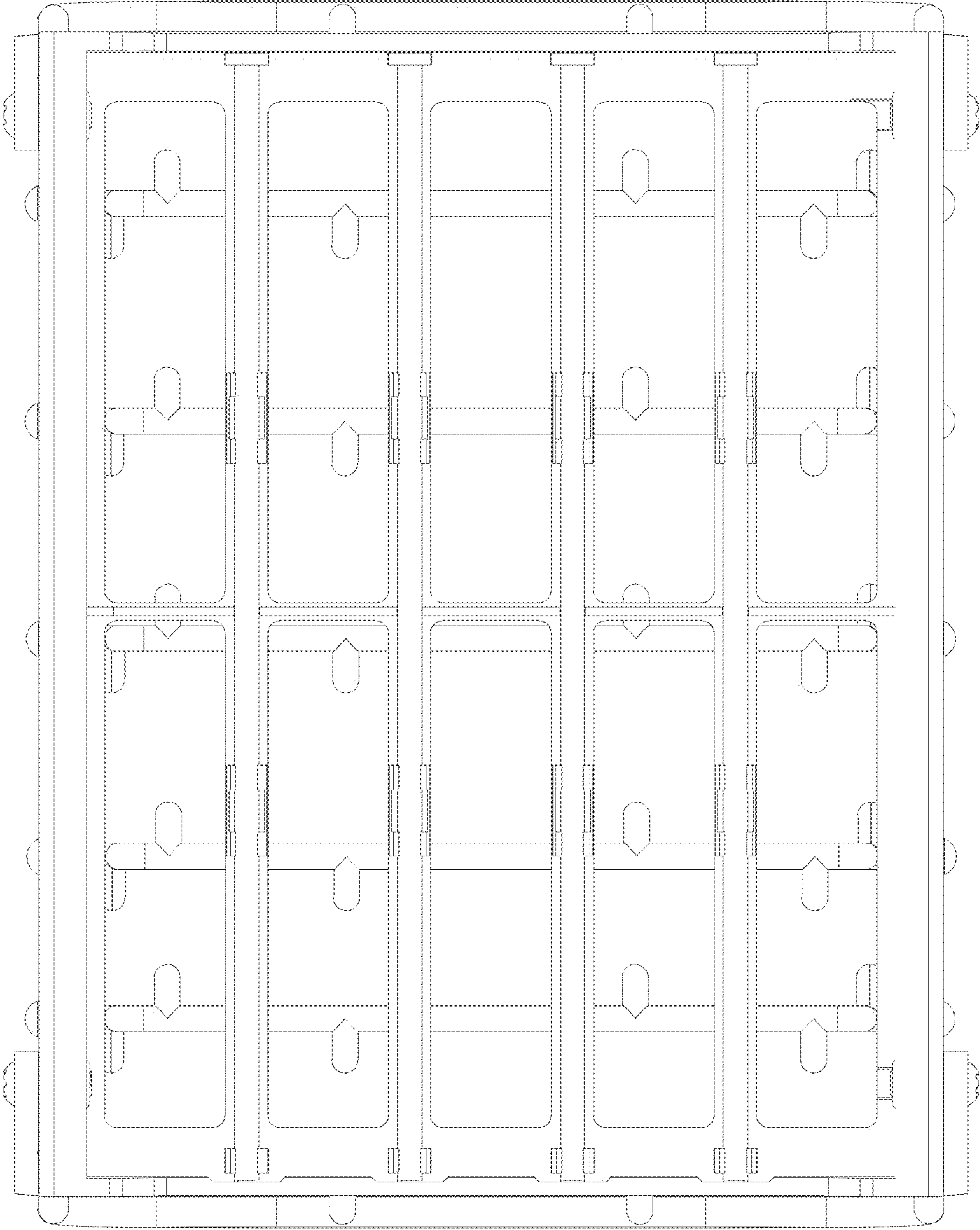


Fig. 7