



US00D924002S

(12) **United States Design Patent** (10) **Patent No.:** **US D924,002 S**  
**O'Shaughnessy et al.** (45) **Date of Patent:** **\*\* Jul. 6, 2021**

(54) **GRILL CART**

(71) Applicant: **OHC IP Holdings, LLC**, Eden Prairie, MN (US)

(72) Inventors: **Michael L. O'Shaughnessy**, Edina, MN (US); **James A. Mitlyng**, Minneapolis, MN (US); **Thomas E. McKinney, II**, Minnetonka, MN (US); **Cynthia O'Connor**, Minneapolis, MN (US); **Robb Whittlef**, Minneapolis, MN (US)

(73) Assignee: **OHC IP Holdings, LLC**, Eden Prairie, MN (US)

(\*\*) Term: **15 Years**

(21) Appl. No.: **29/695,973**

(22) Filed: **Jun. 24, 2019**

(51) **LOC (13) Cl.** ..... **07-02**

(52) **U.S. Cl.**  
USPC ..... **D7/405**

(58) **Field of Classification Search**  
USPC ..... D3/276, 294-296, 905; D6/336, 553, D6/656, 663, 691, 698, 699.2, 699.4, 702,  
(Continued)

(56) **References Cited**

**U.S. PATENT DOCUMENTS**

3,802,413 A 4/1974 Pepin  
4,211,206 A 7/1980 Darbo  
(Continued)

**FOREIGN PATENT DOCUMENTS**

CN 201005546 1/2008  
CN 202801180 3/2013  
(Continued)

**OTHER PUBLICATIONS**

Nationwide Marketing Group Announces Its Partnership With TYTUS Grills, first available Oct. 9, 2019, TytusGrills.com, [online], [site visited Nov. 27, 2020], Available from internet URL: <https://www.twice.com/retailing/nationwide-marketing-group-announces-its-partnership-with-tytus-grills> (Year: 2019).\*

(Continued)

*Primary Examiner* — Mary Ann Calabrese

*Assistant Examiner* — Natalya M Rapundalo

(74) *Attorney, Agent, or Firm* — Pauly, DeVries Smith & Deffner LLC

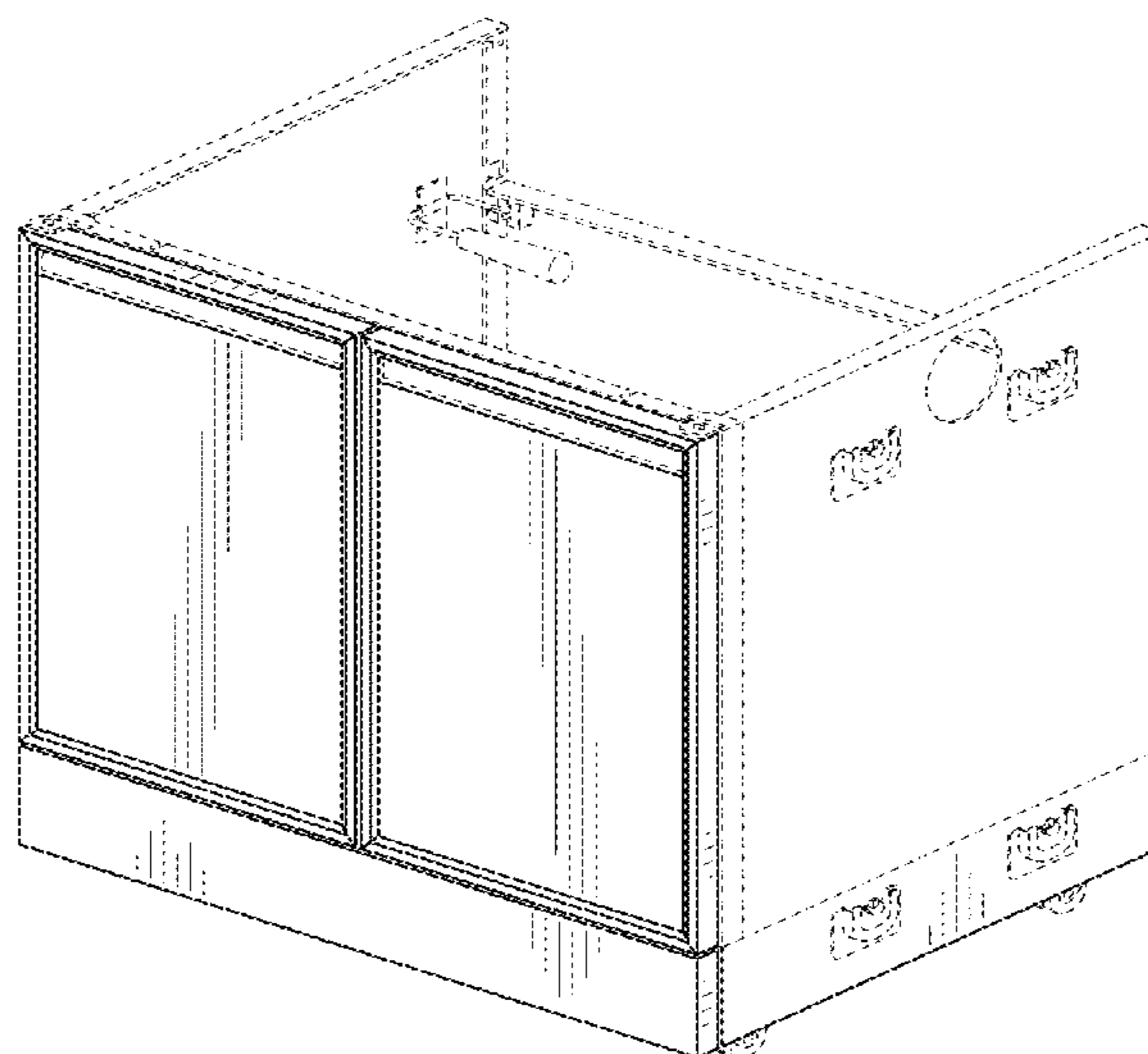
(57) **CLAIM**

The ornamental design for a grill cart, as shown and described.

**DESCRIPTION**

FIG. 1 is a front perspective view of a grill cart.  
FIG. 2 is a front view of the grill cart.  
FIG. 3 is a right side view of the grill cart.  
FIG. 4 is a left side view of the grill cart.  
FIG. 5 is a top view of the grill cart.  
FIG. 6 is a front perspective view of an alternate grill cart with a wood finish.  
FIG. 7 is a front view of the grill cart of FIG. 6.  
FIG. 8 is a right side view of the grill cart of FIG. 6.  
FIG. 9 is a left side view of the grill cart of FIG. 6.  
FIG. 10 is a top view of the grill cart of FIG. 6.  
FIG. 11 is a front perspective view of a further alternate grill cart with a stone finish.  
FIG. 12 is a front view of the grill cart of FIG. 11.  
FIG. 13 is a right side view of the grill cart of FIG. 11.  
FIG. 14 is a left side view of the grill cart of FIG. 11; and, FIG. 15 is a top view of the grill cart of FIG. 11.  
The broken lines in the drawings illustrate portions of the article that form no part of the claimed design. The back view and bottom view of the grill cart form no part of the claimed design.

**1 Claim, 9 Drawing Sheets**



(58) **Field of Classification Search**

USPC ..... D6/703; D7/332-339, 347, 352, 356,  
 D7/360, 362-366, 402-409; D23/314,  
 D23/332, 335, 339, 343, 345, 348, 415  
 CPC ..... A47B 2003/025; A47B 2003/0821; A47B  
 2003/0824; A47B 3/02; A47B 3/08; A47B  
 3/087; A47B 3/091; A47B 33/00; A47B  
 35/00; A47B 37/04; A47B 47/00; A47B  
 77/00; A47J 2201/00; A47J 2202/00;  
 A47J 27/00; A47J 33/00; A47J 36/00;  
 A47J 37/00; A47J 43/00; A47J 44/00;  
 F24B 1/00; F24B 3/00; F24B 5/00  
 See application file for complete search history.

9,817,108 B2 11/2017 Kuo et al.  
 D805,332 S \* 12/2017 Price ..... B62B 3/10  
 D6/699.2  
 D805,819 S \* 12/2017 Price ..... F24C 15/26  
 D6/699.2  
 D820,010 S \* 6/2018 Reyes ..... D6/663  
 10,689,018 B2 6/2020 Patton et al.  
 10,702,099 B2 7/2020 O'Shaughnessy et al.  
 10,772,466 B2 9/2020 O'Shaughnessy et al.  
 D899,176 S 10/2020 Lien  
 10,966,569 B2 4/2021 O'Shaughnessy et al.  
 2001/0015137 A1 8/2001 Ogrady et al.  
 2004/0020482 A1 2/2004 Chen  
 2004/0065313 A1 4/2004 Thompson  
 2006/0049725 A1 3/2006 Simon  
 2006/0225725 A1 10/2006 Rinaldo  
 2007/0089724 A1 4/2007 Home  
 2007/0152414 A1\* 7/2007 Home ..... B62B 3/10  
 280/47.35

(56) **References Cited**

U.S. PATENT DOCUMENTS

4,569,327 A 2/1986 Velten  
 4,577,772 A 3/1986 Bigliardi  
 4,887,836 A 12/1989 Simjian  
 4,949,701 A 8/1990 Krosch et al.  
 4,984,515 A 1/1991 Pivonka  
 5,040,809 A 8/1991 Yang  
 5,050,731 A 9/1991 Baynes et al.  
 5,065,734 A 11/1991 Elliott  
 5,261,550 A 11/1993 Karpisek  
 5,318,322 A 6/1994 Home  
 5,462,318 A 10/1995 Cooke  
 5,579,755 A 12/1996 Johnston  
 5,884,554 A 3/1999 Sprick  
 6,026,751 A 2/2000 Tsai  
 6,039,039 A 3/2000 Pina, Jr.  
 6,316,837 B1 11/2001 Song  
 6,401,953 B2 6/2002 Kofod  
 6,439,111 B1 8/2002 Lu  
 6,439,220 B1 8/2002 Johnson  
 6,439,221 B1 8/2002 Ward et al.  
 6,494,419 B2 12/2002 Pai  
 6,532,951 B1 3/2003 Sallie et al.  
 6,606,986 B2 8/2003 Holland et al.  
 6,619,600 B1 9/2003 Johnson et al.  
 D485,467 S 1/2004 Pai  
 D491,414 S 6/2004 Nichols et al.  
 6,792,880 B2 9/2004 Tsai  
 6,823,858 B1 11/2004 Chen  
 6,916,028 B2 7/2005 Shapiro  
 7,080,640 B2 7/2006 Sanders et al.  
 D533,011 S 12/2006 Pai  
 D541,576 S 5/2007 Lutz  
 D546,616 S 7/2007 Tseng  
 D546,624 S 7/2007 Pai  
 D547,108 S 7/2007 Tseng  
 D547,109 S 7/2007 Tseng  
 D549,035 S 8/2007 Chung  
 7,360,783 B2 4/2008 Home  
 D615,799 S 5/2010 Best et al.  
 D618,951 S 7/2010 Tzeng  
 7,753,047 B1 7/2010 Trammell  
 7,856,924 B1 12/2010 Stihl  
 8,042,829 B2 10/2011 Hailston et al.  
 8,316,837 B2 11/2012 Malumyan  
 8,347,874 B2 1/2013 Bruno et al.  
 8,479,928 B2 7/2013 Tanabe et al.  
 8,522,769 B2 9/2013 Ducate, Jr. et al.  
 8,602,017 B2 12/2013 May et al.  
 RE44,770 E 2/2014 Nichols et al.  
 8,839,780 B1 9/2014 Bennett et al.  
 D737,096 S 8/2015 Lee et al.  
 9,187,108 B2 11/2015 Bruno et al.  
 9,211,036 B2 12/2015 May et al.  
 9,316,401 B1 4/2016 Guste  
 9,392,904 B2 7/2016 Garman  
 D798,645 S 10/2017 Lira-Nunez et al.  
 9,783,216 B2 10/2017 Alden et al.  
 9,788,690 B2 10/2017 Rosian

2008/0066730 A1 3/2008 Ducate  
 2008/0245357 A1\* 10/2008 Meether ..... A47J 37/0786  
 126/25 R  
 2010/0031950 A1 2/2010 Paslawski  
 2010/0269814 A1 10/2010 May et al.  
 2010/0326938 A1 12/2010 Zhu et al.  
 2011/0025005 A1 2/2011 Howell  
 2011/0041831 A1 2/2011 Dettloff  
 2011/0168155 A1 7/2011 Gallo  
 2011/0168168 A1 7/2011 Schneider  
 2011/0168593 A1 7/2011 Neufeld et al.  
 2012/0012091 A1 1/2012 Home  
 2012/0017890 A1 1/2012 May et al.  
 2013/0049311 A1 2/2013 Metters et al.  
 2013/0112088 A1 5/2013 May  
 2013/0312732 A1 11/2013 Brennan  
 2014/0069412 A1 3/2014 Garman  
 2014/0090635 A1 4/2014 May  
 2014/0165992 A1 6/2014 May et al.  
 2014/0261394 A1 9/2014 Evans et al.  
 2015/0013667 A1 1/2015 Ho et al.  
 2015/0020796 A1 1/2015 Garman et al.  
 2015/0118006 A1 4/2015 Wallace-riley  
 2016/0305172 A1 10/2016 Grisendi  
 2017/0085114 A1 3/2017 Gao et al.  
 2017/0095114 A1 4/2017 O'shaughnessy et al.  
 2017/0143162 A1 5/2017 Olsen  
 2017/0159941 A1\* 6/2017 Kahler ..... F24C 15/26  
 2018/0008095 A1 1/2018 Bennett et al.  
 2018/0132660 A1 5/2018 Suchevids  
 2018/0141576 A1 5/2018 Leffler et al.  
 2018/0280677 A1 10/2018 Knight  
 2018/0290677 A1 10/2018 Patton et al.  
 2018/0310765 A1 11/2018 May et al.  
 2019/0380533 A1\* 12/2019 Lien ..... A47J 37/0704  
 2020/0000277 A1 1/2020 O'Shaughnessy et al.  
 2020/0000278 A1 1/2020 O'Shaughnessy et al.  
 2020/0000279 A1 1/2020 O'Shaughnessy et al.  
 2020/0000280 A1 1/2020 O'Shaughnessy et al.  
 2020/0000281 A1 1/2020 O'Shaughnessy et al.  
 2020/0000283 A1 1/2020 O'Shaughnessy et al.  
 2020/0390279 A1 12/2020 O'Shaughnessy et al.  
 2020/0391779 A1 12/2020 Patton et al.  
 2021/0045579 A1 2/2021 O'Shaughnessy et al.

FOREIGN PATENT DOCUMENTS

CN 202807780 3/2013  
 CN 104234616 12/2014  
 CN 204618011 9/2015  
 CN 205632566 10/2016  
 CN 107198467 9/2017  
 CN 305874918 6/2020  
 CN 305874919 6/2020  
 CN 305874920 6/2020  
 JP 2006223643 8/2006  
 KR 200173343 4/2000  
 KR 20050102437 10/2005  
 KR 20130000879 2/2013

(56)

## References Cited

## FOREIGN PATENT DOCUMENTS

TW	309958	7/1997
WO	2004054415	7/2004
WO	2004072539	8/2004
WO	2015089551	6/2015
WO	2016149408	11/2016
WO	2017095746	6/2017
WO	2017160338	9/2017
WO	2018183373	10/2018
WO	2020005946	1/2020
WO	2020005969	1/2020
WO	2020005972	1/2020
WO	2020005976	1/2020
WO	2020005978	1/2020
WO	2020005981	1/2020

## OTHER PUBLICATIONS

TYTUS TI404MGGLP Spec Sheet, first available 2020, AppliancesConnection.com, [online], [site visited Nov. 27, 2020], Available from internet URL: <https://static.appliancesconnection.com/attachments/D5f524932e12f6.pdf> (Year: 2020).\*

TYTUS TI400SSBLP341 Spec Sheet, first available 2020, AppliancesConnection.com, [online], [site visited Nov. 27, 2020], Available from internet URL: <https://static.appliancesconnection.com/attachments/D5f524e4ae6c38.pdf> (Year: 2020).\*

TYTUS TI400MWLP Spec Sheet, first available 2020, SamsClub.com, [online], [site visited Nov. 27, 2020], Available from internet URL: <https://content.syndigo.com/asset/9f3410f8-d6c3-48c1-a02c-f5bdbb9f989b/original.pdf> (Year: 2020).\*

TYTUS User Manual 4-Burner Gas Grill and 4-Burner Island Gas Grill with Side Cabinets, first available 2020, TytusGrills.com, [online], [site visited Dec. 1, 2020], Available from internet URL: <https://tytusgrills.com/pages/manualsanddocuments> (Year: 2020).\*

TYTUS Grills, first available 2020, TytusGrills.com, [online], [site visited Dec. 1, 2020], Available from internet URL: <https://tytusgrills.com/collections/grills> (Year: 2020).\*

TYTUS Charcoal Grey Stainless Steel 4 Burner Free Standing Grill, first available 2020, TytusGrills.com, [online], [site visited Nov. 27, 2020], Available from internet URL: <https://tytusgrills.com/collections/grills/products/tytus-charcoal-grey-stainless-steel-4-burner-free-standing-grill> (Year: 2020).\*

“Final Office Action,” for U.S. Appl. No. 15/262,733 dated Sep. 5, 2019 (14 pages).

“International Preliminary Report on Patentability,” for PCT Application No. PCT/US2018/024628 dated Oct. 10, 2019 (13 pages).

“International Search Report and Written Opinion,” for PCT Application No. PCT/US2019/038993 dated Oct. 15, 2019 (13 pages).

“International Search Report and Written Opinion,” for PCT Application No. PCT/US2019/039024 dated Oct. 15, 2019 (14 pages).

“International Search Report and Written Opinion,” for PCT Application No. PCT/US2019/039027 dated Oct. 15, 2019 (13 pages).

“International Search Report and Written Opinion,” for PCT Application No. PCT/US2019/039034 dated Oct. 15, 2019 (12 pages).

“International Search Report and Written Opinion,” for PCT Application No. PCT/US2019/039039 dated Oct. 16, 2019 (14 pages).

“International Search Report and Written Opinion,” for PCT Application No. PCT/US2019/039042 dated Oct. 16, 2019 (13 pages).

“Non-Final Office Action,” for U.S. Appl. No. 16/450,303 dated Oct. 24, 2019 (19 pages).

“Non-Final Office Action,” for U.S. Appl. No. 16/450,541 dated Oct. 1, 2019 (21 pages).

“Second Office Action,” for Chinese Patent Application No. 201610876505.3 dated Aug. 29, 2019 (4 pages) with English Translation.

“Sunco Outdoor Kitchen,” Mar. 16, 2018 URL <<https://www.sunco.com.au/shop/bbqs/sc100-xspec-four-burner-outdoor-kitchen/>> (3 pages).

“Brown Jordan Outdoor Kitchens,” by Denver Stainless Outdoor Kitchens information booklet, Apr. 2018 (28 pages).

Colon, Linda M. “Denver’s Post and Panel System is a Hit with Architects, Builders, Developers & Designers,” Denver Outdoor Kitchens Jun. 1, 2018 (2 pages).

File History for U.S. Appl. No. 15/262,733 downloaded Aug. 23, 2019 (326 pages).

File History for U.S. Appl. No. 15/937,666 downloaded Aug. 23, 2019 (201 pages).

“First Office Action,” for Chinese Patent Application No. 20110876505.3 dated Dec. 18, 2018 (14 pages) with English Translation.

“International Preliminary Report on Patentability,” for PCT Application No. PCT/US2016/051319 dated Sep. 27, 2018 (11 pages).

“International Search Report and Written Opinion,” for PCT Application No. PCT/US2016/051319 dated Dec. 8, 2016 (14 pages).

“International Search Report and Written Opinion,” for PCT Application No. PCT/US2018/024628 dated Jul. 11, 2018 (16 pages).

“Modular Outdoor Kitchen,” Char-Broil Medallion Series Outdoor Kitchen information retrieved from <https://www.charbroil.com/grills/modular-outdoor-kitchen> on Aug. 8, 2019 (4 pages).

“Origami Kitchen Island Cart with Wheels,” Description and Product Specs at least as early as Aug. 9, 2019 (5 pages).

“Traeger Wood Pellet Grills,” Product Listing found on [www.traegergrills.com](http://www.traegergrills.com) at least as early as Aug. 9, 2019 (4 pages).

“Char-Broil Modular Outdoor Kitchen,” Char Broil webpage Apr. 29, 2019, retrieved on Aug. 8, 2019, <https://www.charbroil.com/grills/outdoor-kitchens/modular-outdoor-kitchen> (4 pages).

“Denver’s Post and Panel System,” Denver webpage Jun. 1, 2018, retrieved on Aug. 8, 2019, <https://denver.com/blog/post-and-panel-system/> (2 pages).

“Final Office Action,” for U.S. Appl. No. 16/450,541 dated Feb. 5, 2020 (19 pages).

“Non-Final Office Action,” for U.S. Appl. No. 15/262,733 dated Jan. 8, 2020 (18 pages).

“Notice of Allowance,” for U.S. Appl. No. 15/937,666 dated Feb. 18, 2020 (14 pages).

“Notice of Allowance,” for U.S. Appl. No. 16/450,303 dated Feb. 14, 2020 (13 pages).

“Notice of Allowance,” for U.S. Appl. No. 16/450,541 dated May 14, 2020 (12 pages).

“Origami Carts and Racks,” Origami webpage Apr. 20, 2016, retrieved on Dec. 9, 2019 via [web.archive.org](http://web.archive.org), <https://origamirack.com>, 5 pages.

“Response to Final Office Action,” for U.S. Appl. No. 15/262,733, filed Dec. 5, 2019 (11 pages).

“Response to Final Office Action,” for U.S. Appl. No. 16/450,541, filed May 5, 2020 (7 pages).

“Response to Non Final Office Action,” for U.S. Appl. No. 16/450,541, filed Dec. 30, 2019 (16 pages).

“Third Office Action,” for Chinese Patent Application No. 201610876505.3 dated Mar. 19, 2020 (8 pages) with English Translation.

“Traeger Wood Pellet Grills,” Traeger Grills webpage Apr. 7, 2006, retrieved on Dec. 9, 2019 via [web.archive.org](http://web.archive.org), <https://www.traegergrills.com> (2 pages).

“Ex Parte Quayle Action,” for U.S. Appl. No. 29/695,966, mailed Dec. 11, 2020 (23 pages).

“Ex Parte Quayle Action,” for U.S. Appl. No. 29/695,976 mailed Dec. 11, 2020 (24 pages).

“Fourth Office Action,” for Chinese Patent Application No. 201610876505.3 dated Sep. 30, 2020 (11 pages) with English Summary.

Morgan, Grant “Nationwide Marketing Group Announces Its Partnership with Tytus Grills,” first available online Oct. 9, 2019, TytusGrills.com, [online], [site visited Nov. 27, 2020], available from internet URL: <https://www.twice.com/retailing/nationwide-marketing-group-announces-its-partnership-with-tytus-grills> (year: 2019).

“Non-Final Office Action,” for U.S. Appl. No. 16/450,356 dated Nov. 18, 2020 (31 pages).

“Non-Final Office Action,” for U.S. Appl. No. 16/450,493 dated Nov. 2, 2020 (26 pages).

“Non-Final Office Action,” for U.S. Appl. No. 16/450,510 dated Dec. 14, 2020 (32 pages).

(56)

**References Cited**

## OTHER PUBLICATIONS

“Notice of Allowance,” for U.S. Appl. No. 16/450,388 dated Dec. 1, 2020 (27 pages).

“TYTUS Charcoal Grey Stainless Steel 4 Burner Free Standing Grill,” first available 2020, TytusGrills.com, [online], [site visited Nov. 27, 2020], Available from internet URL: <https://tytusgrills.com/collections/grills/products/tytus-charcoal-grey-stainless-steel-4-burner-free-standing-grill> (Year: 2020), 5 pages.

“TYTUS Grills,” first available 2020, TytusGrills.com, [online], [site visited Dec. 1, 2020], Available from internet URL: <https://tytusgrills.com/collections/grills> (Year: 2020), 3 pages.

“TYTUS TI404MGGLP Spec Sheet,” first available 2020, AppliancesConnection.com, [online], [site visited Nov. 27, 2020], Available from internet URL: <https://static.appliancesconnection.com/attachments/D5f524932e12f6.pdf> (Year: 2020), 2 pages.

“TYTUS TI400MWLP Spec Sheet,” first available 2020, SamsClub.com, [online], [site visited Nov. 27, 2020], Available from internet URL: <https://content.syndigo.com/asset/9f3410f8-d6c3-48c1-a02c-f5bdbb9f989b/original.pdf> (Year: 2020), 2 pages.

“TYTUS TI400SSBLP341 Spec Sheet,” first available 2020, AppliancesConnection.com, [online], [site visited Nov. 27, 2020], Available from internet URL: <https://static.appliancesconnection.com/attachments/D5f524e4ae6c38.pdf> (Year: 2020), 2 pages.

“TYTUS User Manual 4-Burner Gas Grill and 4-Burner Island Gas Grill with Side Cabinets,” first available 2020, TytusGrills.com, [online], [site visited Dec. 1, 2020], Available from internet URL: <https://tytusgrills.com/pages/manualsanddocuments> (Year: 2020), 60 pages).

“International Preliminary Report on Patentability,” for PCT Application No. PCT/US2019/038993 dated Jan. 7, 2021 (9 pages).

“International Preliminary Report on Patentability,” for PCT Application No. PCT/US2019/039024 dated Jan. 7, 2021 (10 pages).

“International Preliminary Report on Patentability,” for PCT Application No. PCT/US2019/039027 dated Jan. 7, 2021 (9 pages).

“International Preliminary Report on Patentability,” for PCT Application No. PCT/US2019/039034 dated Jan. 7, 2021 (8 pages).

“International Preliminary Report on Patentability,” for PCT Application No. PCT/US2019/039039 dated Jan. 7, 2021 (10 pages).

“International Preliminary Report on Patentability,” for PCT Application No. PCT/US2019/039042 dated Jan. 7, 2021 (9 pages).

“Response to Non Final Office Action,” for U.S. Appl. No. 16/450,493, filed Feb. 2, 2021 (11 pages).

“Notice of Allowance,” for U.S. Appl. No. 29/695,969, dated Mar. 24, 2021 (18 pages).

“Notice of Allowance,” for U.S. Appl. No. 29/695,976, dated Mar. 8, 2021 (16 pages).

“Notice of Allowance,” for U.S. Appl. No. 16/450,356, dated Feb. 26, 2021 (17 pages).

“Notice of Allowance,” for U.S. Appl. No. 16/450,493, dated Feb. 12, 2021 (21 pages).

“Notice of Allowance,” for U.S. Appl. No. 16/450,510, dated Mar. 22, 2021 (18 pages).

“Notice of Allowance,” for U.S. Appl. No. 29/695,966, dated Mar. 1, 2021 (14 pages).

“Response after Ex Parte Quayle Action,” for U.S. Appl. No. 29/695,966, filed Feb. 9, 2021 (4 pages).

“Response after Ex Parte Quayle Action,” for U.S. Appl. No. 29/695,976, filed Feb. 9, 2021 (4 pages).

“Response to Non Final Office Action,” for U.S. Appl. No. 16/450,356, filed Feb. 17, 2021 (11 pages).

“Response to Non Final Office Action,” for U.S. Appl. No. 16/450,510, filed Mar. 12, 2021 (11 pages).

\* cited by examiner

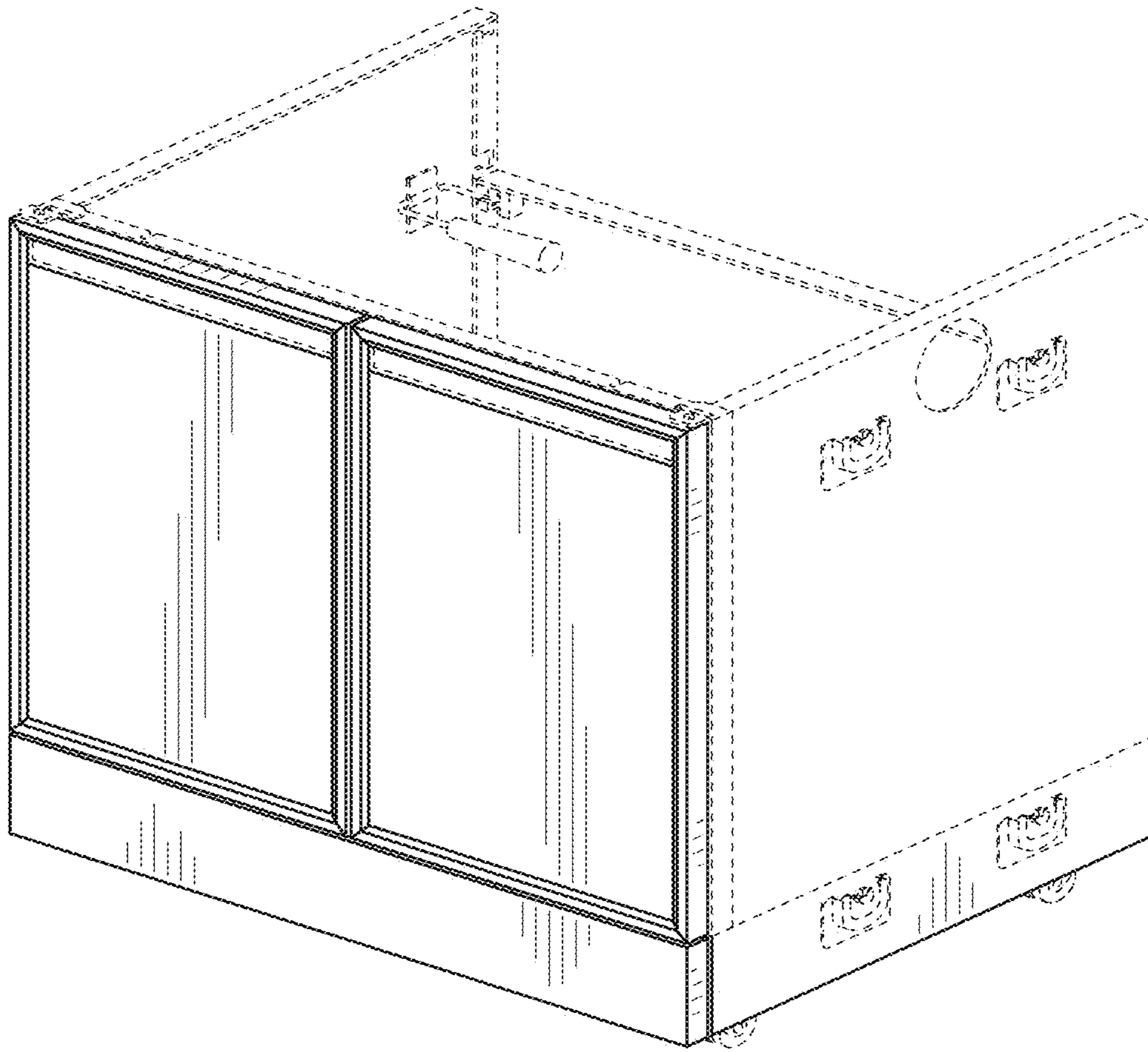


FIG. 1

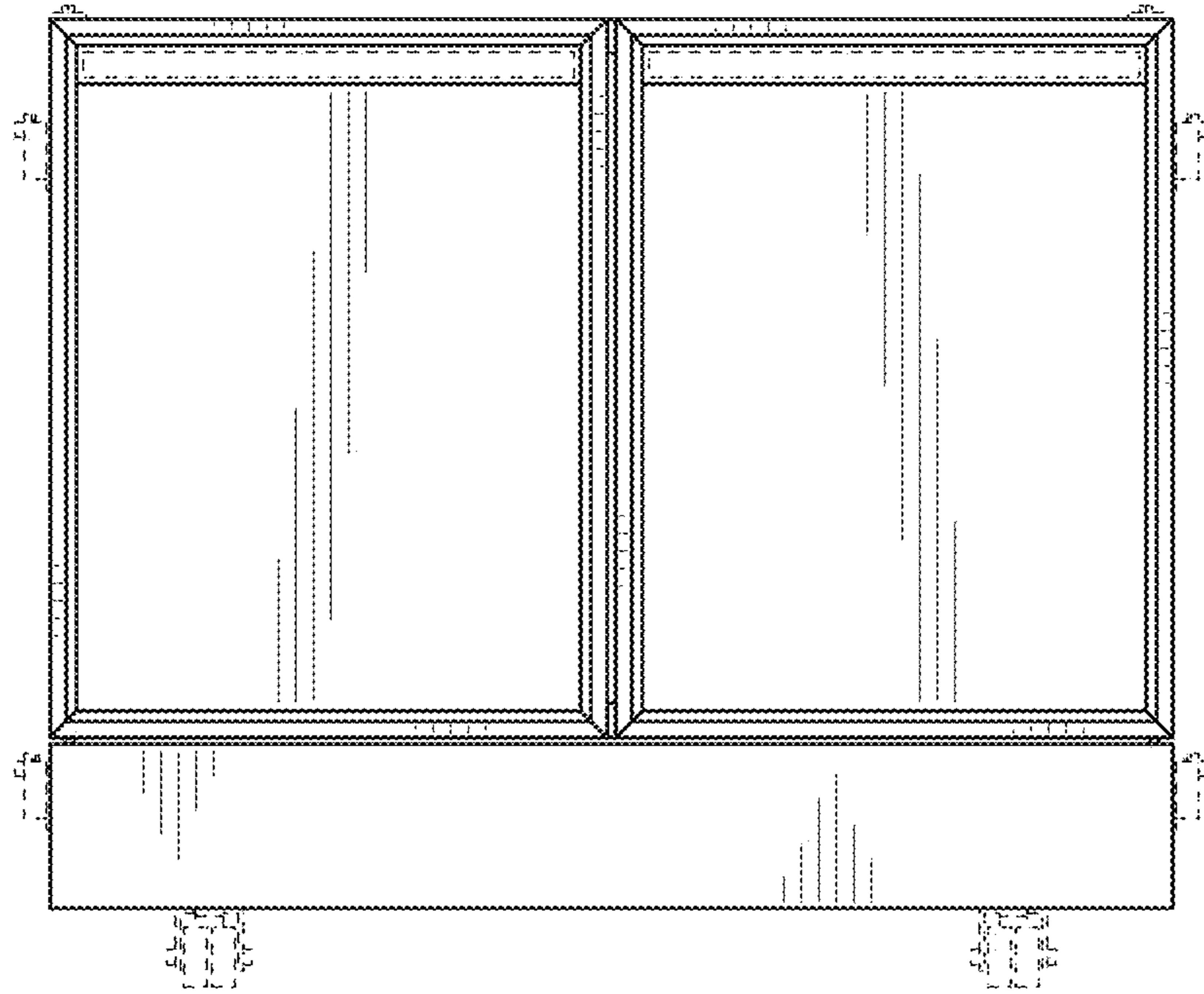


FIG. 2

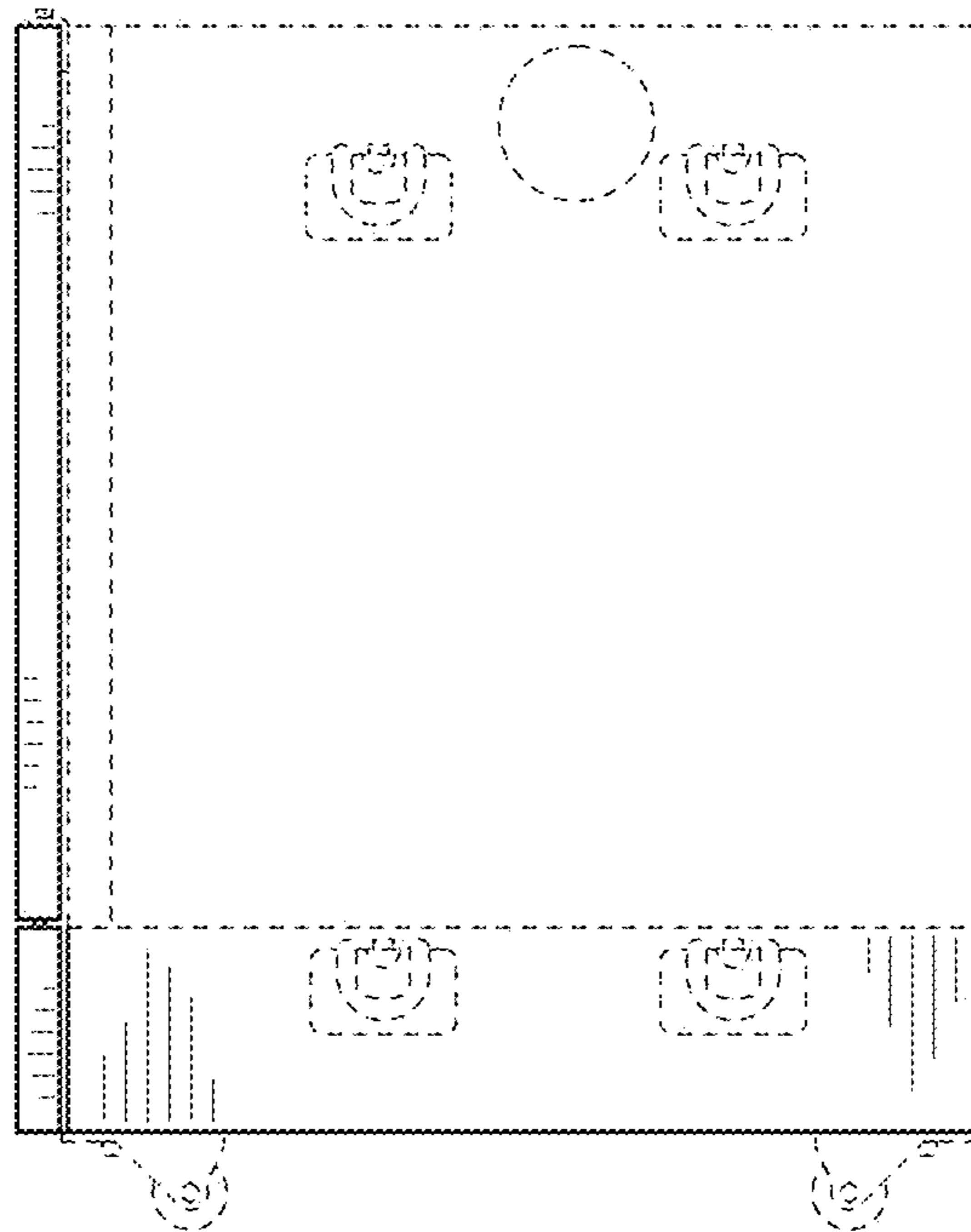


FIG. 3

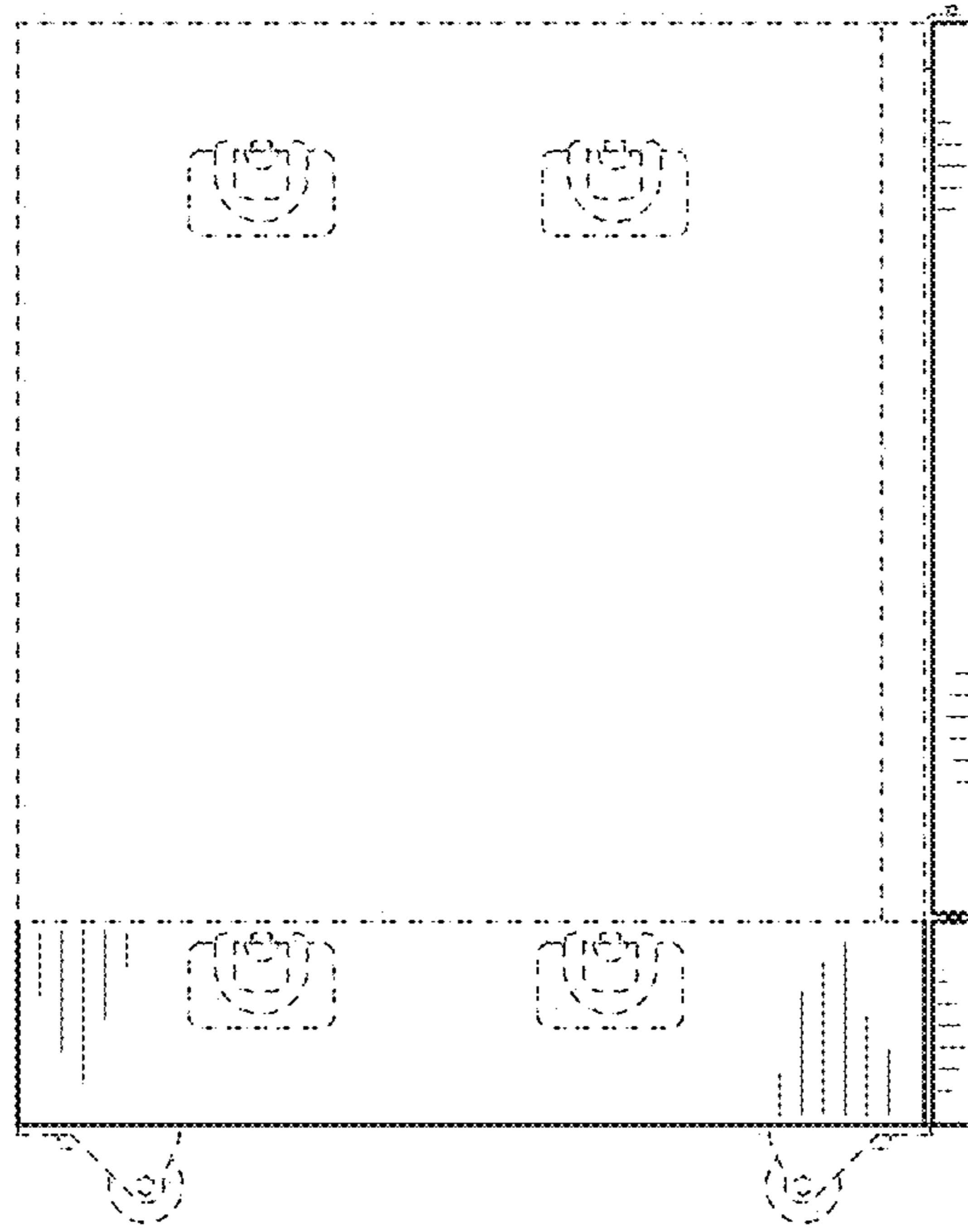


FIG. 4

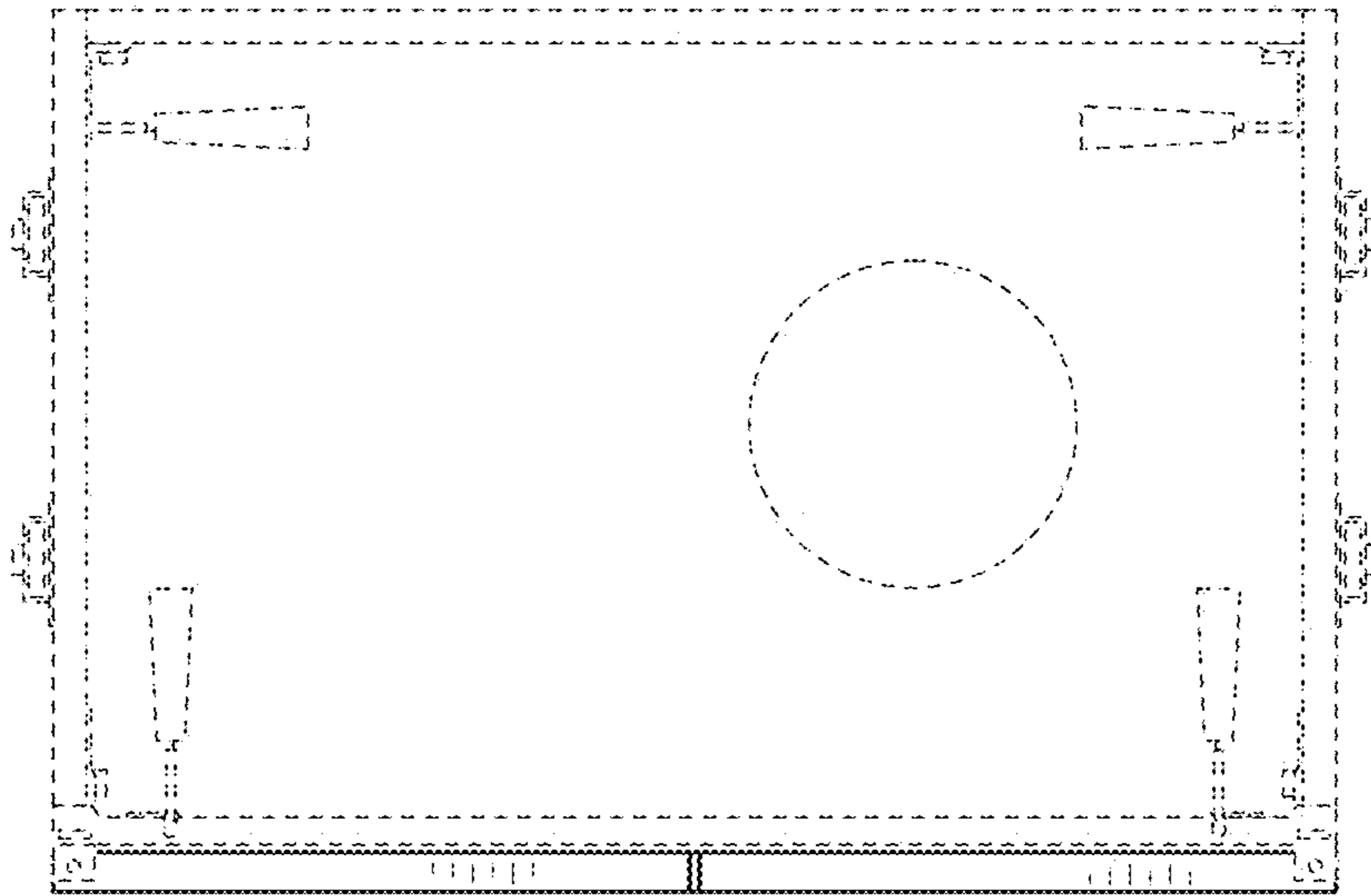


FIG. 5

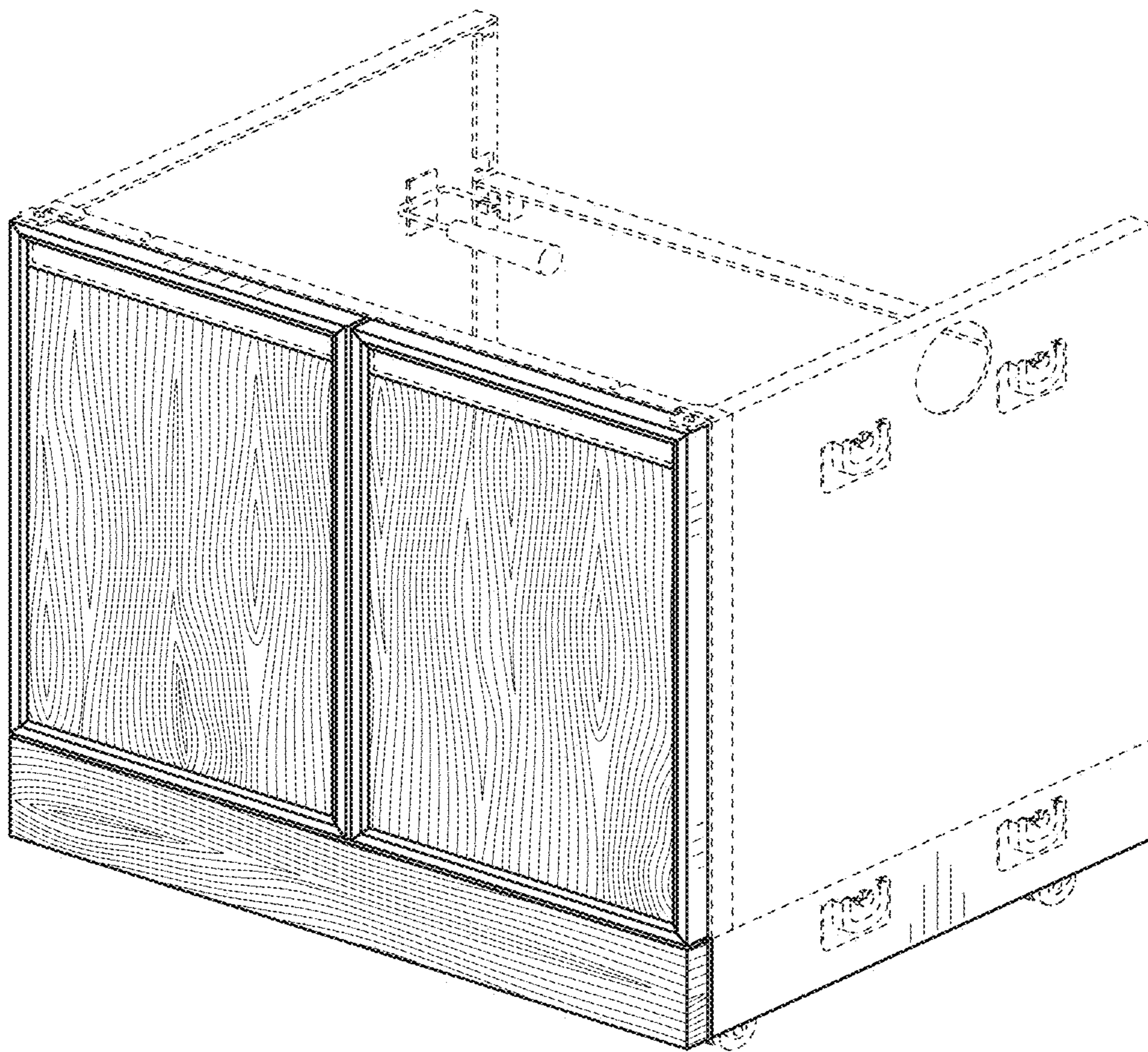


FIG. 6



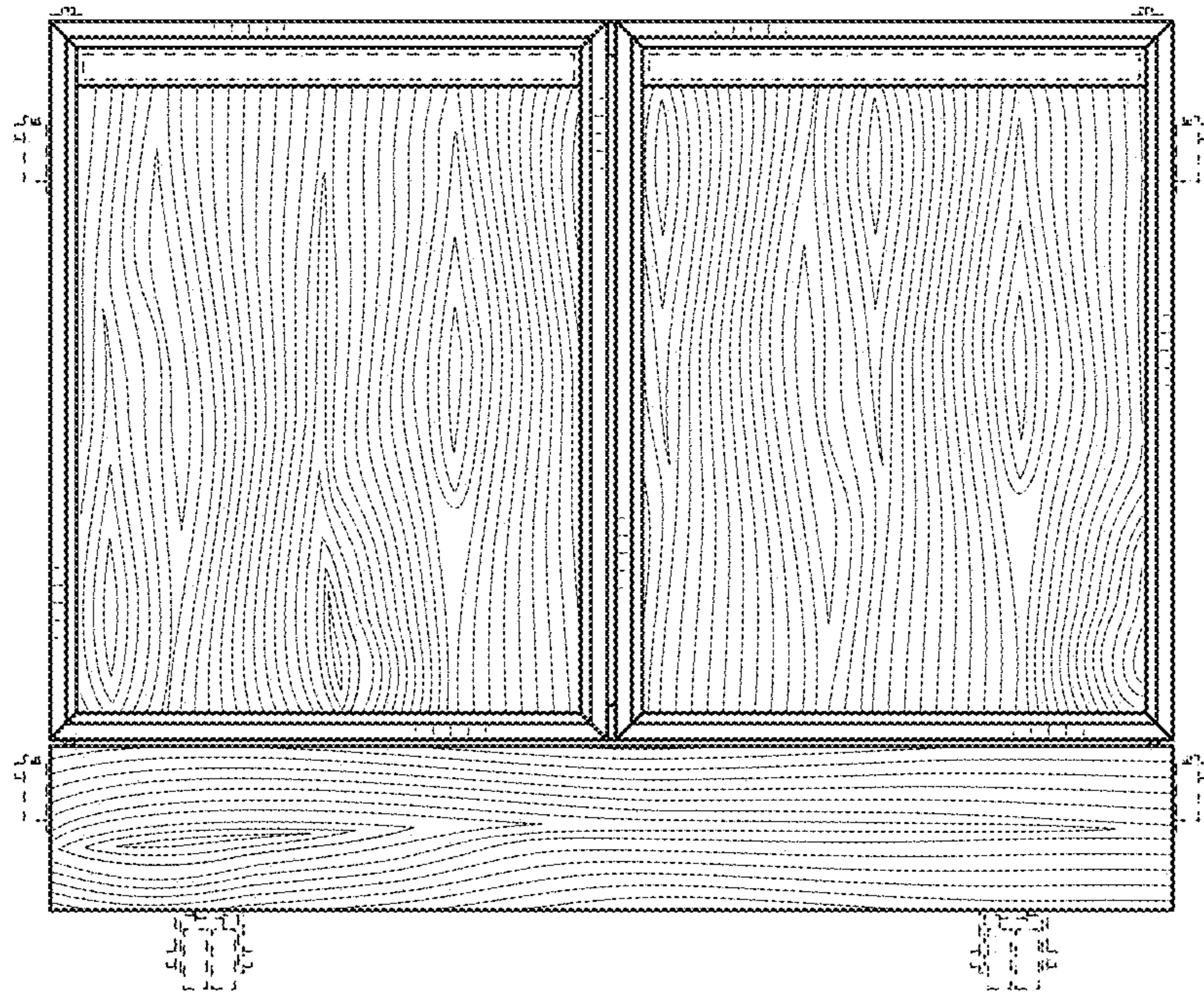


FIG. 7

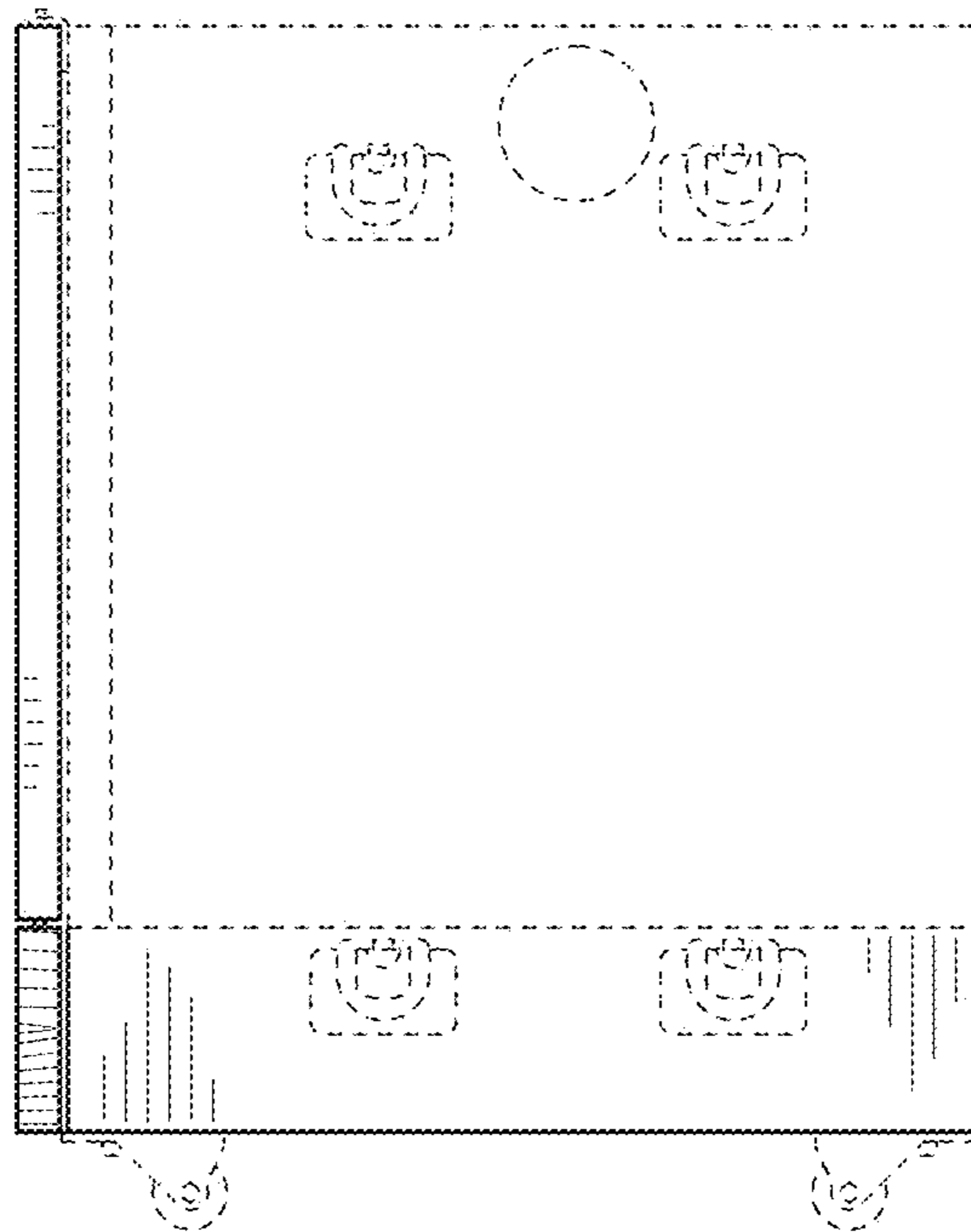


FIG. 8

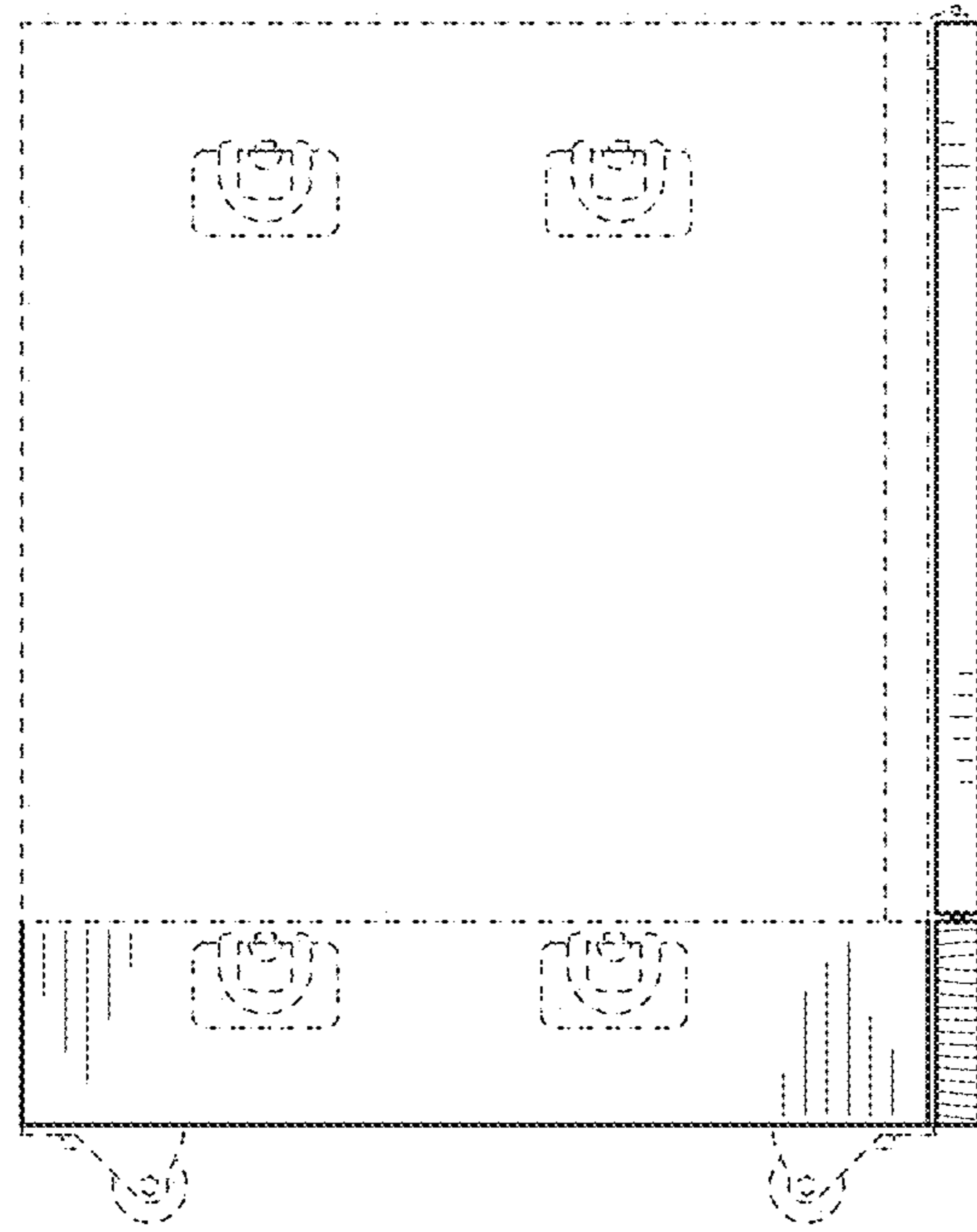


FIG. 9

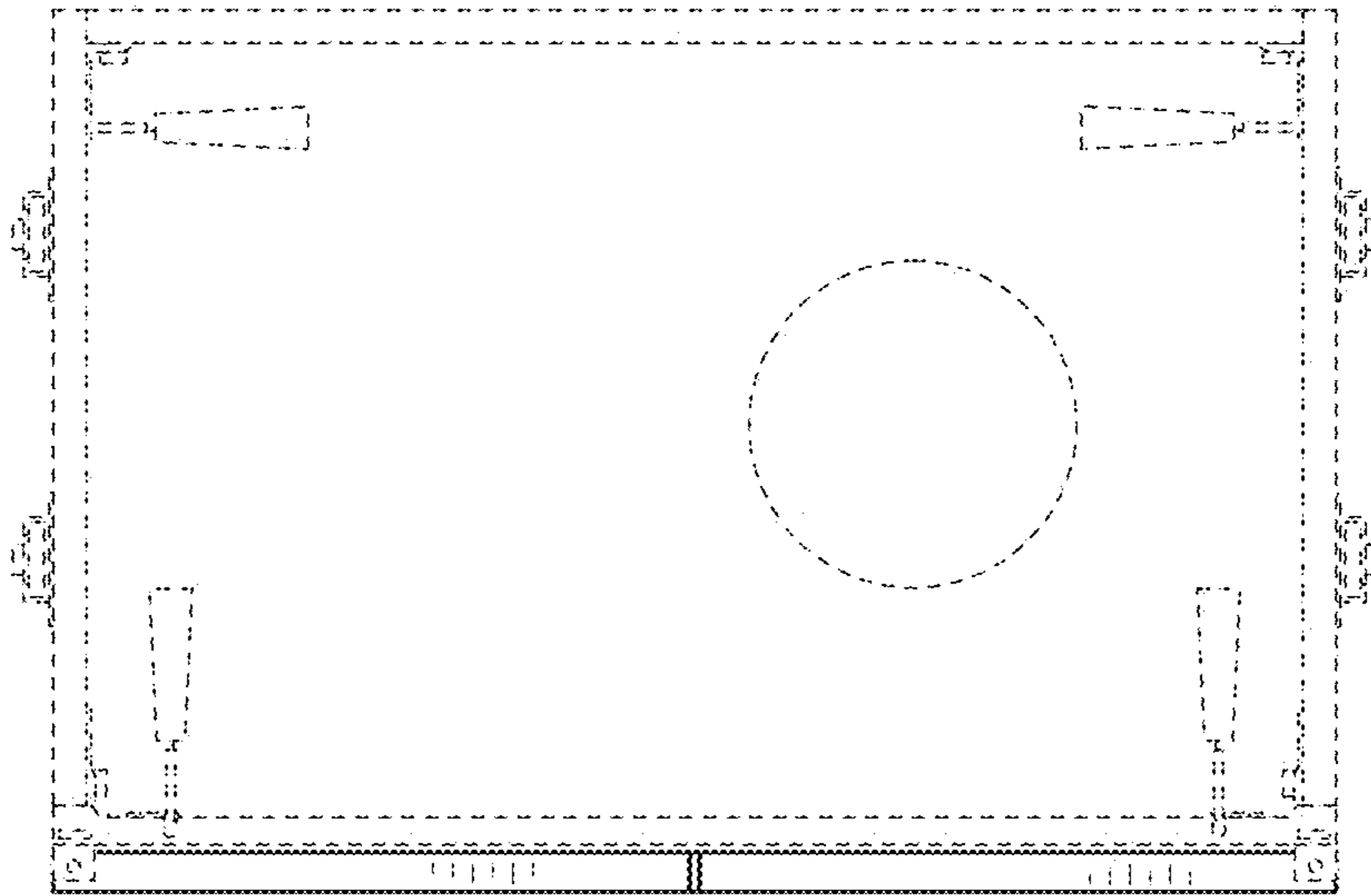


FIG. 10

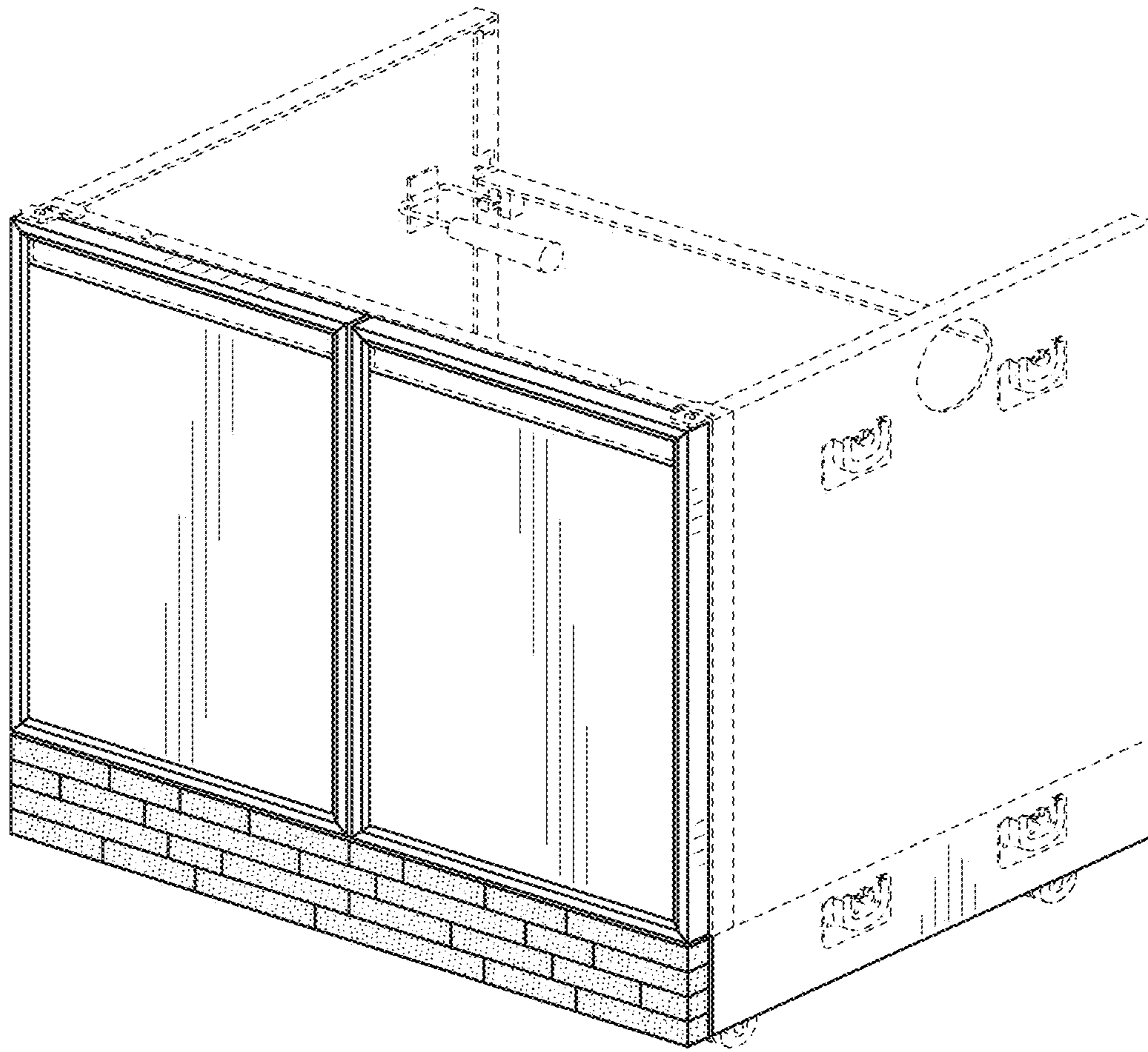


FIG. 11

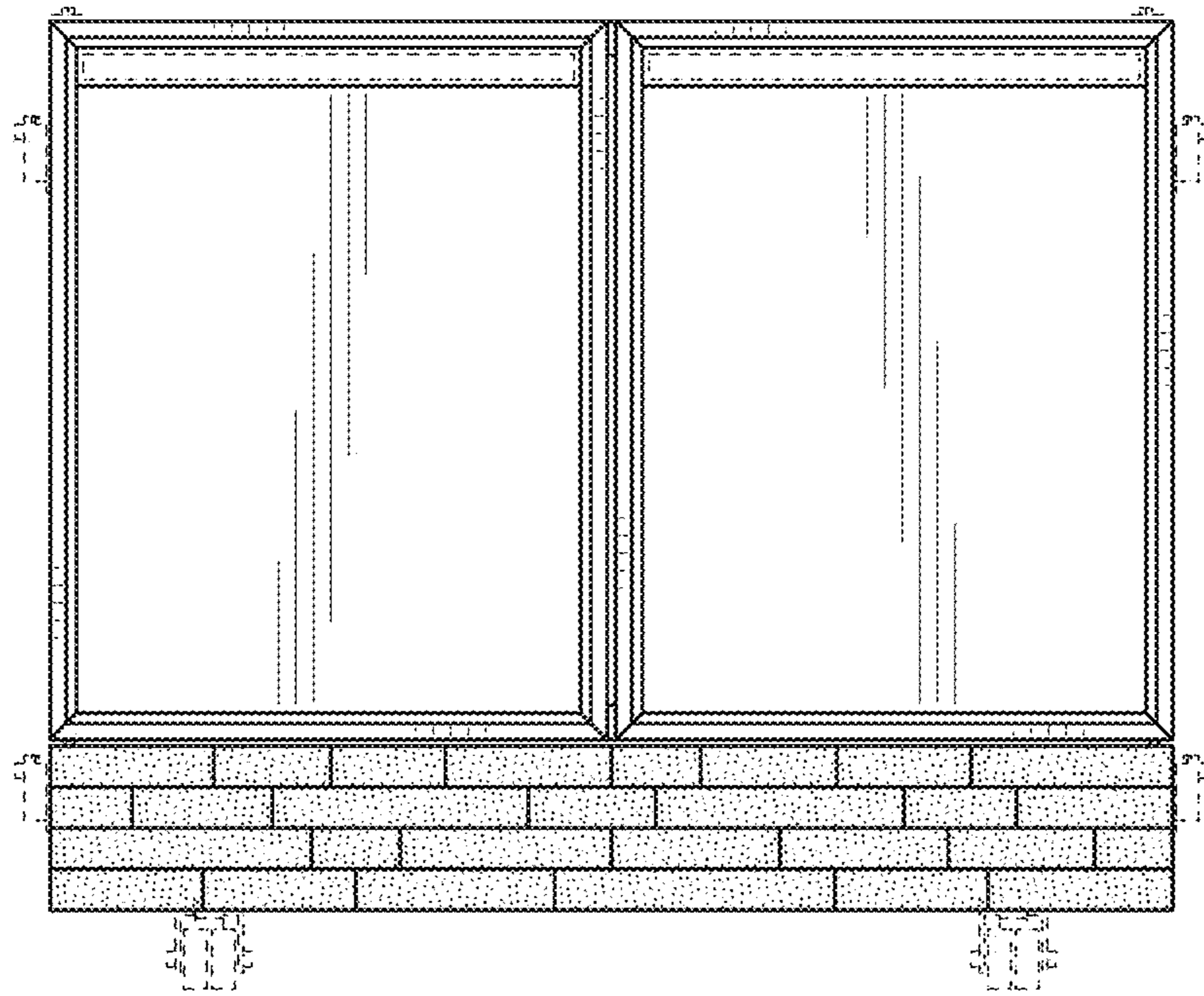


FIG. 12

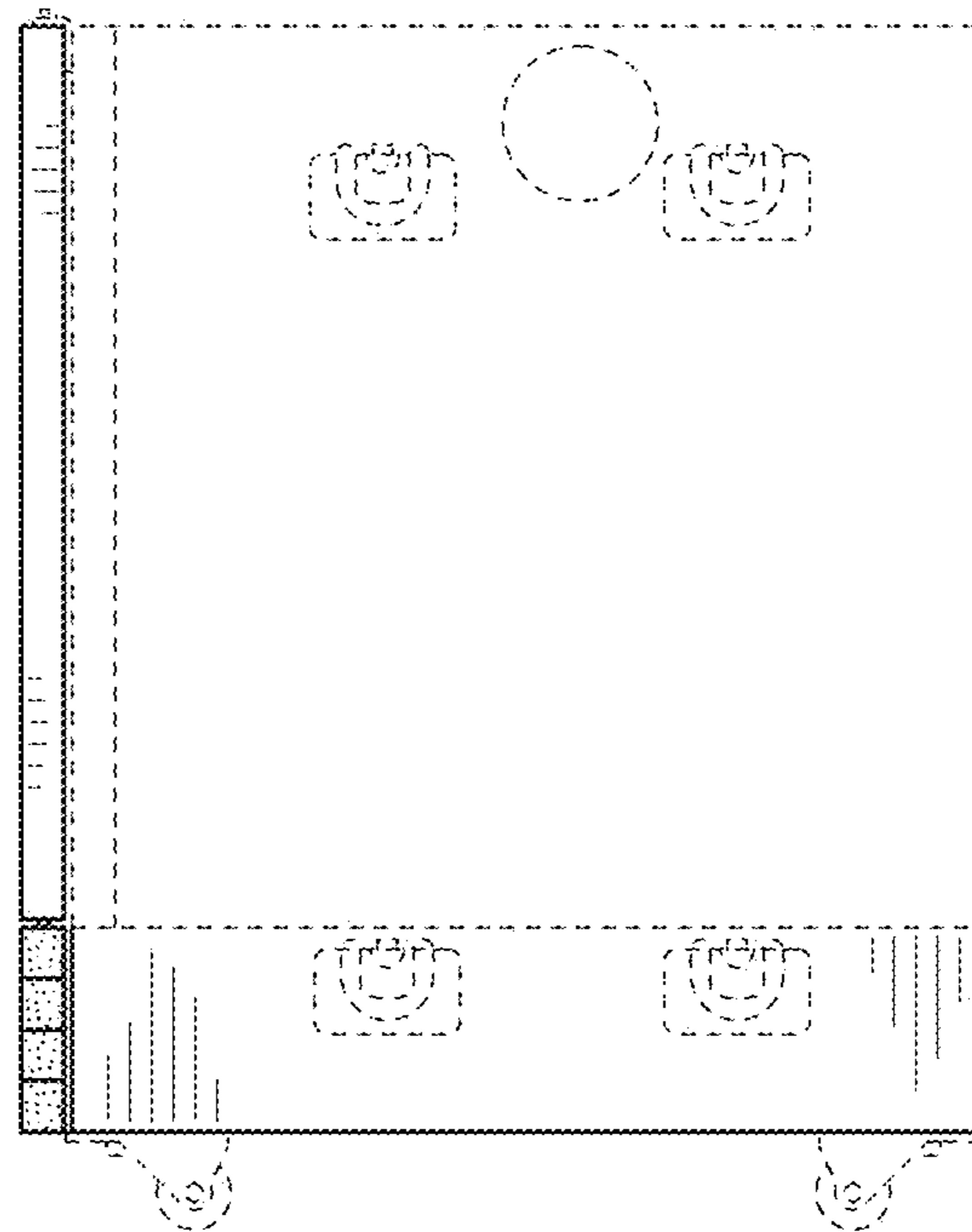


FIG. 13

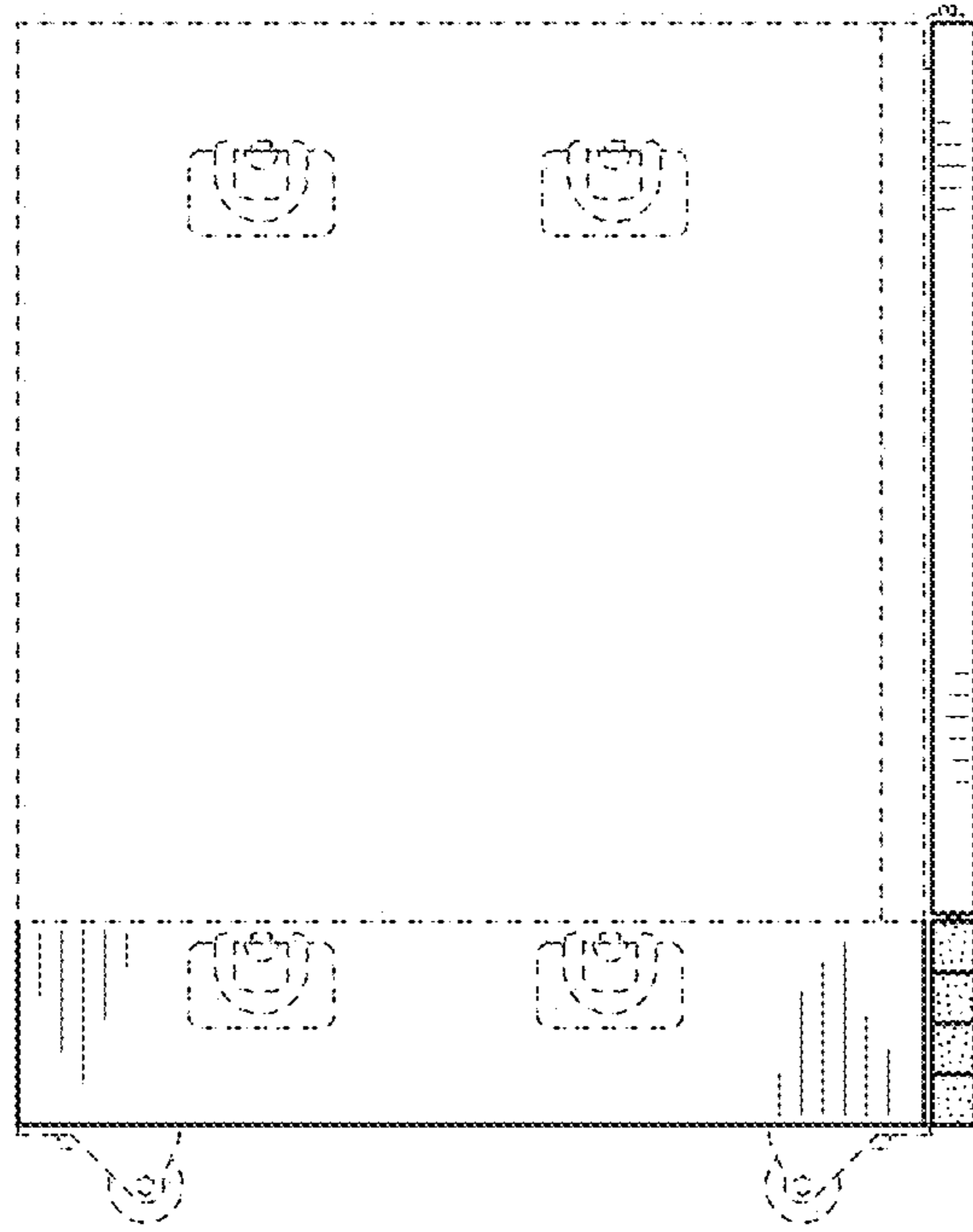


FIG. 14

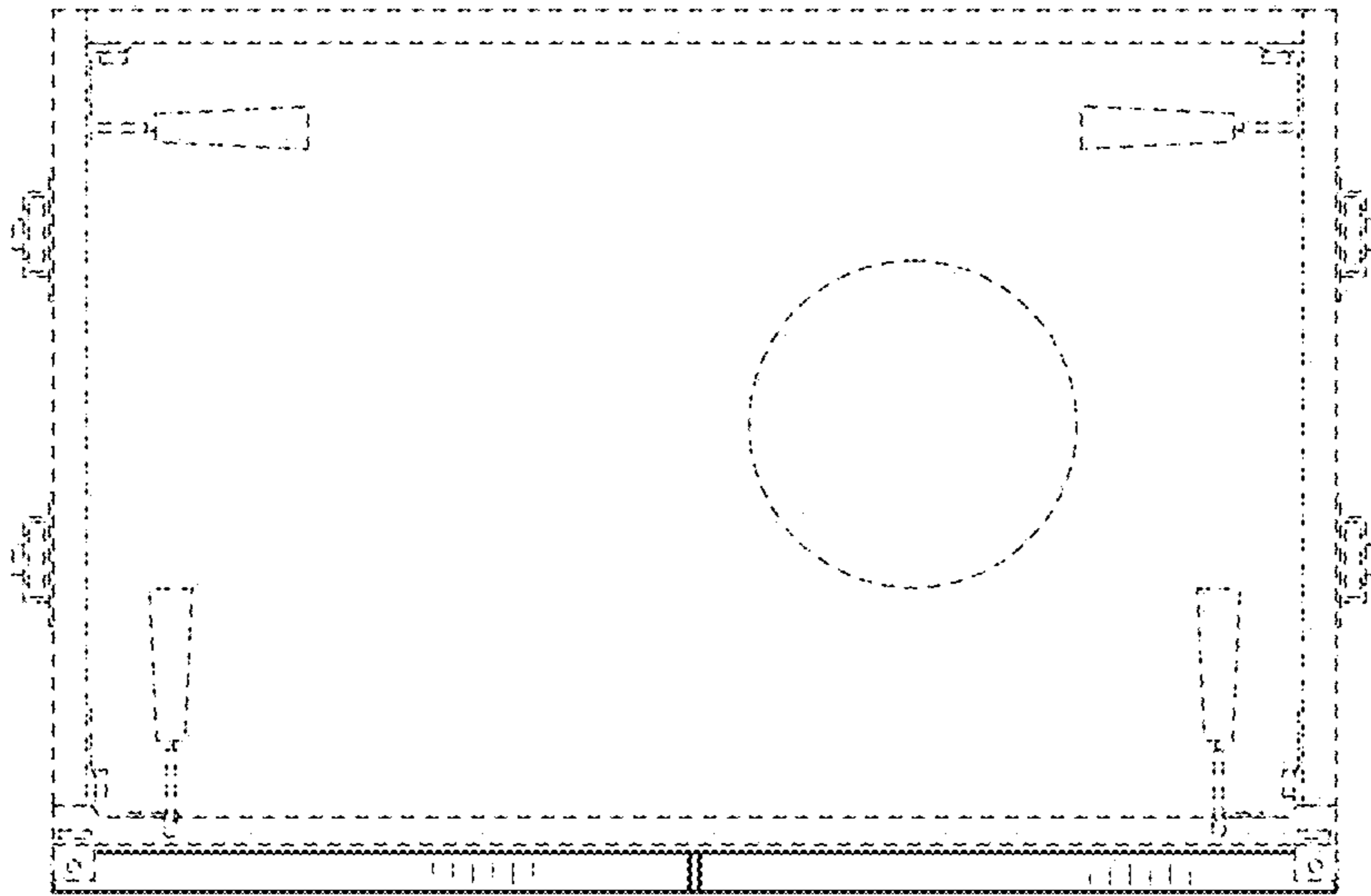


FIG. 15