



US00D924001S

(12) **United States Design Patent** (10) **Patent No.:** **US D924,001 S**
Shields (45) **Date of Patent:** **** Jul. 6, 2021**

(54) **LID**
(71) Applicant: **The Coleman Company, Inc.,** Wichita, KS (US)
(72) Inventor: **Patrick Kevin Shields,** Grand Rapids, MI (US)
(73) Assignee: **The Coleman Company, Inc.,** Wichita, KS (US)

D747,651 S * 1/2016 Hawry D9/449
D747,918 S * 1/2016 Herbst D7/392.1
D791,532 S * 7/2017 Yao D7/392.1
D793,804 S * 8/2017 Herbst D7/392.1
D820,637 S * 6/2018 Davis D7/392.1
D865,441 S * 11/2019 Lowette D7/392
2007/0196542 A1* 8/2007 Rathbone B65D 25/2897
426/106
2017/0144809 A1* 5/2017 Sorensen A45F 3/18
2020/0071027 A1* 3/2020 Lane B65D 47/088

(**) Term: **15 Years**

(21) Appl. No.: **29/708,265**

(22) Filed: **Oct. 4, 2019**

(51) **LOC (13) Cl.** **07-99**

(52) **U.S. Cl.**
USPC **D7/396.2**

(58) **Field of Classification Search**
USPC D3/200, 201, 202, 203.1, 203.2, 318,
D3/320; D7/509, 510, 511, 601, 602,
D7/624.1, 678, 679, 372, 387, 391, 392,
D7/392.1, 396.1, 396.2, 397, 398;
D9/428, 434, 435, 436, 439, 440, 443,
D9/447, 449, 450, 454, 455
CPC B65D 81/261; B65D 21/0217; B65D
21/0223; B65D 25/04; B65D 25/24;
B65D 43/0204; B65D 65/466; B65D
85/30; B65D 85/70; B65D 2543/00092;
B65D 2543/00296; B65D 2543/00361;
B65D 2543/00416; B65D 2543/00574;
B65D 47/122; B65D 47/066; B65D
1/0223; B65D 1/02; A47J 47/145; A47G
19/2211; A47G 19/2216; A47G 19/22;
A47G 2019/2238

See application file for complete search history.

(56) **References Cited**

U.S. PATENT DOCUMENTS

D641,241 S * 7/2011 Goto D9/449
D739,183 S * 9/2015 Lane D7/605

OTHER PUBLICATIONS

Coleman Switch SS: Announced Feb. 17, 2020. Site visited Nov. 17, 2020 [online]. Available from Internet URL: https://www.coleman.com/camp-kitchen/drinkware/switch-ss/COL_2038485.html.*

* cited by examiner

Primary Examiner — Catherine S Posthauer
(74) *Attorney, Agent, or Firm* — Husch Blackwell LLP

(57) **CLAIM**

I claim the ornamental design for a lid, as shown and described.

DESCRIPTION

FIG. 1 is a perspective view of a lid according to my new design;
FIG. 2 is a top plan view thereof;
FIG. 3 is a right side elevation view thereof;
FIG. 4 is a front elevation view thereof;
FIG. 5 is a left side elevation view thereof; and,
FIG. 6 is a rear elevation view thereof.
The broken lines are shown for the purpose of illustrating parts of the article that form no part of the claimed design.

1 Claim, 4 Drawing Sheets

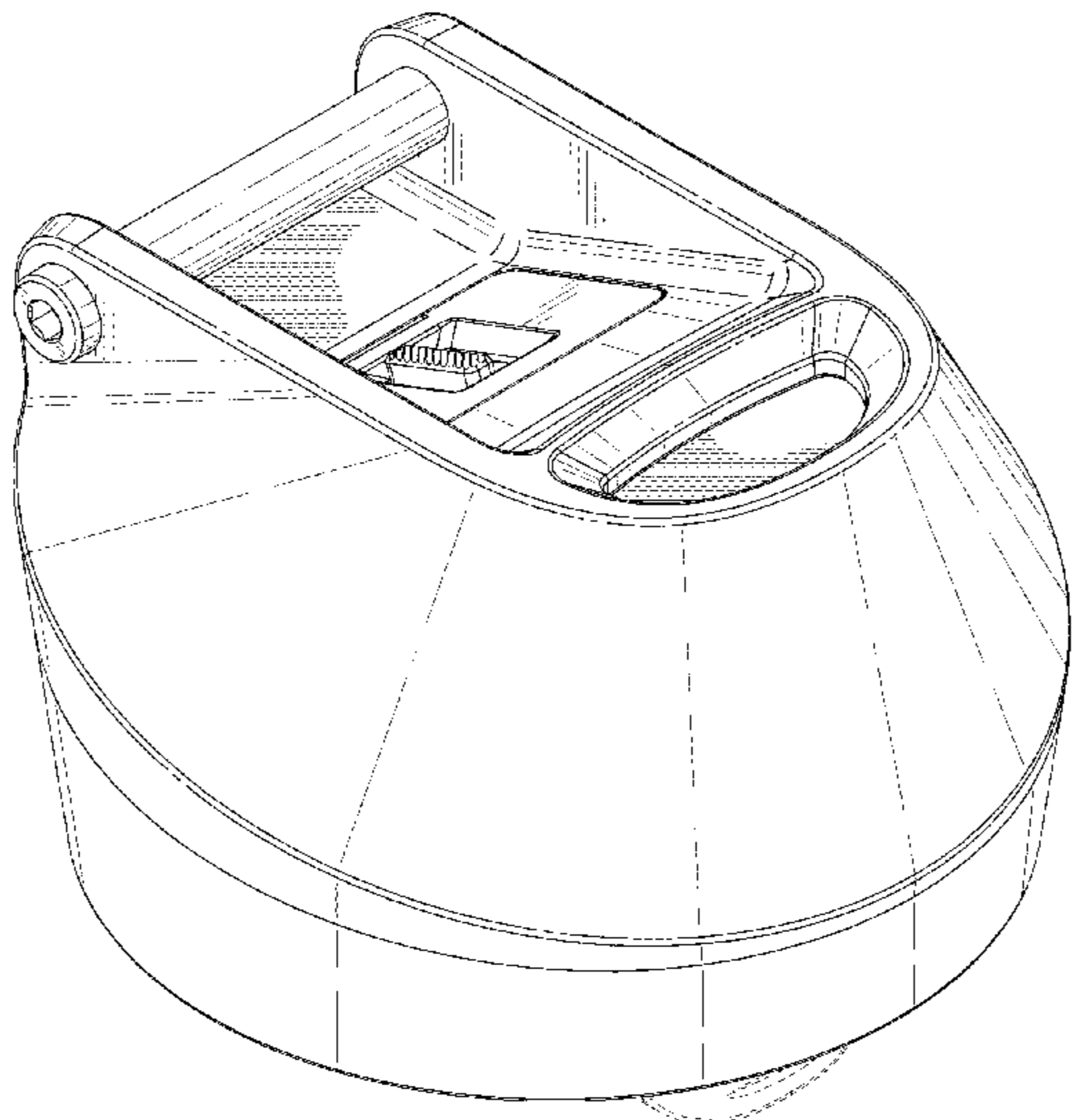


FIG. 1

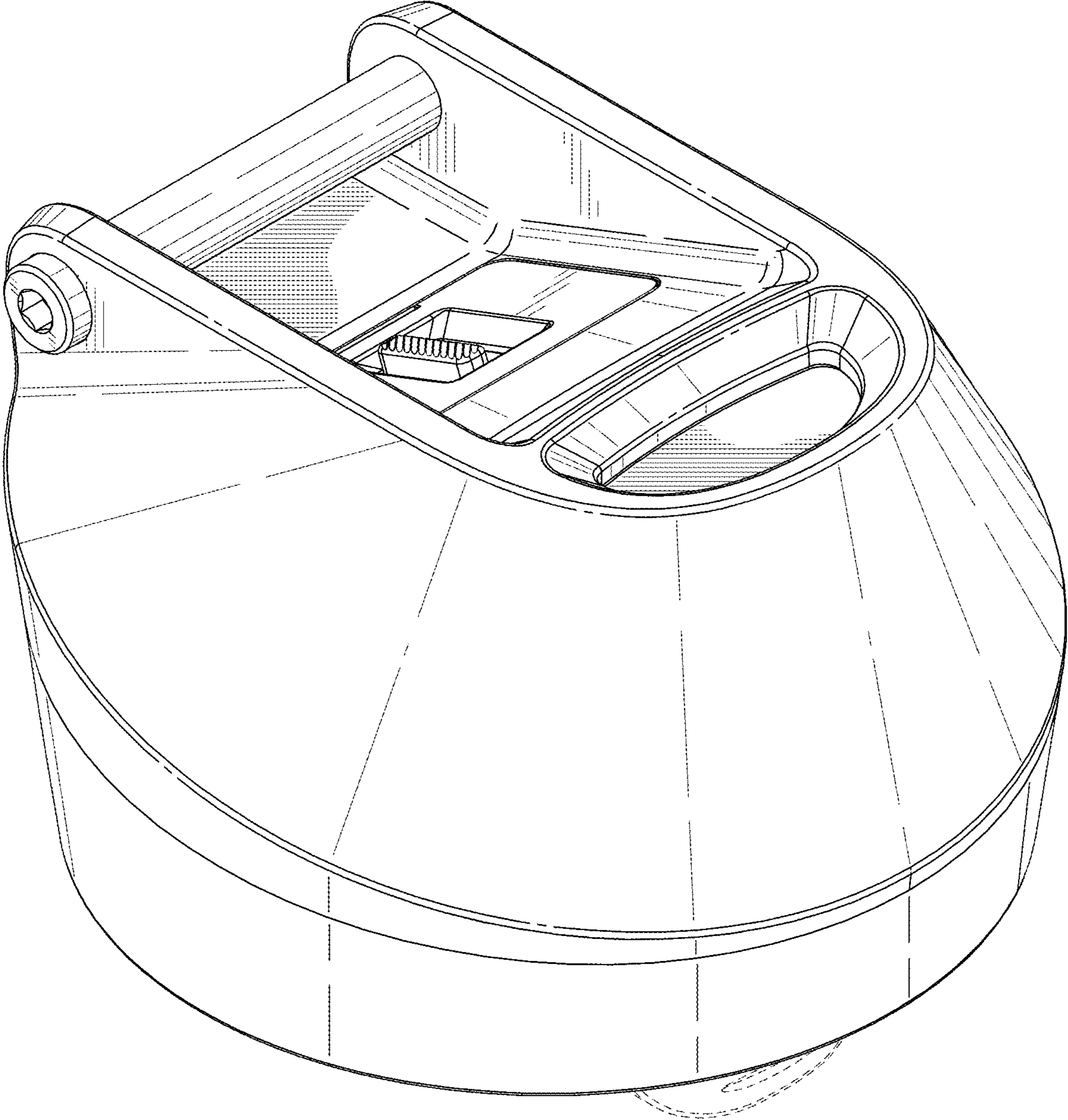


FIG. 2

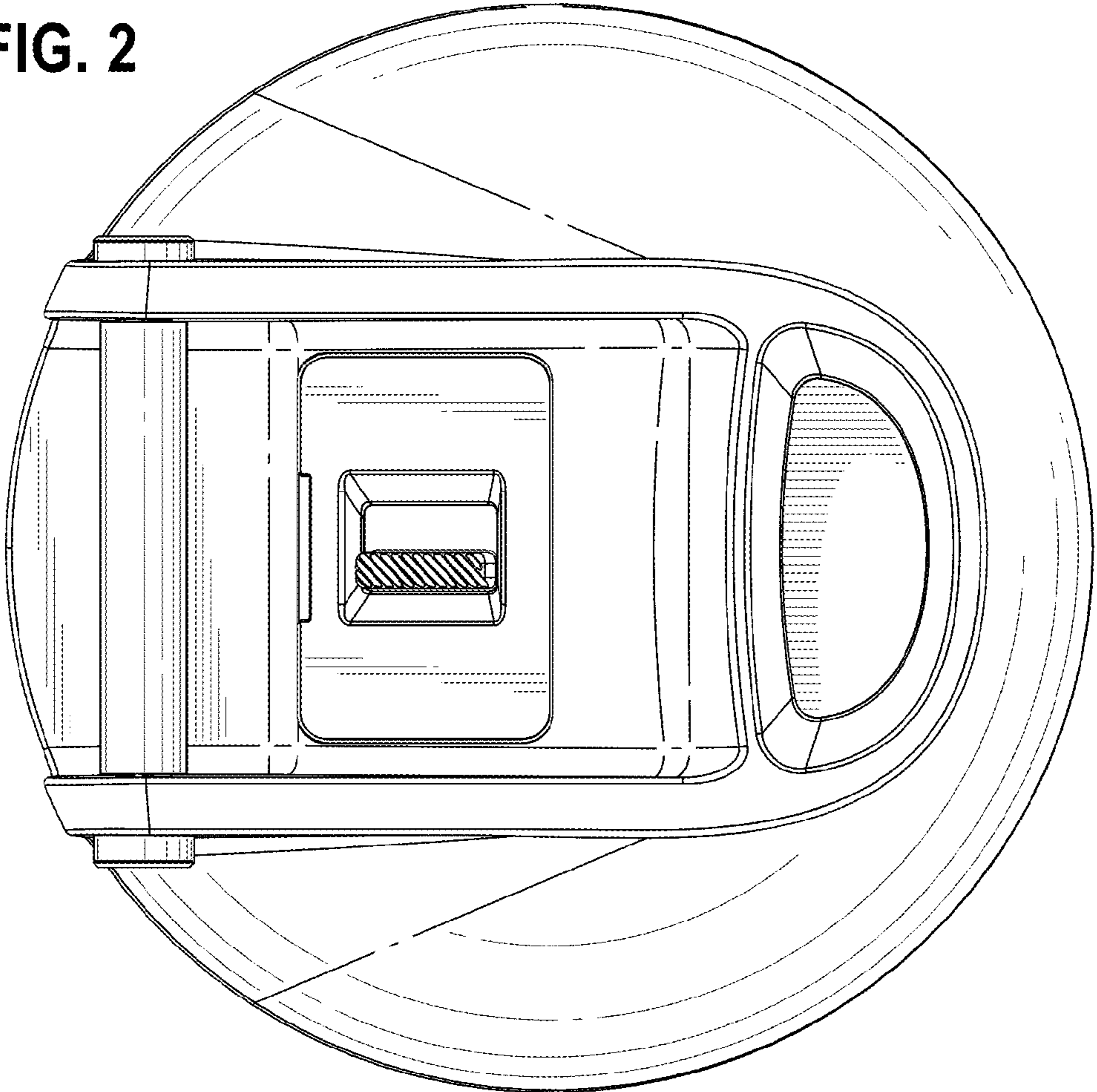


FIG. 3

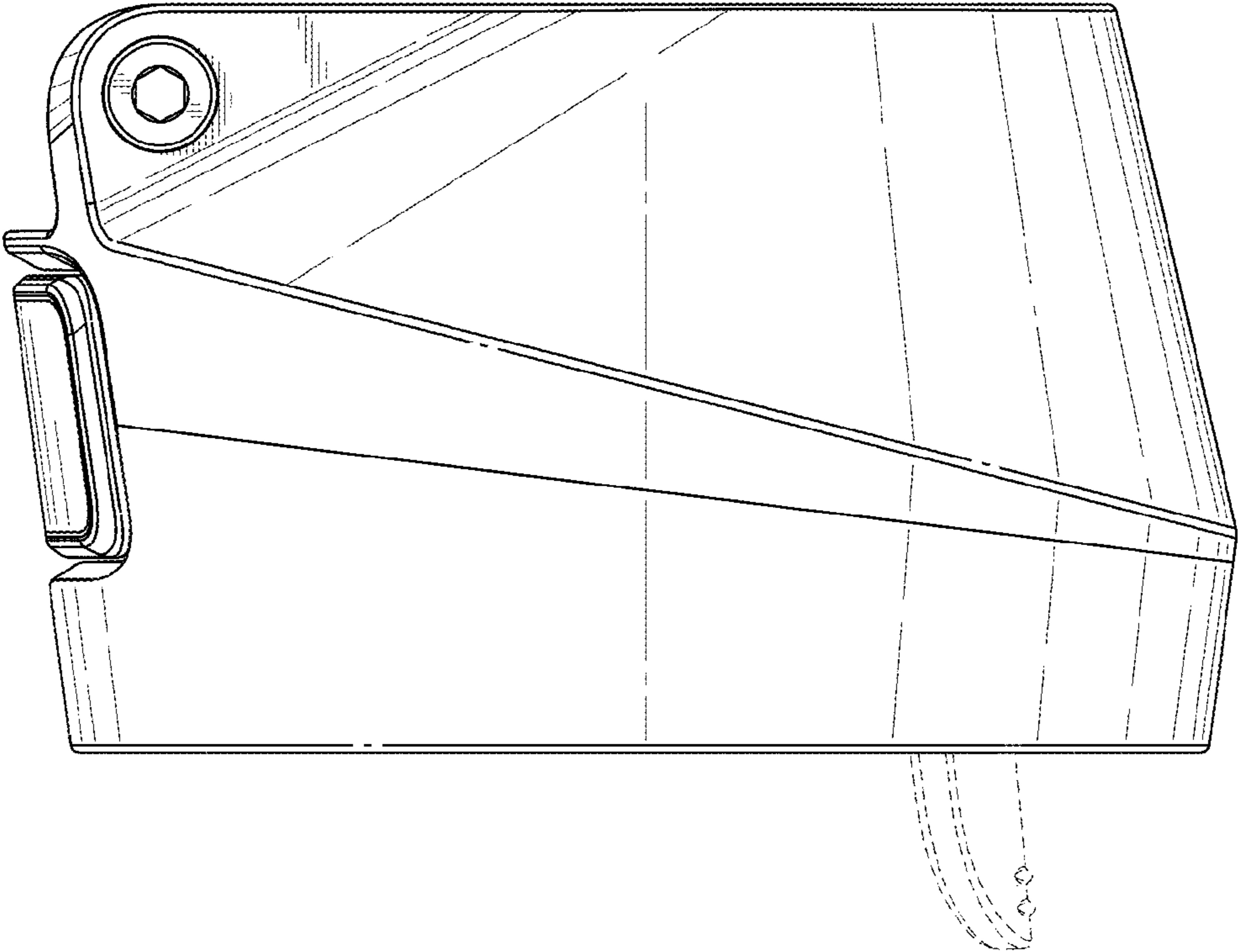


FIG. 4

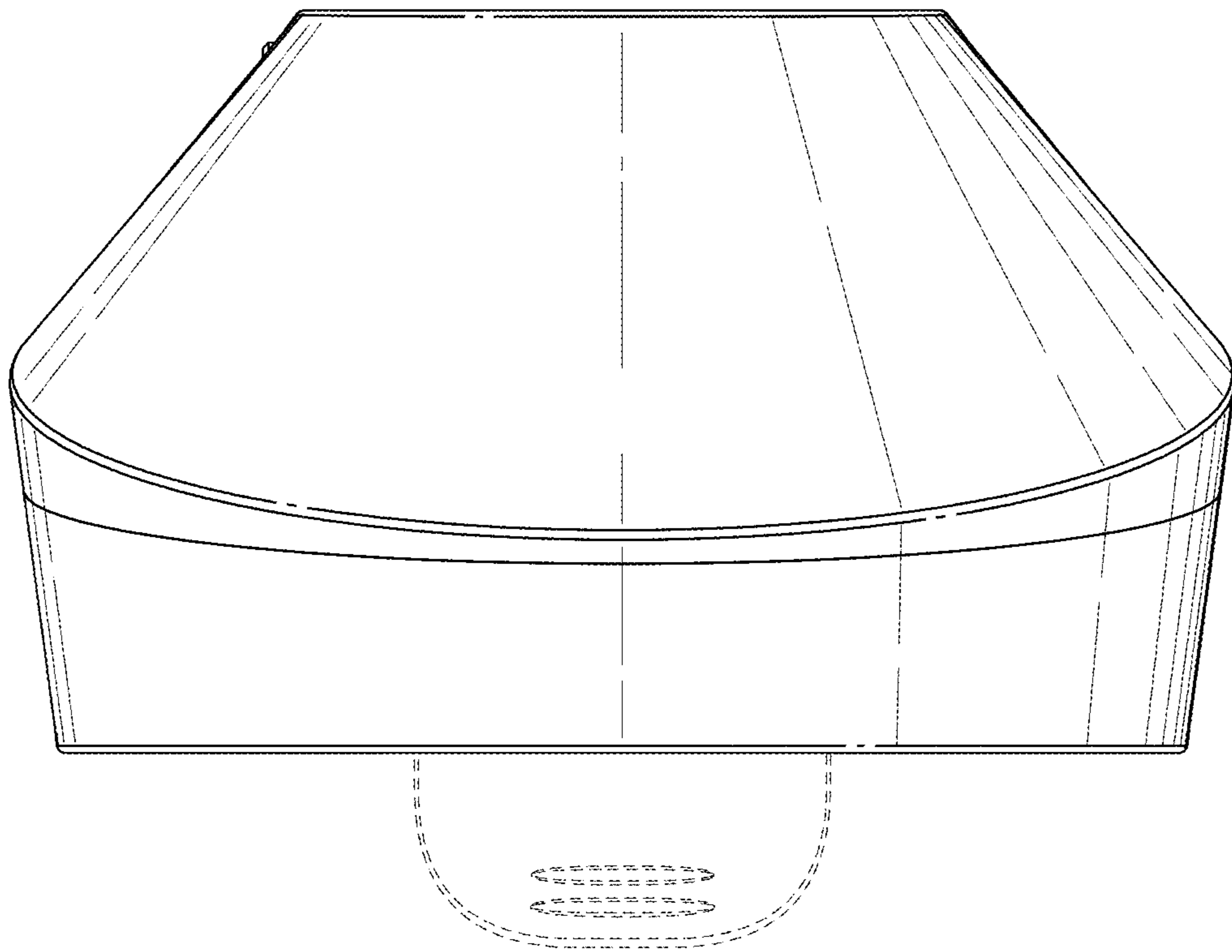


FIG. 5

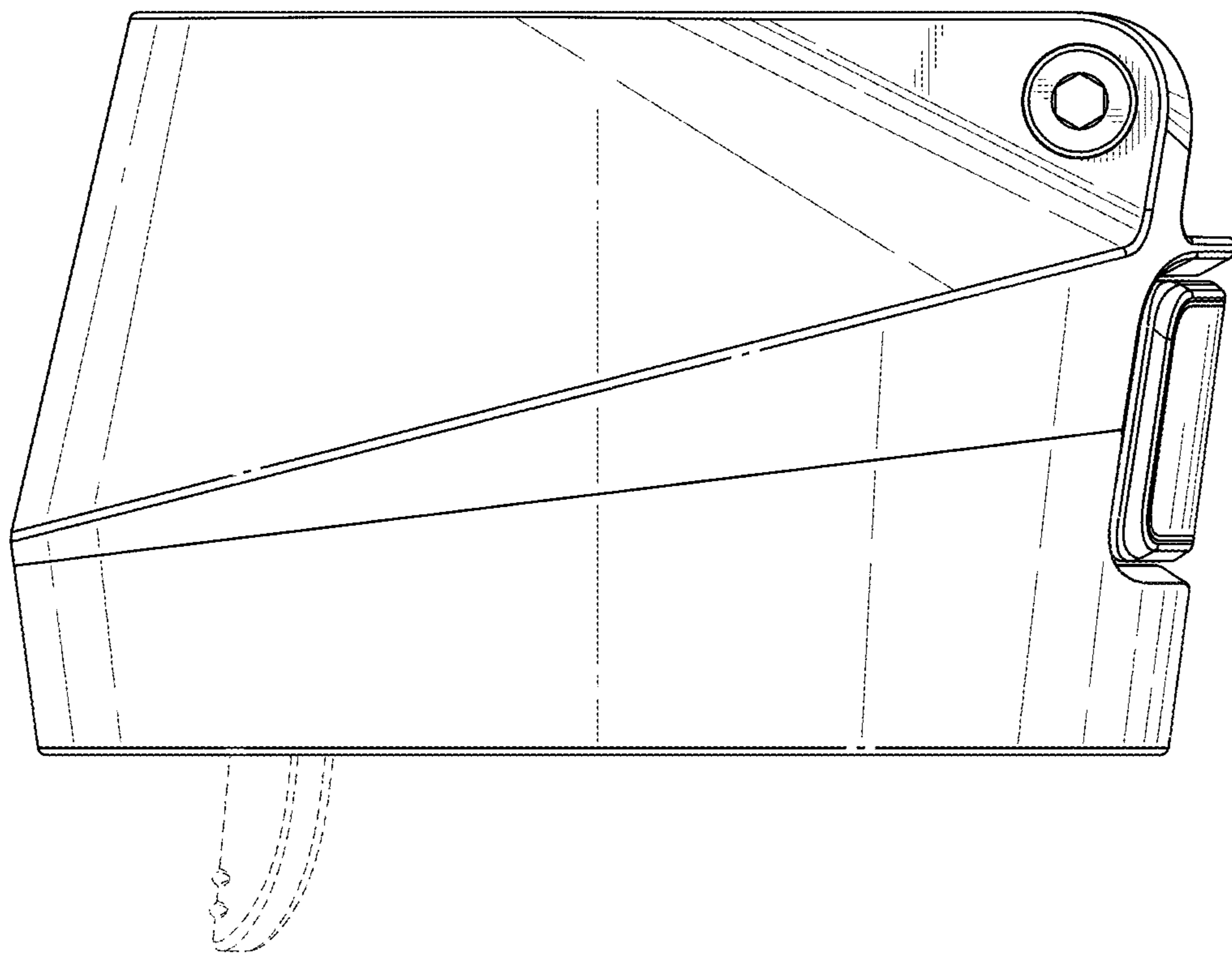


FIG. 6

