



US00D924000S

(12) **United States Design Patent** (10) **Patent No.:** **US D924,000 S**
Chen et al. (45) **Date of Patent:** **** Jul. 6, 2021**

(54) **BOTTLE CAP**

OTHER PUBLICATIONS

- (71) Applicants: **Xinxing Chen**, Chuzhou (CN); **Guofu Yang**, Nanyang (CN)
- (72) Inventors: **Xinxing Chen**, Chuzhou (CN); **Guofu Yang**, Nanyang (CN)
- (**) Term: **15 Years**
- (21) Appl. No.: **29/735,136**
- (22) Filed: **May 19, 2020**
- (51) **LOC (13) Cl.** **07-01**
- (52) **U.S. Cl.**
USPC **D7/392.1**
- (58) **Field of Classification Search**
USPC D7/392, 392.1, 396.1, 396.2, 397, 509,
D7/510, 533, 619.1, 622; D9/435, 443,
D9/516
CPC B65D 47/066; B65D 47/2037; A47G
19/2272
See application file for complete search history.

“SendeStar Straw Lid”. Found online Apr. 16, 2021 at amazon.com. Reference dated Nov. 28, 2019. Retrieved from <https://www.amazon.com/Sendestar-Straw-Sports-Bottle-Straws/dp/B0823B9XJ3>.*

“Simple Modern: Summit Water Bottle Lid 3-Pack: Flip Lid with Handle, Insulated Straw Lid, and Insulated Chug Lid”. Found online Apr. 16, 2021 at amazon.com. Reference dated Aug. 7, 2019. Retrieved from https://www.amazon.com/Simple-Modern-Summit-Water-Bottle/dp/B07W7W7R5J/ref=sr_1_1_sspa?.*

“DYLN: Flexible Handle Sports Cap with Silicone Straw”. Found online Apr. 16, 2021 at amazon.com. Reference dated Oct. 10, 2020. Retrieved from https://www.amazon.com/dp/B08L1G81PT/ref=sspa_dk_detail_6?.*

“Gearproz Straw Lid, Paracord Handle”. Found online Apr. 16, 2021 at amazon.com. Reference dated May 25, 2020. Retrieved from <https://www.amazon.com/Gearproz-Paracord-Standard-Shoulder-Cleaning/dp/B08CDFP976?>.*

* cited by examiner

Primary Examiner — Kendra Leslie Hamilton

(56) **References Cited**

U.S. PATENT DOCUMENTS

D855,388	S	*	8/2019	Potter	D7/392.1
D886,517	S	*	6/2020	Bo	D7/392.1
D887,776	S	*	6/2020	Bo	D9/443
D894,671	S	*	9/2020	Huang	D7/392.1
D896,574	S	*	9/2020	Wang	D7/392.1
D899,848	S	*	10/2020	Zhang	D7/396.2
D904,109	S	*	12/2020	Yao	D7/392.1
D911,100	S	*	2/2021	Chen	D7/392.1
2010/0224631	A1	*	9/2010	Roth	B65D 51/242 220/288
2012/0187075	A1	*	7/2012	El-Saden	B65D 51/242 215/389
2014/0138395	A1	*	5/2014	Joy	A47G 19/2272 220/715
2016/0318693	A1	*	11/2016	Hein	B65D 51/242
2017/0283132	A1	*	10/2017	Sorensen	B65D 43/02

(57) **CLAIM**

The ornamental design for a bottle cap, as shown and described.

DESCRIPTION

FIG. 1 is a top, front, right perspective view of a bottle cap, showing our new design;

FIG. 2 is a front elevational view thereof;

FIG. 3 is a rear elevational view thereof;

FIG. 4 is a left side elevational view thereof;

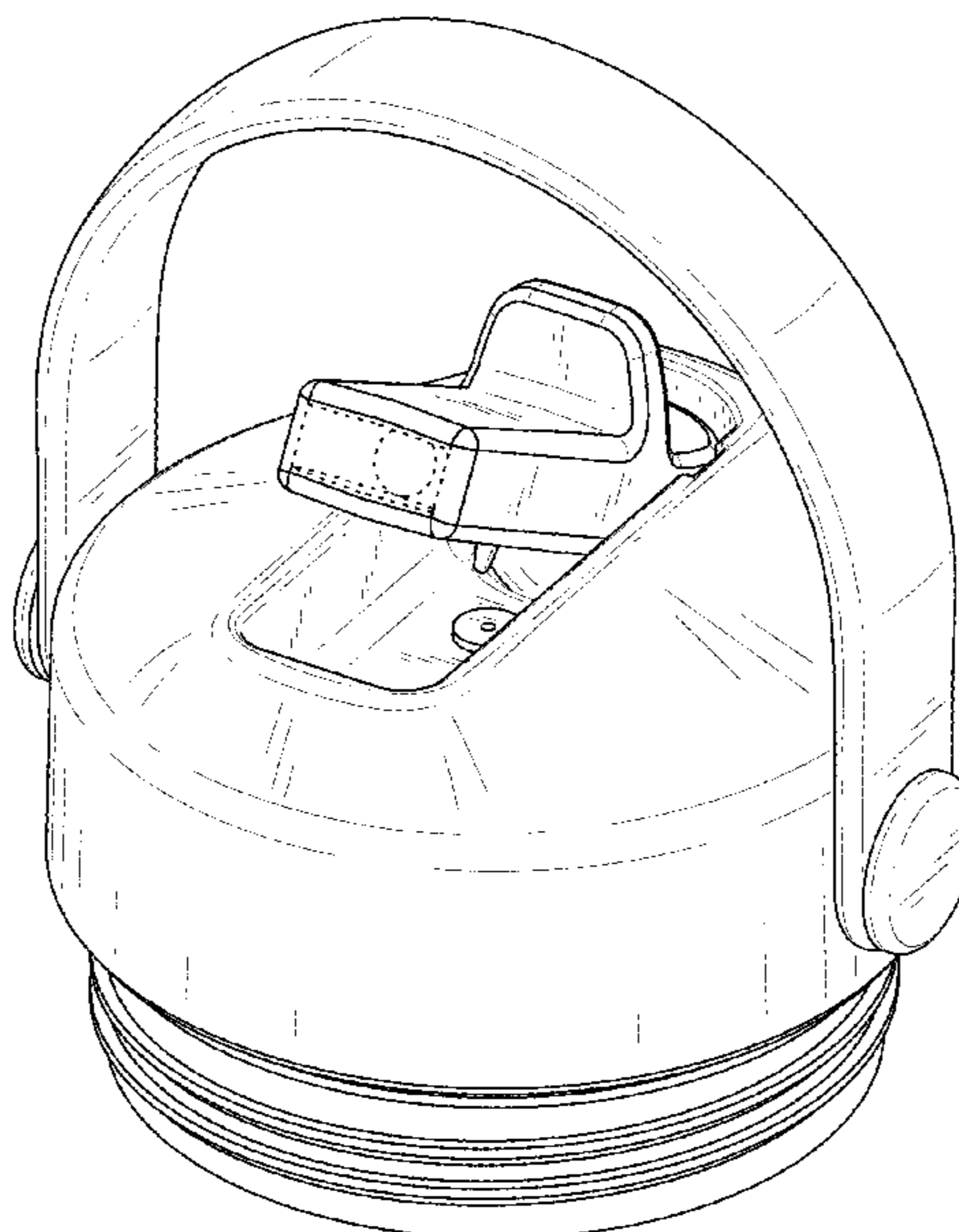
FIG. 5 is a right side elevational view thereof;

FIG. 6 is a top plan view thereof; and,

FIG. 7 is a bottom plan view thereof.

The broken lines in the figures depict the portions of the bottle cap that form no part of the claimed design.

1 Claim, 7 Drawing Sheets



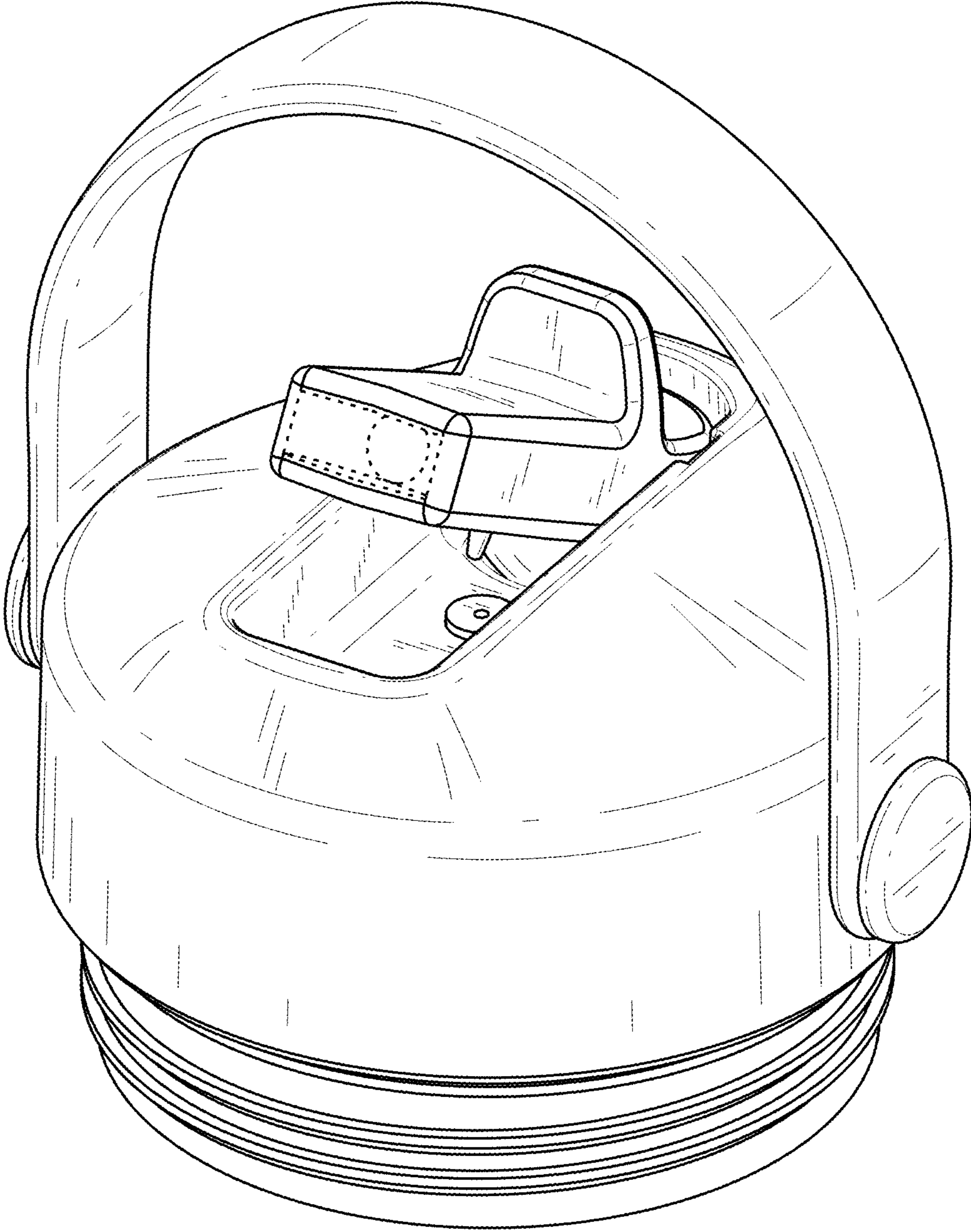


FIG. 1

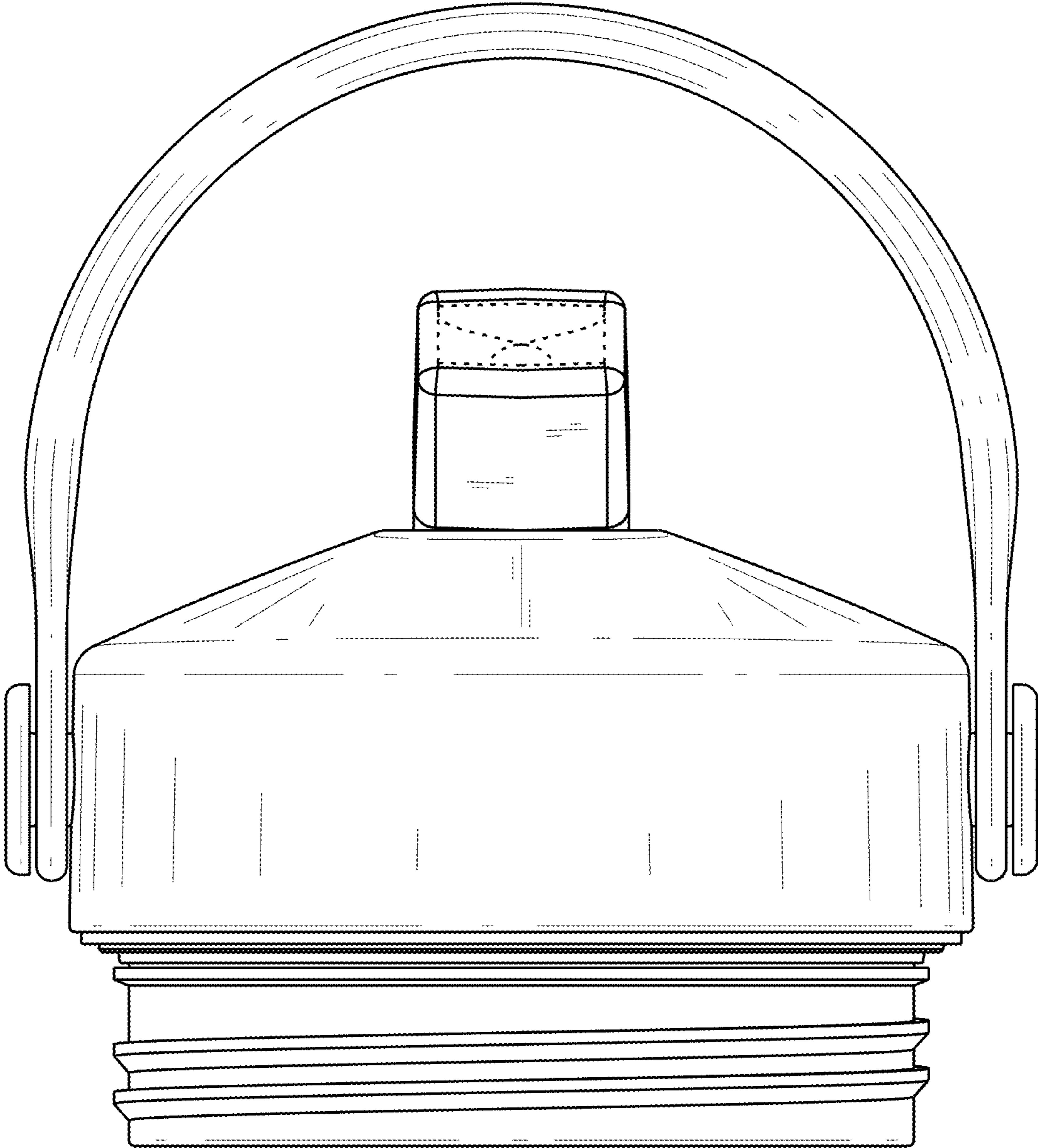


FIG.2

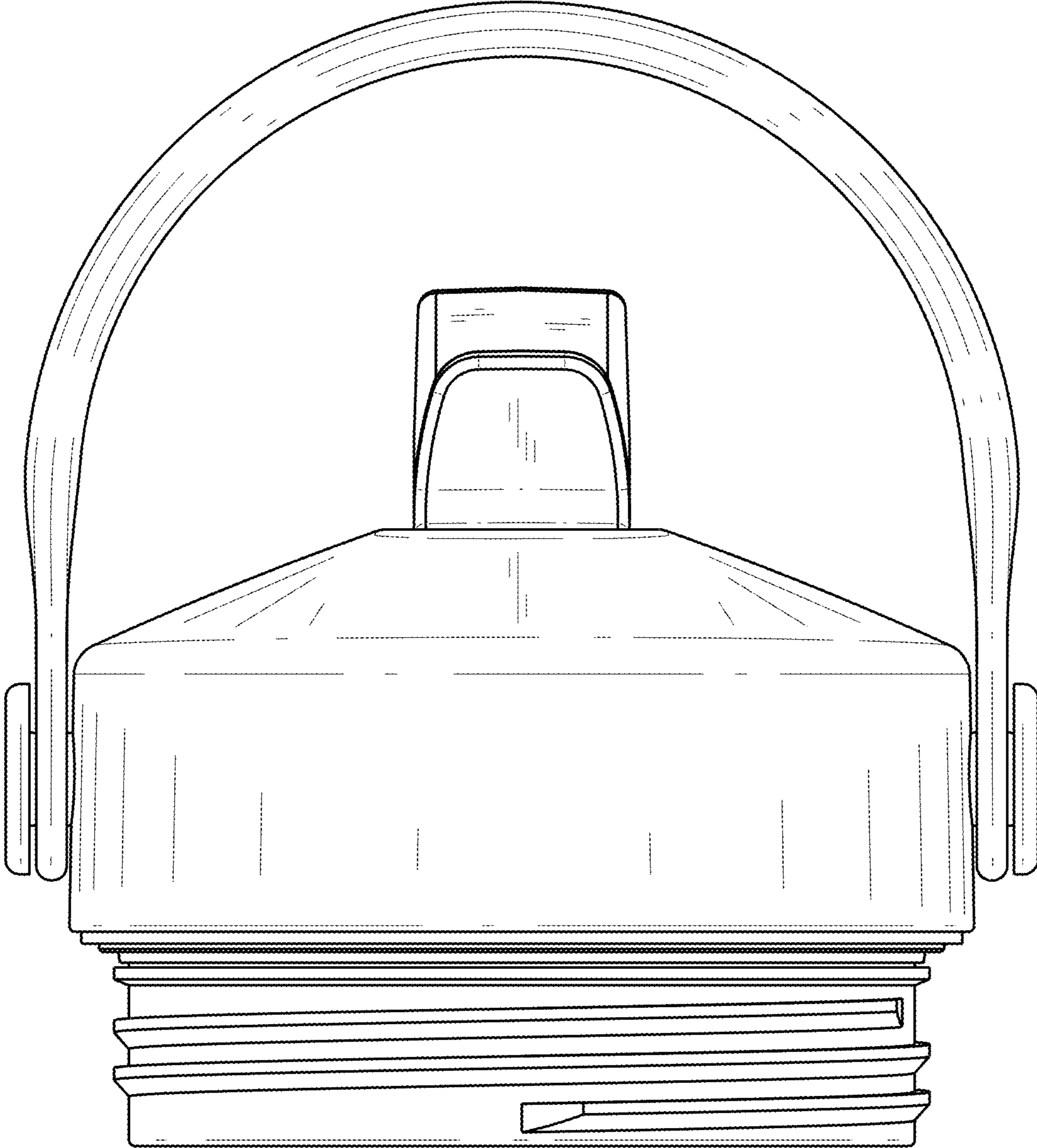


FIG.3

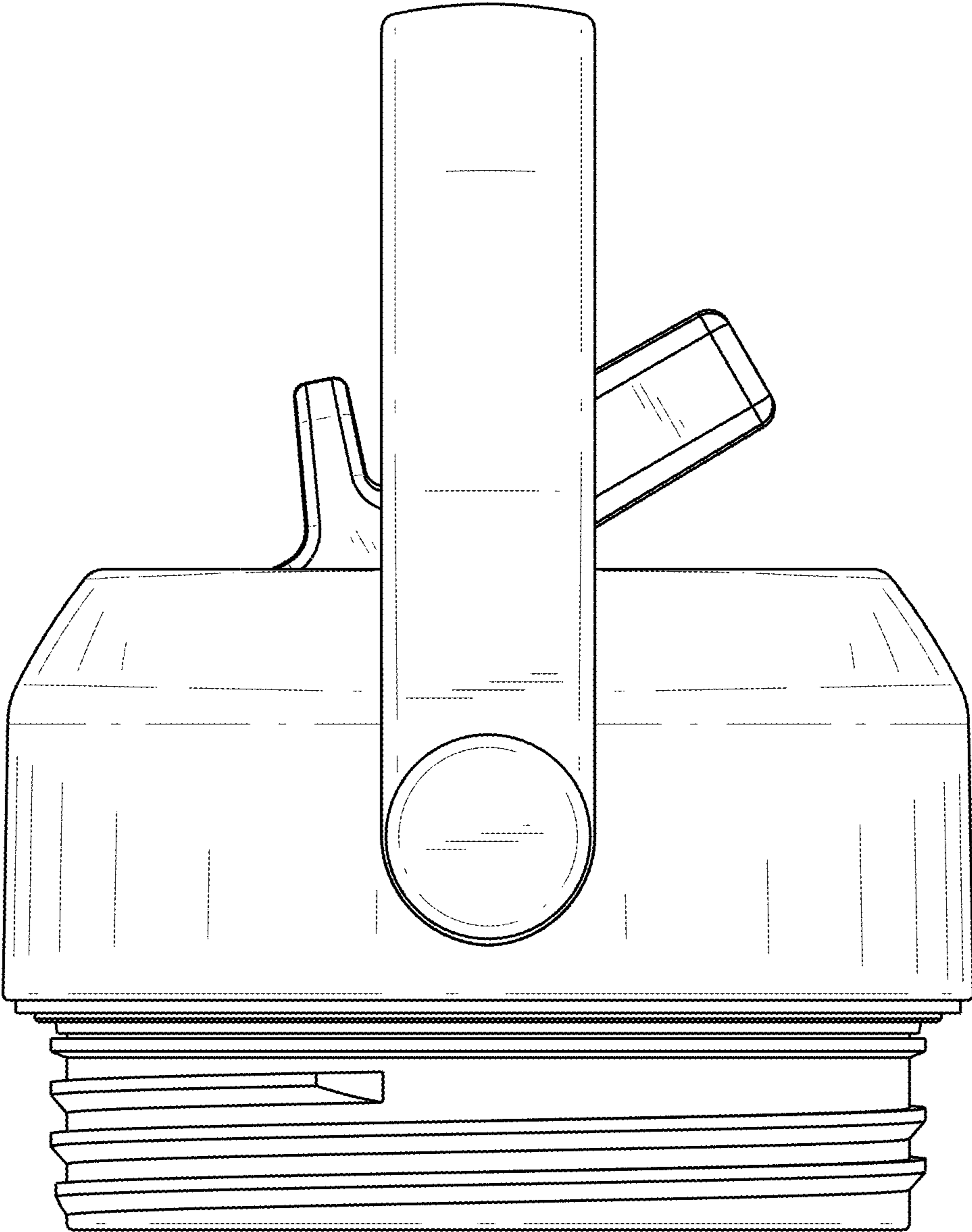


FIG. 4

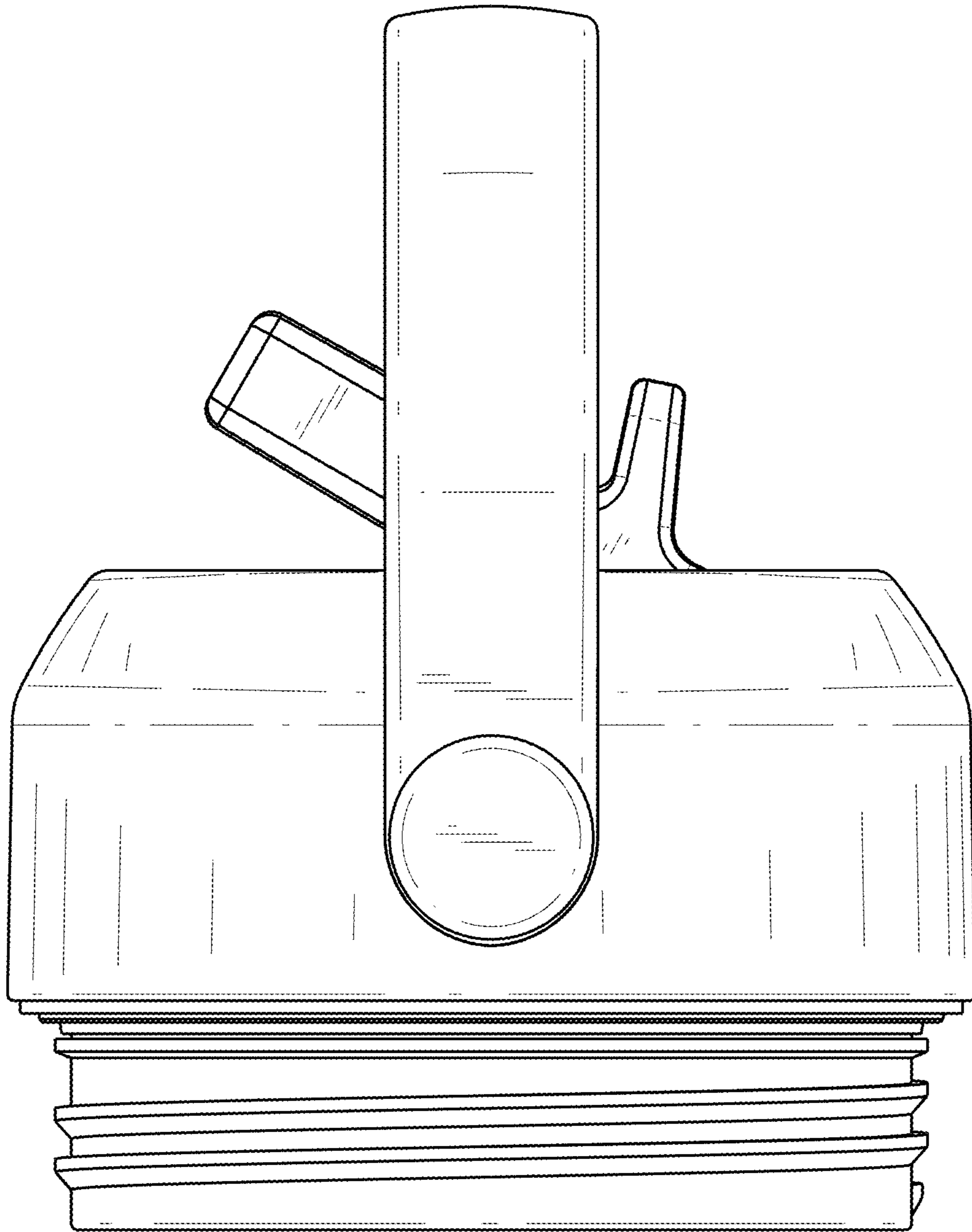


FIG. 5

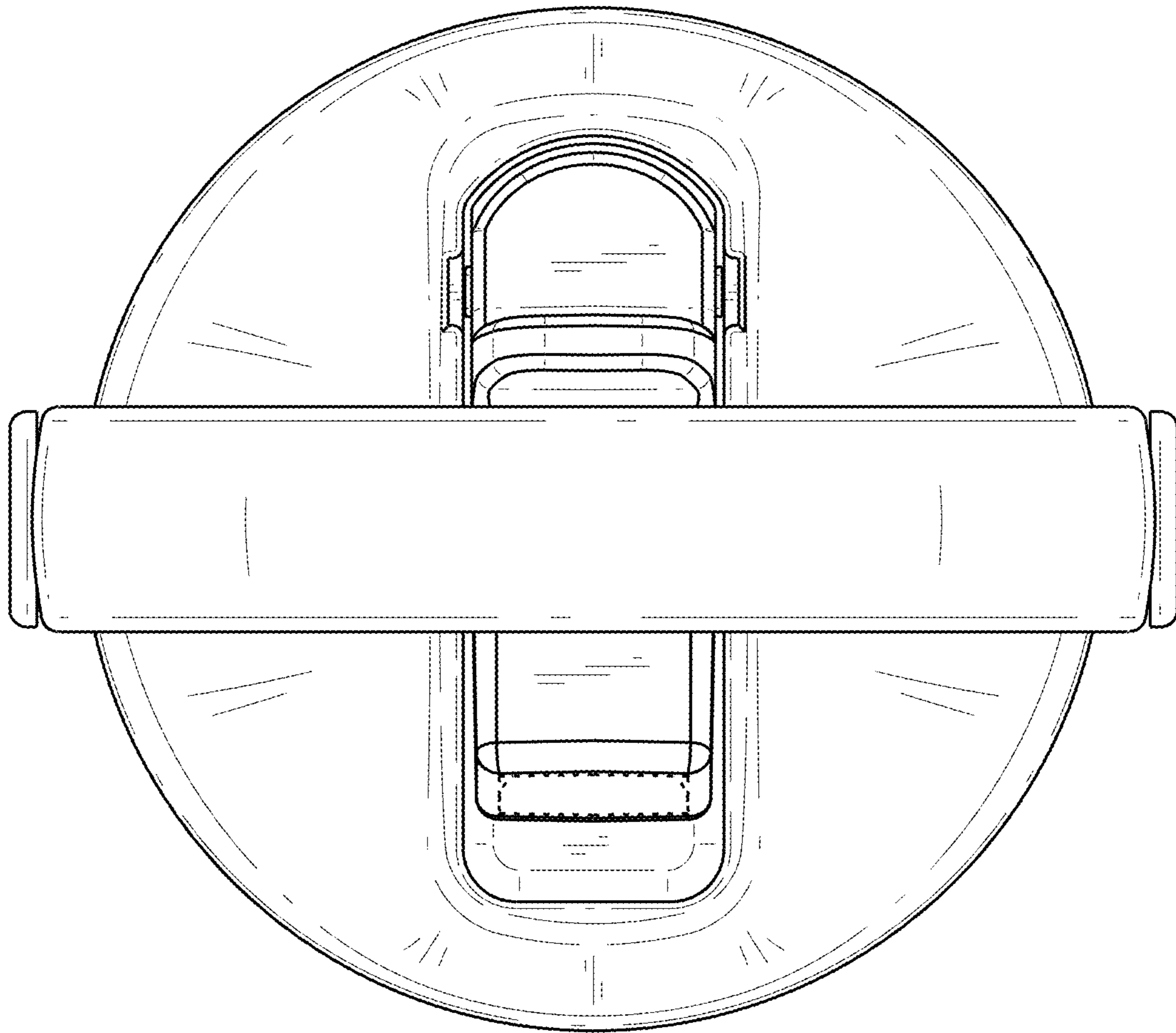


FIG.6

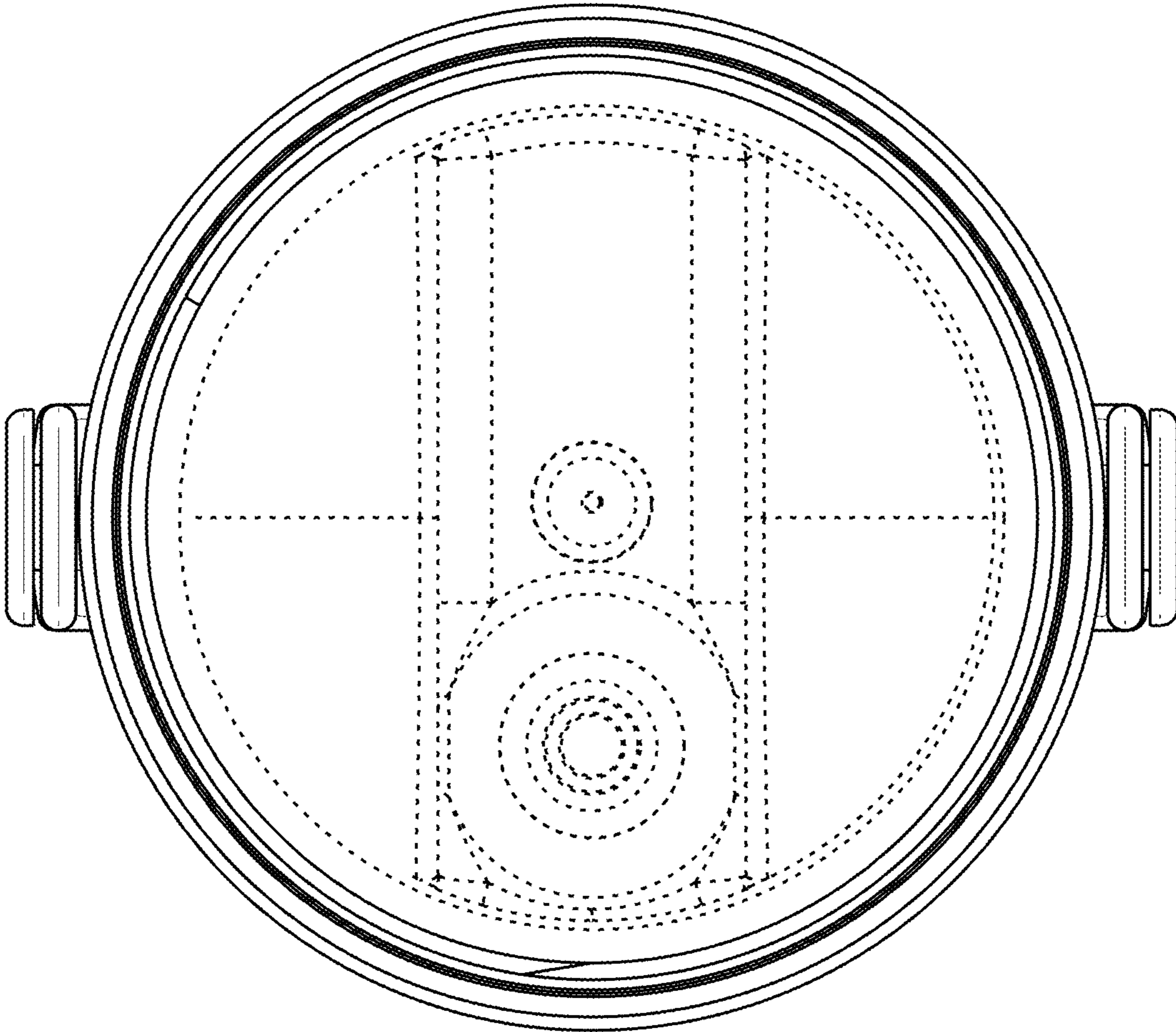


FIG. 7