



US00D923995S

(12) **United States Design Patent**  
**Lee et al.**

(10) **Patent No.: US D923,995 S**

(45) **Date of Patent: \*\* \*Jul. 6, 2021**

(54) **BEER BREWING MACHINE**

(71) Applicant: **LG ELECTRONICS INC.**, Seoul (KR)

(72) Inventors: **Hophil Lee**, Seoul (KR); **Daekee Shin**, Seoul (KR)

(73) Assignee: **LG Electronics Inc.**, Seoul (KR)

(\*) Notice: This patent is subject to a terminal disclaimer.

(\*\*) Term: **15 Years**

(21) Appl. No.: **35/508,232**

(22) Filed: **Jun. 25, 2019**

(80) **Hague Agreement Data**

Int. Filing Date: **Jun. 25, 2019**

Int. Reg. No.: **DM/204060**

Int. Reg. Date: **Jun. 25, 2019**

Int. Reg. Pub. Date: **Dec. 27, 2019**

(51) **LOC (13) Cl.** ..... **07-01**

(52) **U.S. Cl.**  
USPC ..... **D7/306; D7/313**

(58) **Field of Classification Search**  
USPC ..... D7/305, 309, 311, 313, 356, 357, 397, D7/399  
CPC . B67D 1/12; B67D 1/0412; B67D 1/00; A47J 31/4489; A47J 31/40; A47J 31/4485  
See application file for complete search history.

(56) **References Cited**

**U.S. PATENT DOCUMENTS**

D104,477 S \* 5/1937 Scharfenberg ..... D7/309  
D171,000 S \* 12/1953 Levine ..... D7/357

D283,779 S \* 5/1986 Beeren ..... D7/308  
D423,862 S \* 5/2000 Mravlja, Jr. .... D7/305  
D452,106 S \* 12/2001 Seiffert ..... D7/305  
D459,936 S \* 7/2002 Woebcke ..... D7/307  
D552,402 S \* 10/2007 Schwamkrug ..... D7/309  
D816,383 S \* 5/2018 Liang ..... D7/310  
D824,196 S \* 7/2018 Shin ..... D7/313  
D836,371 S \* 12/2018 Cahen ..... D7/306  
D843,767 S \* 3/2019 Shin ..... D7/313  
D849,465 S \* 5/2019 Shin ..... D7/313  
D893,933 S \* 8/2020 You ..... D7/310  
2018/0371385 A1\* 12/2018 Hong ..... B67D 1/0016

\* cited by examiner

*Primary Examiner* — Michael A. Pratt

(74) *Attorney, Agent, or Firm* — Birch, Stewart, Kolasch & Birch, LLP

(57) **CLAIM**

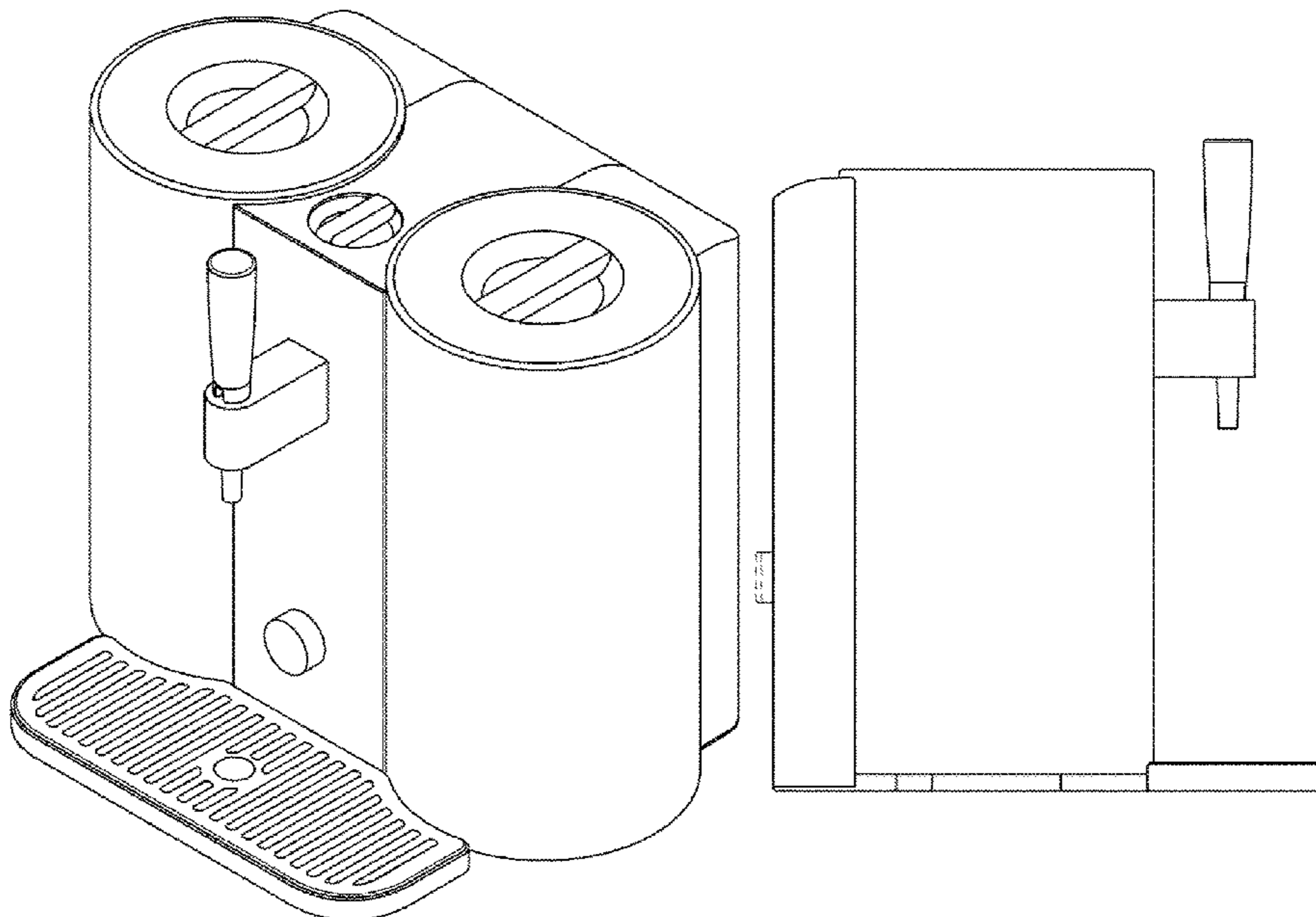
The ornamental design for a beer brewing machine, as shown and described.

**DESCRIPTION**

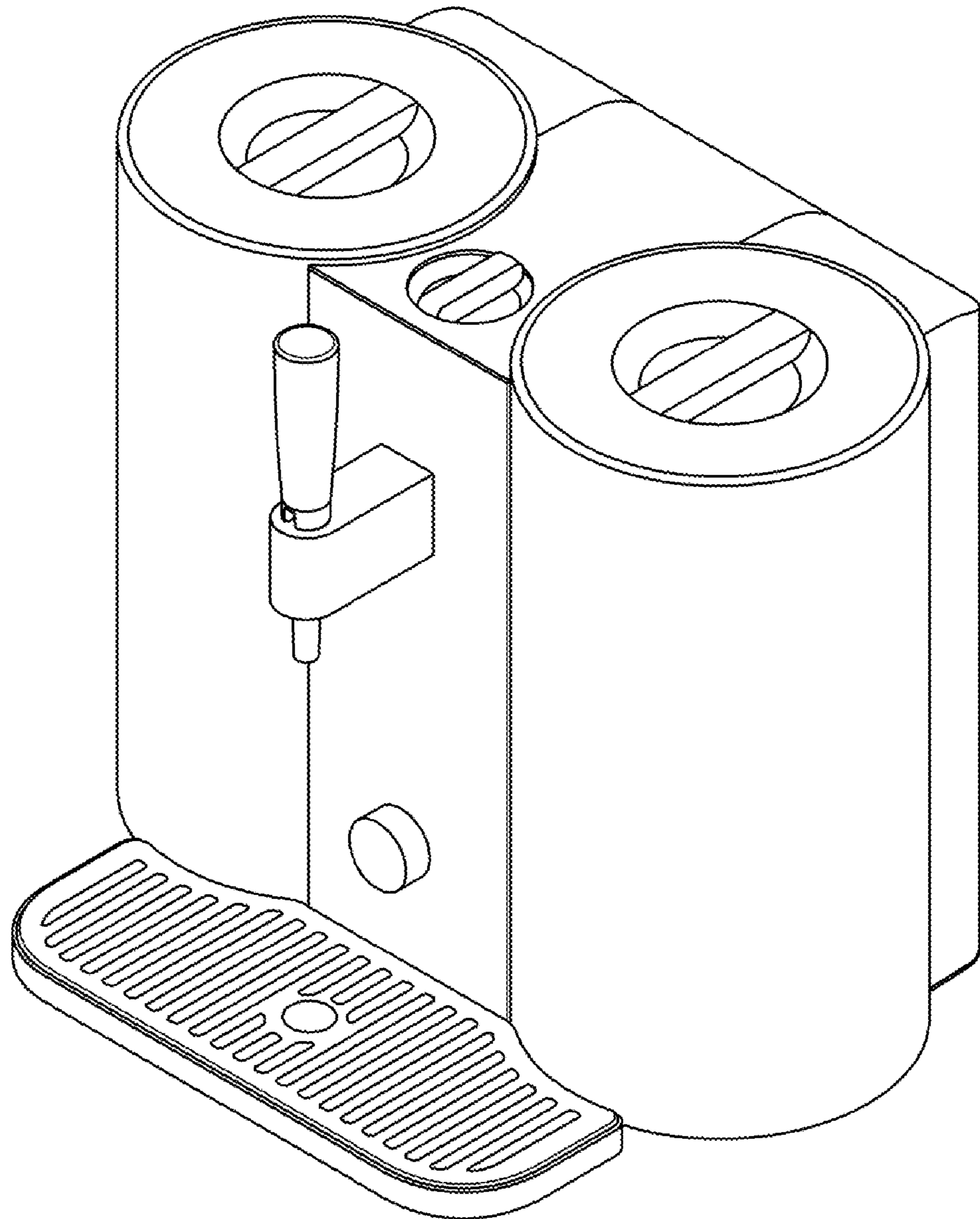
- 1. Beer brewing machine
- 1.1 : Perspective
- 1.2 : Front
- 1.3 : Back
- 1.4 : Left
- 1.5 : Right
- 1.6 : Top
- 1.7 : Bottom

The parts shown by means of broken lines in the reproductions are not part of the claimed design.

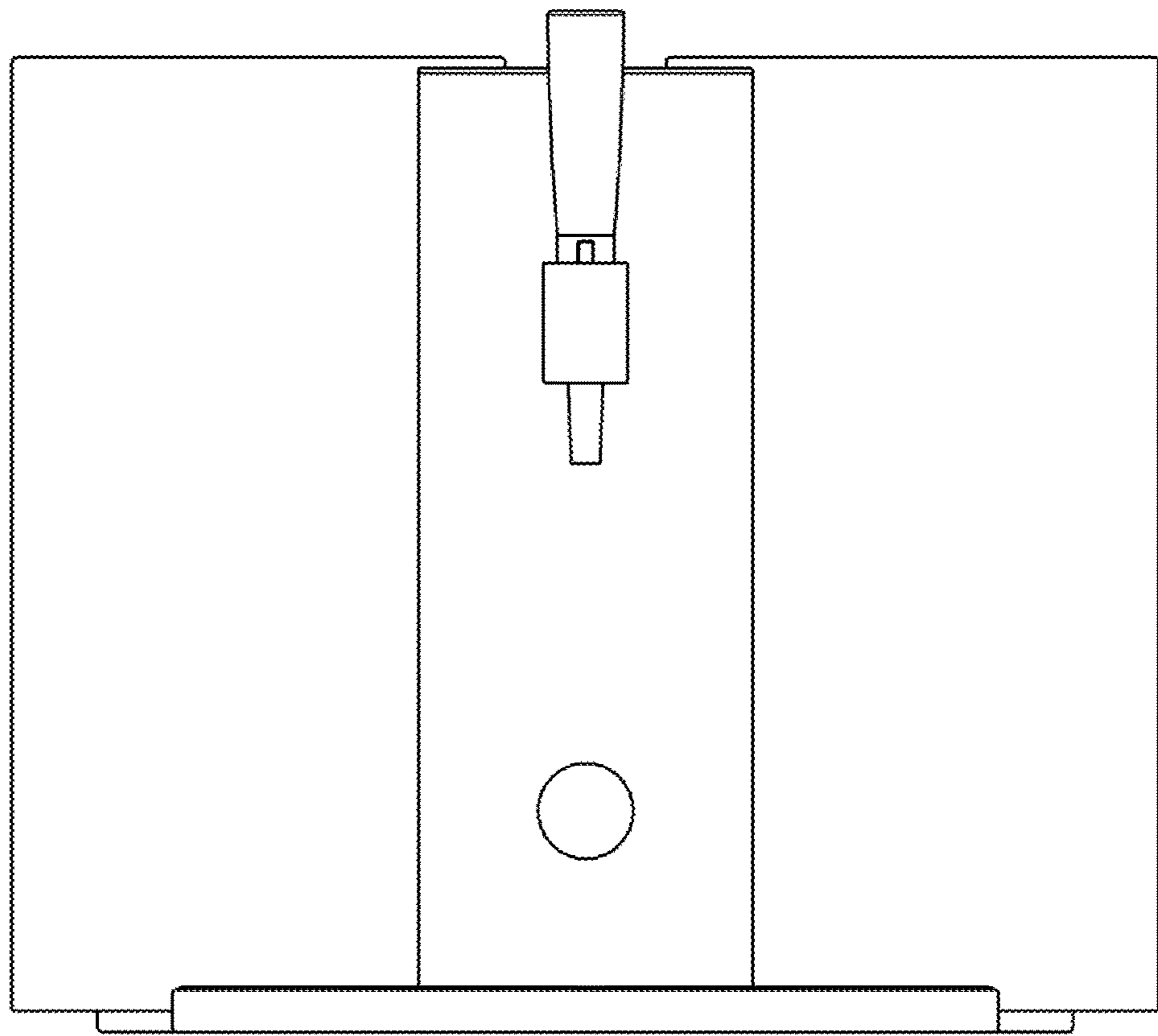
**1 Claim, 7 Drawing Sheets**



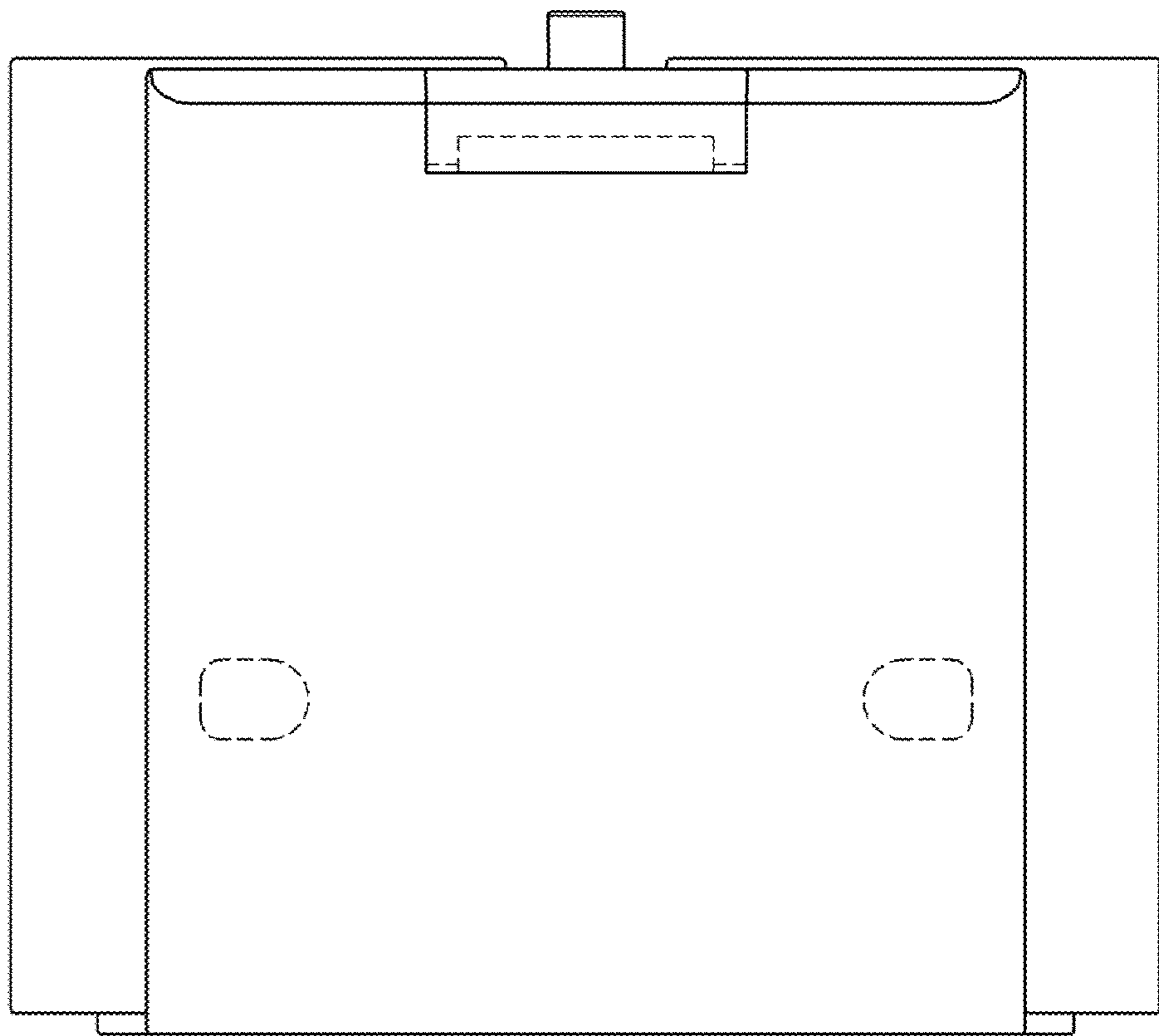
1.1



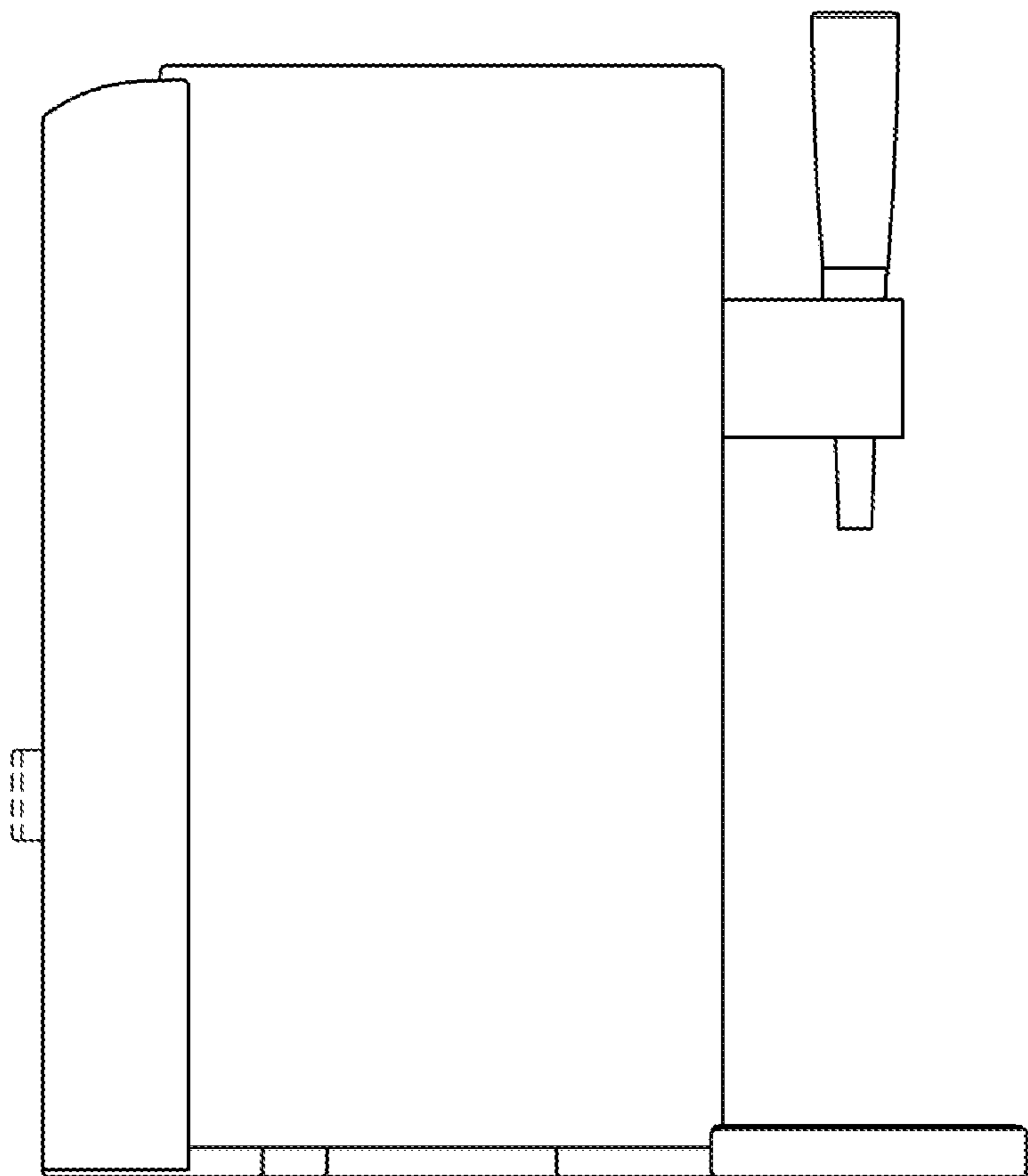
1.2



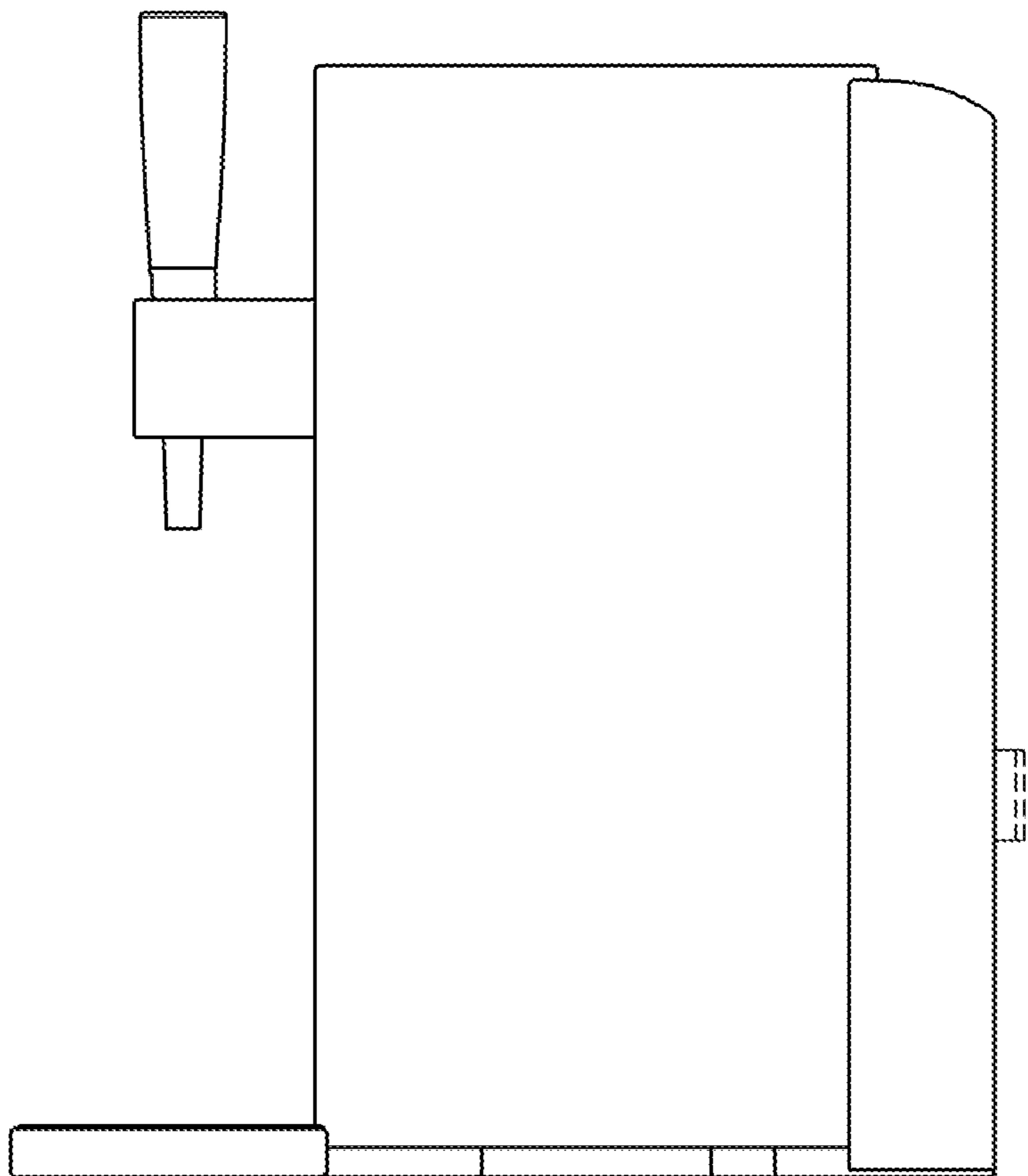
1.3



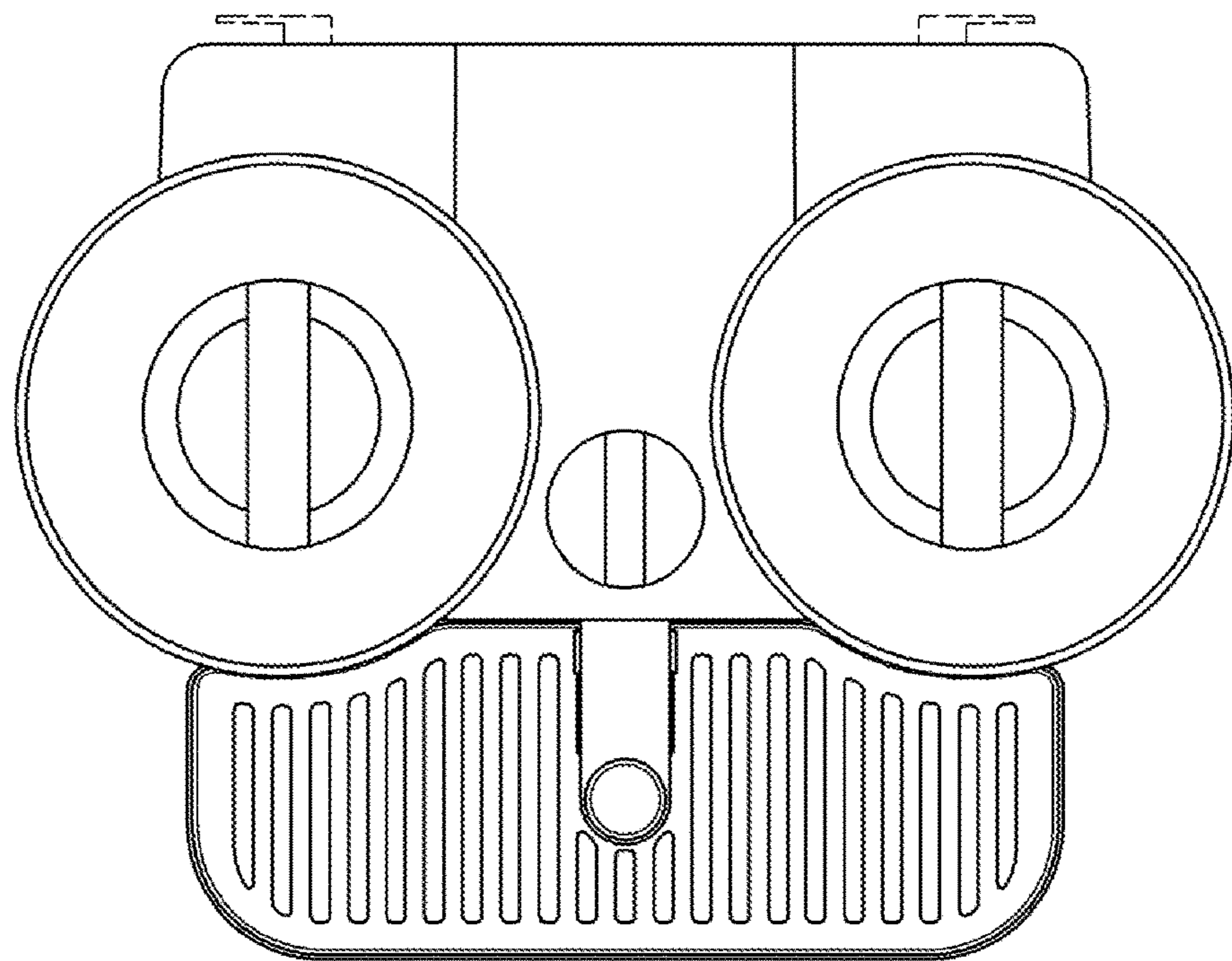
1.4



1.5



1.6



1.7

