



US00D923994S

(12) **United States Design Patent**
Chu et al.

(10) **Patent No.:** **US D923,994 S**

(45) **Date of Patent:** **** Jul. 6, 2021**

(54) **CHAIR ARMREST**

(71) Applicants: **Zoocy Chia-Tien Chu**, Byron Center, MI (US); **Douglas Pan**, Tainan (TW)

(72) Inventors: **Zoocy Chia-Tien Chu**, Byron Center, MI (US); **Douglas Pan**, Tainan (TW)

(**) Term: **15 Years**

(21) Appl. No.: **29/693,165**

(22) Filed: **May 31, 2019**

(51) **LOC (13) Cl.** **06-06**

(52) **U.S. Cl.**
USPC **D6/716.2**

(58) **Field of Classification Search**
USPC D6/328, 334, 354, 355, 356, 364, 366, D6/601, 655, 702, 708, 708.16, 708.17, D6/708.18, 708.23, 708.24, 708.25, 712, D6/716.1, 716.2, 716.3, 716.4, 716.5, D6/716.6, 716.7, 379, 709; D21/662, D21/694, 695
CPC .. A47C 1/03; A47C 4/02; A47C 31/00; A47C 7/54; A47C 7/541; A47C 1/0308; A47C 1/0307; B64D 11/06; B62J 1/18; B60N 2/01; H01R 13/60

See application file for complete search history.

(56) **References Cited**

U.S. PATENT DOCUMENTS

D488,652 S *	4/2004	Lee	D6/366
D505,024 S *	5/2005	Bellin	D6/366
D505,815 S *	6/2005	Grove	D6/366
D506,336 S *	6/2005	Bock	D6/366
D506,627 S *	6/2005	Bock	D6/366
D507,908 S *	8/2005	Koepke	D6/366
D535,505 S *	1/2007	Cai	D6/366

D537,280 S *	2/2007	Cai	D6/366
D542,575 S *	5/2007	Vong	D6/366
D548,992 S *	8/2007	Koepke	D6/366
D572,923 S *	7/2008	Huang	D6/366
D586,161 S *	2/2009	Tsai	D6/716.2
D688,056 S *	8/2013	Phillips	D6/366
D792,120 S *	7/2017	Webb	D6/366
D792,717 S *	7/2017	Webb	D6/366
10,143,310 B1 *	12/2018	Wang	A47C 7/541
D873,043 S *	1/2020	Su	D6/366
10,729,252 B1 *	8/2020	Chu	A47C 7/541
10,786,082 B1 *	9/2020	Lai	A47C 1/0307
2014/0145490 A1 *	5/2014	Chen	A47C 1/0308
				297/411.37
2018/0116405 A1 *	5/2018	Gerbino	A47C 7/40
2020/0383486 A1 *	12/2020	Wang	A47C 7/541

* cited by examiner

Primary Examiner — Kevin K Rudzinski

Assistant Examiner — Paul D Bohannon

(74) *Attorney, Agent, or Firm* — Alan D. Kamrath; Karin L. Williams; Mayer & Williams PC

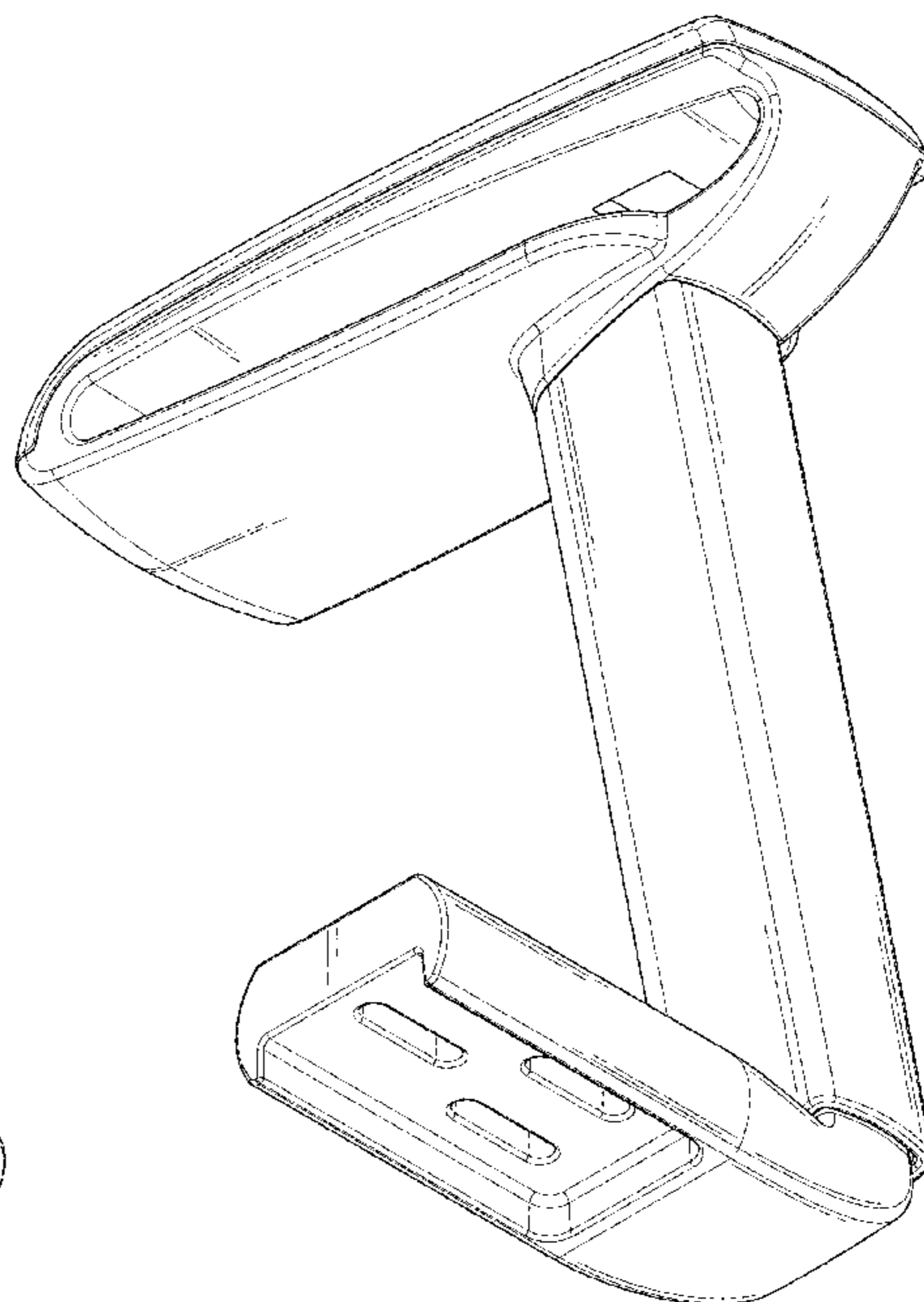
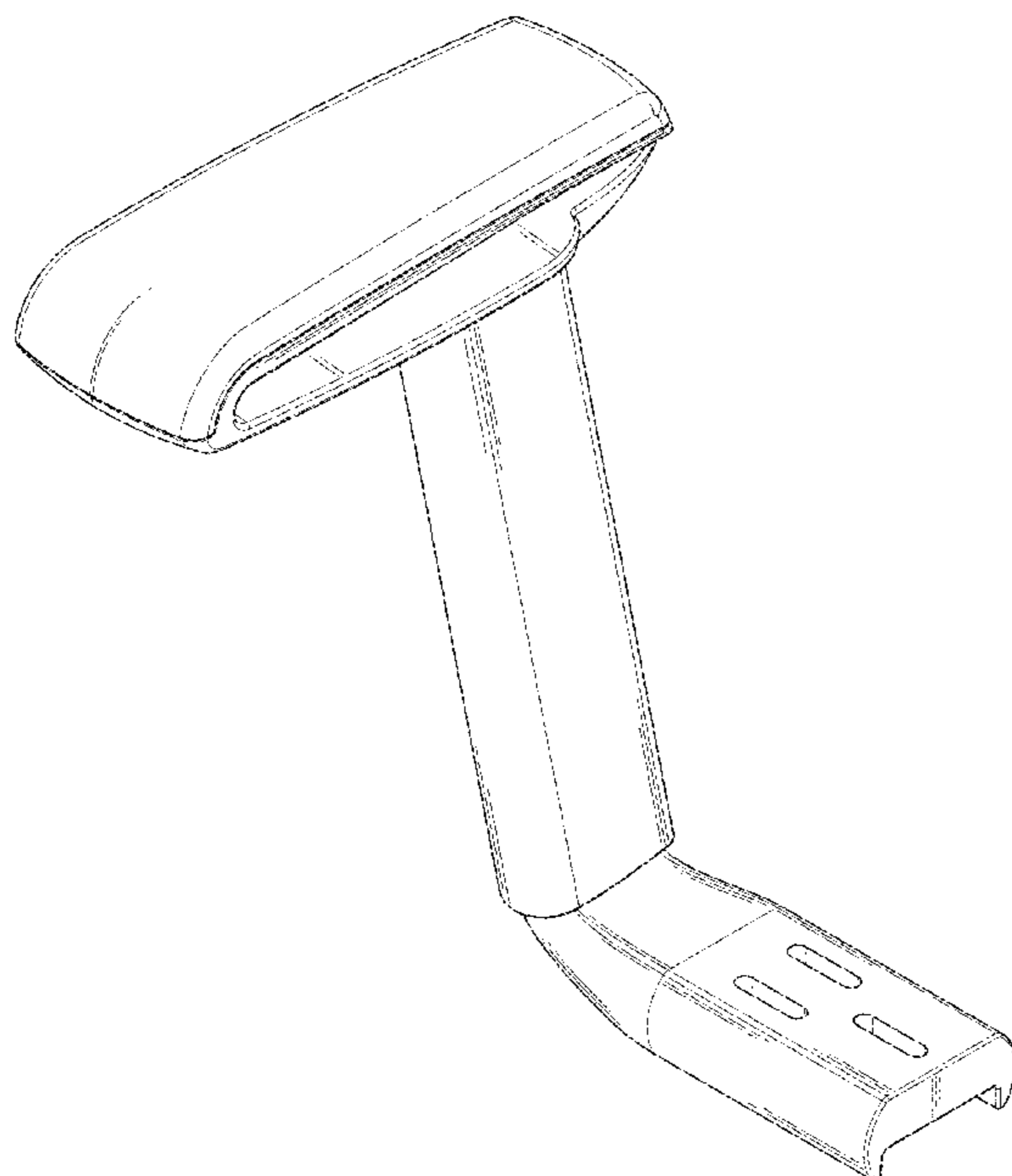
(57) **CLAIM**

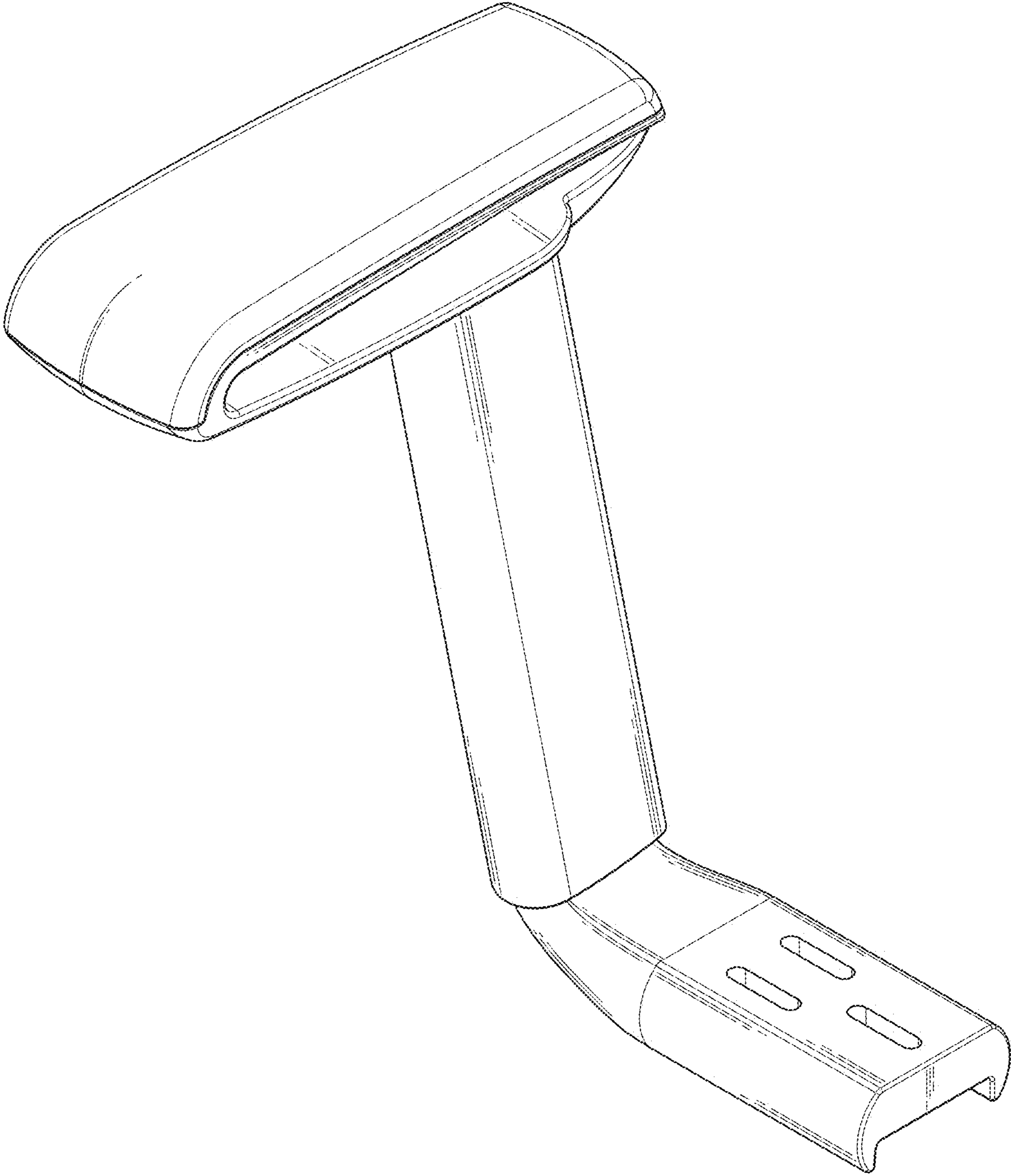
The ornamental design for the chair armrest, as shown and described.

DESCRIPTION

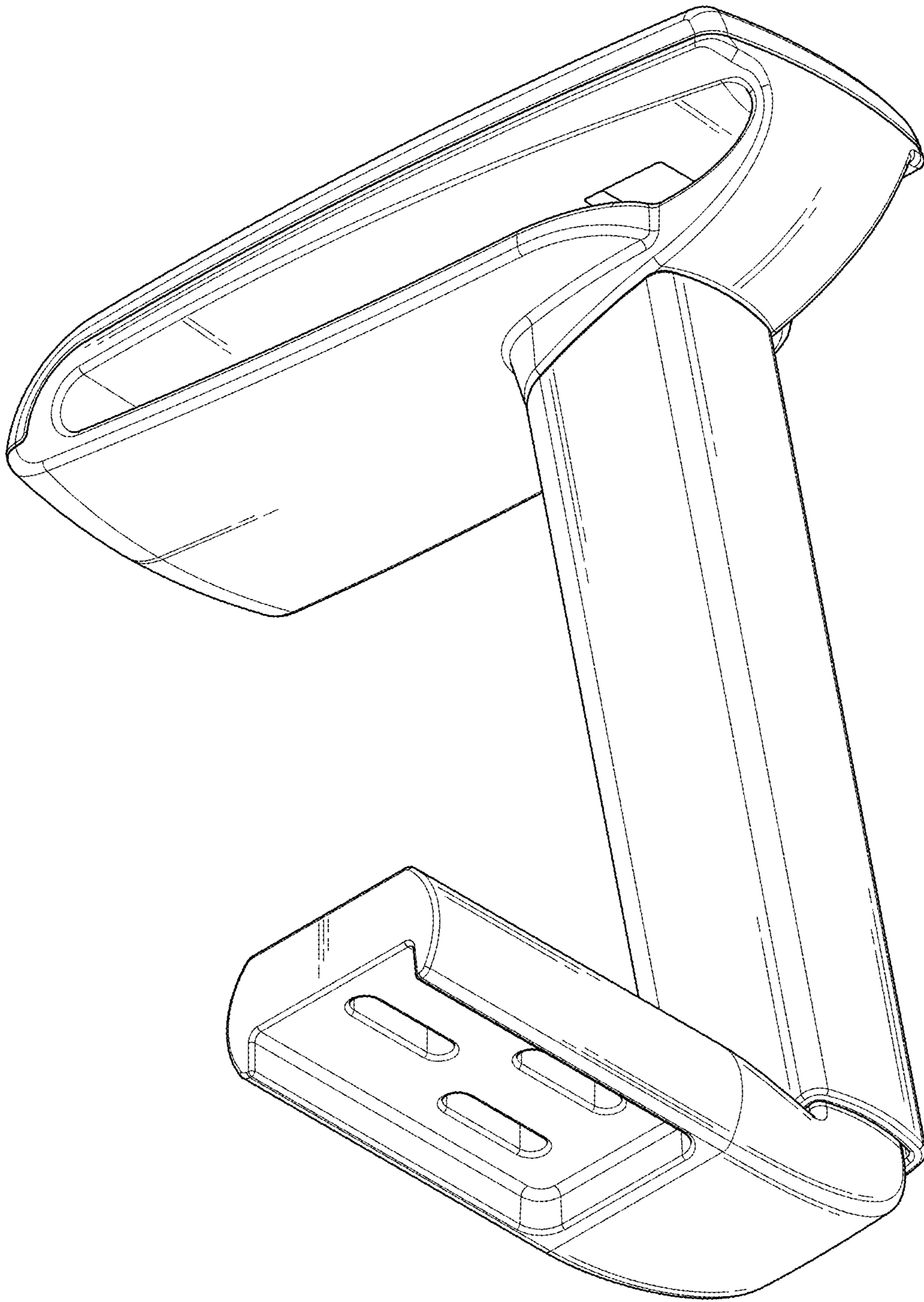
FIG. 1 is a perspective view of the chair armrest showing my new design;
FIG. 2 is an another perspective view thereof;
FIG. 3 is a front elevation view thereof;
FIG. 4 is a rear elevation view thereof;
FIG. 5 is a left side elevation view thereof;
FIG. 6 is a right side elevation view thereof;
FIG. 7 is a top plan view thereof; and,
FIG. 8 is a bottom plan view thereof.

1 Claim, 8 Drawing Sheets





F I G . 1



F I G . 2

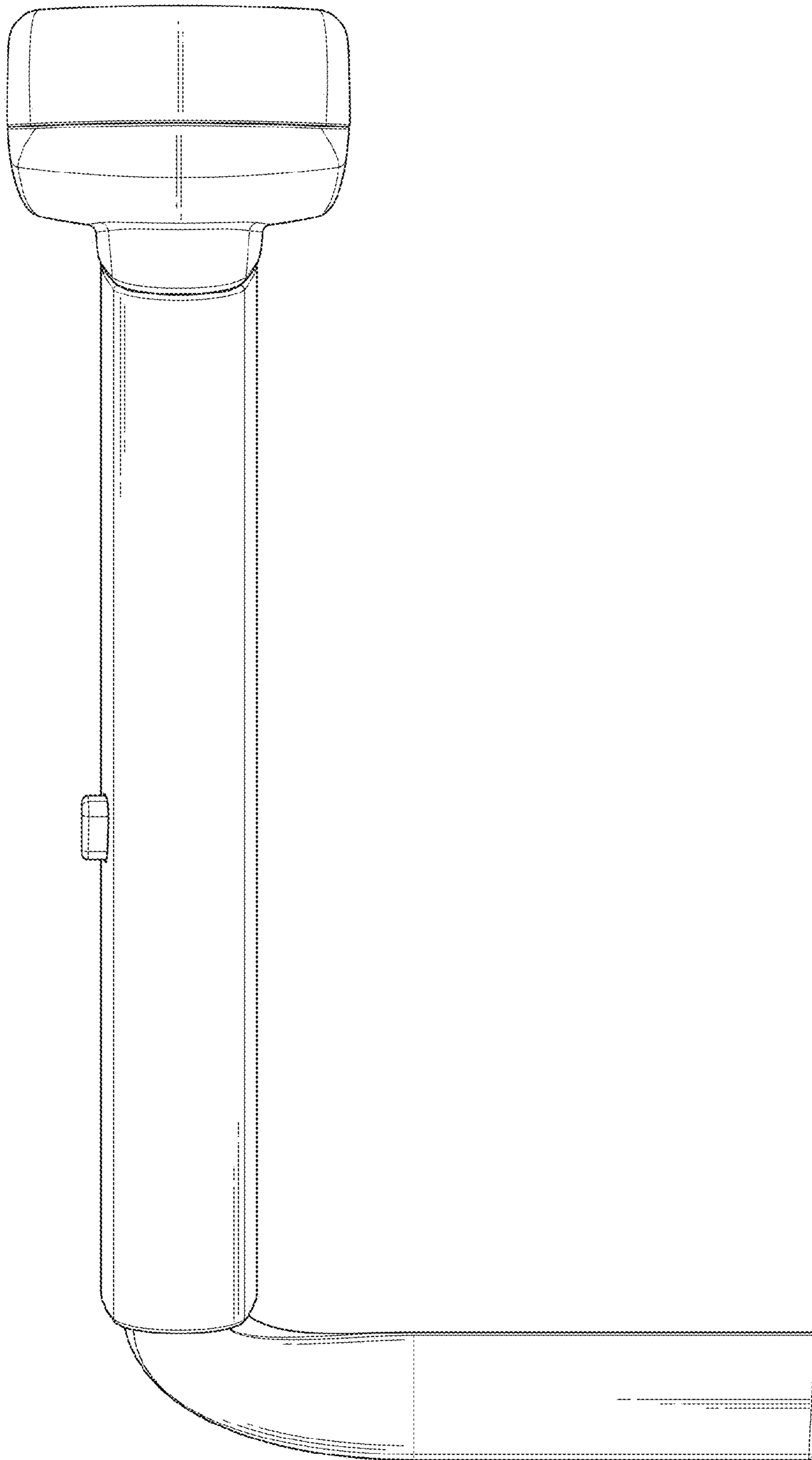


FIG. 3

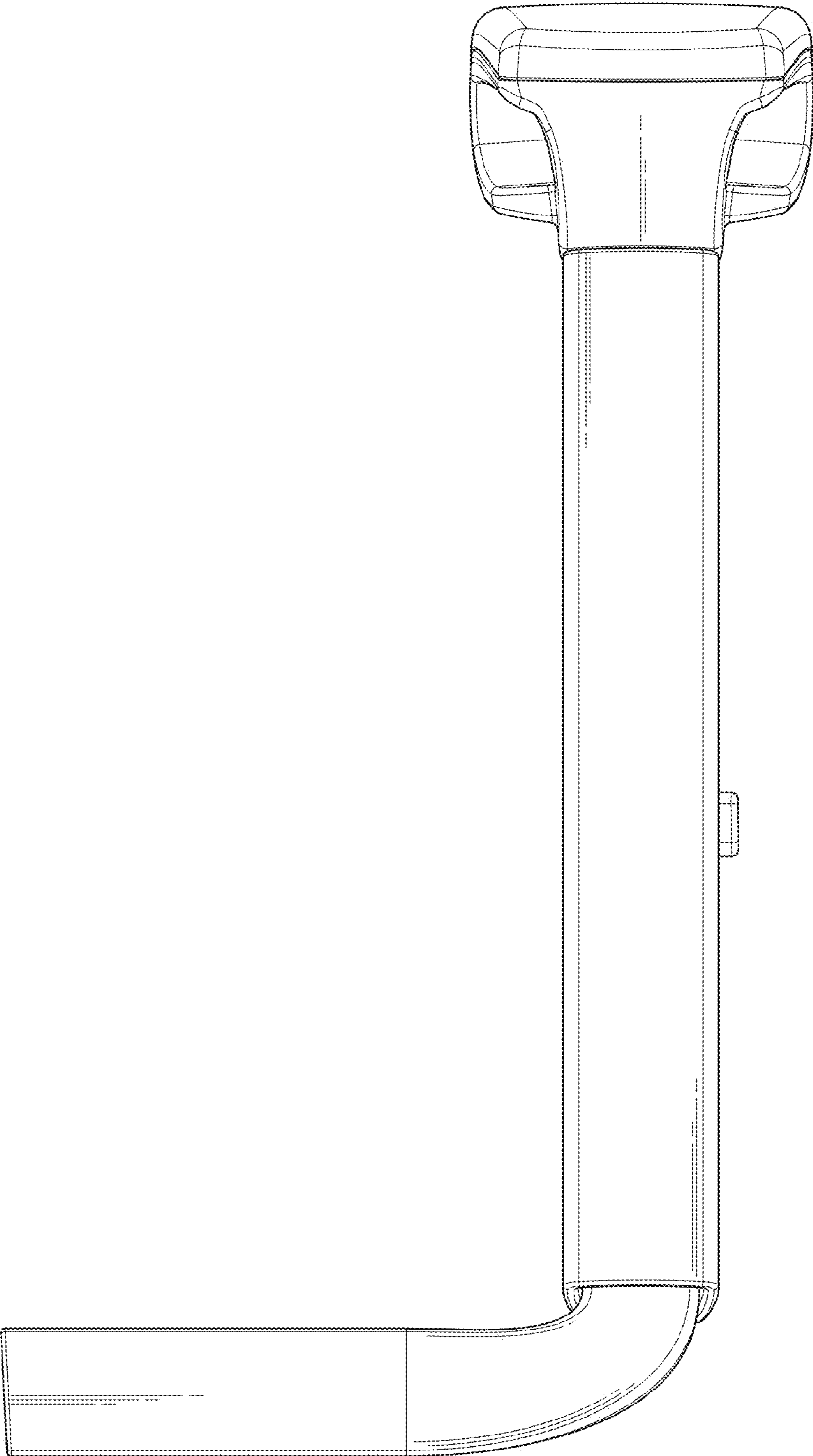
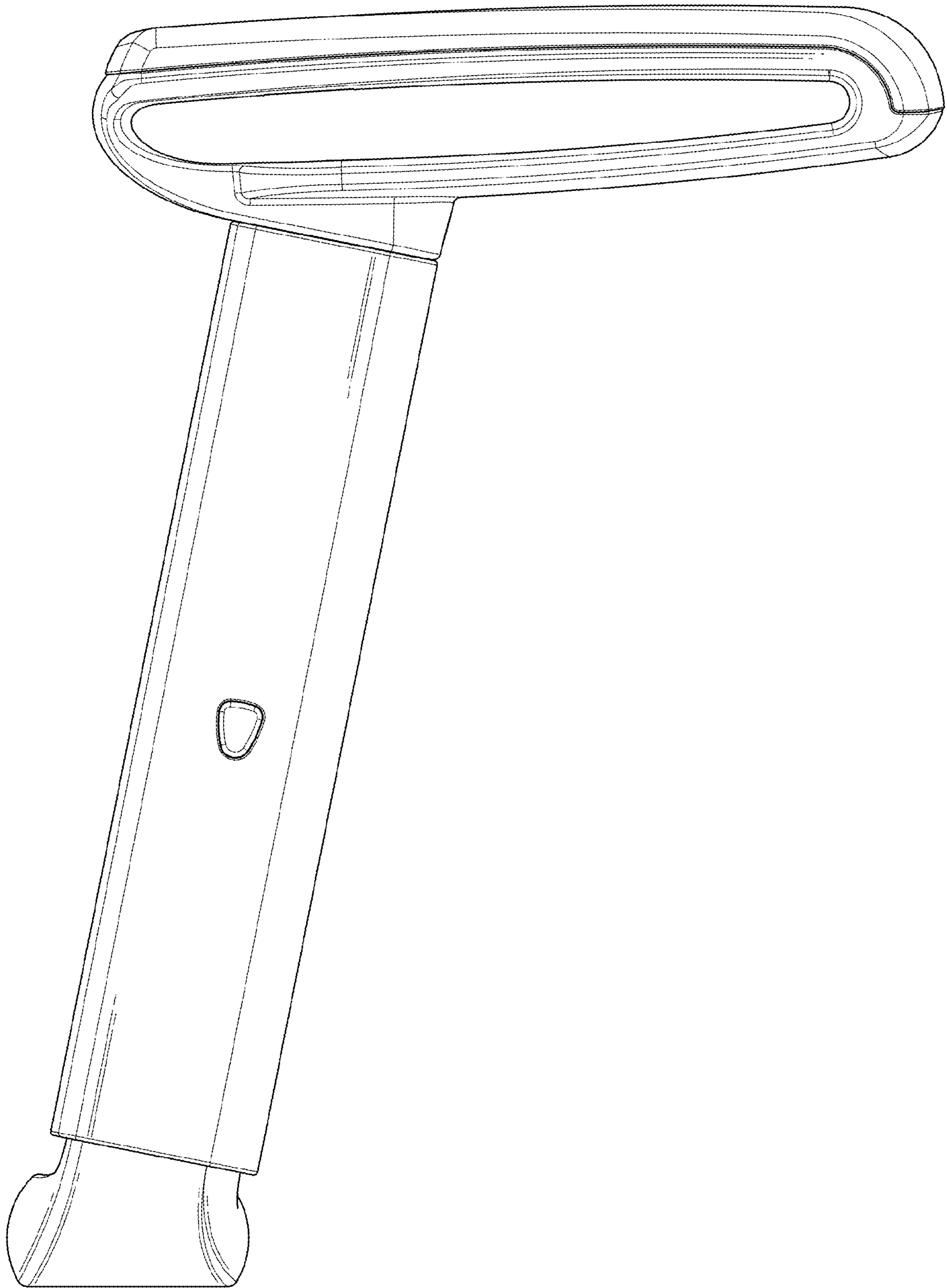
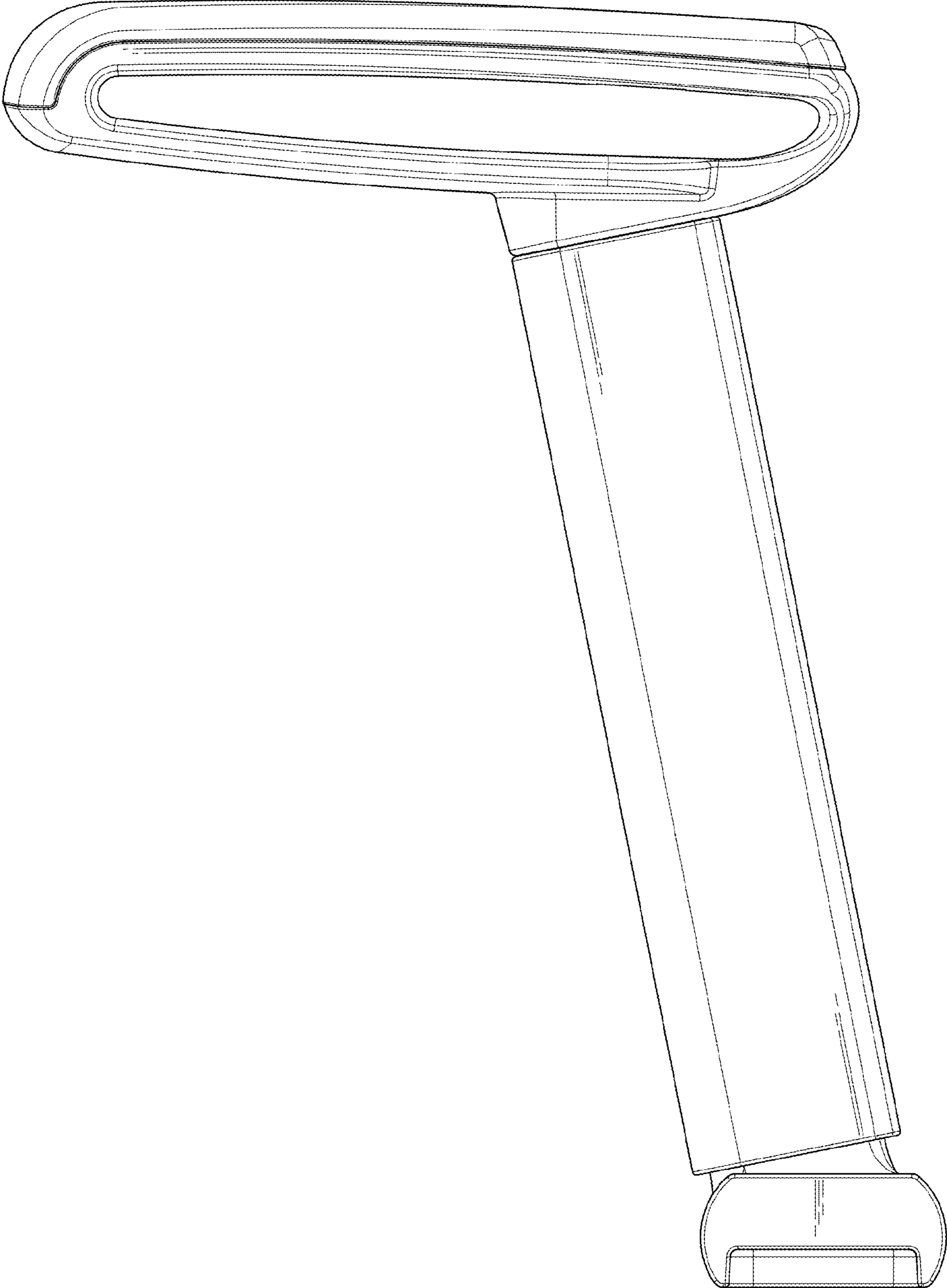


FIG. 4



F I G . 5



F I G . 6

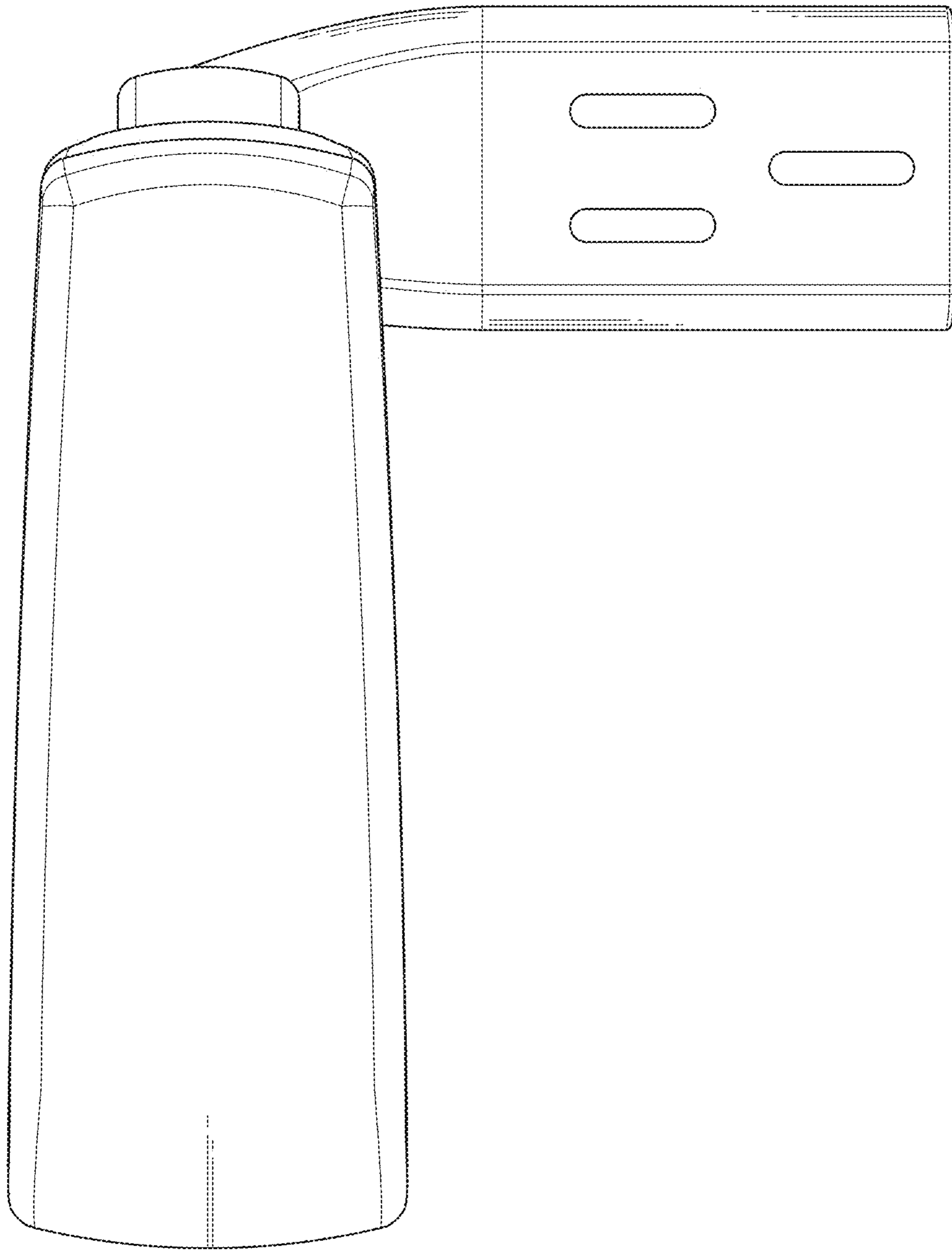


FIG. 7

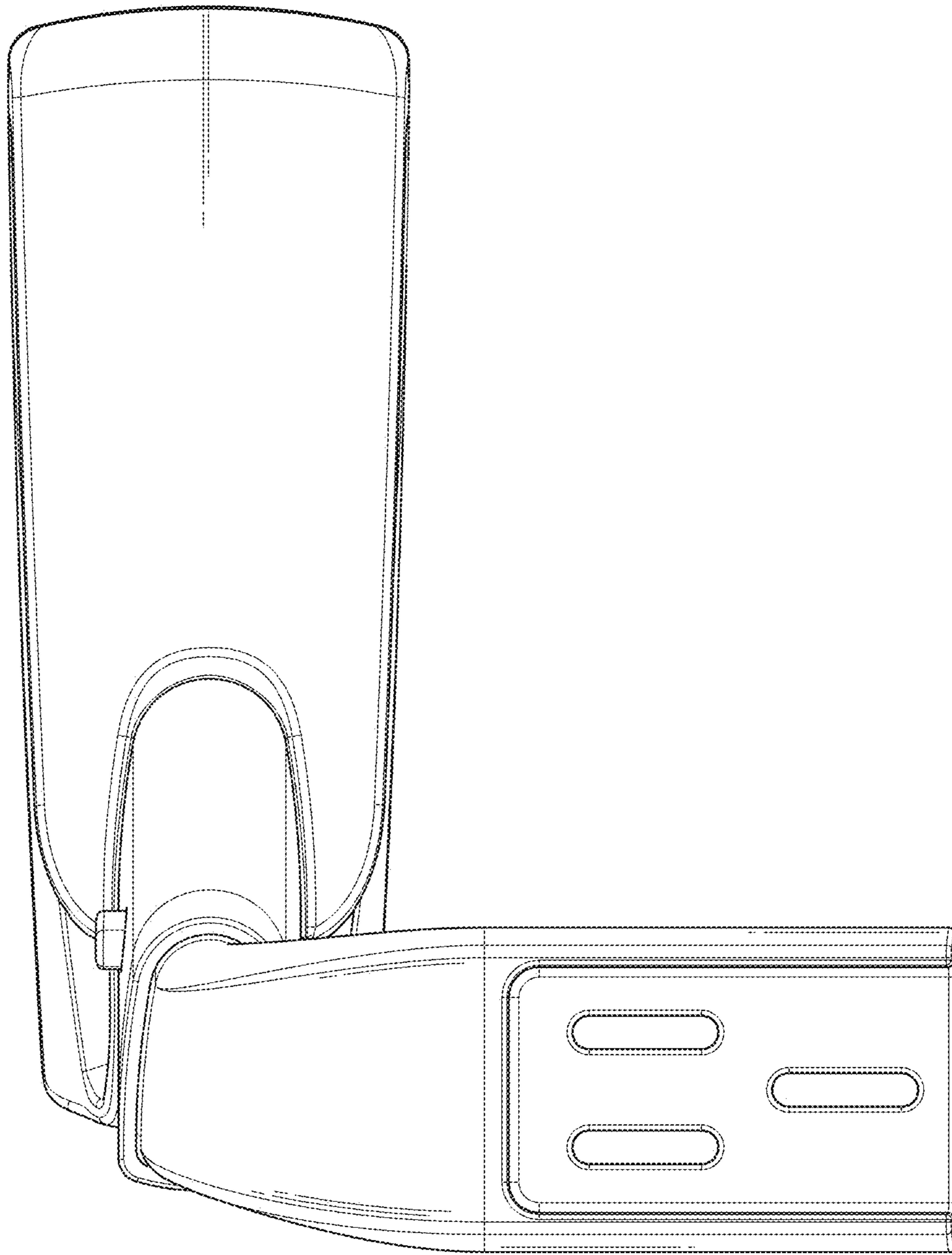


FIG. 8