



US00D923993S

(12) **United States Design Patent** (10) **Patent No.:** **US D923,993 S**  
**Kumazawa** (45) **Date of Patent:** **\*\* Jul. 6, 2021**

(54) **CHAIR**

- (71) Applicant: **AICHI CO., LTD.**, Nagoya (JP)
- (72) Inventor: **Taku Kumazawa**, Nagoya (JP)
- (73) Assignee: **AICHI CO., LTD.**, Nagoya (JP)
- (\*\*) Term: **15 Years**
- (21) Appl. No.: **29/735,061**
- (22) Filed: **May 18, 2020**

**Related U.S. Application Data**

- (62) Division of application No. 35/506,899, filed on Dec. 13, 2018 (U.S. filing date under 35 U.S.C. 384), and  
(Continued)

(30) **Foreign Application Priority Data**

- Jun. 15, 2018 (JP) ..... 2018-013321
- (51) **LOC (13) Cl.** ..... **06-01**
- (52) **U.S. Cl.**  
USPC ..... **D6/716.1**
- (58) **Field of Classification Search**  
USPC ..... D6/334, 335, 362, 364, 365, 370, 702,  
D6/716, 716.1, 714.2, 716.4  
(Continued)

(56) **References Cited**

**U.S. PATENT DOCUMENTS**

- 880,314 A 2/1908 Levin
  - D322,369 S 12/1991 Laird
- (Continued)

**FOREIGN PATENT DOCUMENTS**

- JP D1368798 S 8/2012
  - JP D1368799 S 8/2012
- (Continued)

**OTHER PUBLICATIONS**

Restriction Requirement for U.S. Appl. No. 35/506,899, dated Mar. 19, 2020, 6 pages.  
(Continued)

*Primary Examiner* — Mary Ann Calabrese  
(74) *Attorney, Agent, or Firm* — Withrow & Terranova, P.L.L.C.; Vincent K. Gustafson

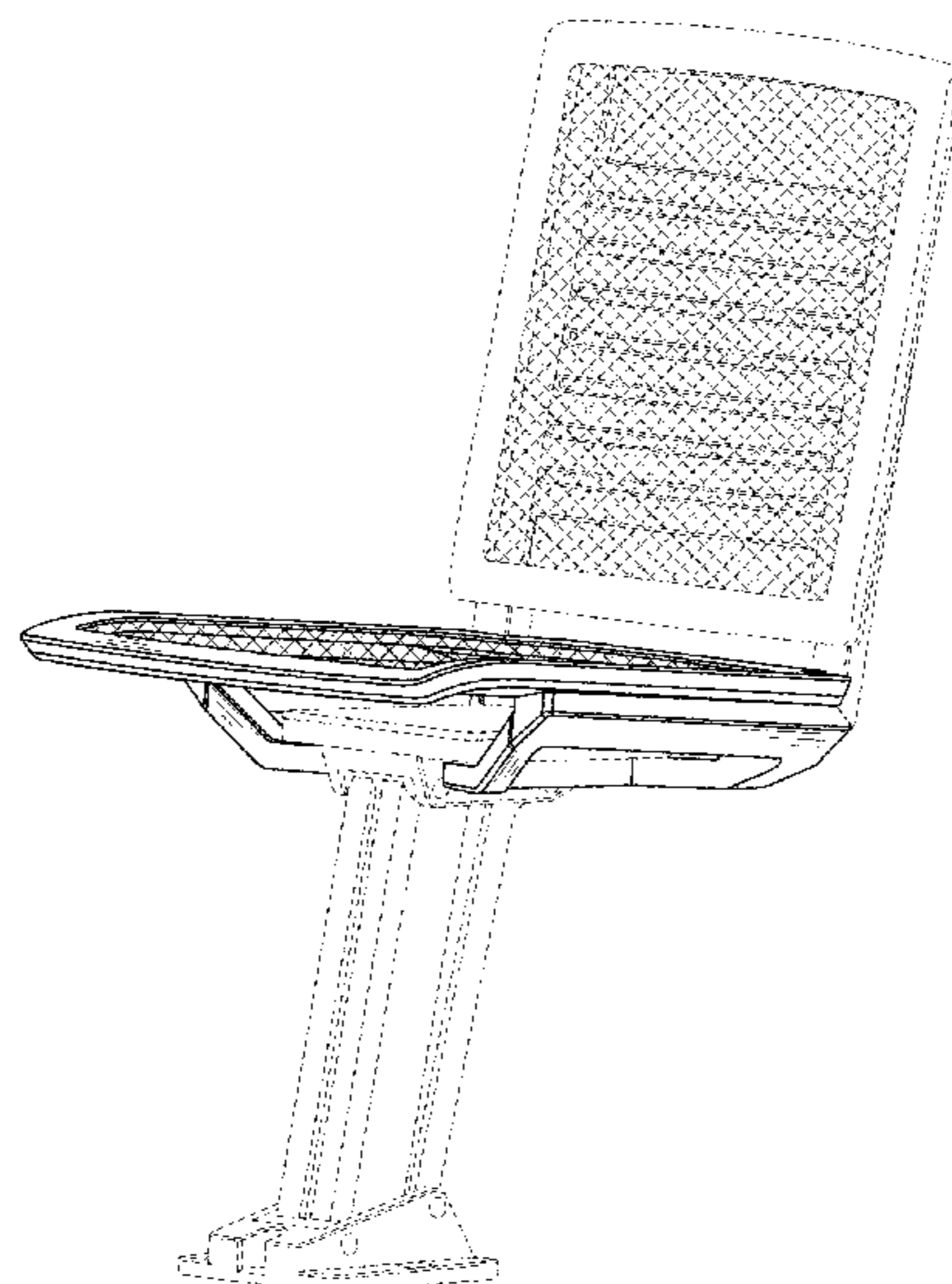
(57) **CLAIM**

The ornamental design for a chair, as shown and described.

**DESCRIPTION**

FIG. 1 is a front elevational view of the chair showing my design;  
 FIG. 2 is a rear elevational view of the chair;  
 FIG. 3 is a top plan view of the chair;  
 FIG. 4 is a bottom plan view of the chair;  
 FIG. 5 is a right side elevational view of the chair;  
 FIG. 6 is a cross-sectional view of the chair taken along line 6-6 in FIG. 3;  
 FIG. 7 is an enlarged portion corresponding to window 7 in FIG. 6;  
 FIG. 8 is a cross-sectional view of the chair taken along line 8-8 in FIG. 5;  
 FIG. 9 is a front perspective view of the chair; and,  
 FIG. 10 is a rear perspective view of the chair.  
 The left side elevational view of the chair is omitted because it is a mirror image of the right side elevational view.  
 Throughout the Figures, portions represented by evenly dashed broken lines are not parts of the claimed design. The dot-dash broken lines show the boundaries of the claim and form no part thereof.

**1 Claim, 10 Drawing Sheets**



**Related U.S. Application Data**

having an international filing date of Dec. 13, 2018,  
now Pat. No. Des. 896,539.

(58) **Field of Classification Search**

CPC .. A47C 1/00; A47C 1/121; A47C 3/00; A47C  
4/00; A47C 5/00; A47C 7/00; A47C 7/02;  
A47C 7/029; A47C 7/24; A47C 7/36;  
A47C 7/40; A47C 7/56; A47C 9/00

See application file for complete search history.

(56) **References Cited**

U.S. PATENT DOCUMENTS

D345,469 S \* 3/1994 Wirth ..... D6/355  
D445,269 S 7/2001 Mitjans  
D609,944 S 2/2010 Kumazawa

D637,839 S 5/2011 Piretti  
D638,634 S 5/2011 Figueras Mitjans  
D648,554 S 11/2011 Smith  
D656,335 S 3/2012 Kumazawa  
D660,612 S 5/2012 Smith  
D896,539 S \* 9/2020 Kumazawa ..... D6/364  
2004/0195897 A1 10/2004 Mitjans

FOREIGN PATENT DOCUMENTS

JP D1385485 S 4/2013  
JP D1417142 S 6/2014

OTHER PUBLICATIONS

Notice of Allowance for U.S. Appl. No. 35/506,899, dated Jun. 8,  
2020, 8 pages.

\* cited by examiner

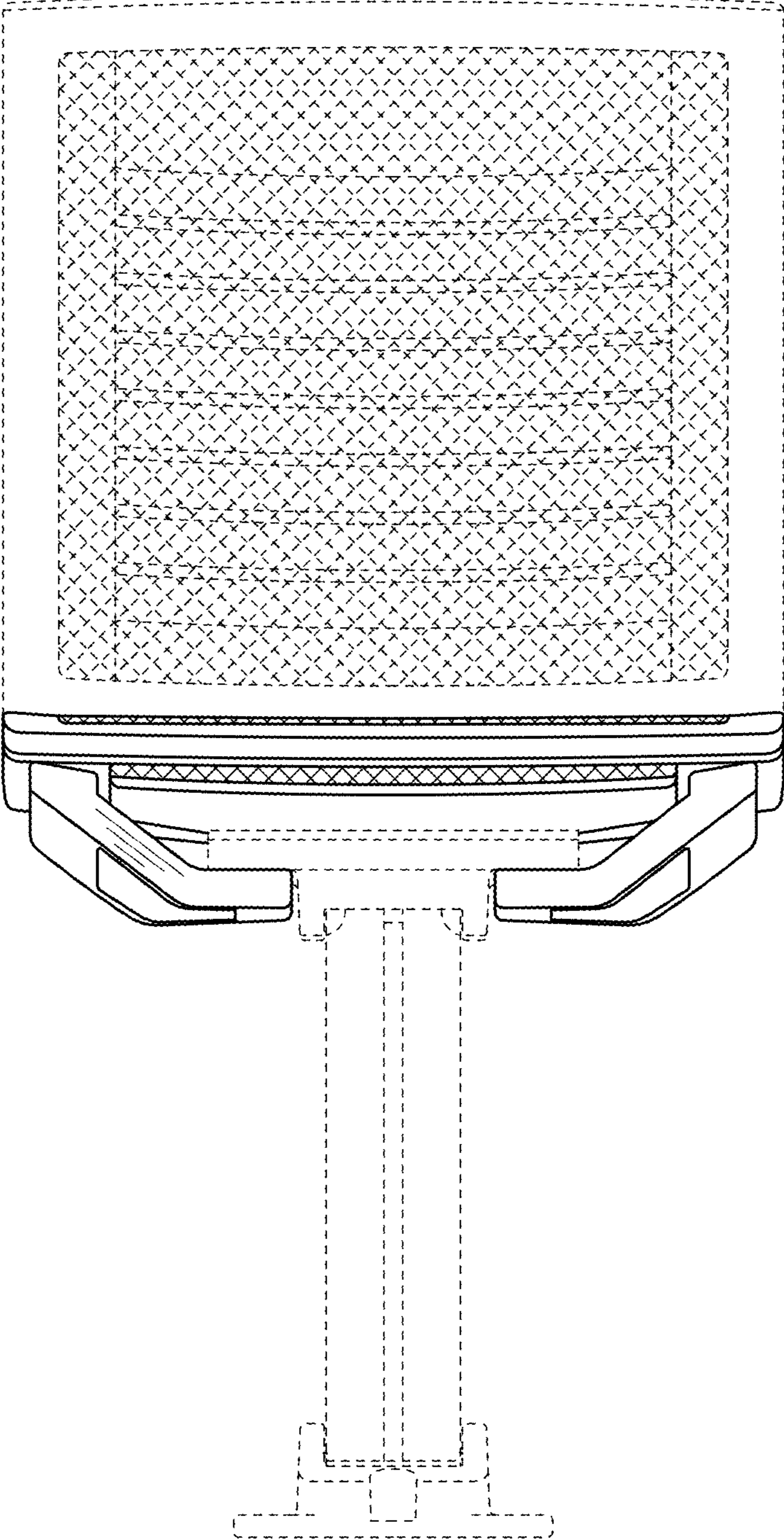


FIG. 1

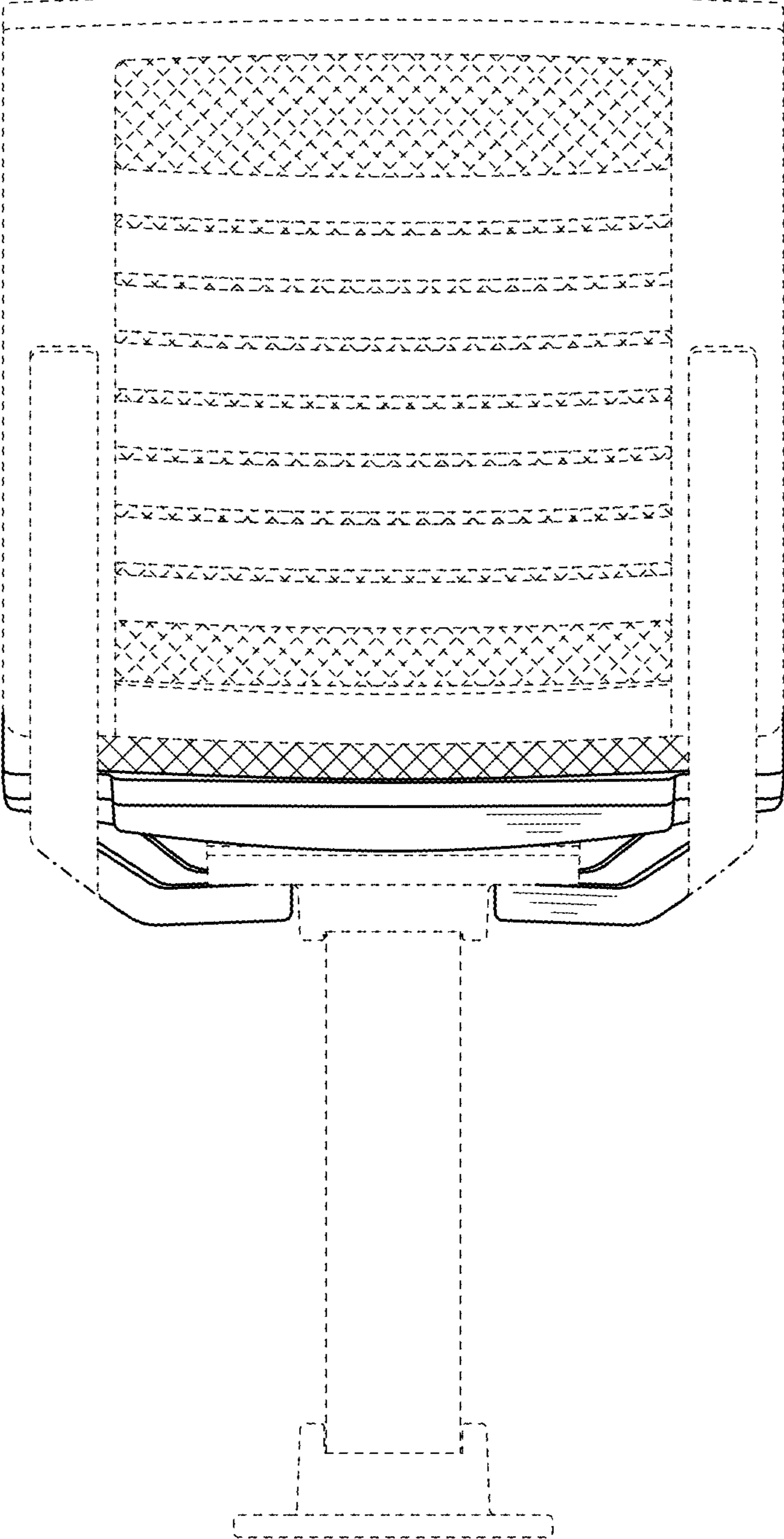


FIG. 2

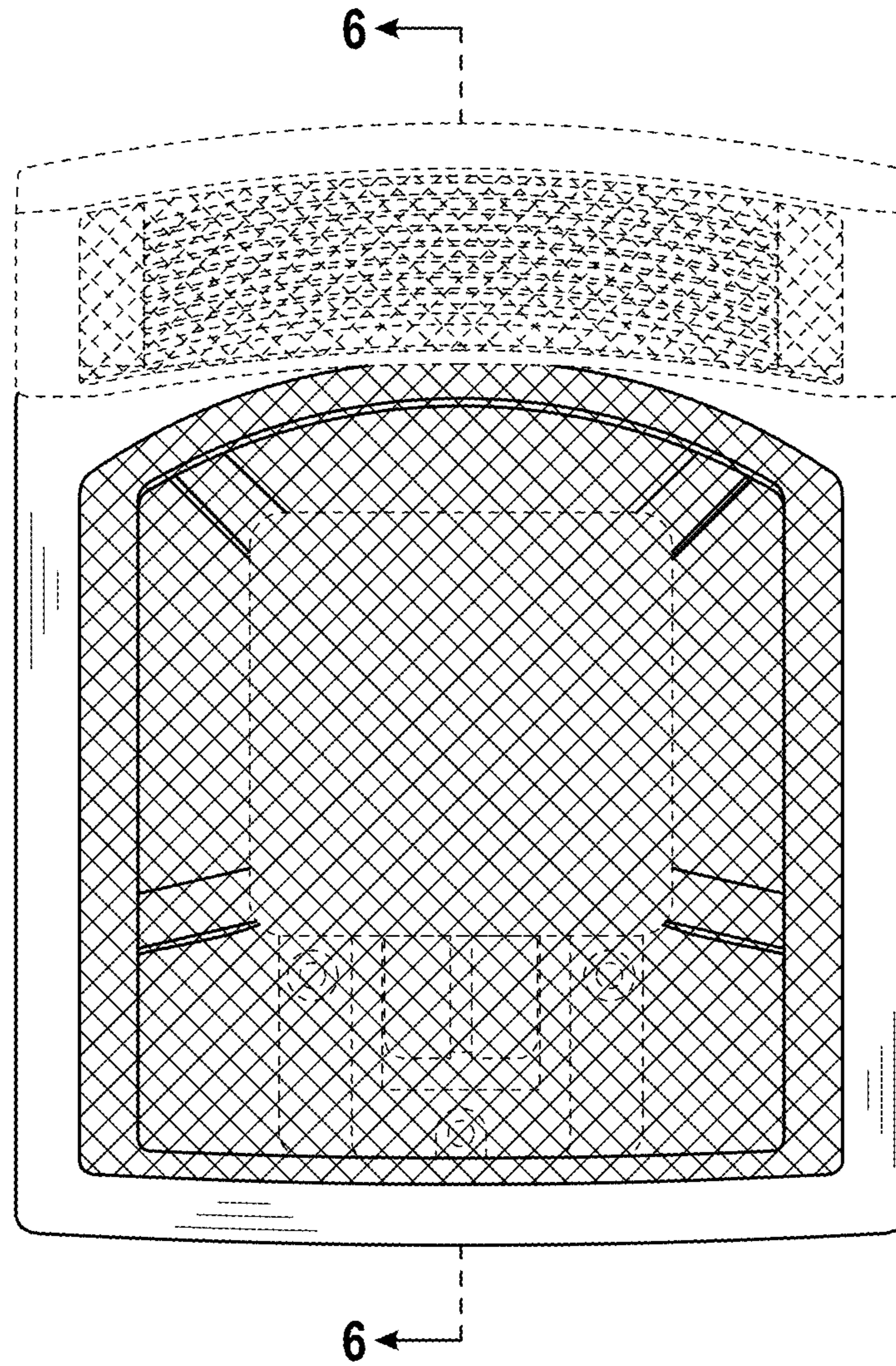


FIG. 3

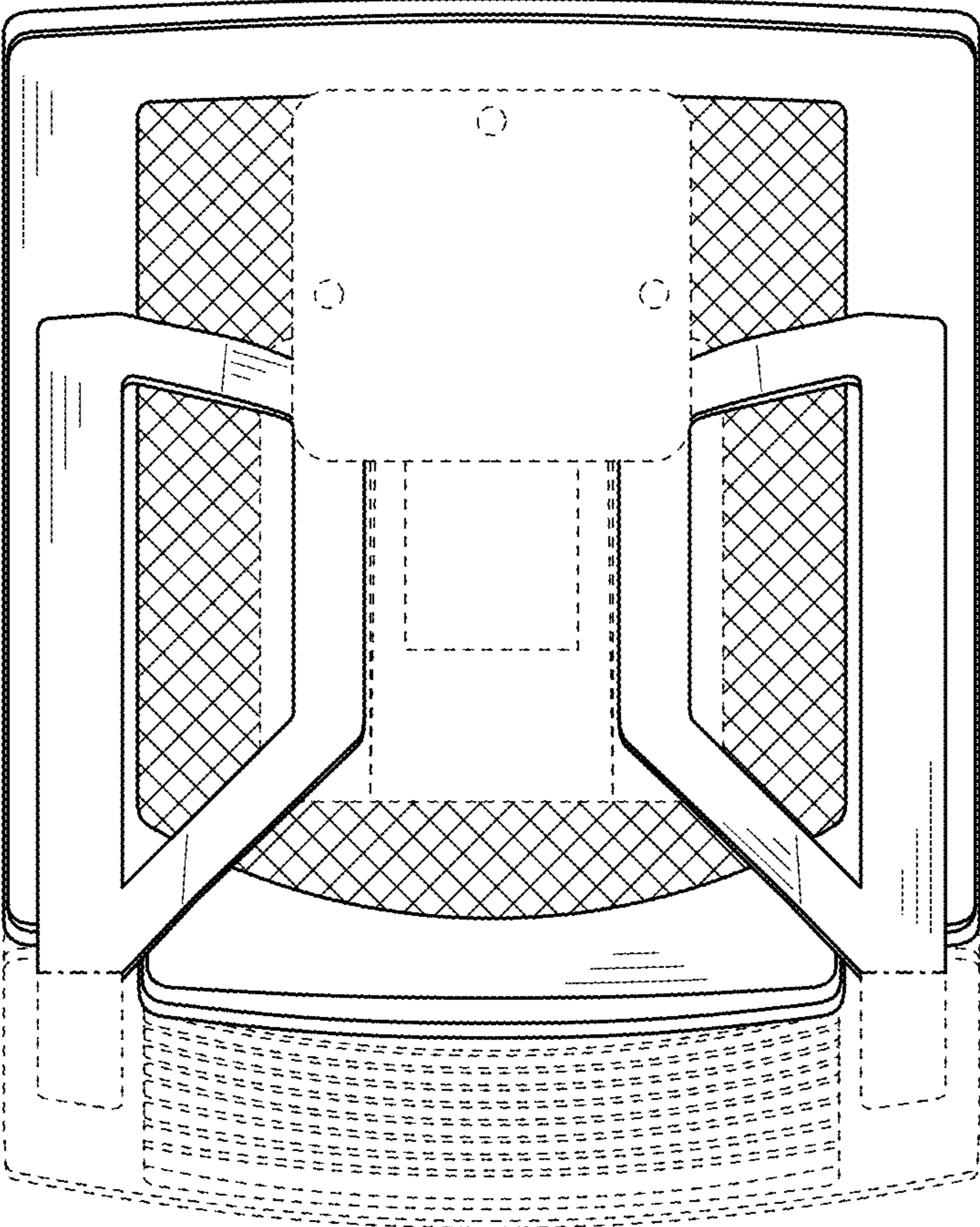


FIG. 4

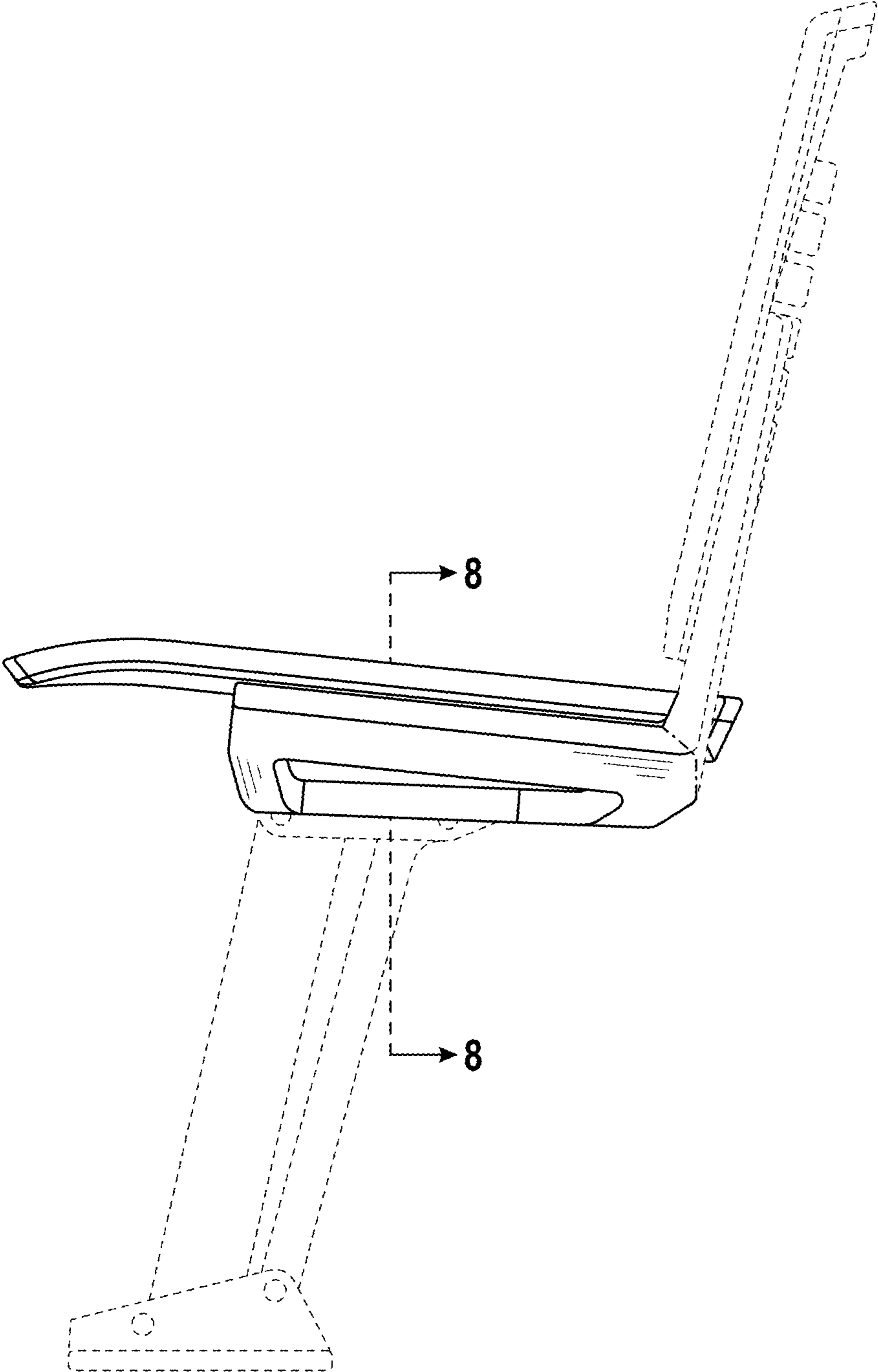


FIG. 5

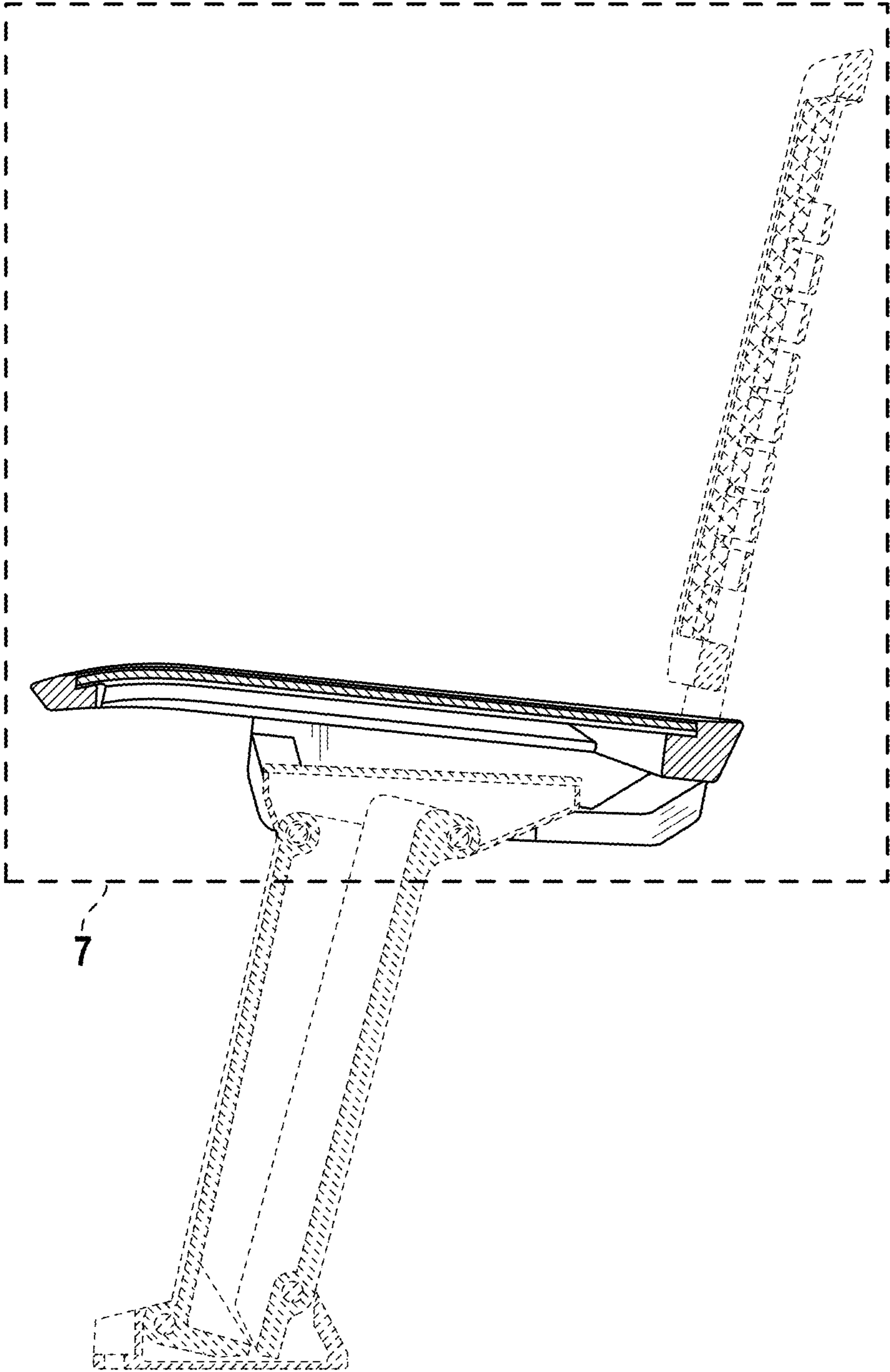


FIG. 6



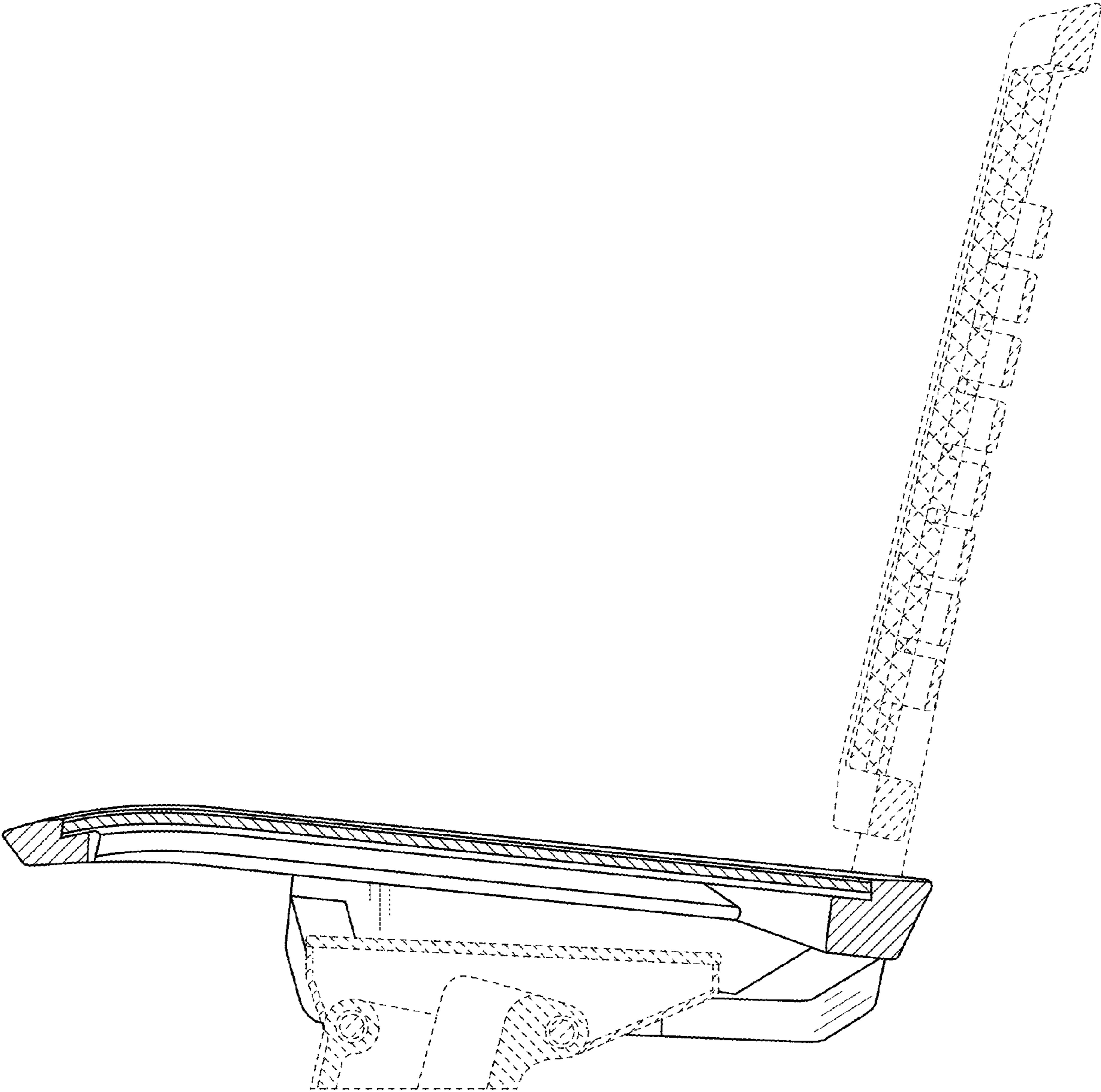


FIG. 7

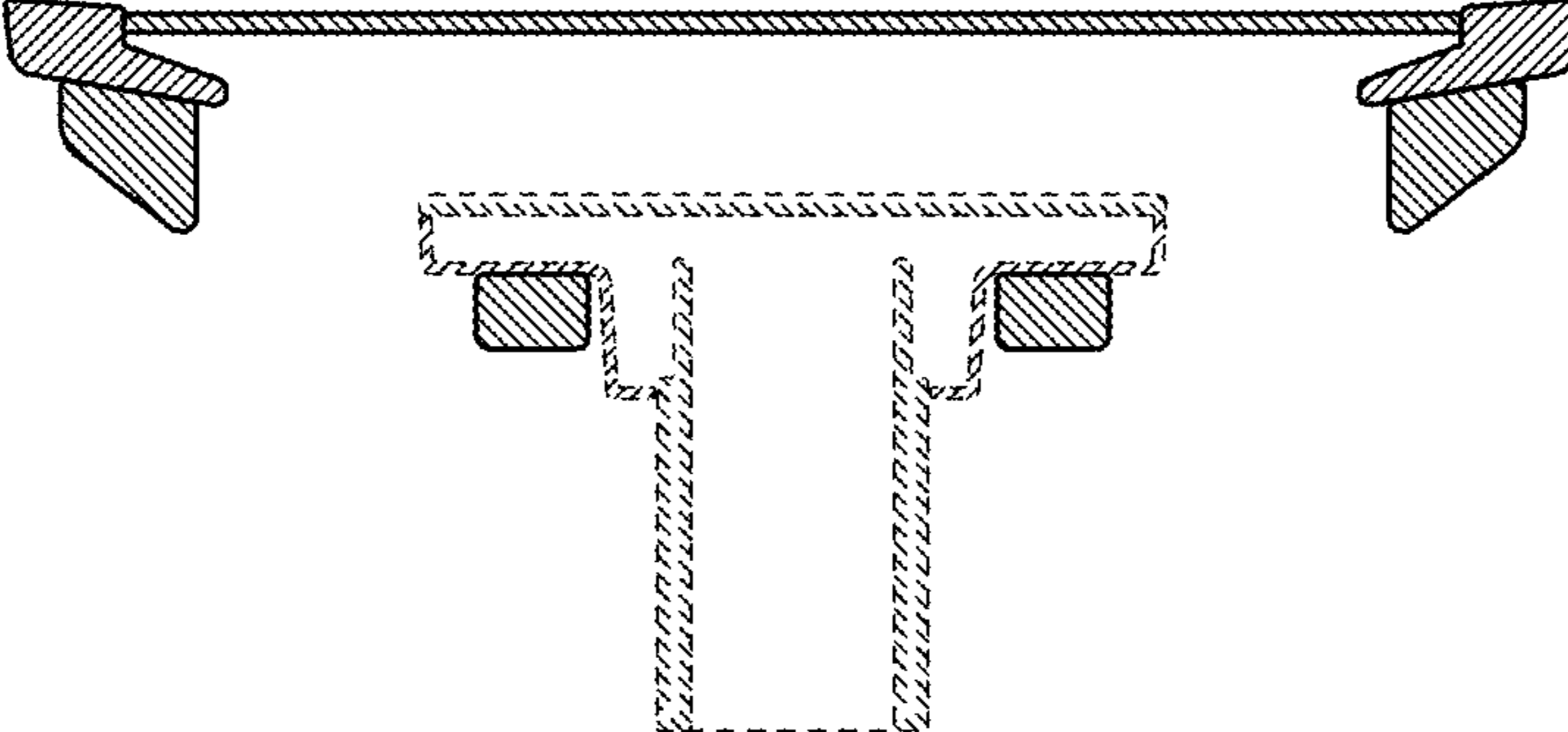


FIG. 8

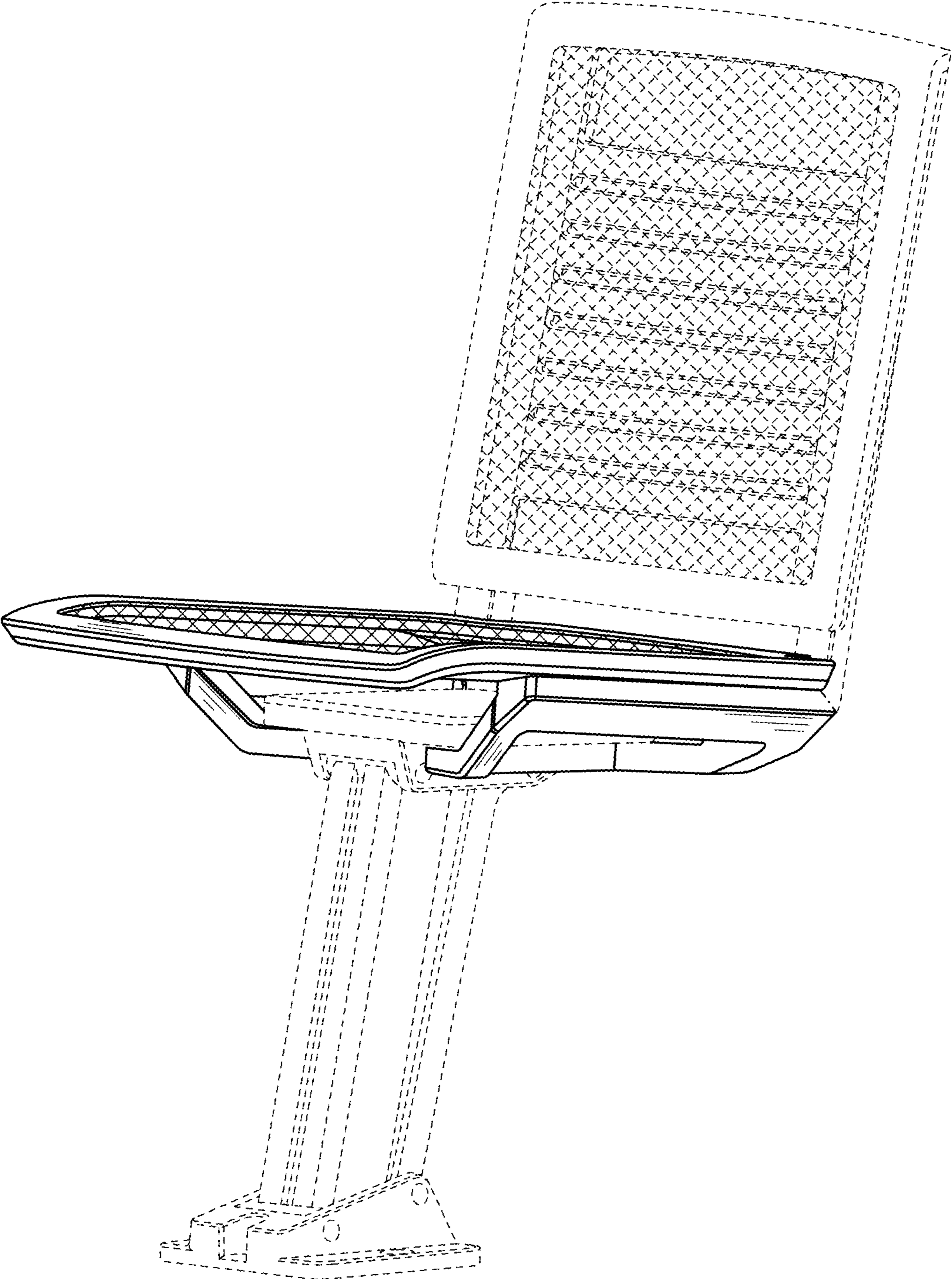


FIG. 9

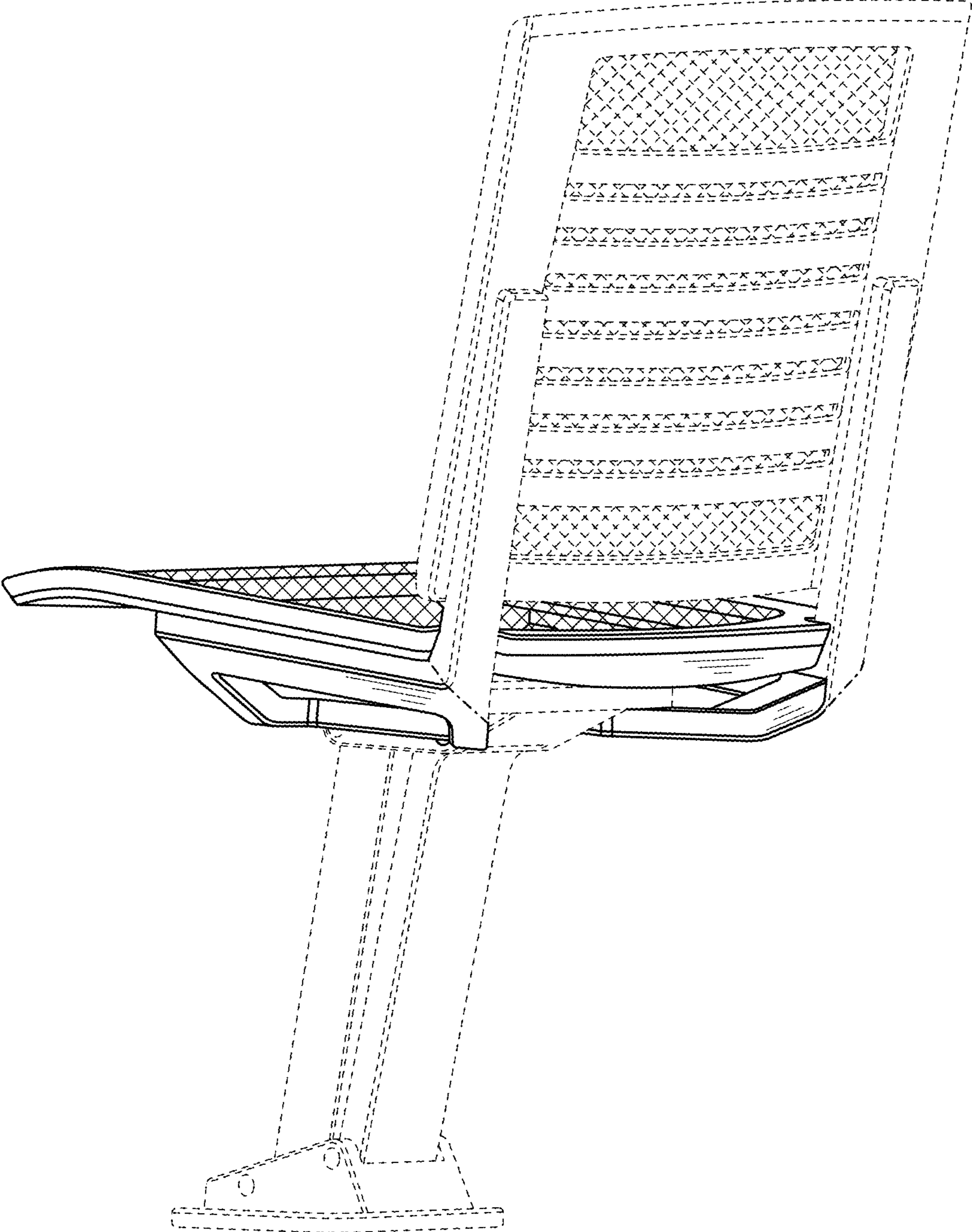


FIG. 10