



US00D923991S

(12) **United States Design Patent** (10) **Patent No.:** **US D923,991 S**
Marsden (45) **Date of Patent:** **** Jul. 6, 2021**

(54) **TREAD FOR A STEP**
(71) Applicant: **Elbee Pty Ltd.**, Bondi Junction (AU)
(72) Inventor: **Andrew Marsden**, Hingham, MA (US)
(73) Assignee: **Elbee Pty Ltd.**, Bondi Junction (AU)
(**) Term: **15 Years**

D666,182 S * 8/2012 Zheng D14/248
D724,866 S * 3/2015 Johnson D6/606
D743,091 S 11/2015 Degrandis et al.
10,123,669 B2 11/2018 Edwards
10,368,638 B2 * 8/2019 Hui A47B 83/02
D865,386 S * 11/2019 Sphikas D6/350
2008/0257280 A1 * 10/2008 Jakubowski A01K 1/035
119/849
2015/0359390 A1 * 12/2015 Goetz A47C 3/04
4/611

(21) Appl. No.: **29/705,724**
(22) Filed: **Sep. 13, 2019**
(51) **LOC (13) Cl.** **06-06**
(52) **U.S. Cl.**
USPC **D6/716**
(58) **Field of Classification Search**
USPC D6/334-338, 340-343, 349-353, 355,
D6/364-365, 372, 374, 691-691.1,
D6/692-692.6, 716-716.1; D25/63, 65
CPC A47B 7/00-02; A47C 11/00; A47C 12/00;
A47C 13/00; A47C 16/00; A47C
16/02-04; A47C 9/00-105; A47K 17/02;
A47K 17/028
See application file for complete search history.

OTHER PUBLICATIONS

Two-Step Plastic Step Stool. [online] Retrieved Nov. 17, 2020 from
URL: <https://www.menards.com/main/paint/ladders-scaffolding/step-stools-step-ladders/two-step-plastic-step-stool-250-lb-max/41309/p-4364363663400790.htm>.*

(Continued)

Primary Examiner — Vy N Koenig
(74) *Attorney, Agent, or Firm* — Wolf, Greenfield &
Sacks, P.C.

(57) **CLAIM**

The ornamental design for a tread for a step, as shown and described.

DESCRIPTION

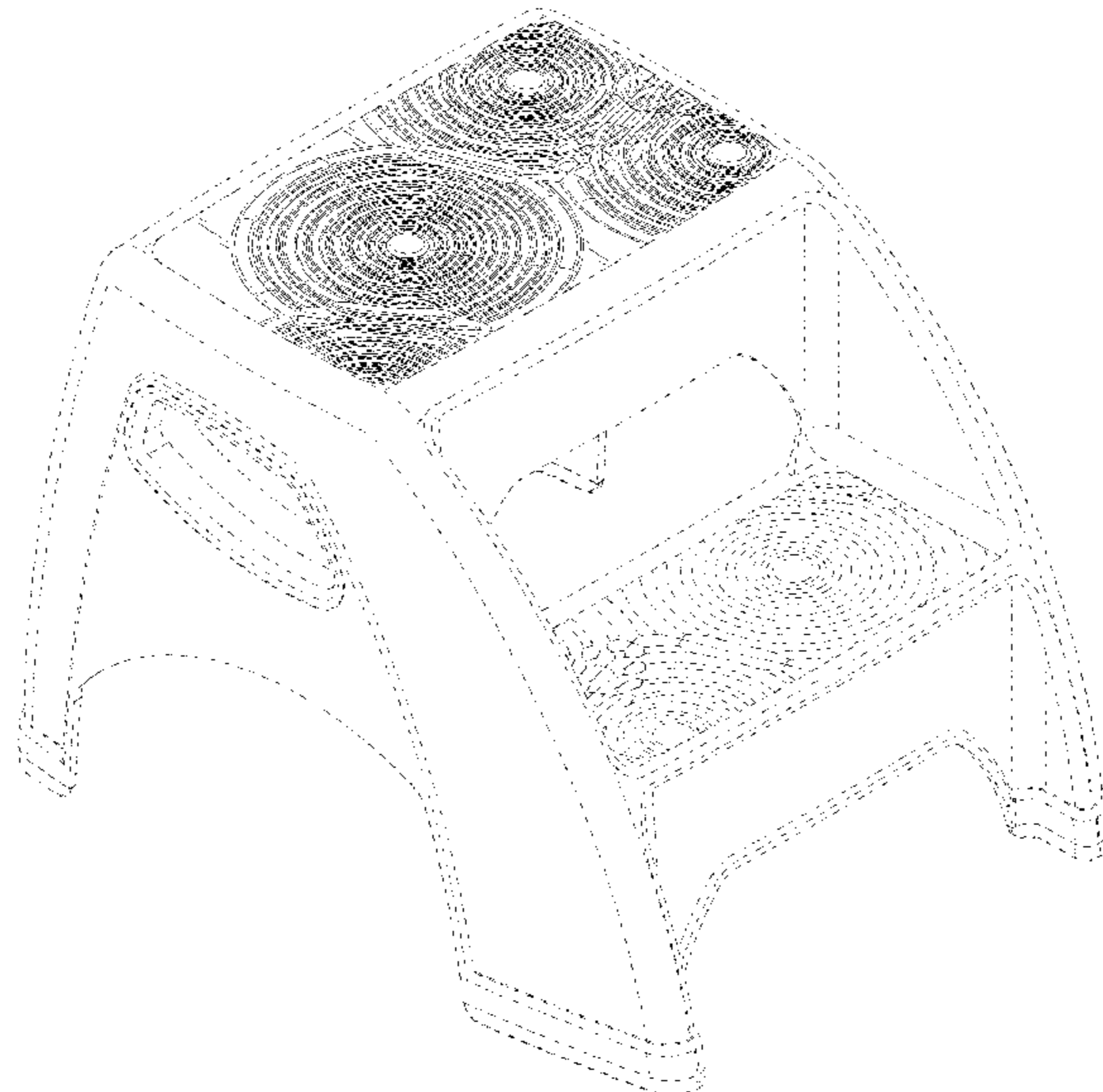
FIG. 1 is a top, front, and left side perspective view of a tread for a step according to our new design;
FIG. 2 is a front elevation view thereof;
FIG. 3 is a rear elevation view thereof;
FIG. 4 is a left side elevation view thereof;
FIG. 5 is a right side elevation view thereof;
FIG. 6 is a top plan view thereof; and,
FIG. 7 is a bottom plan view thereof.
The dash-dash broken lines illustrate portions of the tread for a step that form no part of the claimed design. The dot-dash broken lines represent boundaries of the claim and form no part of the claimed design.

1 Claim, 7 Drawing Sheets

(56) **References Cited**

U.S. PATENT DOCUMENTS

D307,800 S * 5/1990 Hradisky D25/65
5,094,505 A * 3/1992 Nichols A47C 12/02
182/33.3
D335,966 S * 6/1993 Schwartzkopf D6/349
D351,476 S * 10/1994 Grosfillex D25/63
D414,566 S * 9/1999 Gibson D25/65
D443,072 S * 5/2001 Schultz D25/65
D449,386 S * 10/2001 Cheris D25/65
D563,685 S * 3/2008 Adams D6/350
D597,684 S * 8/2009 Genova D25/63
D600,929 S 9/2009 Kemnitzer
D606,768 S * 12/2009 Tu D6/350
D618,229 S * 6/2010 de Jong D14/250
D636,396 S * 4/2011 Li D14/439



(56)

References Cited

OTHER PUBLICATIONS

Top 5 Best Plastic Step Stool Review in 2020. [online] Retrieved Nov. 17, 2020 from URL: <https://greathomedepot.com/plastic-step-stool/>.*

[No Author Listed] Rolling Step Stool—Black, Model No. H-7846BL. Uline. <https://www.uline.com/Product/Detail/H-7846BL/Ladders/Rolling-Step-Stool-Black?pricode=WB8203&gadtype=pla&id=H-7846BL&gclid=>

[EAJaiQobChMirOCd9pLj4wIVBVYMCh2rbgiyEAQYAyABEgLkBPD_BwE&gclsrc=aw.ds](https://www.uline.com/Product/Detail/H-7846BL/Ladders/Rolling-Step-Stool-Black?pricode=WB8203&gadtype=pla&id=H-7846BL&gclid=EAJaiQobChMirOCd9pLj4wIVBVYMCh2rbgiyEAQYAyABEgLkBPD_BwE&gclsrc=aw.ds), publicly available at least as early as Aug. 4, 2019, 1 page.

[No Author Listed] Dreambaby Step Stool. Publicly available prior to Sep. 13, 2018. 1 page.

[No Author Listed] Ubbi Step Stool. Publicly available prior to Sep. 13, 2019, 1 page.

* cited by examiner

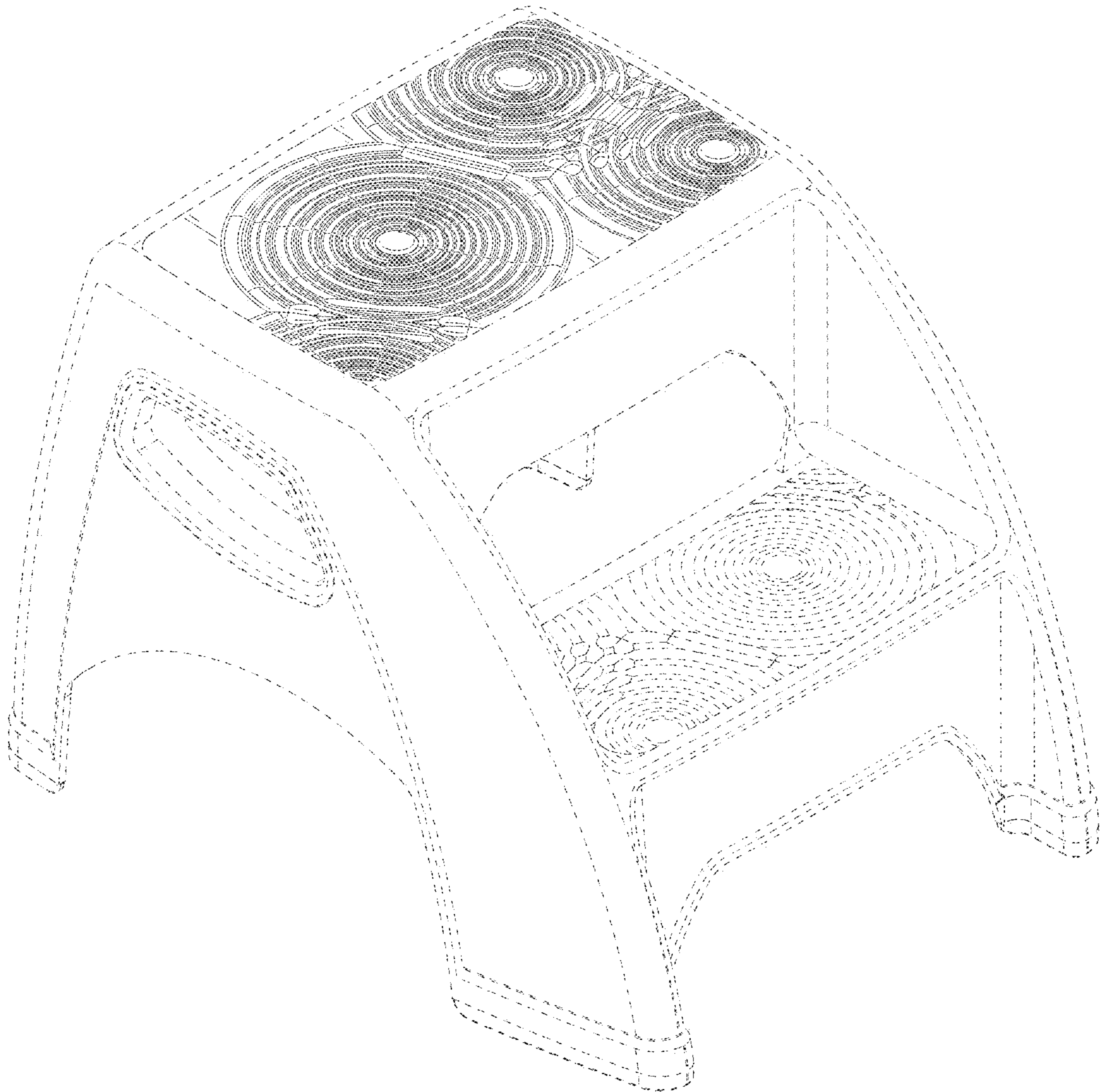


FIG. 1

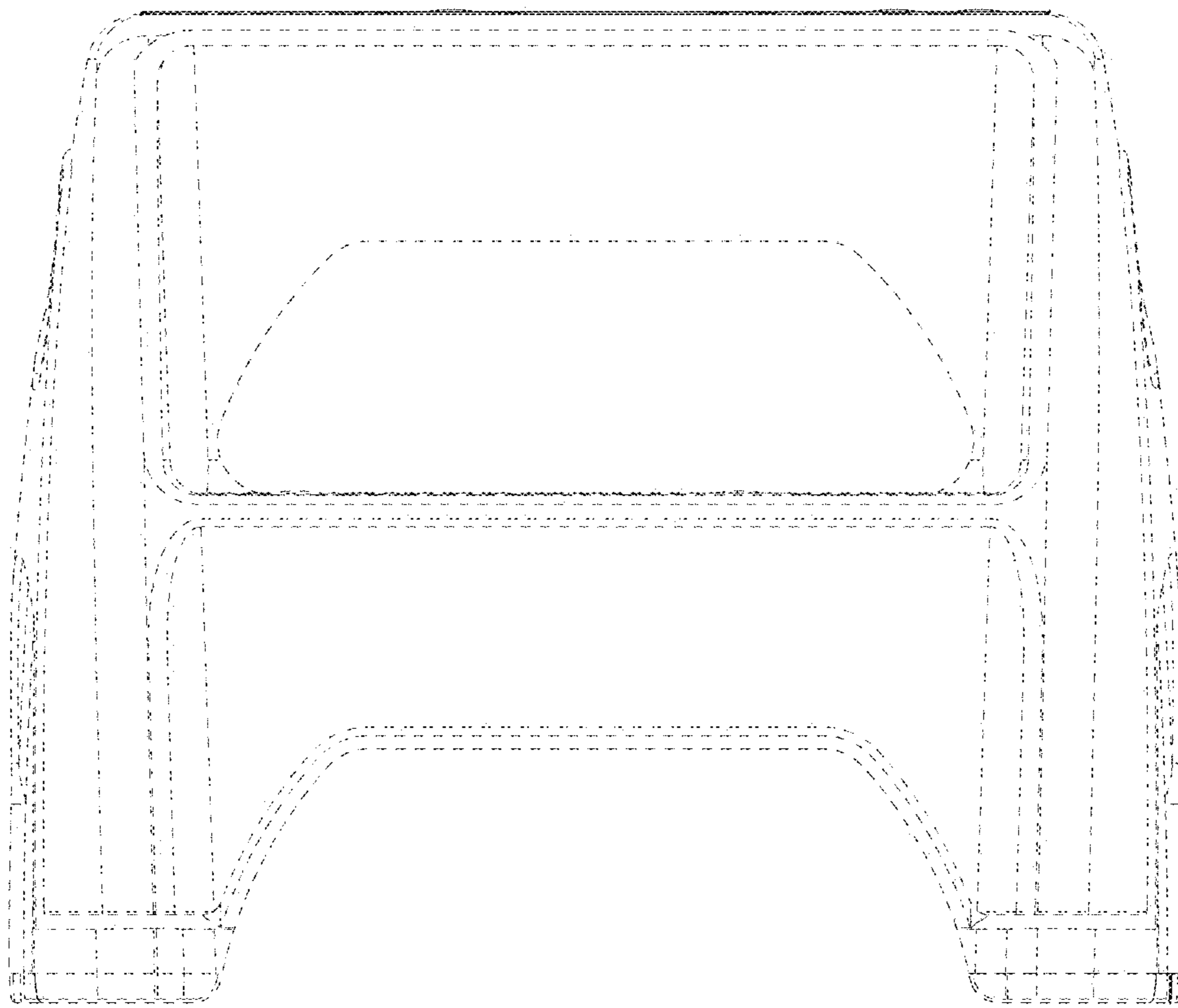


FIG. 2

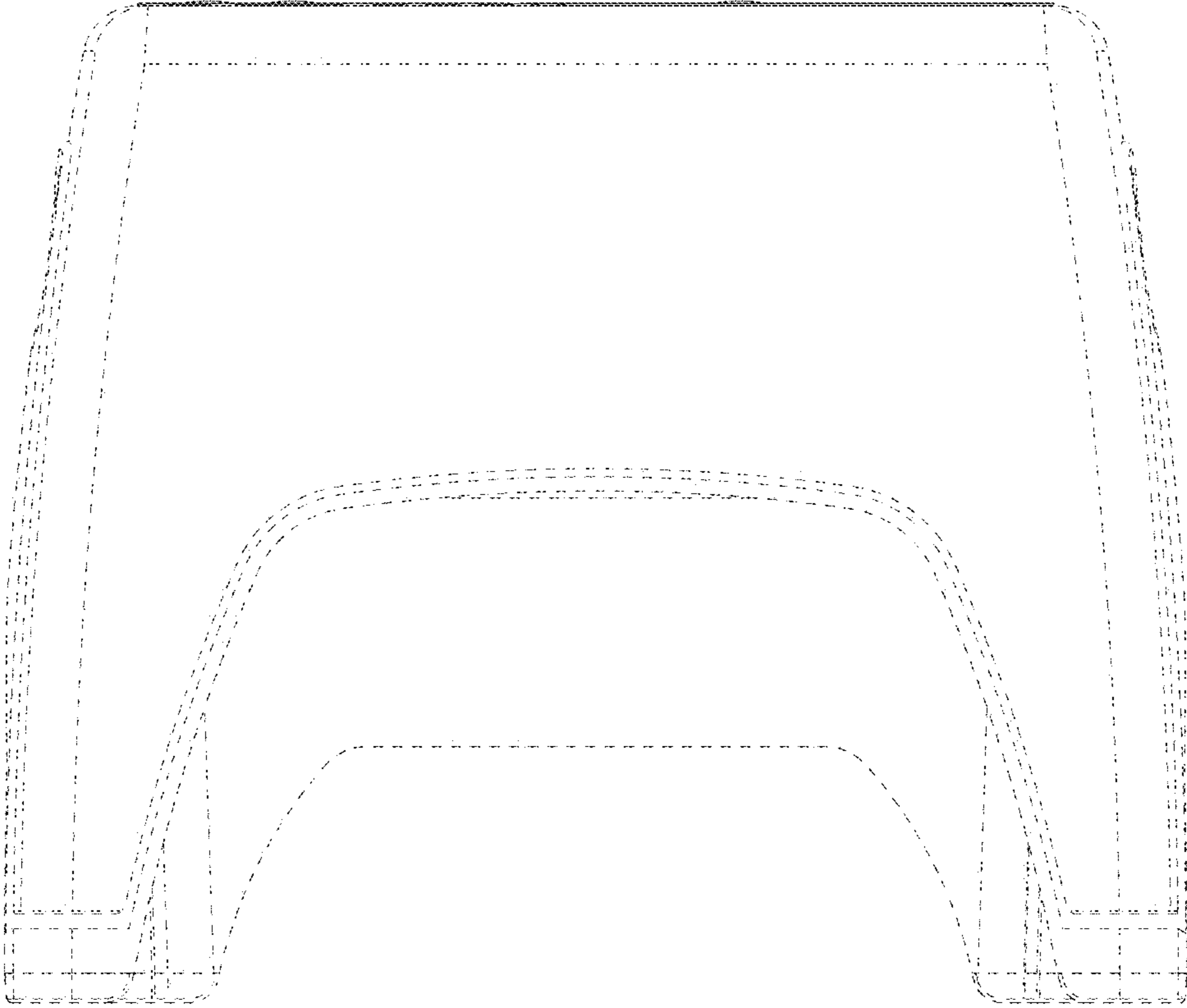


FIG. 3

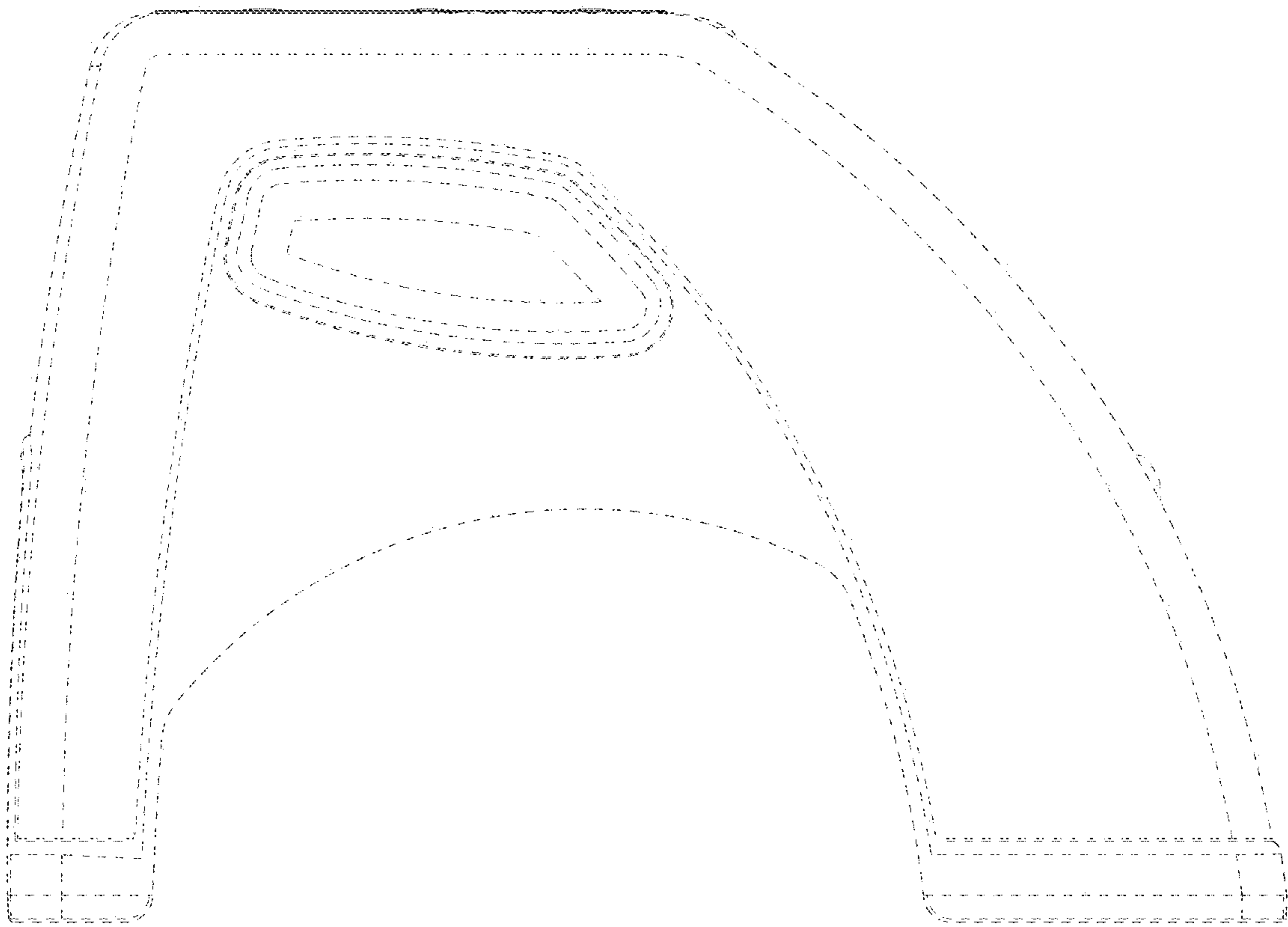


FIG. 4

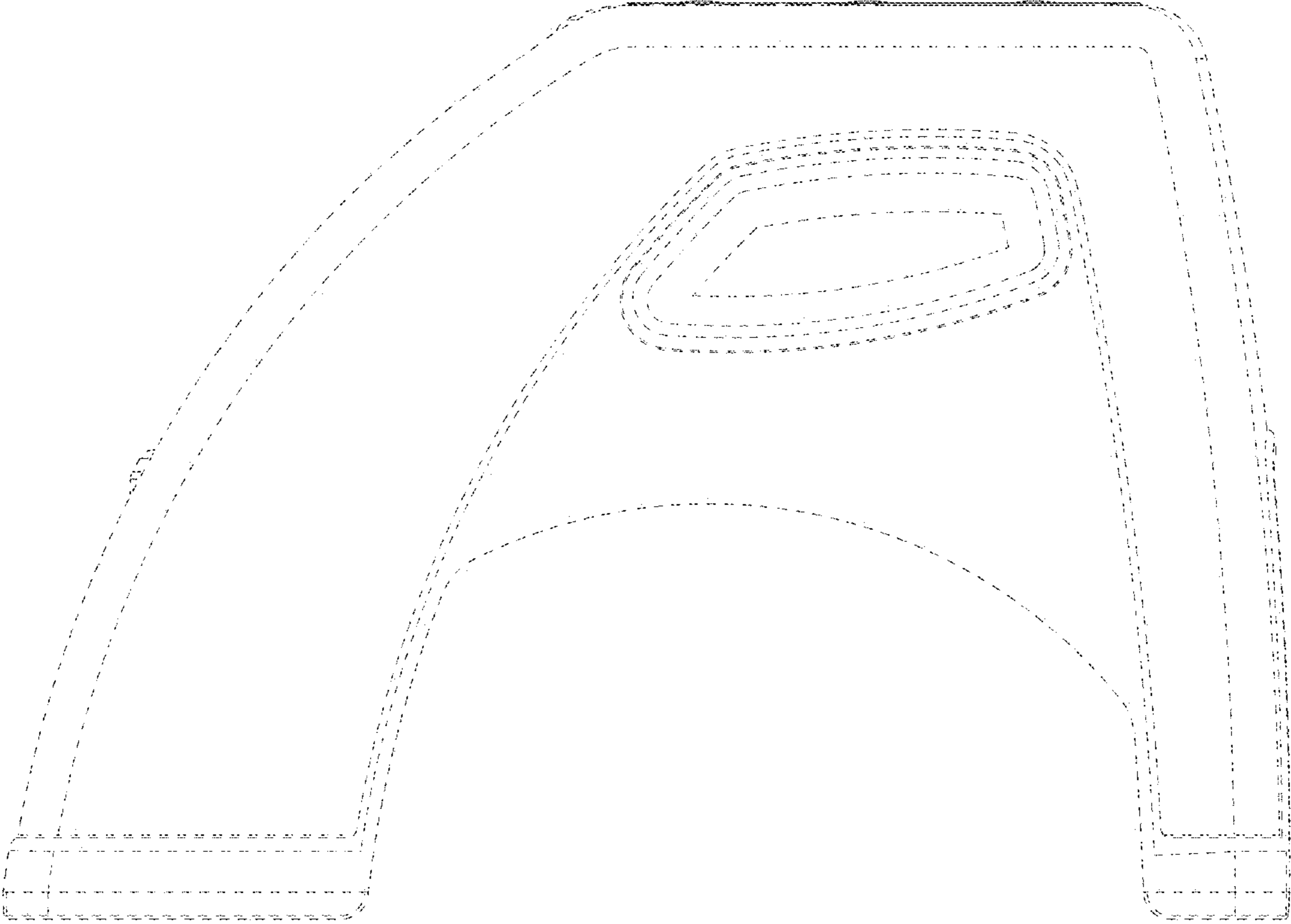


FIG. 5

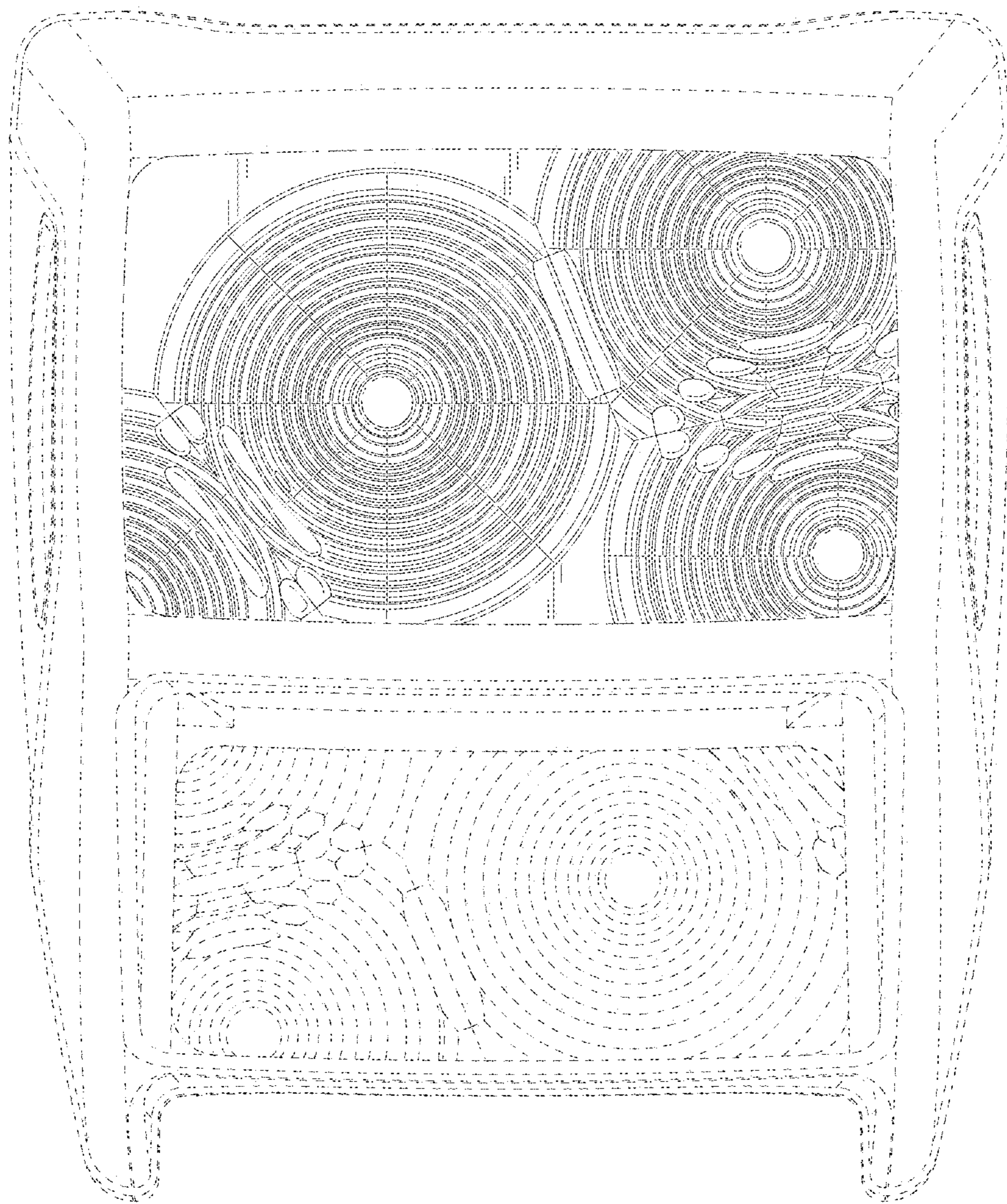


FIG. 6

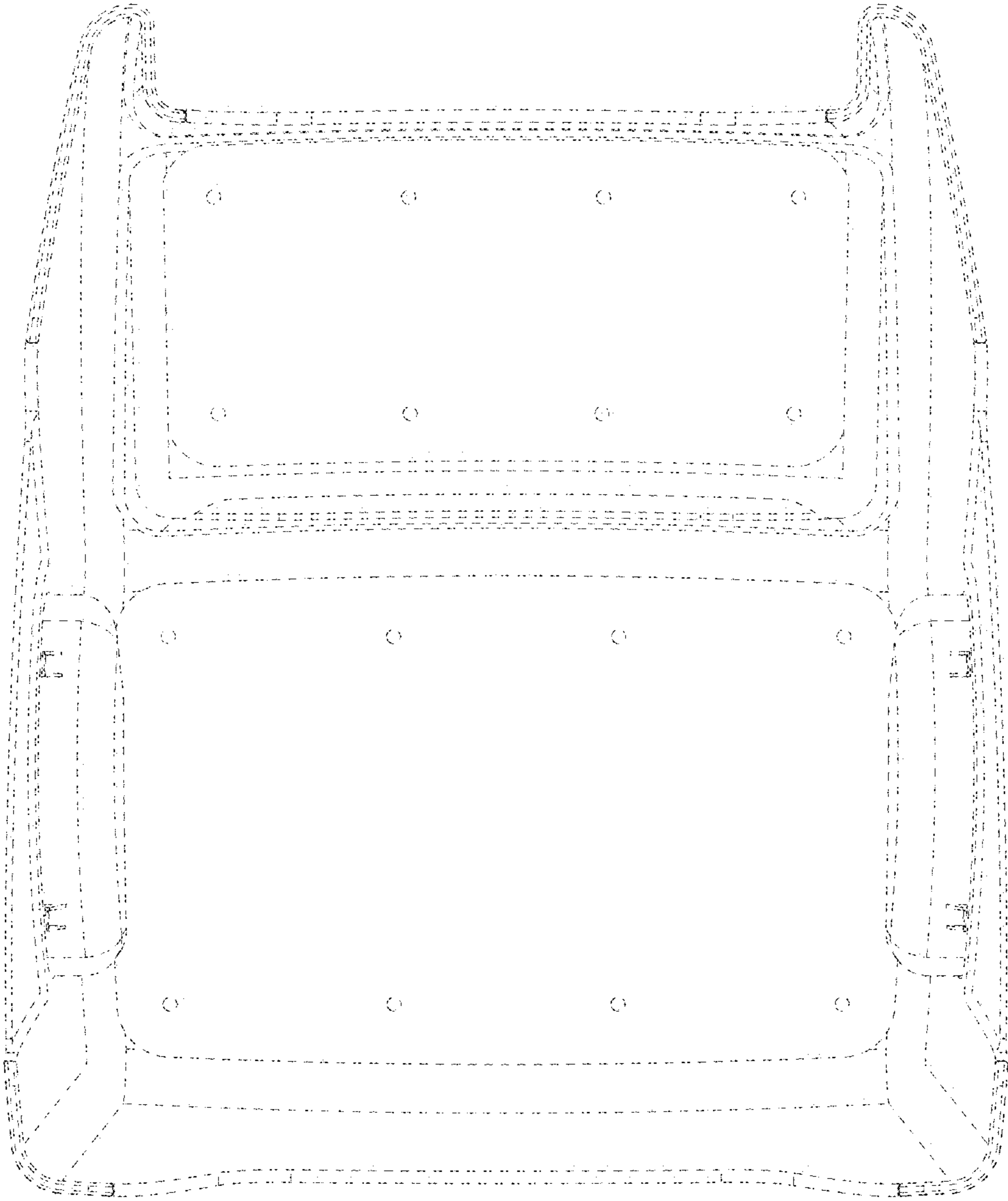


FIG. 7