

US00D923990S

(12) **United States Design Patent**
Kumazawa

(10) **Patent No.:** **US D923,990 S**
(45) **Date of Patent:** **** Jul. 6, 2021**

- (54) **SEAT UNIT**
- (71) Applicant: **AICHI CO., LTD.**, Nagoya (JP)
- (72) Inventor: **Taku Kumazawa**, Nagoya (JP)
- (73) Assignee: **AICHI CO., LTD.**, Nagoya (JP)
- (**) Term: **15 Years**
- (21) Appl. No.: **29/702,828**
- (22) Filed: **Aug. 22, 2019**

D498,077 S	11/2004	Tonizzo	
D513,670 S	1/2006	Yamagata	
D540,080 S	4/2007	Su	
D648,554 S *	11/2011	Smith	D6/368
D655,933 S *	3/2012	Kumazawa	D6/373
D656,335 S *	3/2012	Kumazawa	A47C 1/121 D6/373
D660,612 S *	5/2012	Smith	D6/374

(Continued)

OTHER PUBLICATIONS

Notice of Allowance for U.S. Appl. No. 35/505,814, dated Sep. 16, 2019, 8 pages.

(Continued)

Related U.S. Application Data

- (62) Division of application No. 35/505,814, filed on Mar. 29, 2018 (U.S. filing date under 35 U.S.C. 384), and having an international filing date of Mar. 29, 2018, now Pat. No. Des. 873,595.
- (51) **LOC (13) Cl.** **06-01**
- (52) **U.S. Cl.**
USPC **D6/716**
- (58) **Field of Classification Search**
USPC D6/334, 335, 362, 364, 365, 370, 702,
D6/716, 716.1, 714.2, 716.4
CPC .. A47C 1/00; A47C 1/121; A47C 3/00; A47C
4/00; A47C 5/00; A47C 7/00; A47C 7/02;
A47C 7/029; A47C 7/24; A47C 7/36;
A47C 7/40; A47C 7/56; A47C 9/00
See application file for complete search history.

Primary Examiner — Mary Ann Calabrese
(74) *Attorney, Agent, or Firm* — Withrow & Terranova,
P.L.L.C.; Vincent K. Gustafson

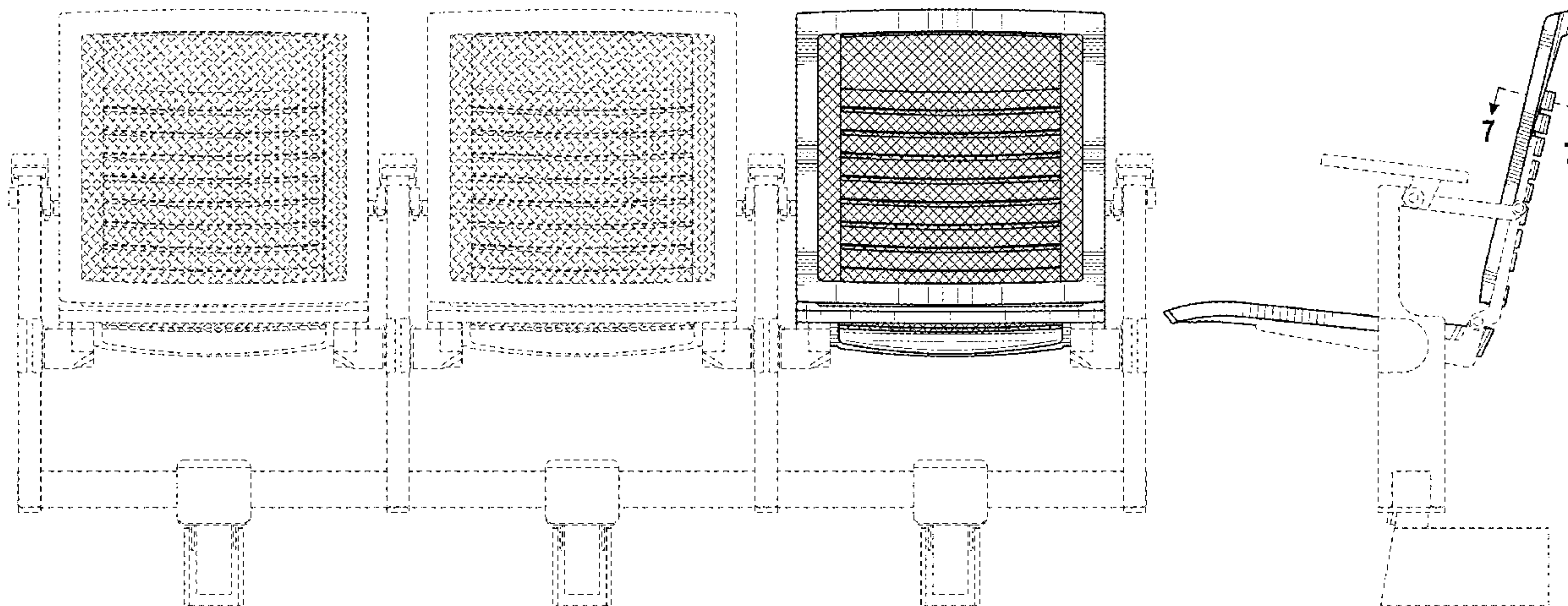
(57) **CLAIM**

The ornamental design for a seat unit, as shown and described.

DESCRIPTION

FIG. 1 is a front elevational view of a seat unit showing my design;
 FIG. 2 is a rear elevational view of the seat unit;
 FIG. 3 is a top plan view of the seat unit;
 FIG. 4 is a bottom plan view of the seat unit;
 FIG. 5 is a left side elevational view of the seat unit;
 FIG. 6 is a right side elevational view of the seat unit;
 FIG. 7 is a cross-sectional view of the seat unit taken along line 7-7 in FIG. 6;
 FIG. 8 is a cross-sectional view of the seat unit taken along line 8-8 in FIG. 3; and,
 FIG. 9 is an enlarged portion corresponding to window 9 in FIG. 8.
 Throughout the Figures, portions represented by broken lines are not part of the claimed design.

1 Claim, 8 Drawing Sheets



(56)

References Cited

U.S. PATENT DOCUMENTS

D669,278 S * 10/2012 Kumazawa D6/373
9,060,614 B1 * 6/2015 Gibilterra A47C 7/54
D754,464 S 4/2016 Saotome
D754,998 S * 5/2016 Saotome A47C 7/54
D6/716.4
D762,074 S 7/2016 Gibilterra
D873,595 S * 1/2020 Kumazawa D6/716.4
D896,539 S * 9/2020 Kumazawa D6/364
2013/0320731 A1 12/2013 Liu et al.

OTHER PUBLICATIONS

Restriction Requirement for U.S. Appl. No. 35/505,814, dated Jun.
27, 2019, 7 pages.

* cited by examiner

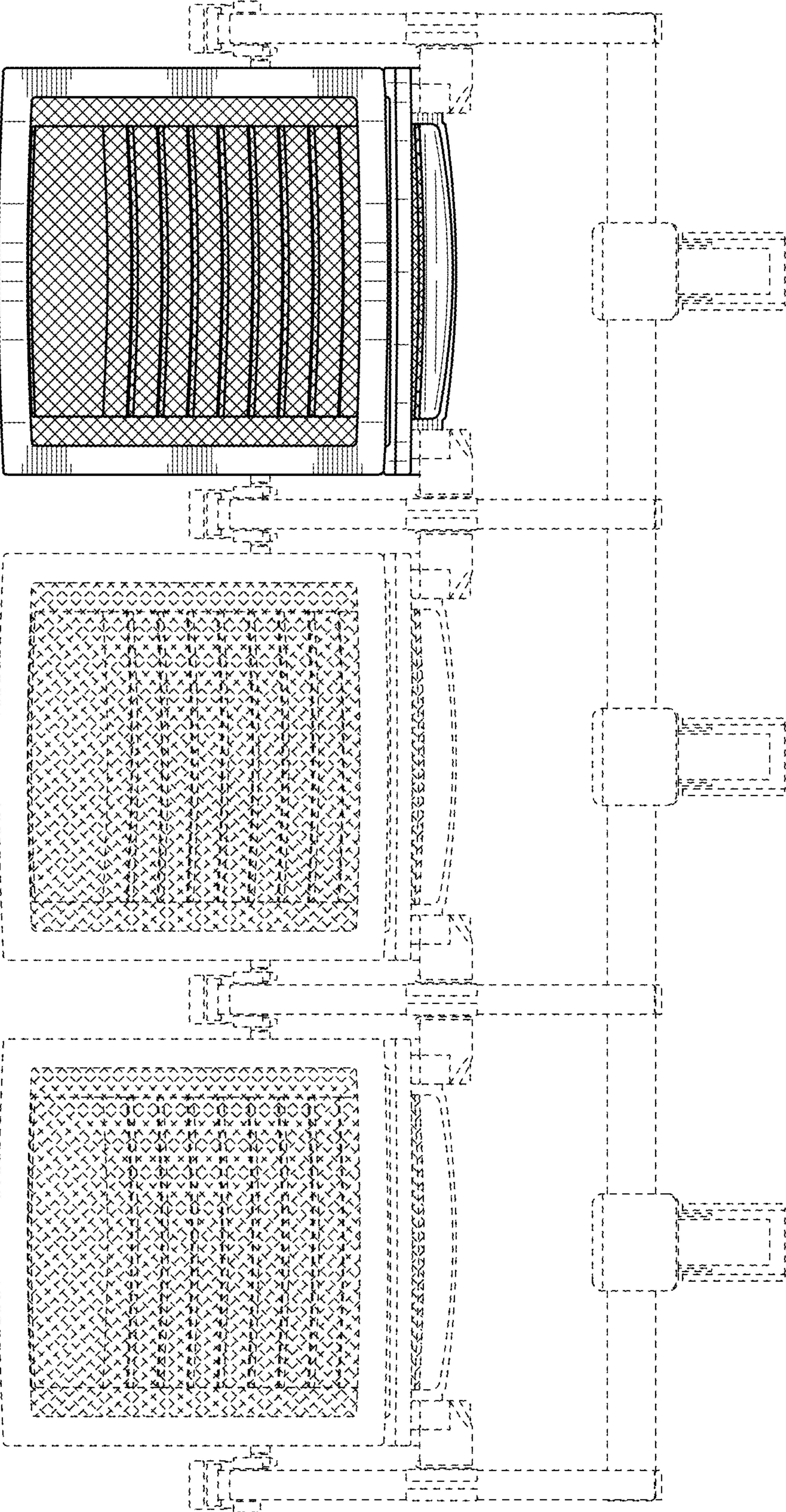


FIG. 1

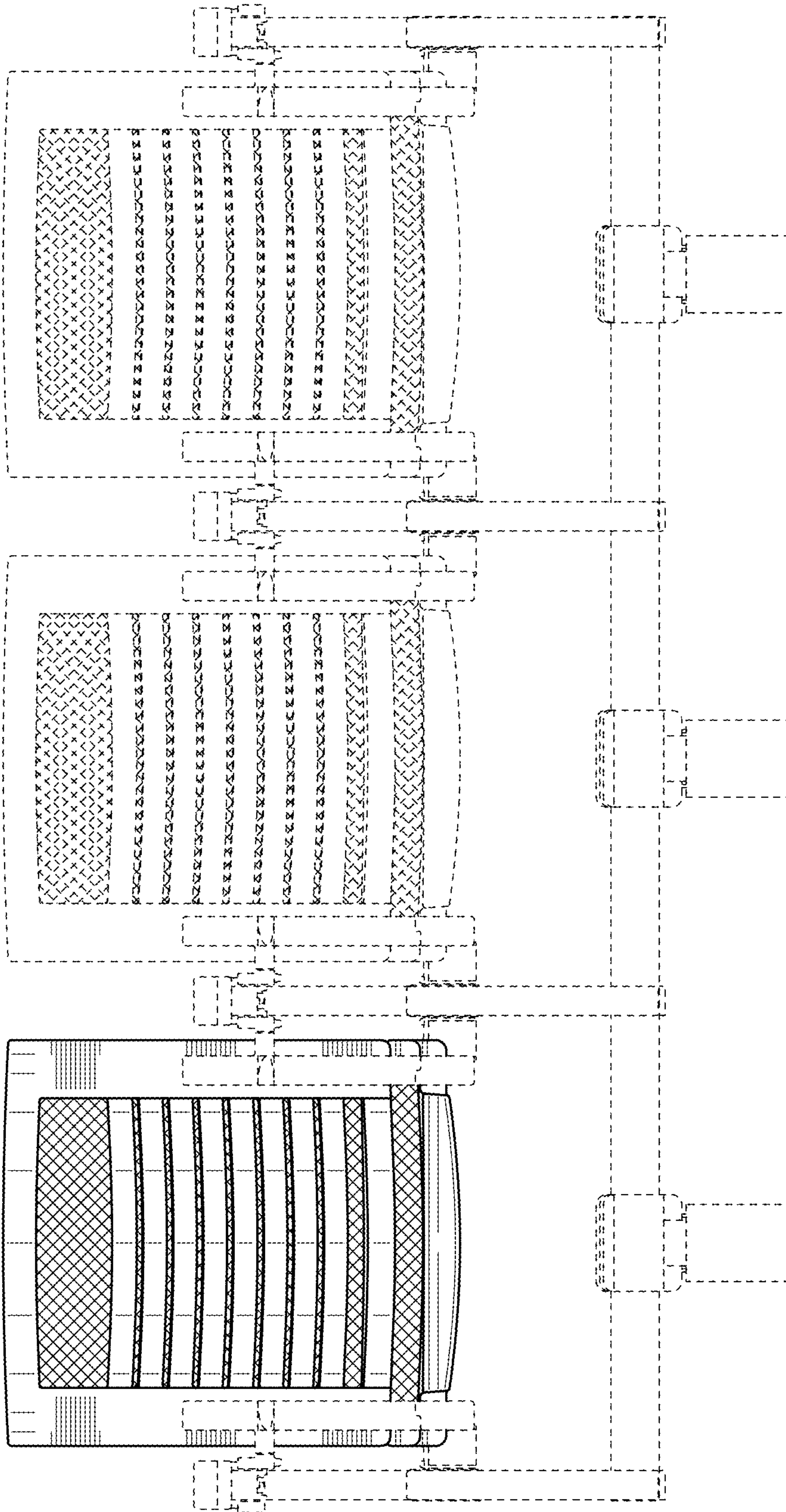


FIG. 2

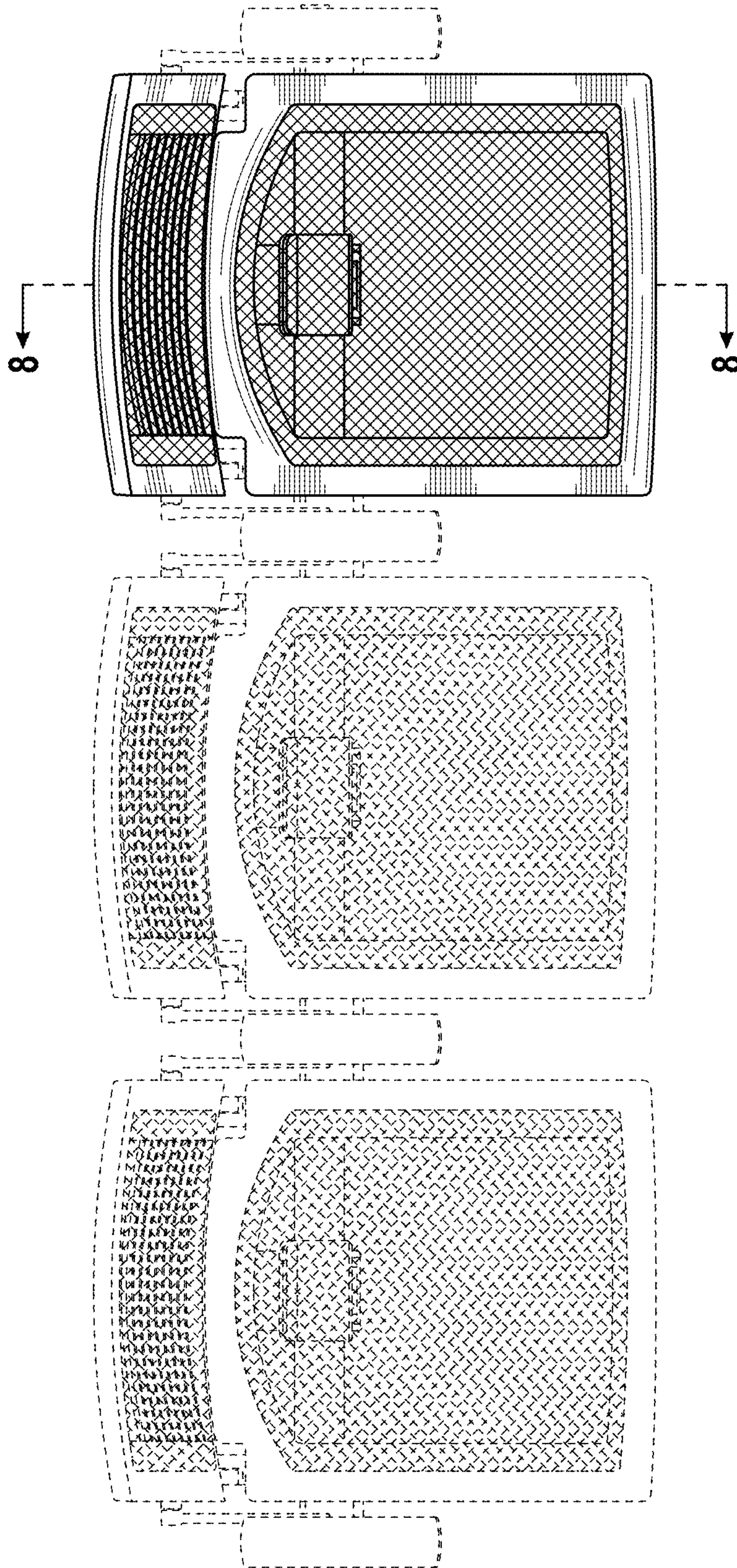


FIG. 3

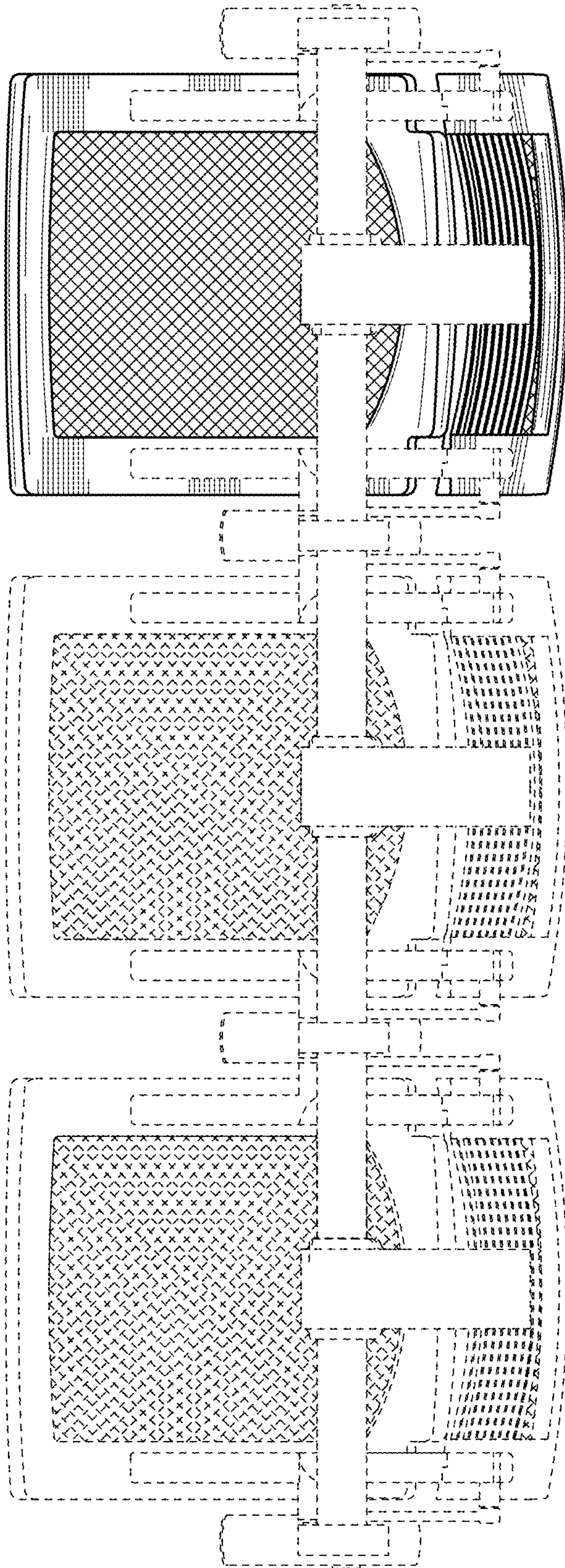


FIG. 4

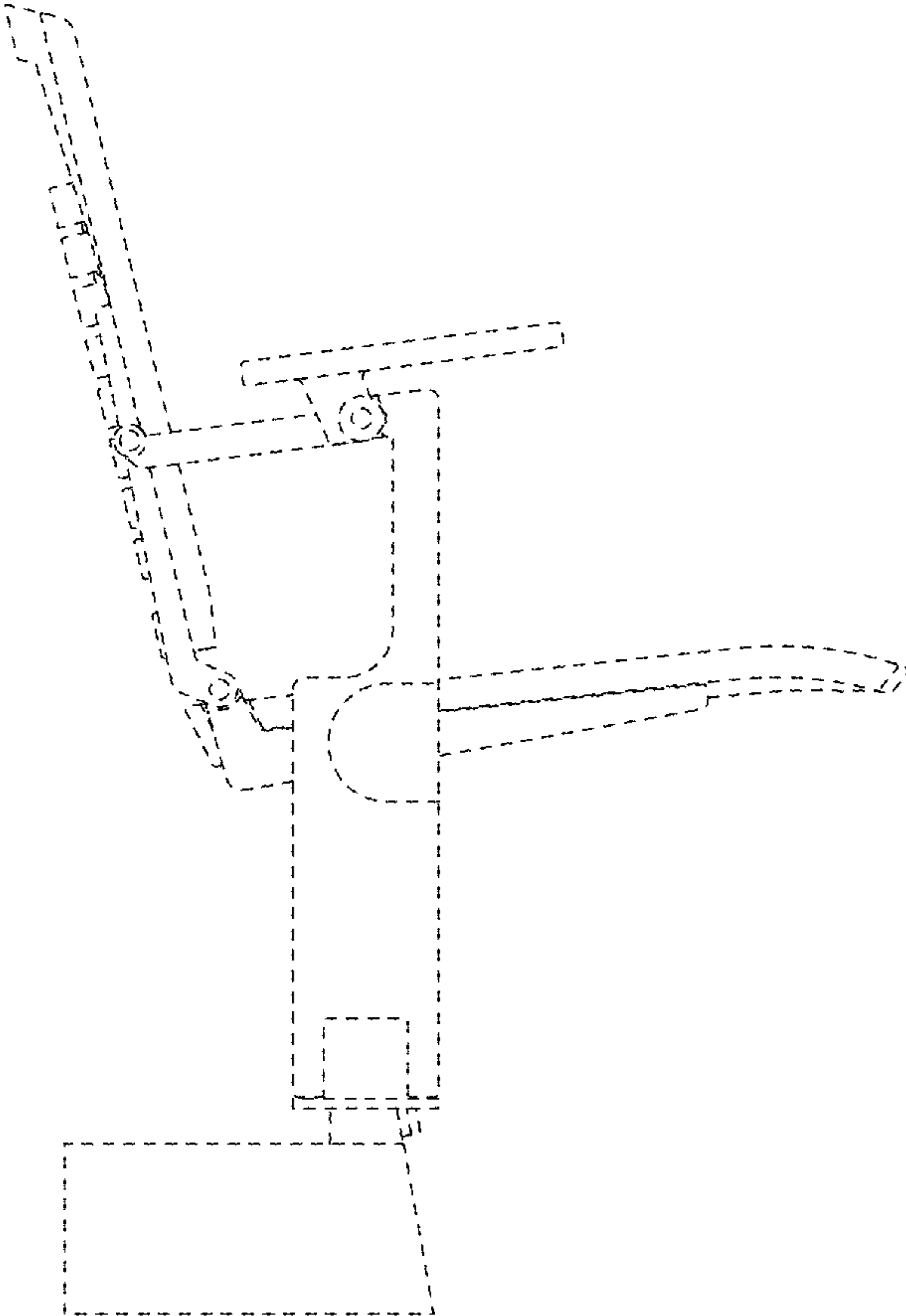


FIG. 5

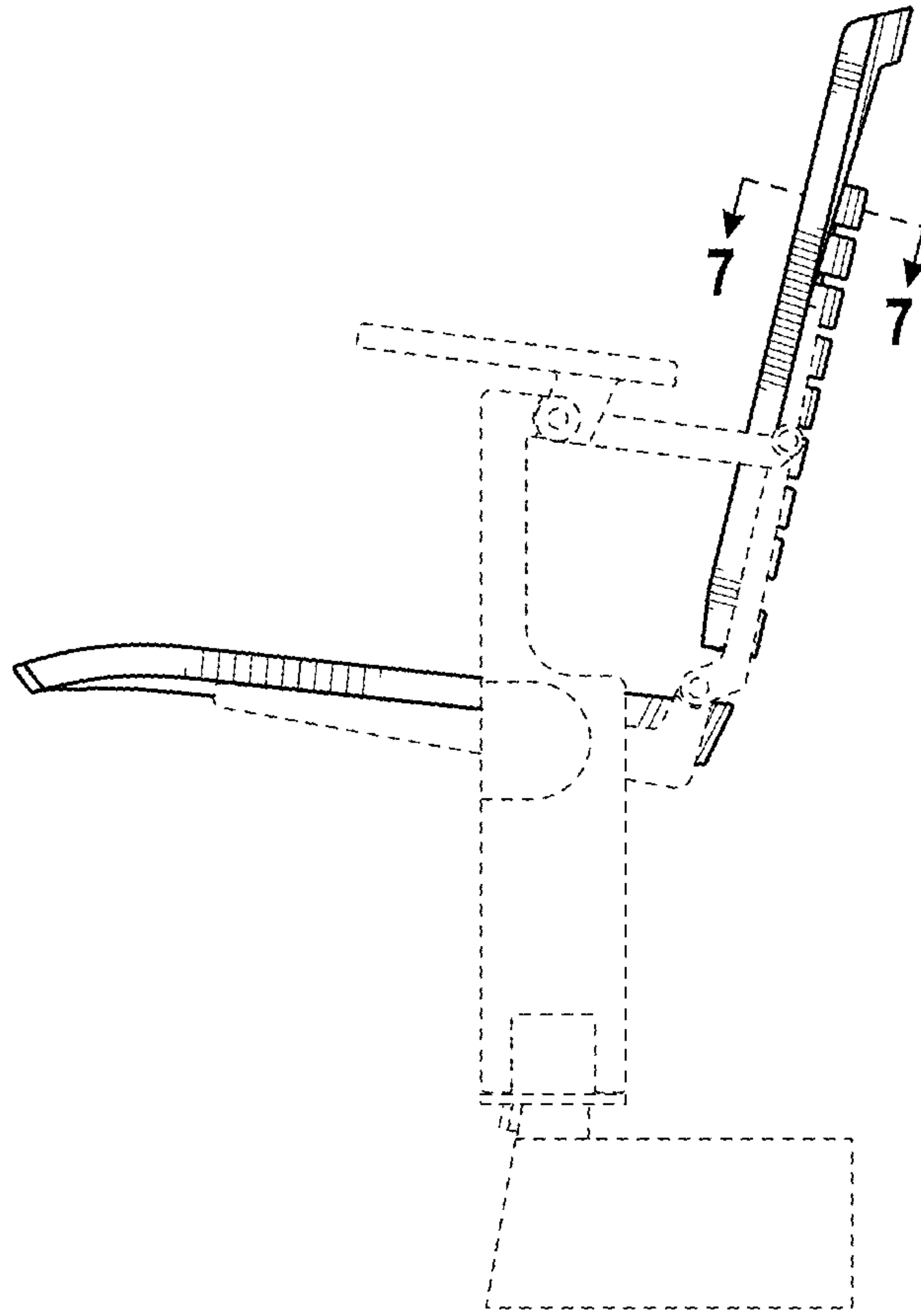


FIG. 6

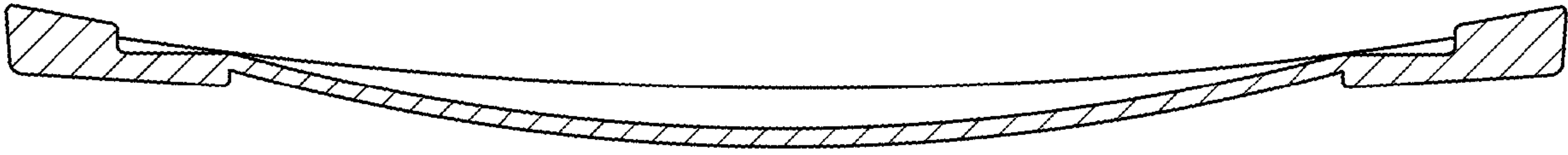


FIG. 7

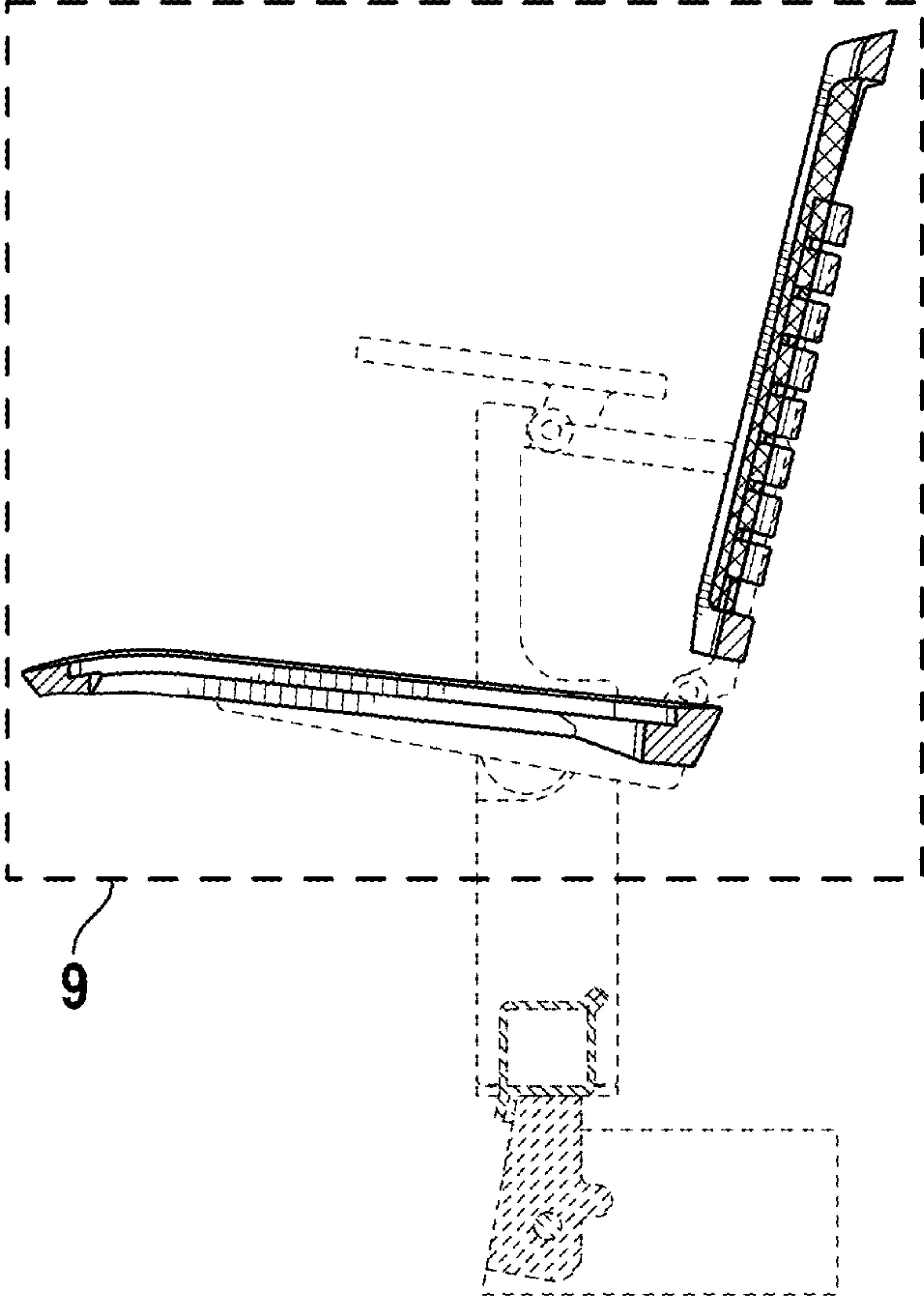


FIG. 8

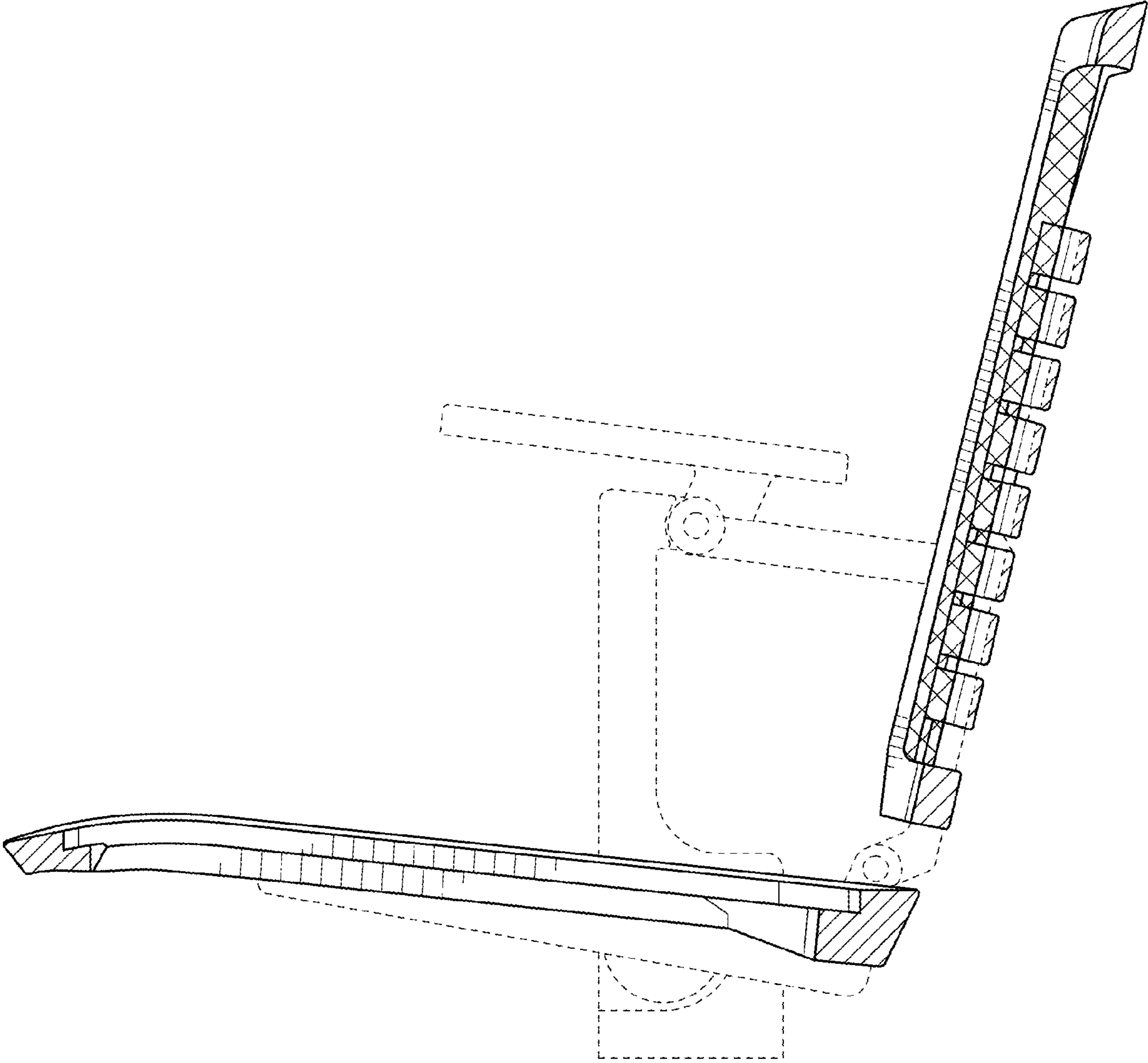


FIG. 9