



US00D923989S

(12) **United States Design Patent** (10) **Patent No.:** **US D923,989 S**
Chang (45) **Date of Patent:** **** Jul. 6, 2021**

(54) **DESK**

(71) Applicant: **EP Family Corp.**, Walnut, CA (US)

(72) Inventor: **Jeff Yongguang Chang**, Walnut, CA (US)

(**) Term: **15 Years**

(21) Appl. No.: **29/698,858**

(22) Filed: **Jul. 19, 2019**

(51) **LOC (13) Cl.** **06-06**

(52) **U.S. Cl.**

USPC **D6/707**

(58) **Field of Classification Search**

USPC ... D6/641, 642, 655, 656, 656.17, 698, 702, D6/707, 707.15, 707.19

CPC A47B 9/16; A47B 21/02; A47B 21/0314; A47B 2021/0321; A47B 13/00; A47B 2023/049; A47B 2097/006; A47B 2200/0046

See application file for complete search history.

(56) **References Cited**

U.S. PATENT DOCUMENTS

4,515,086	A *	5/1985	Kwiecinski	A47B 21/0314
					108/104
D365,465	S *	12/1995	Kniefel	D6/641
5,490,466	A *	2/1996	Diffrient	A47B 21/0314
					108/96
D771,981	S *	11/2016	Flaherty	D6/655
D771,982	S *	11/2016	Flaherty	D6/655
9,504,316	B1 *	11/2016	Streicher	A47B 21/02
D781,617	S *	3/2017	Flaherty	D6/655
D781,618	S *	3/2017	Flaherty	D6/655
D784,050	S *	4/2017	Flaherty	D6/655
D785,386	S *	5/2017	Flaherty	D6/707.15
D814,214	S *	4/2018	Flaherty	D6/648
9,961,991	B1 *	5/2018	Chen	A47B 9/16
D830,739	S *	10/2018	Min	D6/655
D832,623	S *	11/2018	Flaherty	D6/655

(Continued)

OTHER PUBLICATIONS

“VIVO Height Adjustable Standing Desk.” Found online Dec. 17, 2020 at www.amazon.ca. Product first available Oct. 18, 2016. Retrived from URL: <https://www.amazon.ca/VIVO-Adjustable-Converter-Workstation-DESK-V000B/dp/B01MDKROXW> (Year: 2016).*

(Continued)

Primary Examiner — Michael C Stout

Assistant Examiner — Katelin G Kloberg

(74) *Attorney, Agent, or Firm* — Tommy SF Wang; Wang IP Law Group, P.C.

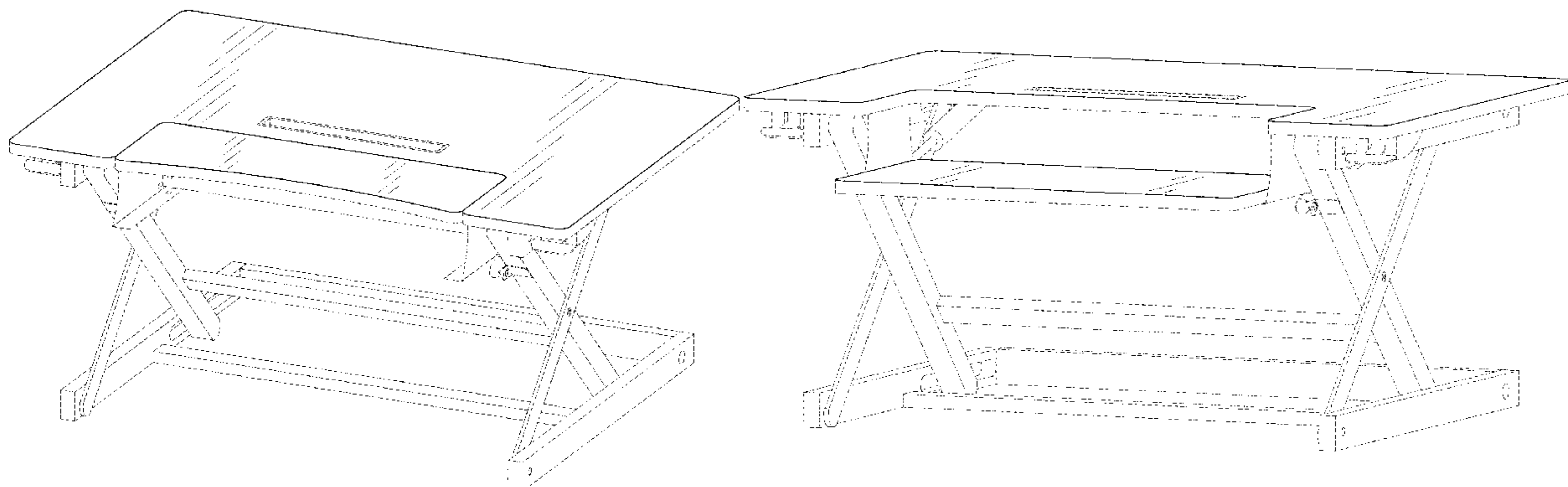
(57) **CLAIM**

The ornamental design for a desk, as shown and described.

DESCRIPTION

FIG. 1 is a perspective view of a desk showing my new design;
FIG. 2 is a front view thereof;
FIG. 3 is a rear view thereof;
FIG. 4 is a left side view thereof;
FIG. 5 is a right side view thereof;
FIG. 6 is a top view thereof;
FIG. 7 is a bottom view thereof;
FIG. 8 is a perspective view of the desk, shown in an alternate condition of use;
FIG. 9 is a front view thereof;
FIG. 10 is a rear view thereof;
FIG. 11 is a left side view thereof;
FIG. 12 is a right side view thereof;
FIG. 13 is a top view thereof; and,
FIG. 14 is a bottom view thereof.
The broken lines in FIGS. 1-14 are for the purpose of illustrating portions of the desk that form no part of the claimed design.

1 Claim, 14 Drawing Sheets



(56)

References Cited

U.S. PATENT DOCUMENTS

D836,952 S * 1/2019 Hu D6/648
 D837,574 S * 1/2019 Hu D6/655
 D841,369 S * 2/2019 Hu D6/655
 D843,137 S * 3/2019 Hu D6/655
 D845,037 S * 4/2019 Min D6/655
 D845,678 S * 4/2019 Laudadio D6/649
 D867,042 S * 11/2019 Hu D6/708
 D870,490 S * 12/2019 Hu D6/655
 D870,491 S * 12/2019 Hu D6/655.2
 D878,813 S * 3/2020 Knapp D6/655
 D885,088 S * 5/2020 Knapp D6/655
 D885,089 S * 5/2020 Knapp D6/655.2
 D901,959 S * 11/2020 Chang D6/709
 2017/0354245 A1 * 12/2017 Martin A47B 21/02
 2017/0360192 A1 * 12/2017 Hu A47B 9/16
 2018/0125227 A1 * 5/2018 Xiang A47B 21/04

2018/0177289 A1 * 6/2018 Chen A47B 21/0314
 2018/0360208 A1 * 12/2018 Liao A47B 13/00
 2019/0110588 A1 * 4/2019 Wong A47B 21/02

OTHER PUBLICATIONS

“Rocelco 40-inch Large Height Adjustable Standing Desk Converter.” Found online Dec. 17, 2020 at www.amazon.ca. Product first available Nov. 3, 2018. Retrieved from URL: <https://tinyurl.com/ya6mzygf> (Year: 2018).*

“Mount-It Standing Desk Converter.” Found online Dec. 17, 2020 at www.amazon.ca. Product first available Jun. 9, 2017. Retrieved from URL: <https://tinyurl.com/y9em7vzj> (Year: 2017).*

“Ergotron—WorkFit-T Standing Desk Converter.” Found online Dec. 17, 2020 at www.amazon.com. Product first available Oct. 21, 2017. Retrieved from URL: <https://tinyurl.com/y7zyl83u> (Year: 2017).*

* cited by examiner

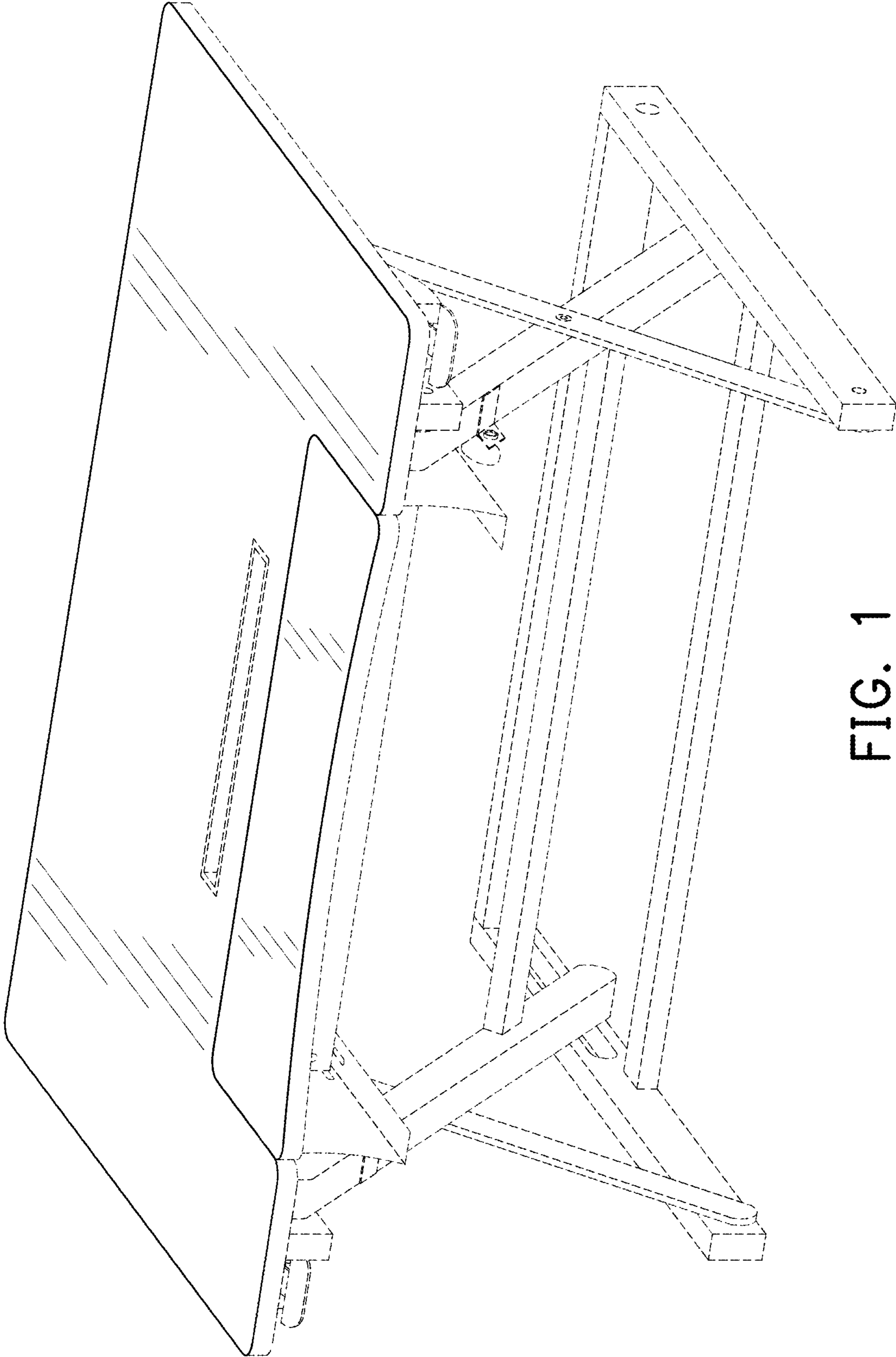


FIG. 1

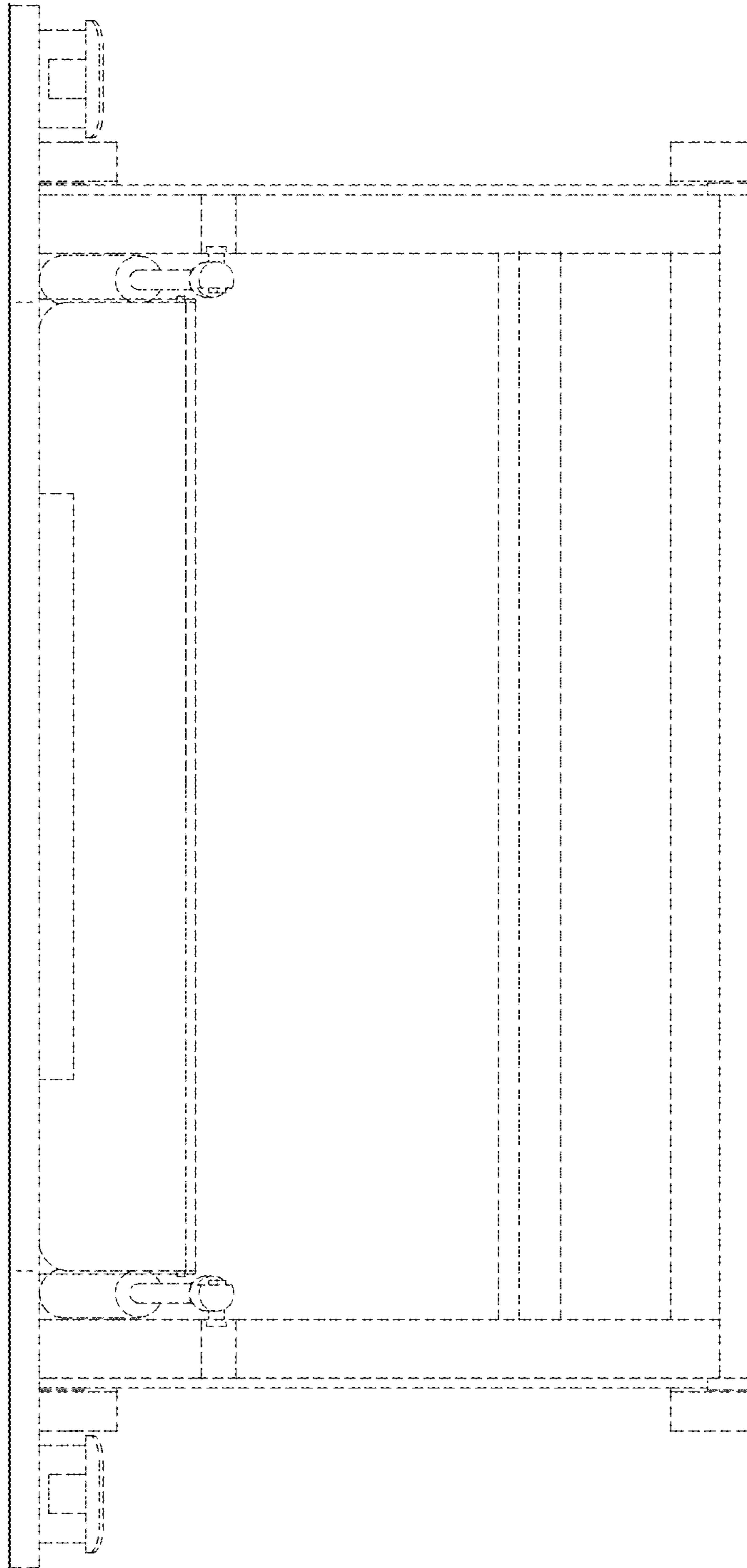


FIG. 2

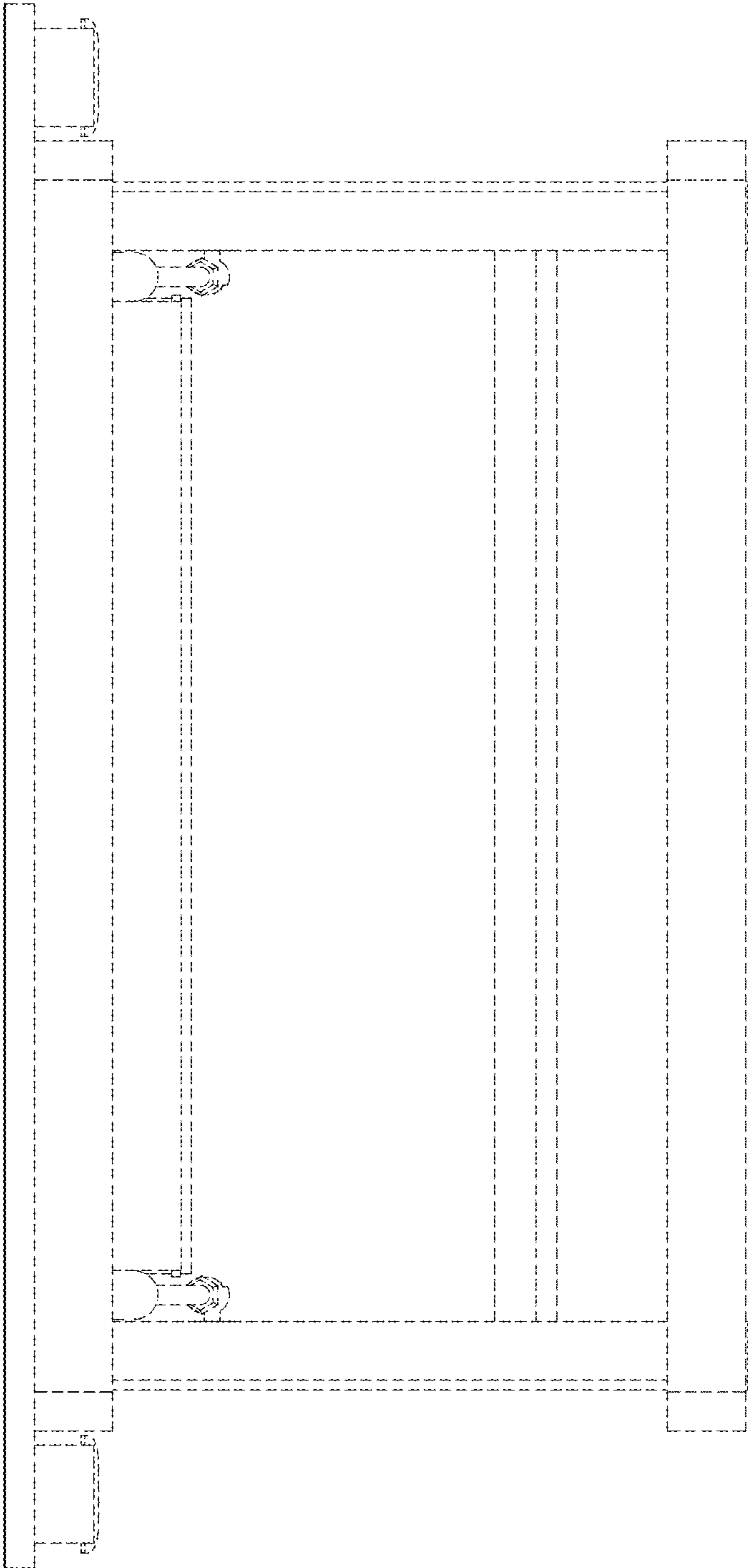


FIG. 3

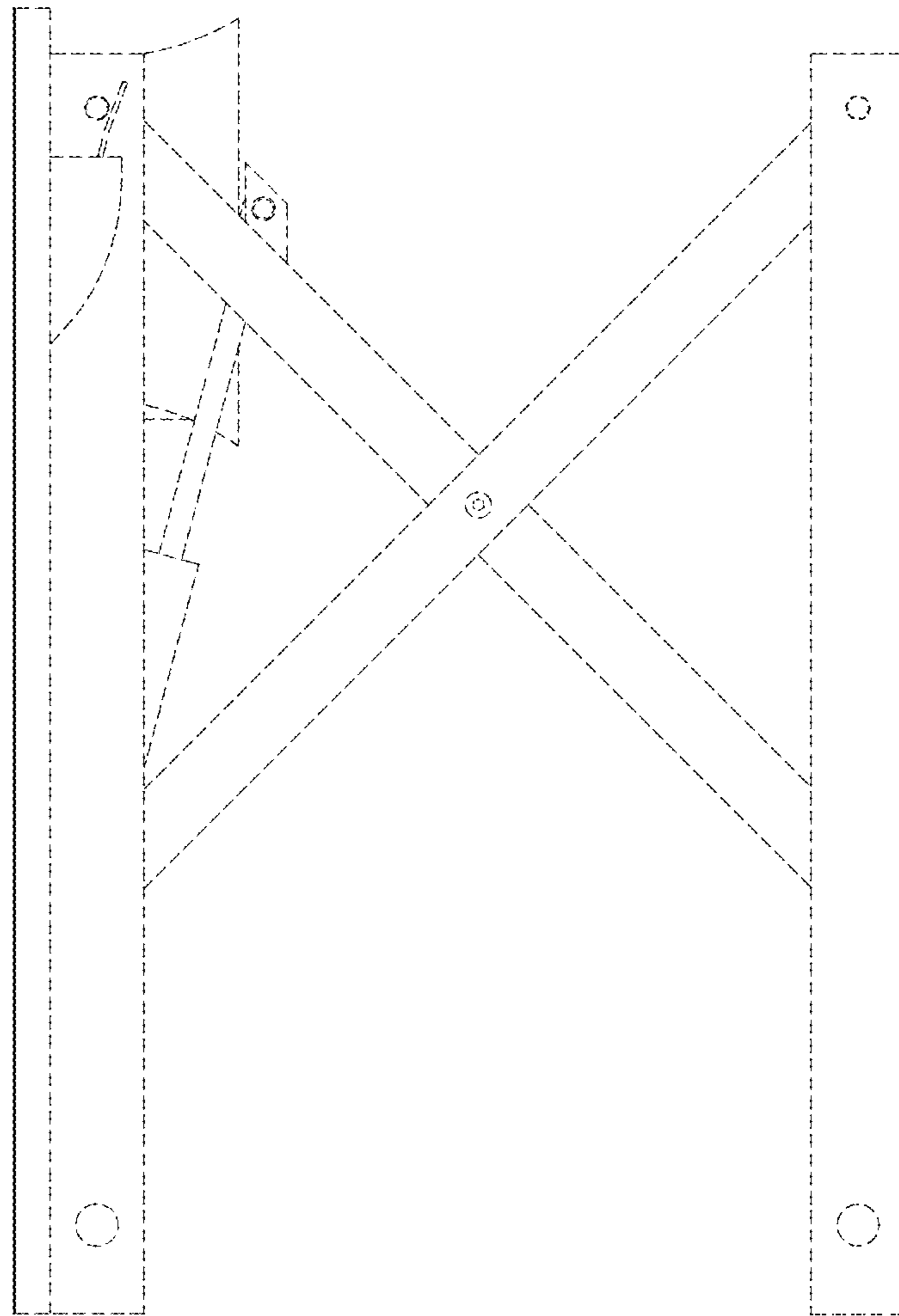


FIG. 4

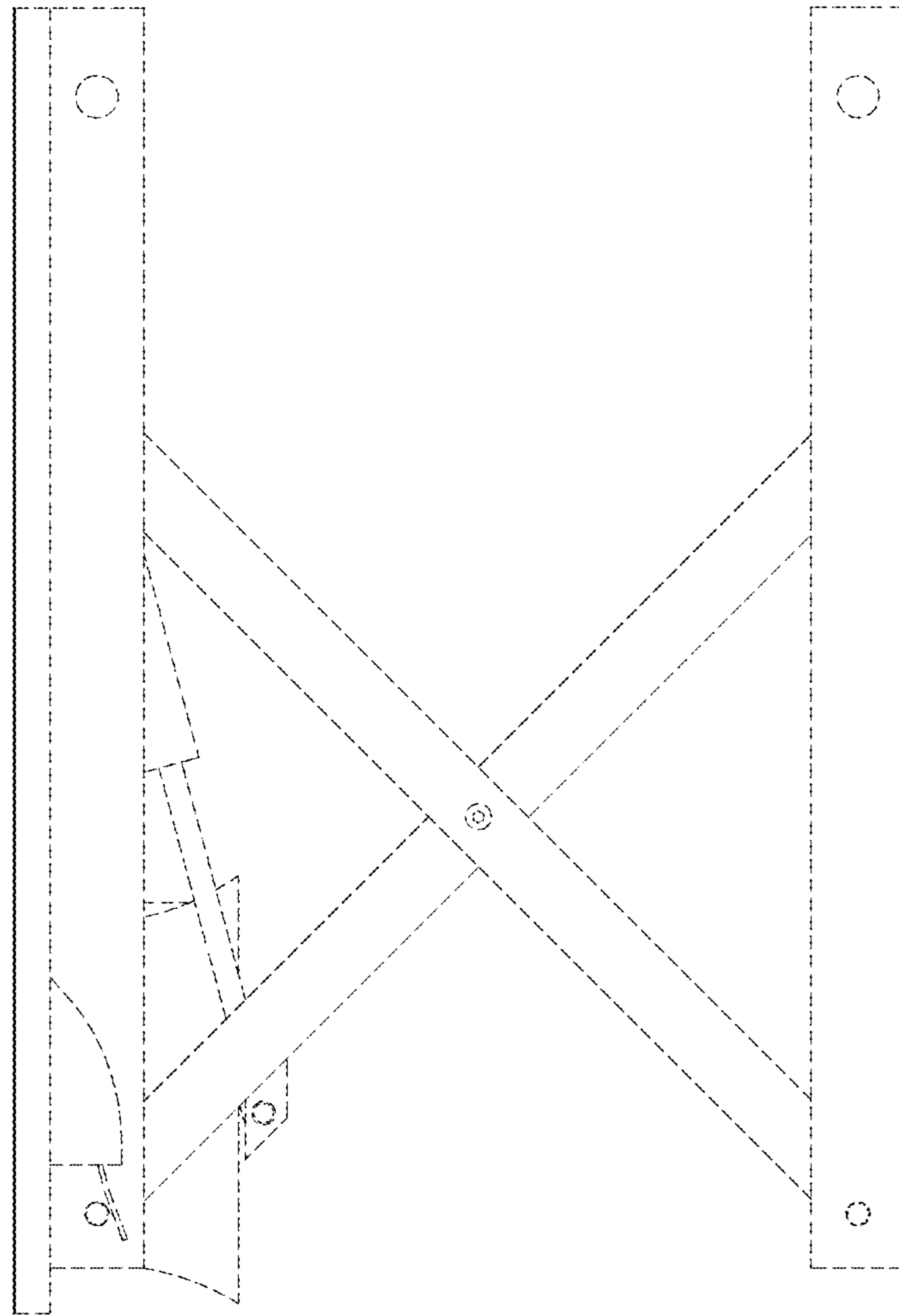


FIG. 5

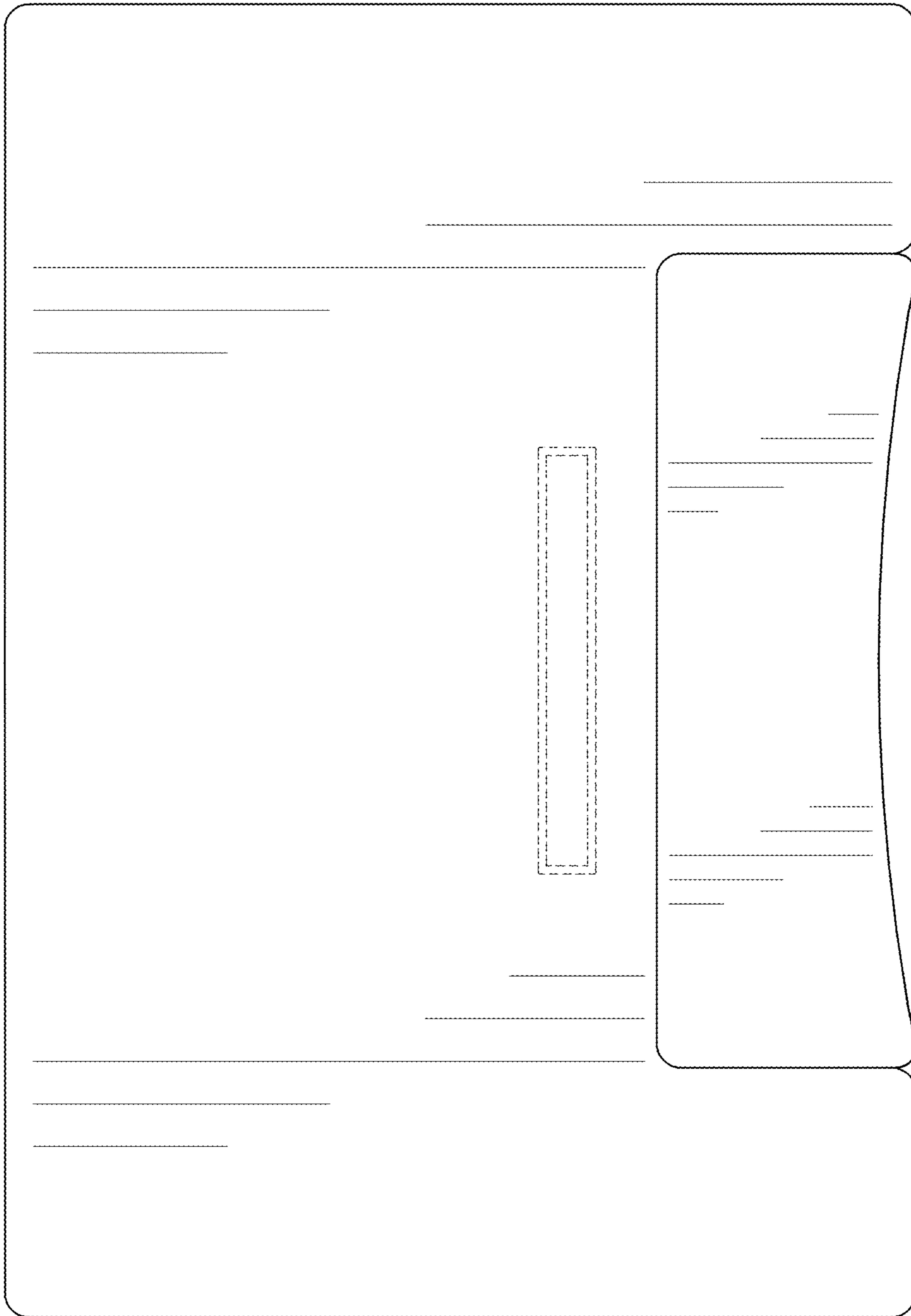


FIG. 6

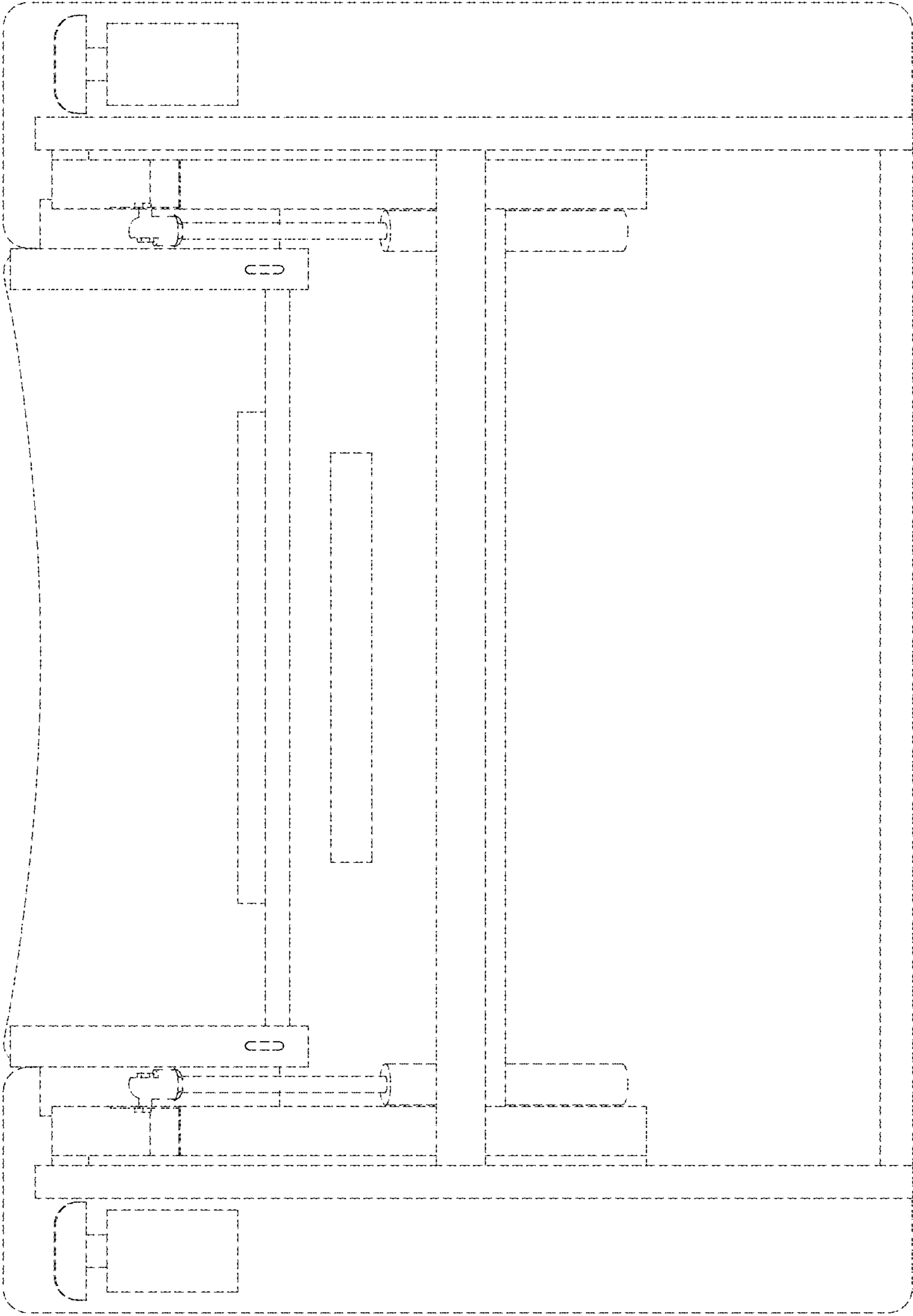


FIG. 7

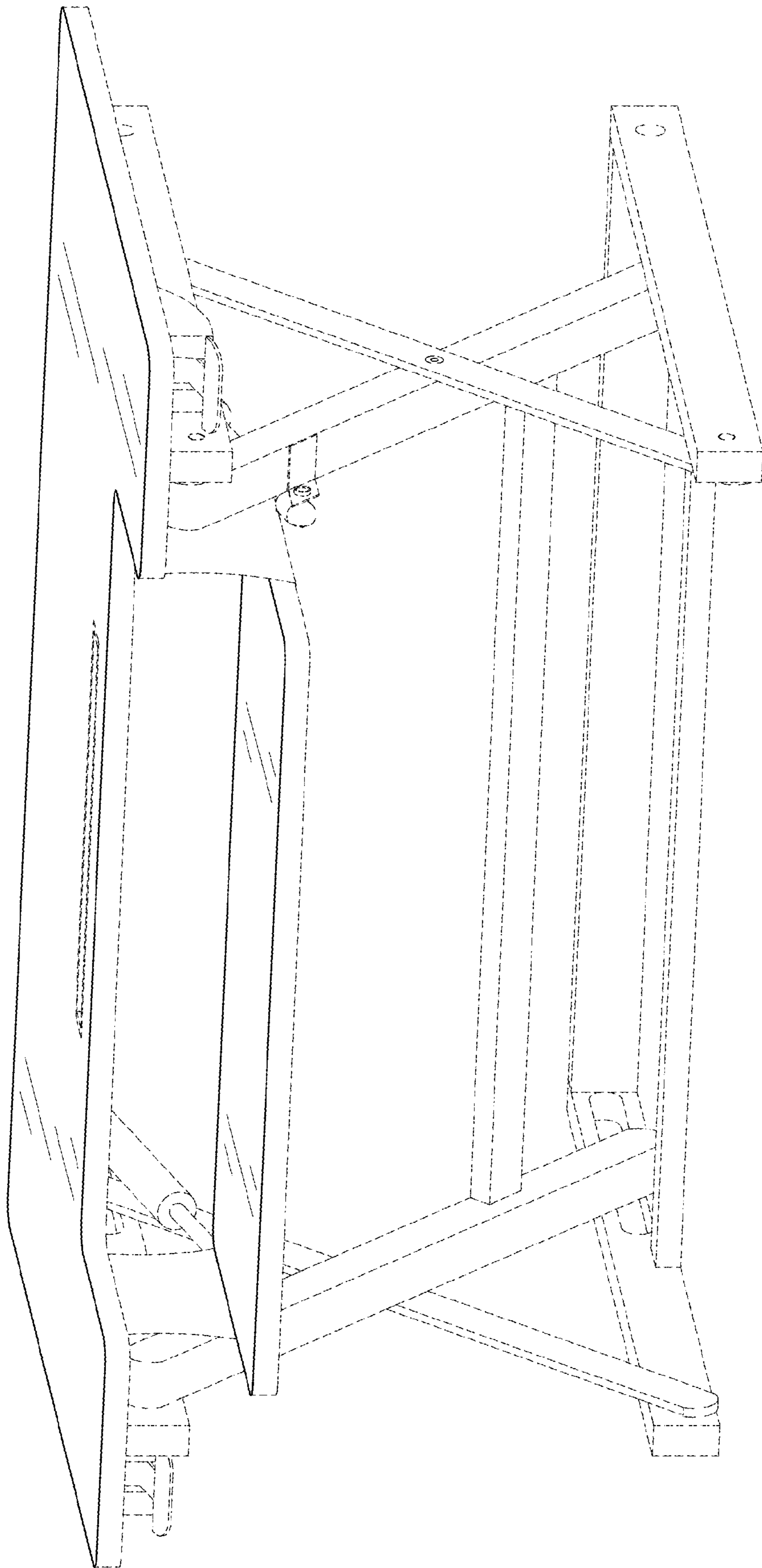


FIG. 8

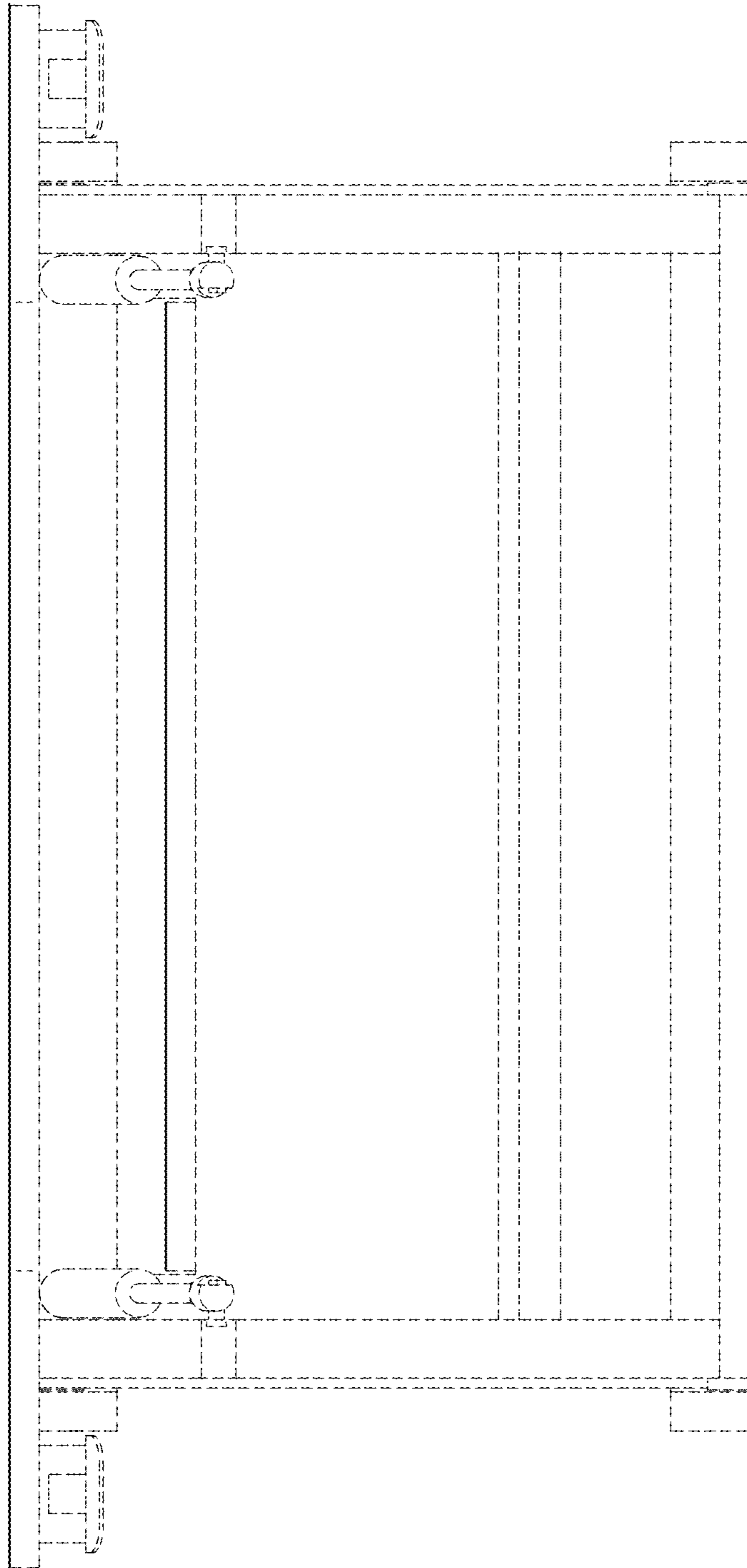


FIG. 9

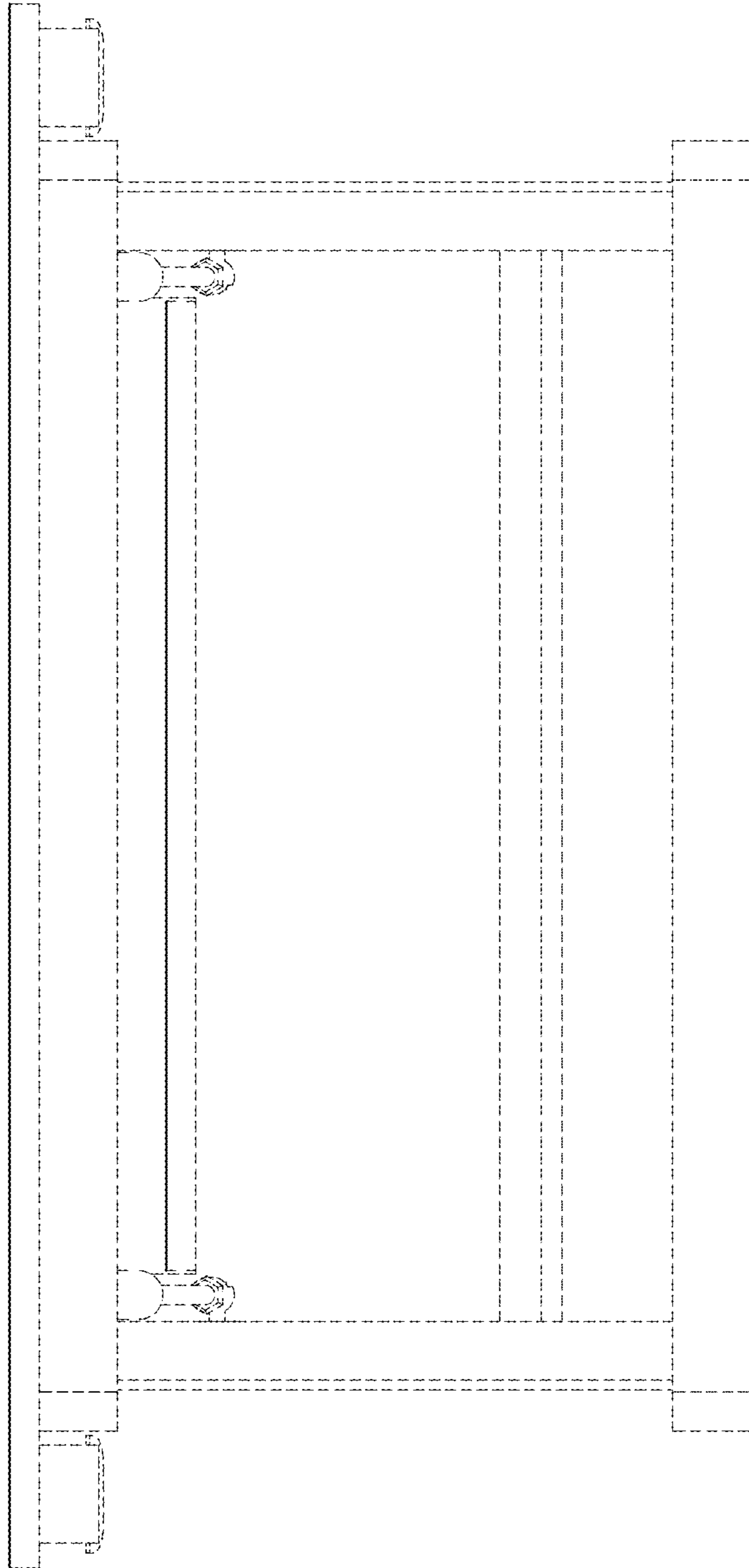


FIG. 10

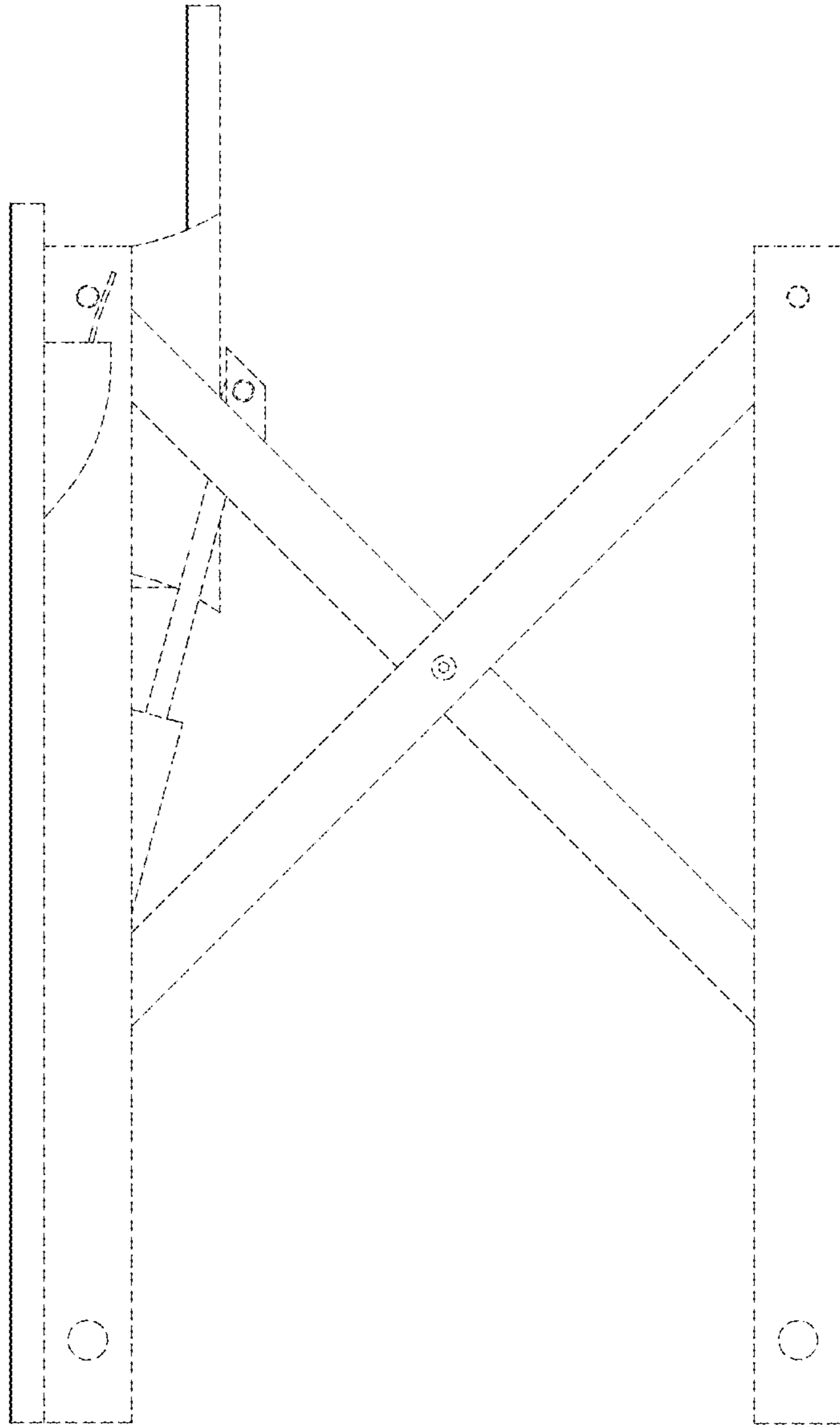


FIG. 11

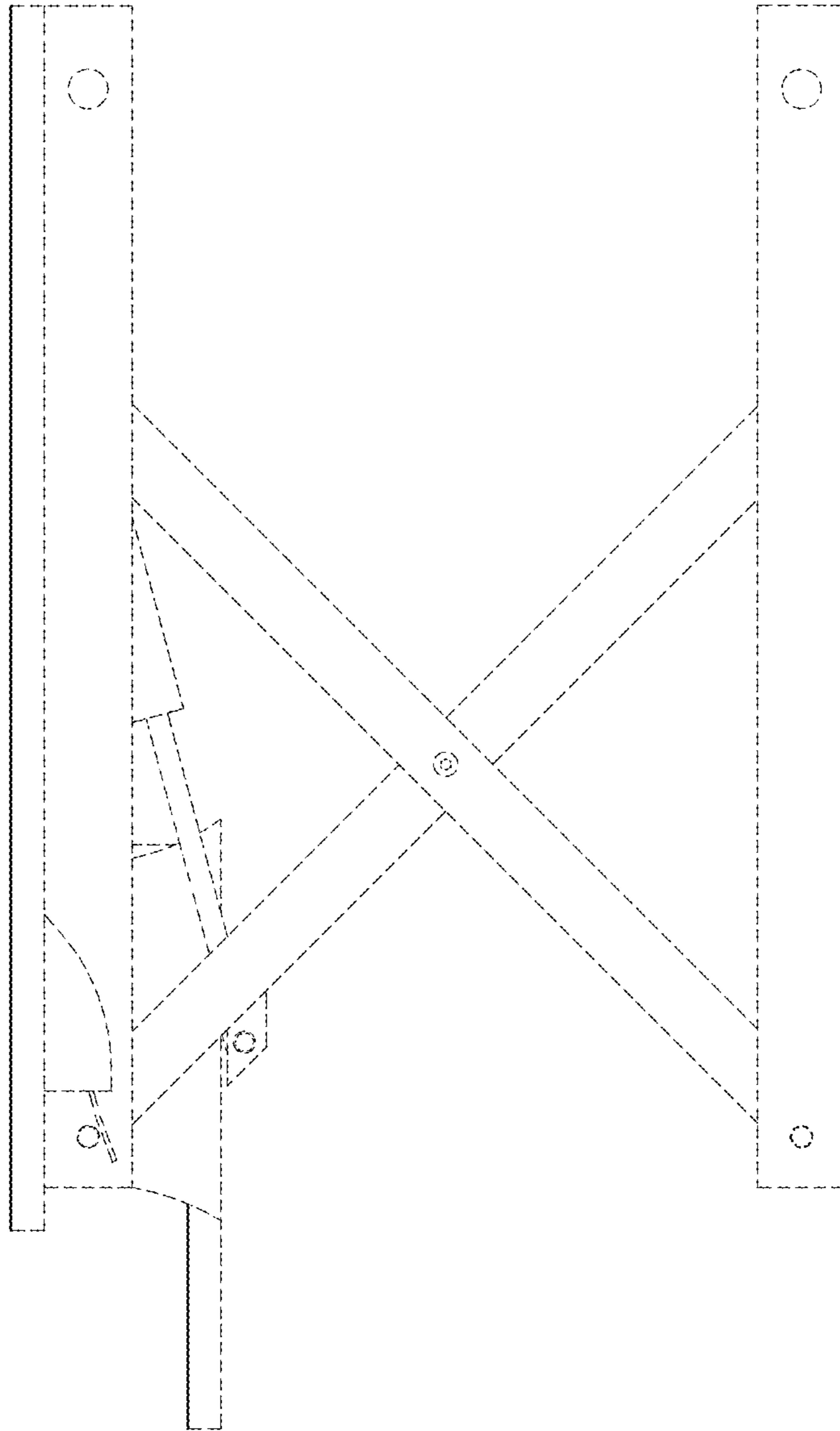


FIG. 12

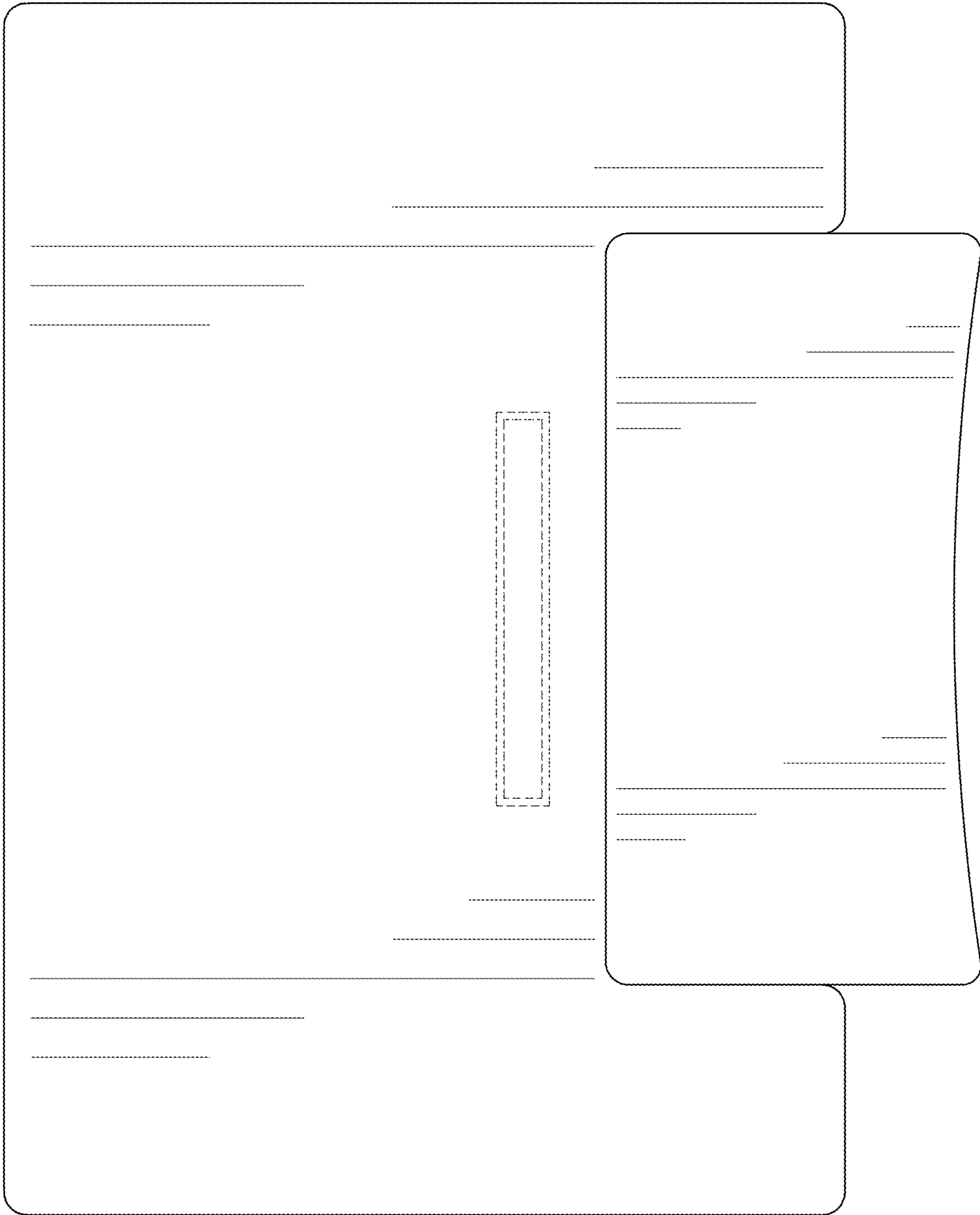


FIG. 13

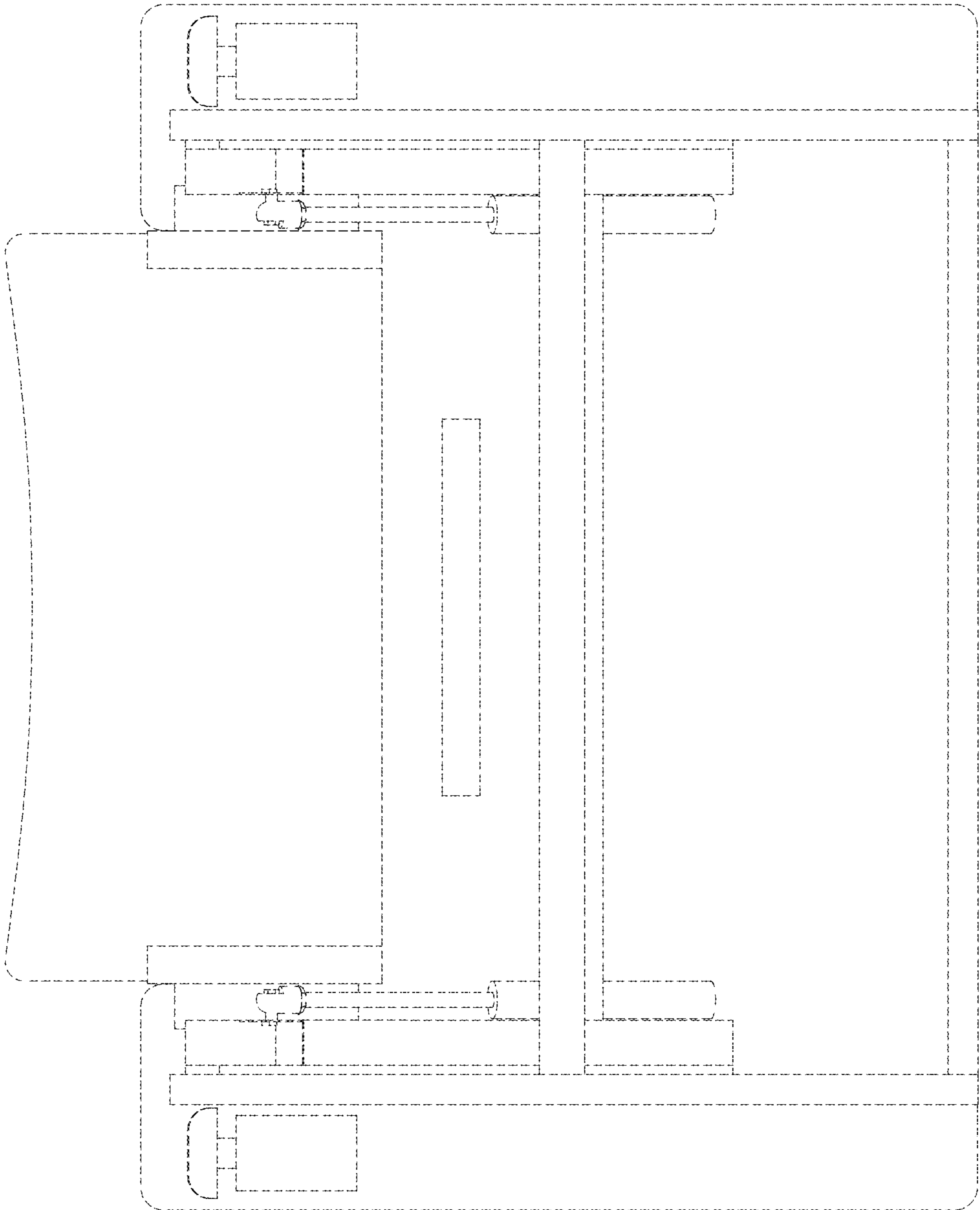


FIG. 14