



US00D923987S

(12) **United States Design Patent** (10) **Patent No.:** **US D923,987 S**
Kasza (45) **Date of Patent:** **** Jul. 6, 2021**

(54) **BOTTLE RACKS**

(71) Applicant: **STACT Wine Displays Inc.**, Vancouver (CA)

(72) Inventor: **Jamie Dennis Kasza**, Vancouver (CA)

(73) Assignee: **STACT WINE DISPLAYS INC.**, Vancouver (CA)

(**) Term: **15 Years**

(21) Appl. No.: **29/637,470**

(22) Filed: **Feb. 19, 2018**

Related U.S. Application Data

(63) Continuation-in-part of application No. 29/625,830, filed on Nov. 13, 2017, now Pat. No. Des. 878,828.

(51) **LOC (13) Cl.** **07-07**

(52) **U.S. Cl.**
USPC **D6/701**

(58) **Field of Classification Search**
USPC D6/514, 682.6, 676.5, 677.5, 678.4, D6/680.3, 682.2, 682.5; D7/600.1-600.4,
(Continued)

(56) **References Cited**

U.S. PATENT DOCUMENTS

49,633 A 8/1865 King
278,200 A 5/1883 Tait

(Continued)

FOREIGN PATENT DOCUMENTS

CA 1012095 6/1977
CA 2456638 8/2004

(Continued)

OTHER PUBLICATIONS

Homedepot.com, Product Description, Anchor Hocking Bamboo Wine Rack with Espresso Accents, <https://www.homedepot.com/p/>

Anchor-Hocking-Bamboo-Wine-Rack-with-Espresso-Accents-98617AH/205201216 (accessed Jun. 30, 2018).

(Continued)

Primary Examiner — Wan Laymon

Assistant Examiner — Mark Booker

(74) *Attorney, Agent, or Firm* — Troutman Pepper Hamilton Sanders LLP (Rochester)

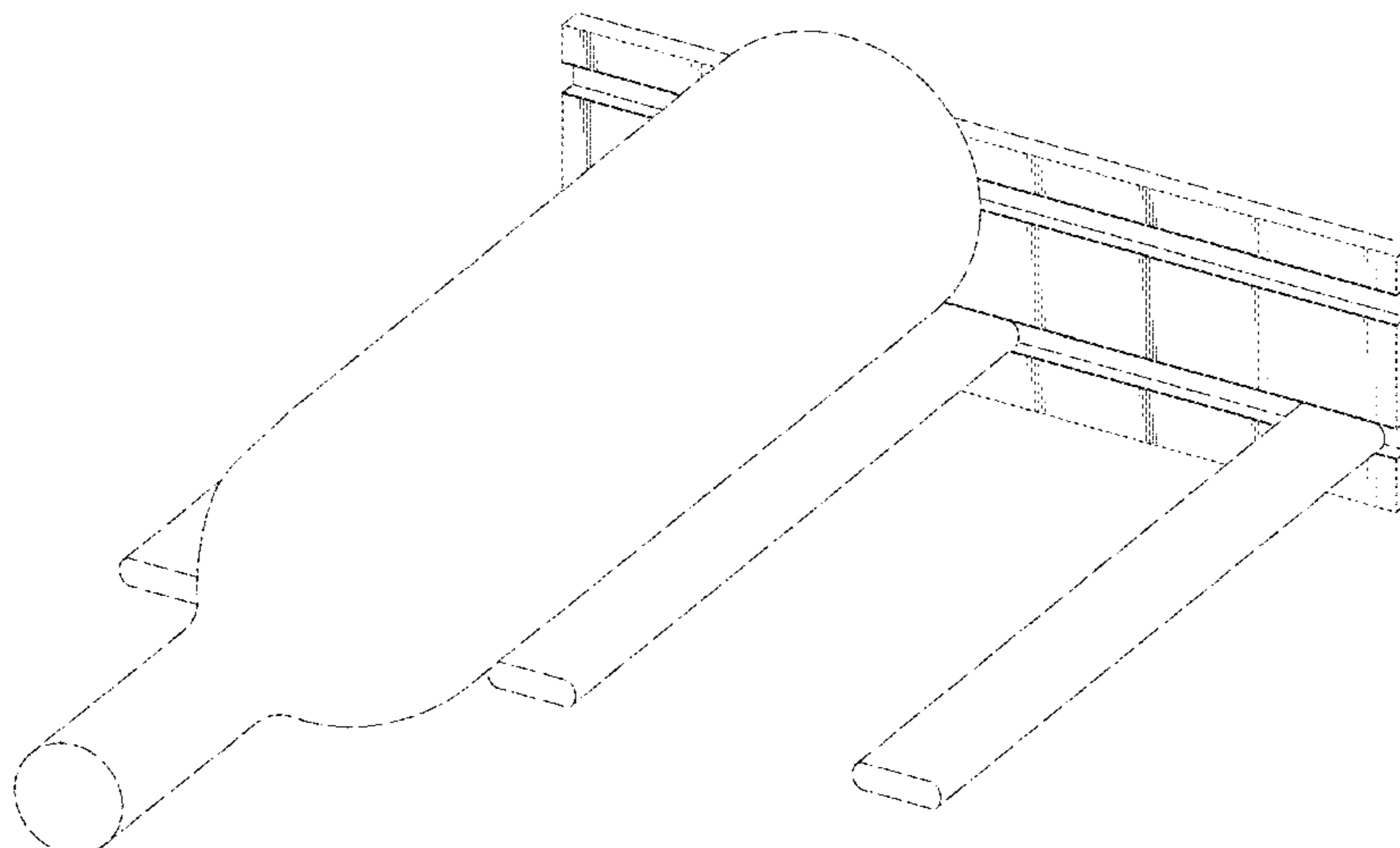
(57) **CLAIM**

The ornamental design for bottle racks, as shown and described.

DESCRIPTION

FIG. 1 is a perspective view of a panel of a bottle rack, according to a first embodiment;
FIG. 2 is a front elevation view of the panel of FIG. 1;
FIG. 3 is a rear elevation view of the panel of FIG. 1;
FIG. 4 is a top plan view of the panel of FIG. 1;
FIG. 5 is a bottom plan view of the panel of FIG. 1;
FIG. 6 is a right side elevation view of the panel of FIG. 1;
FIG. 7 is a left side elevation view of the panel of FIG. 1;
FIG. 8 is a perspective view of a panel of a bottle rack, according to a second embodiment;
FIG. 9 is a front elevation view of the panel of FIG. 8;
FIG. 10 is a rear elevation view of the panel of FIG. 8;
FIG. 11 is a top plan view of the panel of FIG. 8;
FIG. 12 is a bottom plan view of the panel of FIG. 8;
FIG. 13 is a right side elevation view of the panel of FIG. 8;
and,
FIG. 14 is a left side elevation view of the panel of FIG. 8.
The long dashed lines in FIGS. 1-14 represent portions of the bottle racks, or represent one or more bottles, and form no part of the claimed design. The short dashed lines in FIGS. 1, 2, 4-9, and 11-14 are boundary lines and form no part of the claimed design. In particular, the short dashed lines in FIGS. 1, 2, 4-9, and 11-14 show the boundary of the claimed design at the perimeter of the front surface panel of the bottle racks; the claimed design extends to the boundary, but does not include the boundary.

1 Claim, 12 Drawing Sheets



(58) **Field of Classification Search**

USPC D7/619.1-625, 701-708; 211/189, 193,
 211/168, 171, 170, 94.01, 85.31, 74-75,
 211/85.5, 71.01, 125; 248/213.2, 220.41,
 248/311.2, 312.1
 CPC A47B 73/00; A47B 45/00; A47B 73/002;
 A47B 73/004; A47B 73/006; A47B
 57/42; A47B 57/52; A47B 81/007; A47F
 5/0846; A47F 5/08; A47F 7/00; A47F
 5/0838; A47F 5/0823; A47F 5/02; A47F
 5/0815; A47F 7/28; A47F 7/10; A47F
 57/04; D06F 57/04; B01L 9/06; A47J
 47/16; A01F 25/12

See application file for complete search history.

(56) **References Cited**

U.S. PATENT DOCUMENTS

583,727 A 6/1897 Braun
 698,272 A 4/1902 Glover
 799,783 A 9/1905 Ette
 1,480,939 A 1/1924 Hand
 1,617,003 A 2/1927 Zeller
 1,735,710 A 11/1929 Abrahamsen et al.
 1,797,296 A 3/1931 Ray
 1,835,726 A 12/1931 Thompson
 2,026,746 A 1/1936 Moore
 2,051,408 A 8/1936 Karst
 2,070,507 A 2/1937 Bishop
 2,100,421 A 11/1937 Wupper
 2,179,089 A 11/1939 Hauf
 2,227,326 A 12/1940 Shaw
 2,317,070 A 4/1943 Le Tourneau
 2,366,676 A 1/1945 Rosenthal
 2,527,796 A 10/1950 Clute
 2,531,020 A 11/1950 Bard
 2,562,327 A 7/1951 Moore
 2,575,965 A 11/1951 Malm
 2,774,477 A 12/1956 Pollitz
 2,815,972 A 12/1957 Langervall
 2,879,900 A 3/1959 Fox
 2,889,050 A 6/1959 Modrey
 D190,704 S 6/1961 Cobbs
 3,181,701 A 5/1965 Manny
 3,186,558 A 6/1965 Horstmann
 3,200,960 A 8/1965 Banse
 3,204,867 A 9/1965 Wahlbom
 3,244,390 A 4/1966 Kerr
 3,252,678 A 5/1966 Myers et al.
 3,255,987 A 6/1966 Gatch
 3,272,468 A 9/1966 Wittrock
 3,279,620 A 10/1966 Nesbitt
 3,336,758 A 8/1967 Williams
 3,377,807 A 4/1968 Vincent
 D211,635 S 7/1968 Holm
 3,422,721 A 1/1969 Yonkers
 3,469,869 A 9/1969 Ramakers
 3,519,292 A 7/1970 Krikorian
 3,541,798 A 11/1970 Schnabel, Jr.
 3,606,023 A 9/1971 Edmunds
 3,638,814 A 2/1972 Lowery
 3,653,697 A 4/1972 Ernst
 D226,051 S 1/1973 Fujinami
 3,731,956 A 5/1973 Hanley
 3,740,692 A 6/1973 Filhaber
 3,747,965 A 7/1973 Wing
 3,753,354 A 8/1973 Bauer
 3,799,357 A 3/1974 Govang
 D232,284 S 8/1974 Shuck
 3,836,007 A 9/1974 Rosenwein
 3,897,724 A 8/1975 McDonald
 D236,565 S 9/1975 Fuller
 3,924,750 A 12/1975 Dunchock
 D238,735 S 2/1976 Trieschmann
 3,938,667 A 2/1976 Buckland

D243,804 S 3/1977 Underwood et al.
 4,019,638 A 4/1977 Miller
 4,022,327 A 5/1977 Anderson
 4,063,836 A 12/1977 Militano
 4,082,389 A 4/1978 Stewart
 4,094,415 A 6/1978 Larson
 4,193,586 A 3/1980 Guenther
 D255,405 S 6/1980 DeVillers
 4,223,862 A 9/1980 Doughty
 4,264,230 A 4/1981 Vanderminden
 4,282,977 A 8/1981 Di Lorenzo
 D260,463 S 9/1981 Imus
 D262,334 S 12/1981 Clarke, Jr. et al.
 4,319,730 A 3/1982 Thalenford
 4,340,317 A 7/1982 Heitmann et al.
 4,358,214 A 11/1982 Shull
 4,386,870 A 6/1983 Baroody
 4,420,087 A 12/1983 Johns
 4,431,332 A 2/1984 Dieges
 4,482,065 A 11/1984 Altemose
 4,485,929 A 12/1984 Betts, Sr.
 4,514,107 A 4/1985 Moreno
 D284,720 S 7/1986 Watson
 4,601,621 A 7/1986 Permoda
 D289,716 S 5/1987 Boland
 D291,031 S 7/1987 Luongo
 4,695,183 A 9/1987 Greenberg
 4,711,594 A 12/1987 Agee
 D295,128 S 4/1988 Gentile
 4,805,783 A 2/1989 Mayer
 4,836,574 A 6/1989 Ingalls
 D306,385 S 3/1990 Alexander et al.
 4,944,415 A 7/1990 Orbach
 4,981,388 A 1/1991 Becken et al.
 4,993,865 A 2/1991 Nagashima
 5,025,936 A 6/1991 Lamoureaux
 5,037,390 A 8/1991 Raines
 D320,325 S 10/1991 Barfield
 5,067,846 A 11/1991 Staniszewski
 5,094,564 A 3/1992 Tedrick
 5,097,966 A 3/1992 Miller
 5,116,007 A 5/1992 Von Gunton et al.
 5,163,567 A 11/1992 Betts, Sr.
 D332,018 S 12/1992 De Pas et al.
 5,169,009 A 12/1992 Bomze
 D333,559 S 3/1993 Rowley
 5,190,393 A 3/1993 Svensson
 5,210,898 A 5/1993 Carey
 5,215,413 A 6/1993 Nance
 5,242,239 A 9/1993 Hosokawa
 5,279,232 A 1/1994 Gollick
 5,306,093 A 4/1994 Elbert
 D348,182 S 6/1994 Young
 D348,806 S 7/1994 Young
 5,326,206 A 7/1994 Moore
 D367,592 S 3/1996 Newport
 5,499,724 A 3/1996 Hickman
 5,503,276 A 4/1996 Pierce
 5,607,070 A 3/1997 Hellyer
 5,653,349 A 8/1997 Dana et al.
 D383,607 S 9/1997 Whitlock
 5,678,794 A 10/1997 Kump
 5,711,436 A 1/1998 Moeller et al.
 5,727,698 A 3/1998 Lai
 5,785,187 A 7/1998 Lipman et al.
 D396,800 S 8/1998 Robert
 5,813,550 A 9/1998 Sheehan et al.
 5,855,347 A 1/1999 Hollingsworth et al.
 D406,217 S 3/1999 Campbell
 5,906,466 A 5/1999 Eandi
 5,918,750 A 7/1999 Jackson
 5,944,203 A 8/1999 Vlah et al.
 6,116,435 A 9/2000 Young
 6,119,875 A 9/2000 Smith
 6,126,022 A 10/2000 Merkel
 6,161,707 A 12/2000 Lin
 6,173,845 B1 1/2001 Higgins et al.
 6,199,705 B1 3/2001 Portner et al.
 6,336,298 B1 1/2002 Chou

(56)

References Cited

U.S. PATENT DOCUMENTS

6,355,038 B1 3/2002 Pisharodi
 6,361,129 B1 3/2002 Borgen
 D460,295 S 7/2002 Fissell et al.
 D460,902 S 7/2002 Battle
 6,443,316 B1 9/2002 Mao
 6,464,691 B1 10/2002 Castaneda
 6,502,711 B1 1/2003 McRae
 6,561,474 B1 5/2003 Walter et al.
 6,575,312 B2 6/2003 Santa Cruz
 6,589,277 B1 7/2003 Fabiani
 6,644,483 B1 11/2003 Lai
 6,675,978 B2 1/2004 Shea
 6,695,154 B2 2/2004 Jacobs
 6,711,871 B2 3/2004 Beirise et al.
 6,729,481 B1 5/2004 O'Brien
 6,763,956 B2 7/2004 Woods
 6,786,337 B2 9/2004 Klein
 D497,526 S 10/2004 Sanders et al.
 6,808,147 B2 10/2004 Brannen et al.
 D509,108 S * 9/2005 Rosenberg D7/601
 6,945,414 B1 9/2005 Stevens et al.
 6,991,117 B2 1/2006 McCain
 7,040,835 B2 5/2006 Sun
 D539,563 S 4/2007 Grosfillex
 7,198,159 B2 4/2007 Fischer
 D543,078 S 5/2007 Davalos
 7,270,242 B2 9/2007 Liu
 D554,188 S 10/2007 Bonaventura
 7,284,671 B1 10/2007 Doscher
 7,284,734 B2 10/2007 Hamerski
 D566,490 S 4/2008 Frentzel
 7,377,397 B2 5/2008 Lee et al.
 7,392,912 B2 7/2008 Zandt
 7,448,820 B1 11/2008 Faber
 7,517,425 B2 4/2009 Schroeder et al.
 7,673,761 B2 3/2010 Lee et al.
 D618,524 S 6/2010 Nesil et al.
 7,806,268 B2 10/2010 Angelocci
 7,850,017 B2 12/2010 McCain
 7,861,986 B2 1/2011 Cline
 7,878,340 B1 2/2011 Olsen
 7,882,967 B2 2/2011 Hynes
 D634,992 S 3/2011 McNamee
 7,942,747 B2 5/2011 Cole
 D655,986 S 3/2012 Schneider
 8,231,015 B2 7/2012 McCain
 8,272,506 B1 9/2012 Flannery
 8,336,862 B2 12/2012 Priefert
 D678,011 S * 3/2013 Wylie D7/704
 8,573,548 B2 11/2013 Kuhn et al.
 8,607,994 B1 12/2013 Schneider
 8,668,049 B2 3/2014 Leng
 8,684,194 B2 4/2014 McCain
 8,740,534 B2 6/2014 Shawe
 D708,494 S 7/2014 Carpenter
 8,807,896 B2 8/2014 McKinlay
 D714,591 S 10/2014 Chen
 D714,592 S 10/2014 Chen
 D715,103 S 10/2014 Chen
 D715,104 S 10/2014 Chen
 D715,105 S 10/2014 Chen
 D731,866 S 6/2015 Paulick
 9,060,603 B1 6/2015 Christie
 9,064,687 B2 6/2015 Rebstock
 D734,977 S 7/2015 Dietz
 D735,540 S 8/2015 Carpenter
 D739,189 S 9/2015 Carpenter
 D739,190 S 9/2015 Kasza
 9,149,115 B2 10/2015 Kasza et al.
 D747,155 S 1/2016 Goodman
 D751,371 S 3/2016 Pan
 D751,871 S 3/2016 Polley et al.
 9,289,062 B1 3/2016 Posa
 D756,723 S 5/2016 Cash
 D758,754 S * 6/2016 Appleby D6/514

9,364,085 B2 6/2016 McCain
 D766,051 S 9/2016 LaRiviere
 D766,052 S 9/2016 Guindi
 D776,956 S 1/2017 Ma
 9,565,933 B2 2/2017 Kasza
 9,629,485 B2 4/2017 Florek
 D785,418 S 5/2017 Carpenter
 D789,164 S 6/2017 Peterson
 9,949,563 B2 4/2018 Kasza et al.
 10,004,330 B1 6/2018 Kasza
 D821,831 S 7/2018 Kasza
 D834,900 S * 12/2018 Kasza D7/701
 D838,561 S * 1/2019 Sill D7/701
 D848,802 S * 5/2019 Kasza D7/701
 10,441,075 B2 10/2019 Kasza et al.
 D878,828 S * 3/2020 Kasza D6/675
 D891,202 S * 7/2020 Kasza D7/701
 10,835,037 B2 11/2020 Kasza
 2001/0013567 A1 8/2001 Valiulis
 2003/0057336 A1 3/2003 Hochman
 2004/0069730 A1 4/2004 Woods
 2004/0104187 A1 6/2004 McCain
 2004/0144740 A1 7/2004 Przygoda
 2005/0072746 A1 4/2005 O'Brien
 2006/0275098 A1 12/2006 Kramer
 2007/0039907 A1 2/2007 Zandt
 2007/0068887 A1 3/2007 Nawrocki
 2007/0094985 A1 5/2007 Grafenauer
 2007/0158284 A1 7/2007 Felder
 2008/0000861 A1 1/2008 Mullerleile
 2008/0054142 A1 3/2008 Deland
 2009/0071920 A1 3/2009 Bassetti
 2009/0152219 A1 6/2009 Brida
 2009/0152221 A1 6/2009 Hynes
 2009/0286611 A1 11/2009 Beach et al.
 2010/0006523 A1 1/2010 Hogeback
 2010/0051769 A1 3/2010 Tyson
 2011/0132853 A1 6/2011 Drobot et al.
 2011/0309220 A1 12/2011 Collini
 2012/0082528 A1 4/2012 Wang
 2012/0085721 A1 4/2012 Drobot et al.
 2013/0334155 A1 12/2013 Kasza et al.
 2014/0339182 A1 * 11/2014 Koder A47B 73/00
 211/75
 2015/0060380 A1 3/2015 Maurer
 2016/0029790 A1 2/2016 Carpenter
 2016/0190838 A1 6/2016 Webb
 2016/0331131 A1 11/2016 Ghaeni
 2017/0105522 A1 4/2017 Kasza et al.
 2018/0146781 A1 5/2018 Kasza et al.
 2019/0021492 A1 * 1/2019 Sill A47B 73/00
 2021/0015253 A1 * 1/2021 Kasza A47B 96/028
 2021/0022527 A1 * 1/2021 Keller A47F 5/0846

FOREIGN PATENT DOCUMENTS

CA 2677021 2/2010
 CA 2743948 5/2010
 CN 303752353 7/2016
 DE 3015594 A1 12/1981
 DE 20309209 UI 8/2003
 EP 1389437 2/2004
 FR 0652290001 1/2007
 GB 261537 11/1926
 GB 1202519 8/1970
 GB 2189387 A 10/1987
 GB 2242352 A 10/1991
 NL 1021103 C1 1/2004
 WO WO 2014032158 A1 3/2014

OTHER PUBLICATIONS

U.S. Appl. No. 15/980,834, filed May 16, 2018, First Named Inventor: Jamie Dennis Kasza.
 Design U.S. Appl. No. 29/647,826, filed May 16, 2018, First Named Inventor: Jamie Dennis Kasza.
 Office Action in European Patent Application No. EP13172148.2 (dated Aug. 14, 2018).

(56)

References Cited

OTHER PUBLICATIONS

Extended European Search Report for European Patent Application No. 13172148.2 (dated Aug. 19, 2013).

Vin De Garde, "Beta Bloc—Single Bottle," 3D Warehouse SketchUp, <http://sketchup.google.com/3dwarehouse/details?mid=950db41b6d3bd0edc72a6080af74e2bc>, 1 page (Nov. 30, 2012).

Billy Carpenter, Twitter Post, <https://twitter.com/moderncellars/status/252140684579061760>, 1 page (Sep. 29, 2012).

Billy Carpenter, Twitter Post, <https://twitter.com/moderncellars/status/254266152501526529>, 1 page (Oct. 5, 2012).

Vin De Garde, 2013 Catalog, "Vin De Garde 2013, Modern Wine Cellars," pp. 1-29 (2013).

Amazon.fr, Product Description, Blomus Pilare /68486 Casier a vin Pour 12 Bouteilles [Blomus Pilare /68486 Wine Rack for 12 Bottles], http://www.amazon.fr/blomus-pilare-68486-Casier-bouteilles/dp/B000BKBJWC/ref=sr_1_1?ie=UTF8&qid=1421968472&sr=8-1&keywords=Blomus+Pilare, date first available at Amazon.fr Aug. 8, 2007 (accessed Jan. 22, 2015).

Hayneedle.com, Product Description, Blomus Pilare Wine Rack—Choose 9 or 12 Bottle Rack, review 1 dated Nov. 9, 2006, <http://www.hayneedle.com/product/pilarewinerack.cfm> (accessed Jan. 10, 2015).

Amazon.com, Product Description, Blomus Wine Bottle Storage, Holds 12 Bottles, review by Brian Go dated Aug. 2, 2011, <http://www.amazon.com/Blomus-Bottle-Storage-Holds-Bottles/dp/B000BKBJWC> (accessed Jan. 10, 2015).

Walmart.com, Product Description, Blomus Pilare Wine Rack—Choose 9 or 12 Bottle Rack, review by Carol-Simplify dated Mar. 26, 2008, <http://www.walmart.com/ip/blomus-Pilare-Wine-Rack-Choose-9-or-12-Bottle-Rack/17361365>, (accessed Jan. 10, 2015).

Amazon.de, Product Description, Blomus 68486 PILARE Weinregal, für 12 Flaschen [Blomus 68486 PILARE Wine Rack for 12 Bottles], <http://www.amazon.de/Blomus-68486-PILARE-Weinregal-Flaschen/dp/B000BKBJWC>, date first available at Amazon.de Sep. 22, 2005 (accessed Jan. 22, 2015).

Stact.com, "Turn Your Wine Into Art," <http://www.getstact.com/> (archived Jul. 29, 2012).

Rosendahl, Spec Sheet, Wine Rack, https://web.archive.org/web/20050304022515/http://www.unicahome.com/products/pdf/9223/rosendahl_wine Rack.pdf (Feb. 8, 2005).

International Search Report for PCT/CA2013/000259, published as WO 2014/032158 (dated Dec. 23, 2013).

Vin De Garde Cellar Systems, Modern Wine Cellars Catalog 2011 (2011).

Genuwine Cellars, Label Link (retrieved from <http://www.genuwinecellars.com/metal-series/label-link/on> Jan. 25, 2013).

Genuwine Cellars, PEG System (retrieved from <http://www.genuwinecellars.com/metal-series/peg-system/> on Jan. 25, 2013).

Genuwine Cellars, Metal Series (retrieved from <http://www.genuwinecellars.com/metal-series/on> Feb. 21, 2013).

Houzz Inc., Bachus Bottle Rack—modern—wine racks—by Made in Design, 2013 (retrieved from <http://www.houzz.com/photos/151858/Bachus-Bottle-Rack-modern-wine-racks-on> Jul. 18, 2013).

Houzz Inc., Live-Edge Solid Walnut 6-Bottle Wine Rack—eclectic—wine racks by Etsy, 2013 (retrieved from <http://www.houzz.com/photos/2739502/Live-Edge-Solid-Walnut-6-Bottle-Wine-Rack-eclectic-wine-racks-on> Jul. 18, 2013).

Houzz Inc., Wood & Metal Industrial Wine Rack—contemporary—wine racks—by World Market, 2013 (retrieved from <http://www.houzz.com/photos/1548374/Wood---Metal-Industrial-Wine-Rack-contemporary-wine-racks-on> Jul. 18, 2013).

STACT Wine Displays Inc., STACT revolutionary wine rack, 2013 (retrieved from <http://www.getstact.com/collections/wine-rack-revolutionized> on Jul. 18, 2013).

Kickstarter.com, "STACT Modular Wine Wall: Wine Storage Beautified," launched Jul. 26, 2012, <http://www.kickstarter.com/projects/stact/stact-modular-wine-wall-wine-storage-beautified> (archived Jul. 28, 2012).

Marketwired.com, "Wine Storage Beautified: Canada's STACT Modular Wine Wall System Launches Globally through Kickstarter,"

<http://www.marketwired.com/press-release/wine-storage-beautified-canadas-stact-modular-wine-wall-system-launches-globally-through-1684078.htm> (Jul. 26, 2012).

Gillian Shaw, "Vancouver Wine Connoisseur Launches Successful Kickstarter Project to Fund the Perfect Wine Rack," Vancouver Sun, Digital Life, <http://blogs.vancouversun.com/2012/07/28/vancouver-wine-connoisseur-launches-successful-kickstarter-project-to-fund-the-perfect-wine-rack/> (Jul. 28, 2012).

Kim Hart Macneill, "A New Way to Kickstart a Business," Profitguide.com, <http://www.profitguide.com/startup/best-practices/mass-appeals-40210> (Sep. 5, 2012).

Uncrate.com, "Stact Modular Wine Wall," <http://uncrate.com/stuff/stact-modular-wine-wall/> (archived Jul. 30, 2012).

billwang.net, Design Online, [Billwang Industrial Design Forum > Industrial Design Zone > Design Resources > Design Resources Digest > Nordic windows, some household items map , p. 25 Update (Jul. 5)], Posted on Dec. 11, 2006 , 17:04, <http://bbs.billwang.net/post5298125-187/> (accessed Jan. 22, 2015).

Aronson, Steven M. L. et al., "An Ocean of Art William I. Koch's Stellar Collection in Palm Beach," *Architectural Digest* (Mar. 2002).

Sothebys.com, "First Look: Wines from the Cellar of William I. Koch," Video Screenshot at 0:37, <http://www.sothebys.com/content/sothebys/en/news-video/videos/2016/03/wines-from-the-cellar-of-william-i-koch.html>.

Youtube.com, "The Wine Cellar of William I. Koch: The Collector," Video Screenshot at 0:24 and 0:48, <https://www.youtube.com/watch?v=GX88VKyJ7h0>.

Isaac, Ryan "Oil, Water and Wine Bill Koch mixes it up, for profit and pleasure," *Wine Spectator* (Nov. 2006).

Worldmarket.com, Product Description, 30-Bottle Verona Wine Rack, <http://www.worldmarket.com/product/30-bottle-verona-wine-rack.do?&from=fn> (earliest date online Jul. 27, 2015; accessed Feb. 28, 2017).

Dullred.com, "Nice Rectangle Shape Kitchen Wine Racks Come With Brown Wooden Modular Shape Wine Rack and Brown Wooden Wire Glass Cabinet and Double Door Cabinet," <http://www.dullred.com/woriderfill-design-ideas-of-kitchen-wine-racks/nice-rectangle-shape-kitchen-wine-racks-brown-wooden-modular-shape-wine-rack-brown-wooden-wine-glass-cabinet-double-door-cabinet/> (earliest date online Nov. 14, 2015; accessed Feb. 28, 2017).

Core77.com, "Designing for Wine Storage," <http://www.core77.com/posts/26960/Designing-for-Wine-Storage> (earliest date online May 29, 2014; accessed Feb. 28, 2017).

Vigilantinc.com, "Vintage View Metal Wine Racks," <https://vigilantinc.com/wine-racks/metal-wine-racks.php> (earliest date online 2015; accessed Feb. 28, 2017).

Indiamart.com, "Wall Mount Bottle Rack," <https://www.indiamart.com/proddetail/wall-mount-wine-bottle-rack-14778959562.html> (retrieved by the USPTO on Nov. 28, 2017).

Getstact.com, "Wine Rack Lookbook," <https://getstact.com/pages/wine-rack-lookbook> (retrieved by the USPTO on Nov. 28, 2017).

Dustymars.net, "Cantilever Staircase," <http://www.dustymars.net/cantilever-staircase> (retrieved by the USPTO on Nov. 28, 2017).

U.S. Appl. No. 29/521,526, filed Mar. 24, 2015, First Named Inventor: Jamie Dennis Kasza.

U.S. Appl. No. 29/589,781, filed Jan. 4, 2017, First Named Inventor: Jamie Dennis Kasza.

U.S. Appl. No. 29/609,604, filed Jul. 3, 2017, First Named Inventor: Jamie Dennis Kasza.

U.S. Appl. No. 15/409,263, filed Jan. 18, 2017, First Named Inventor: Jamie Dennis Kasza.

U.S. Appl. No. 15/883,852, filed Jan. 30, 2018, First Named Inventor: Jamie Dennis Kasza.

U.S. Appl. No. 29/625,830, filed Nov. 13, 2017, First Named Inventor: Jamie Dennis Kasza.

* cited by examiner

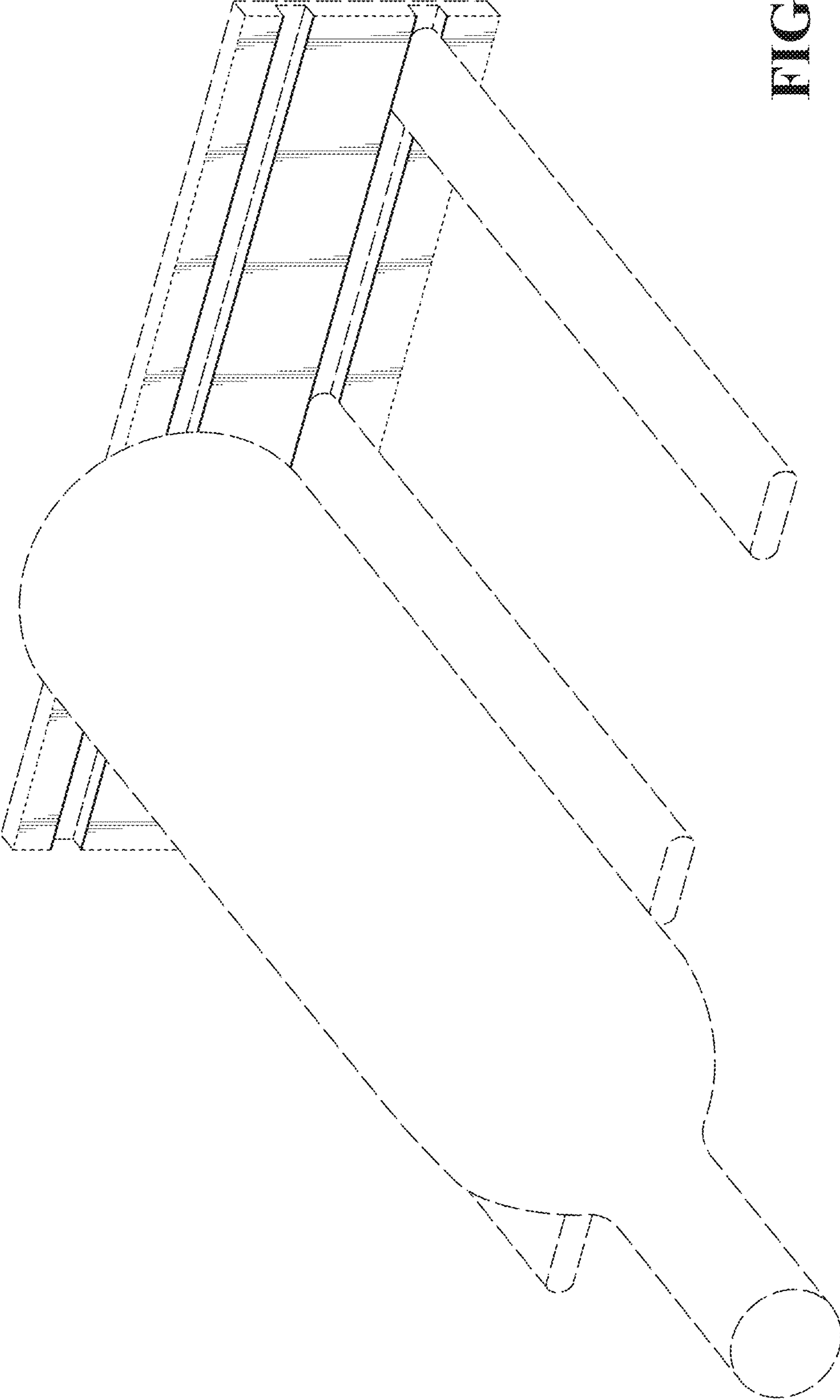


FIG. 1

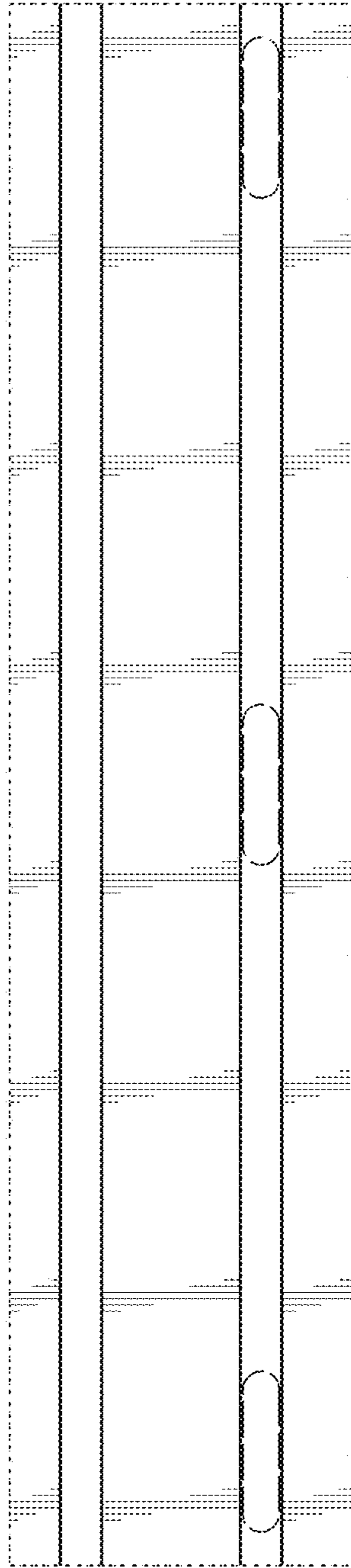


FIG. 2

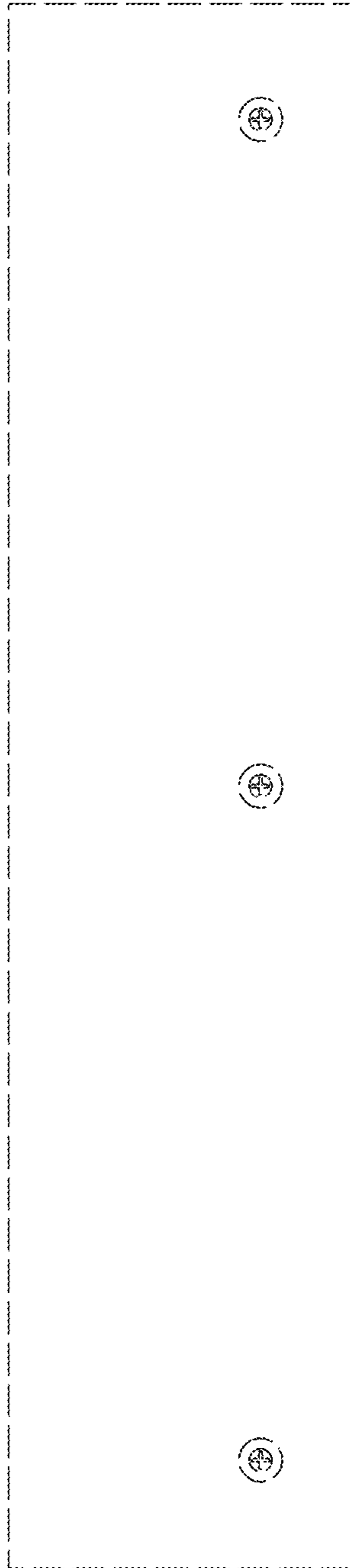


FIG. 3

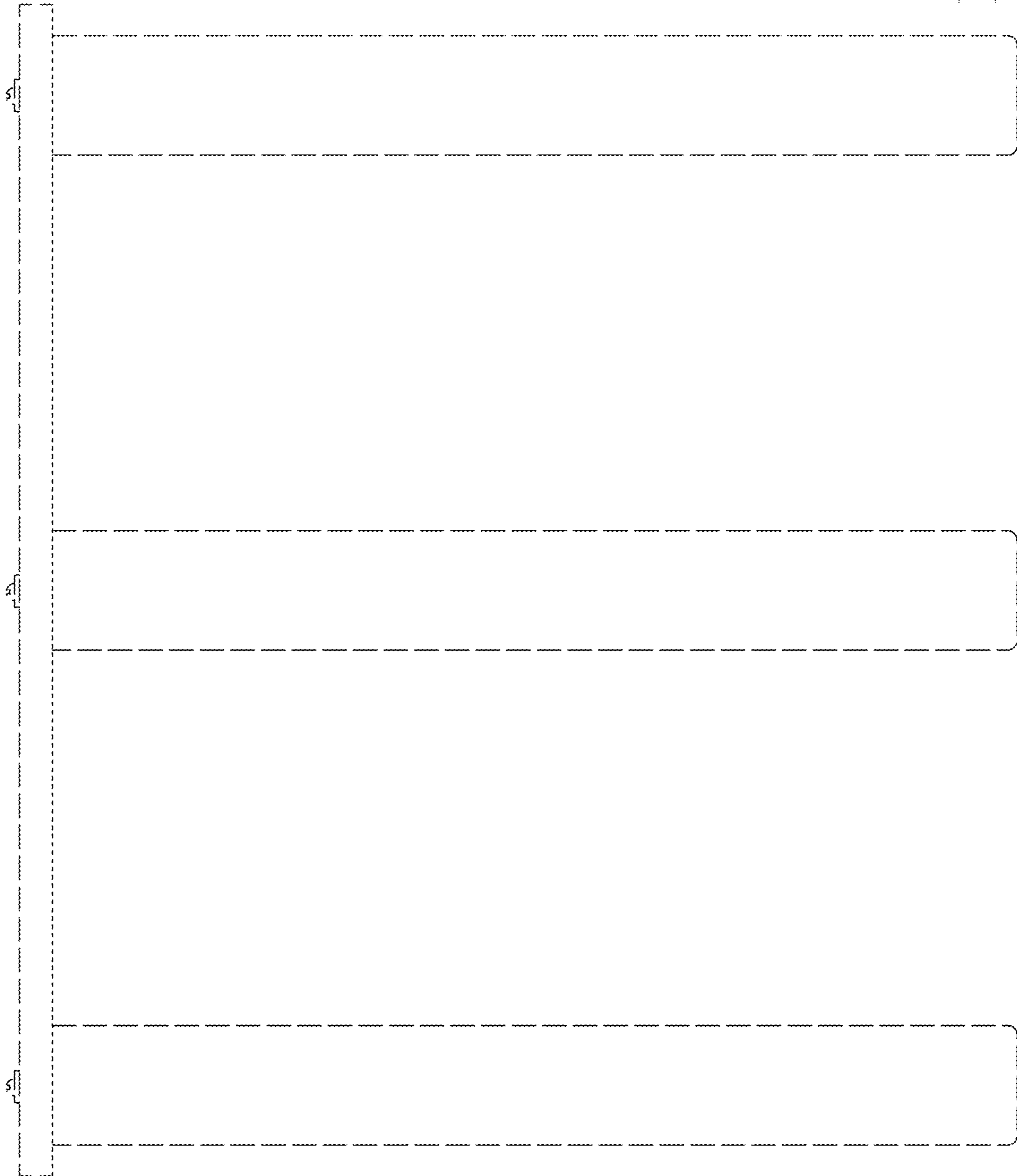


FIG. 4

FIG. 5



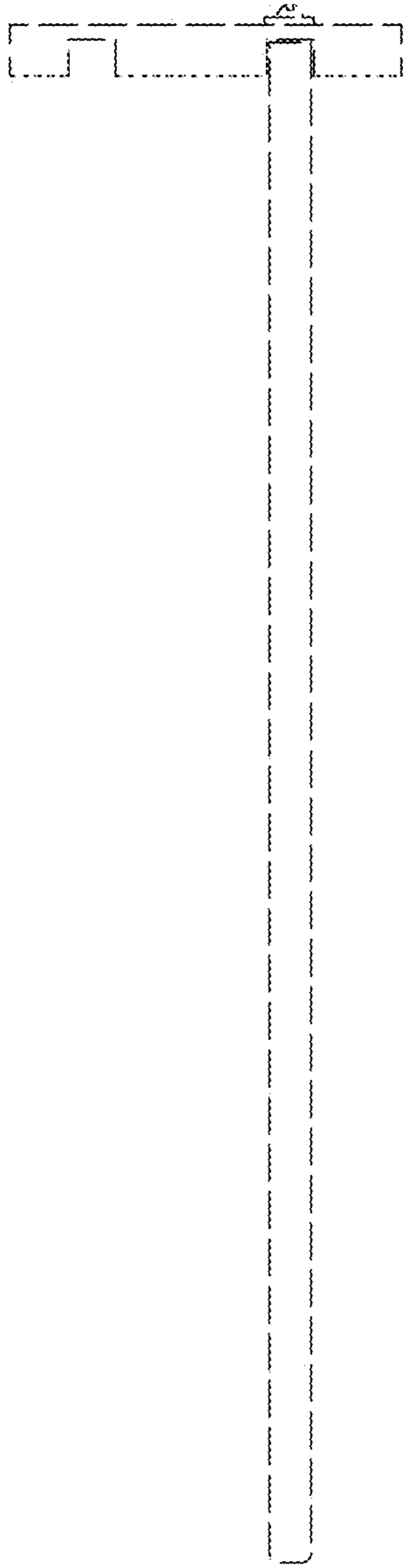


FIG. 6

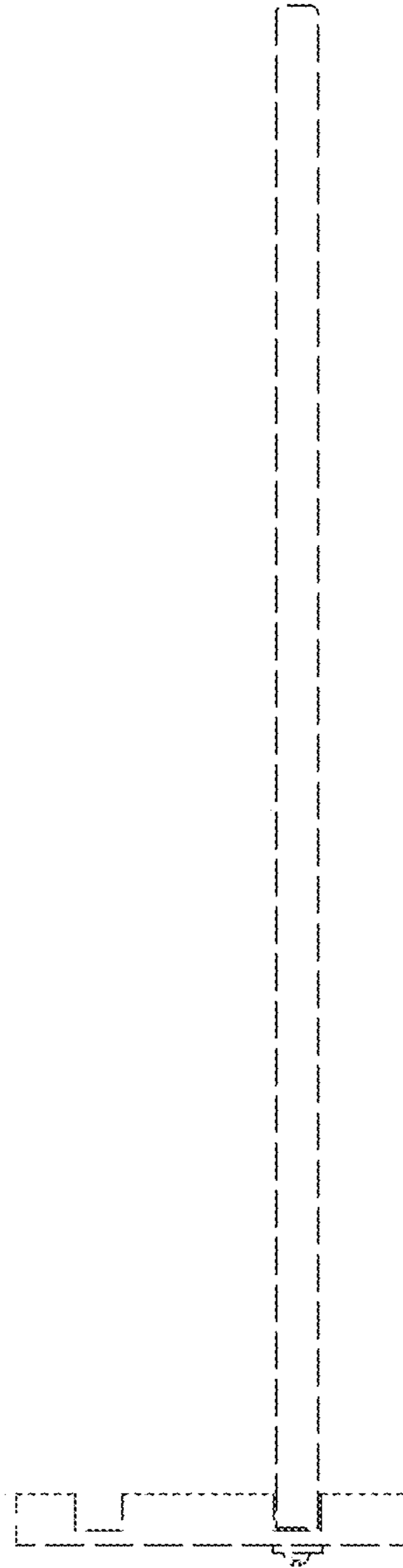


FIG. 7

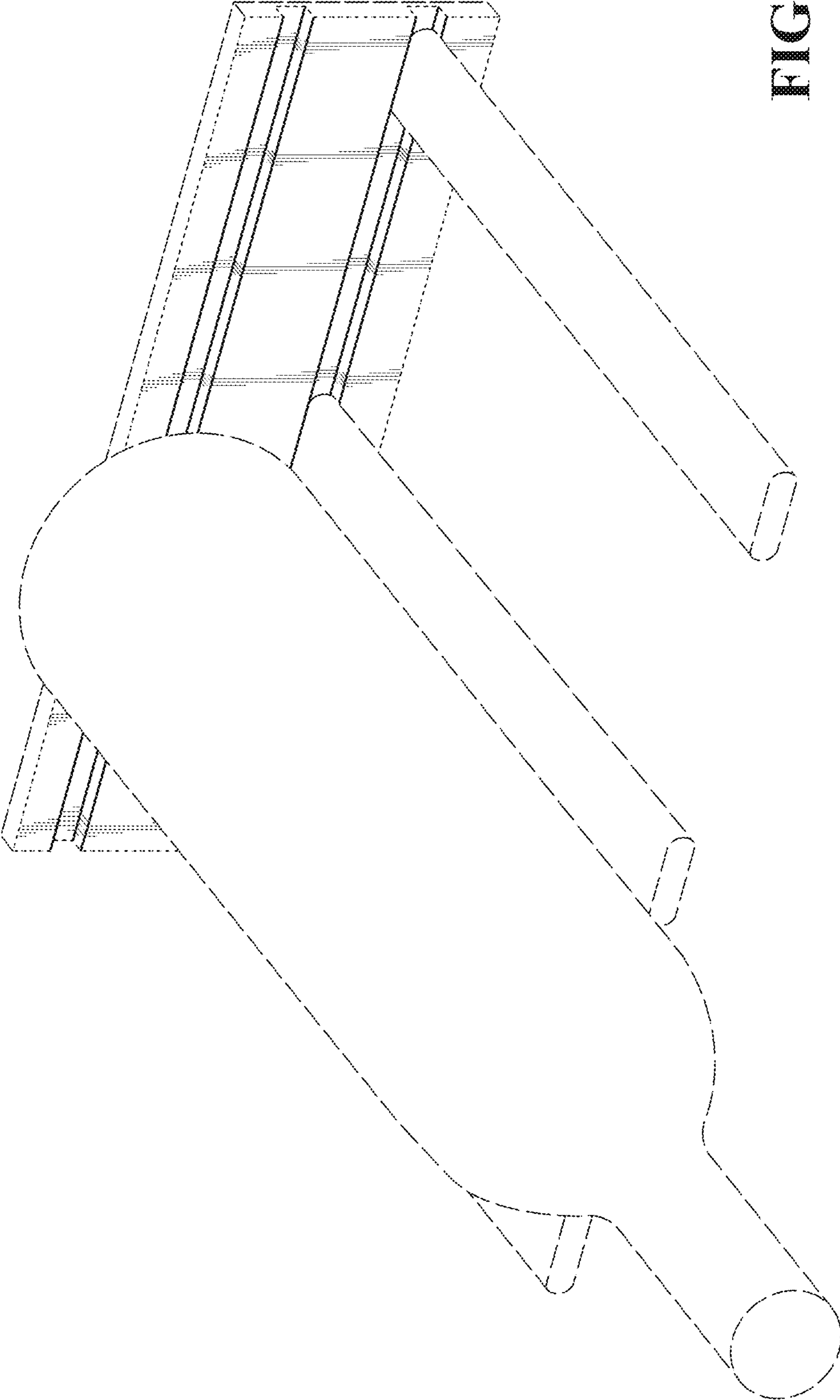


FIG. 8

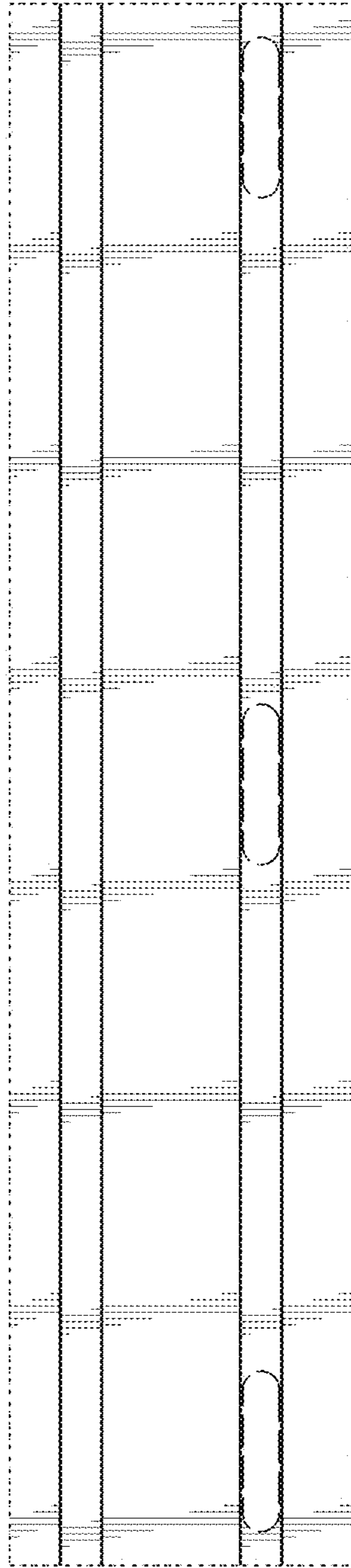


FIG. 9

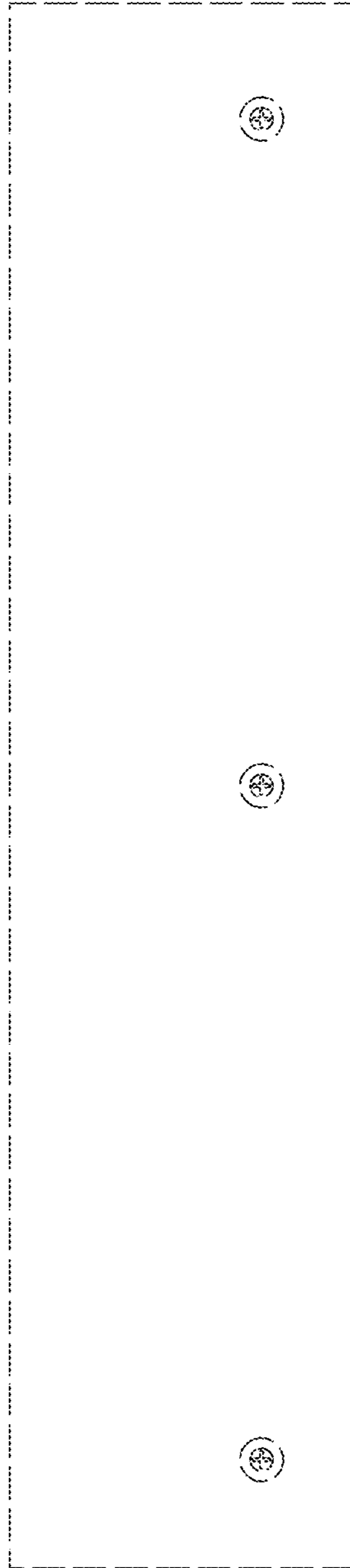


FIG. 10

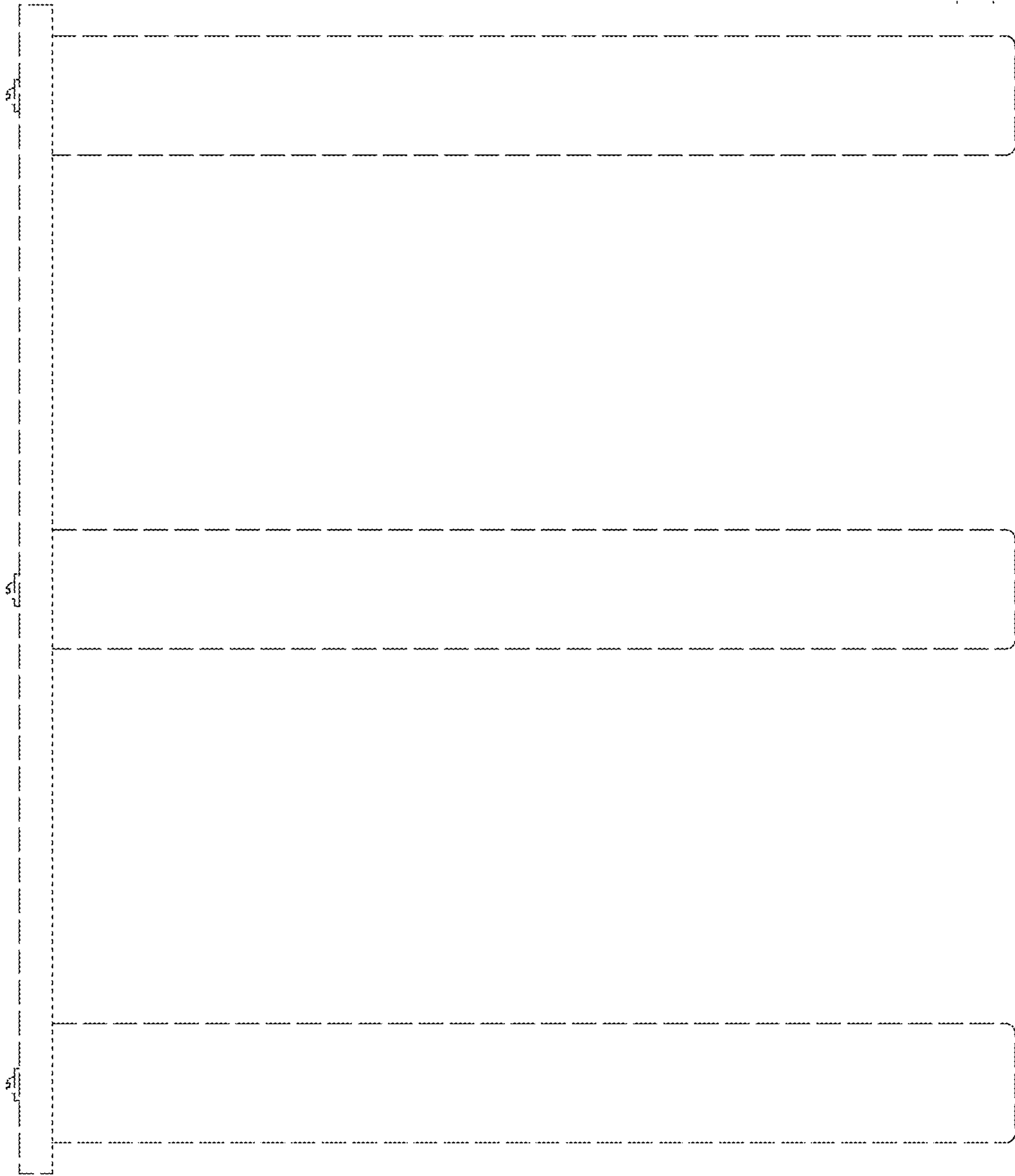


FIG. 11

FIG. 12



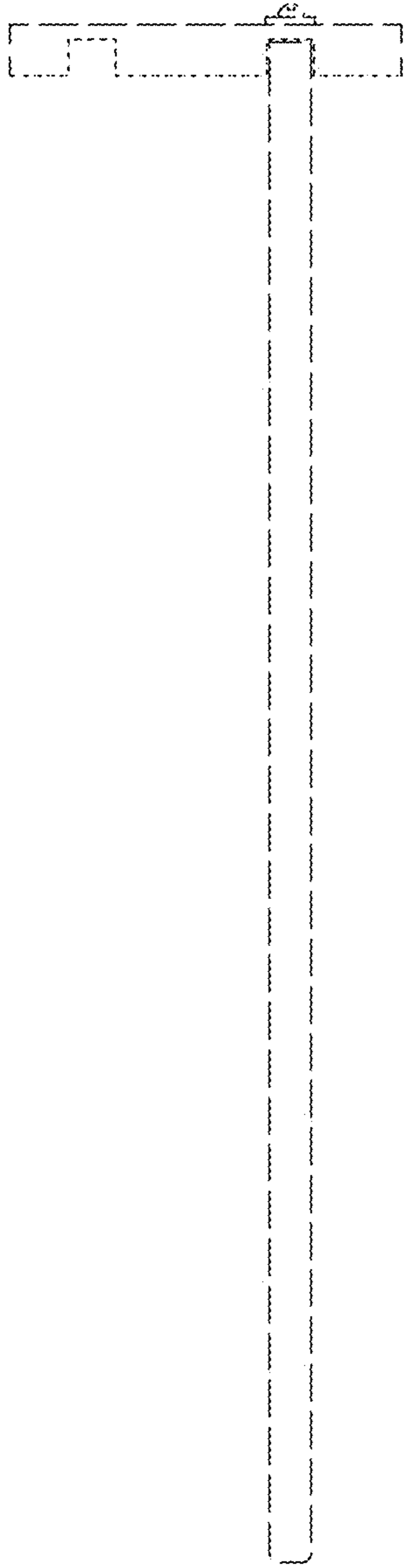


FIG. 13

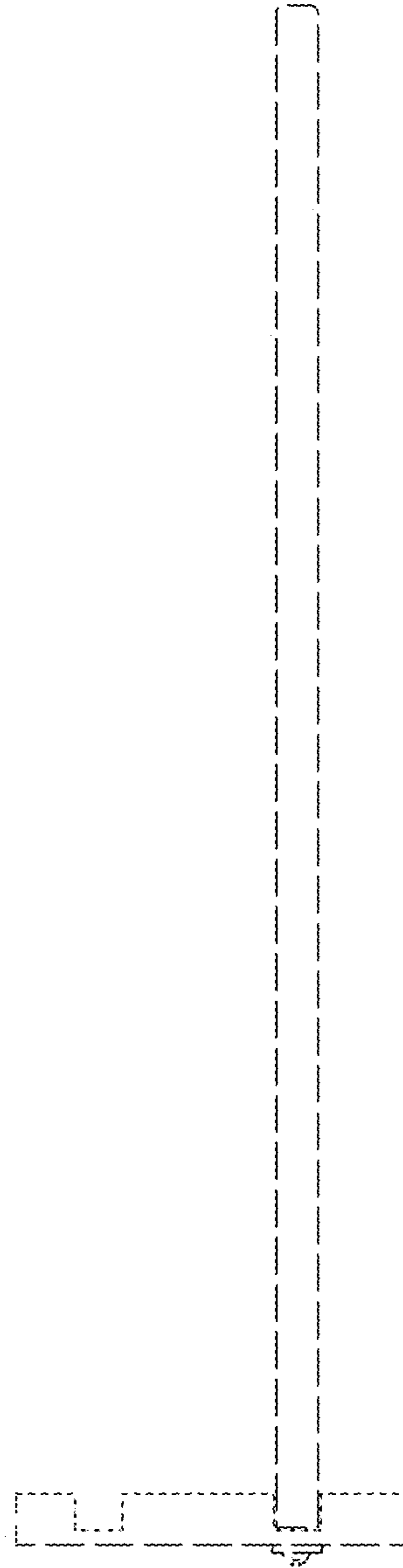


FIG. 14