



US00D923984S

(12) **United States Design Patent**
Chavarria Domingo

(10) **Patent No.: US D923,984 S**
(45) **Date of Patent: ** *Jul. 6, 2021**

- (54) **TABLE**
- (71) Applicant: **MAXCHIEF EUROPE, S.L.**,
Barcelona (ES)
- (72) Inventor: **Juan Chavarria Domingo**, Barcelona
(ES)
- (73) Assignee: **MAXCHIEF EUROPE, S.L.**,
Barcelona (ES)
- (*) Notice: This patent is subject to a terminal disclaimer.
- (**) Term: **15 Years**
- (21) Appl. No.: **29/671,574**
- (22) Filed: **Nov. 28, 2018**
- (51) **LOC (13) Cl.** **06-03**
- (52) **U.S. Cl.**
USPC **D6/692.4**
- (58) **Field of Classification Search**
USPC D6/685, 686, 692, 692.4, 711.1
CPC A47B 3/087; A47B 3/0912; A47B 3/10;
A47B 3/00; A47B 3/08; A47B 3/0911;
A47B 3/0918
See application file for complete search history.

7,703,402 B2 * 4/2010 Larcom A47B 3/10
108/169
D619,831 S * 7/2010 Branch D6/711.1
7,757,617 B2 * 7/2010 Larcom A47B 3/0815
108/132

(Continued)

OTHER PUBLICATIONS

“New Storm Round Founding Table.” Found online Oct. 20, 2020 at www.amazon.co.uk. Product first available Dec. 19, 2016. Retrieved from URL: https://www.amazon.co.uk/New-Storm-Round-Founding-Table/dp/B00KPSDB0S (Year: 2016).*

(Continued)

Primary Examiner — Mary Ann Calabrese
Assistant Examiner — Katelin G Kloberg
(74) *Attorney, Agent, or Firm* — Hill Wallack LLP; Jason L DeFrancesco

(57) **CLAIM**

The ornamental design for a table, as shown and described.

DESCRIPTION

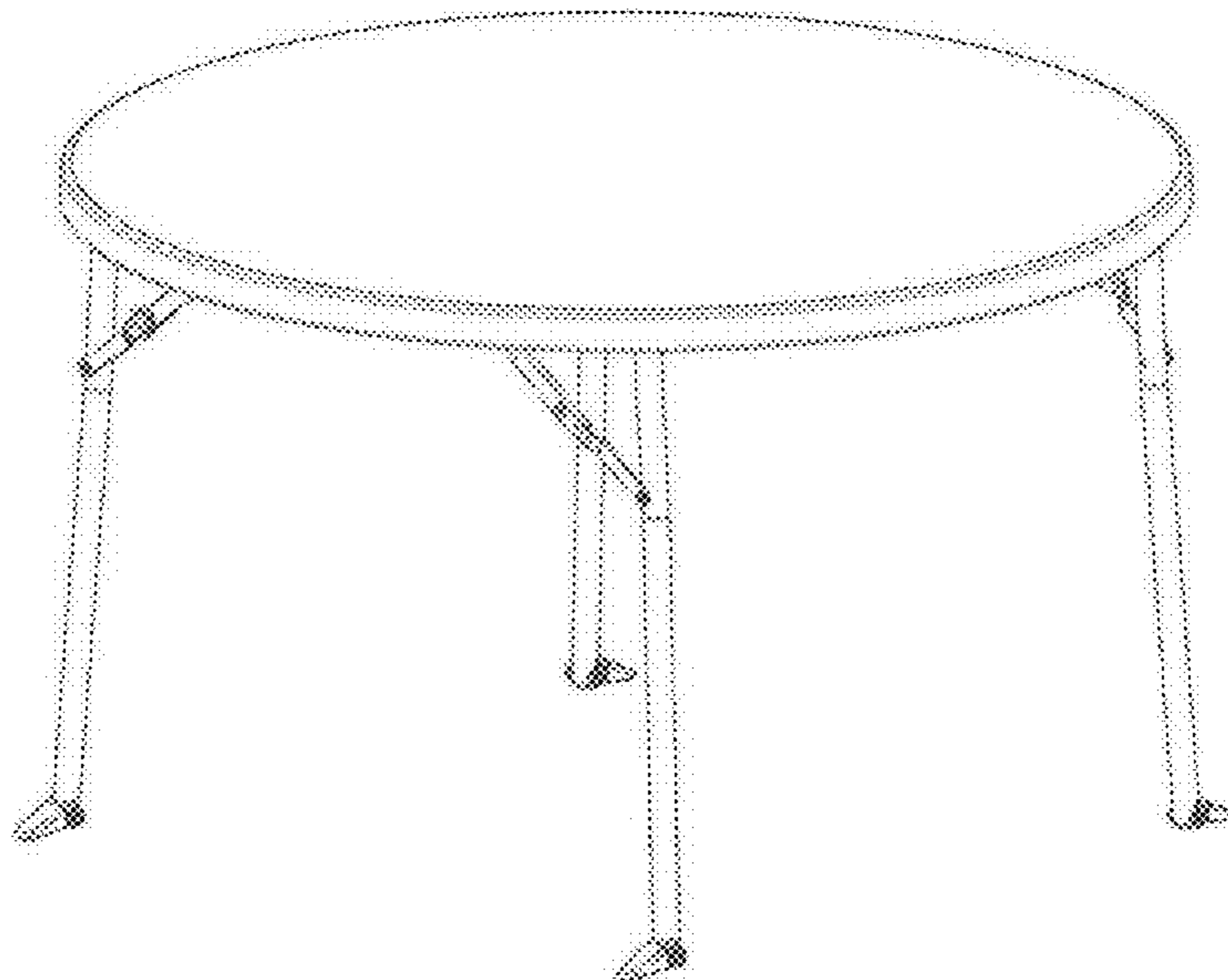
FIG. 1 is a perspective view of a table, showing my new design with the feet in a protracted position;
FIG. 2 is a front elevational view of FIG. 1, wherein the rear elevational view is a mirror image thereof;
FIG. 3 is a right-side elevational view of FIG. 1, wherein the left-side elevational view is a mirror image thereof;
FIG. 4 is a top plan view of FIG. 1;
FIG. 5 is a perspective view of a table, showing my new design with the feet in a retracted position;
FIG. 6 is a front elevational view of FIG. 5, wherein the rear elevational view is a mirror image thereof;
FIG. 7 is a right-side elevational view of FIG. 5, wherein the left-side elevational view is a mirror image thereof; and,
FIG. 8 is a top plan view of FIG. 5.

1 Claim, 5 Drawing Sheets

(56) **References Cited**

U.S. PATENT DOCUMENTS

- D44,297 S * 7/1913 Coffin D6/692.4
- 2,934,386 A * 4/1960 Shore A47B 3/087
108/35
- D288,391 S * 2/1987 Colby D6/692.5
- 6,508,184 B1 * 1/2003 Winter A47B 3/0915
108/125
- D480,580 S * 10/2003 Buono D6/692.4
- 6,651,568 B1 * 11/2003 Buono A47B 3/0915
108/127
- D511,913 S * 11/2005 Kearl D6/686



(56)

References Cited

U.S. PATENT DOCUMENTS

7,814,844 B2 * 10/2010 Haney A47B 13/08
108/132
8,261,676 B2 * 9/2012 VanNimwegen A47B 3/0912
108/125
D738,147 S * 9/2015 Lin D6/692
D742,147 S * 11/2015 Lin D6/692
9,504,314 B2 * 11/2016 Leng A47B 3/087
9,532,644 B2 * 1/2017 Nye A47B 7/02
D787,868 S * 5/2017 Lin D6/692
D891,162 S * 7/2020 Leng D6/692.4
2005/0155533 A1 * 7/2005 Lin A47B 3/0912
108/132
2006/0236902 A1 * 10/2006 Haney A47B 13/08
108/57.16
2008/0216719 A1 * 9/2008 Larcom A47B 3/0815
108/132
2008/0264307 A1 * 10/2008 VanNimwegen A47B 3/0912
108/129
2009/0078174 A1 * 3/2009 Larcom A47B 3/0815
108/169
2009/0293778 A1 * 12/2009 Branch A47B 3/0918
108/131

2013/0180438 A1 * 7/2013 Nye A47B 3/0915
108/91
2015/0182016 A1 * 7/2015 Rivera F16B 2/185
108/123
2016/0066684 A1 * 3/2016 Leng A47B 13/003
108/166

OTHER PUBLICATIONS

“Flash Furniture 4-Foot Round Granite White Plastic Folding Table.” Found online Oct. 20, 2020 at www.amazon.com. Product reviewed May 21, 2016. Retrieved from URL: <https://tinyurl.com/yxpvb7bj> (Year: 2016).*

“Lifetime 280435 Commercial Round Folding Table.” Found online Oct. 20, 2020 at www.amazon.com. Product first available Oct. 31, 2014. Retrieved from URL: <https://tinyurl.com/y3uqzfeu> (Year: 2014).*

“60-inch Round Plastic Folding Table—Heavy Duty Round Banquet Table.” Found online Oct. 20, 2020 at www.ebay.com. Product first listed Oct. 21, 2019. Retrieved from URL: https://www.ebay.com/rvh/254350590639?rt=nc&_trksid=p2047675.148144 (Year: 2019).*

* cited by examiner

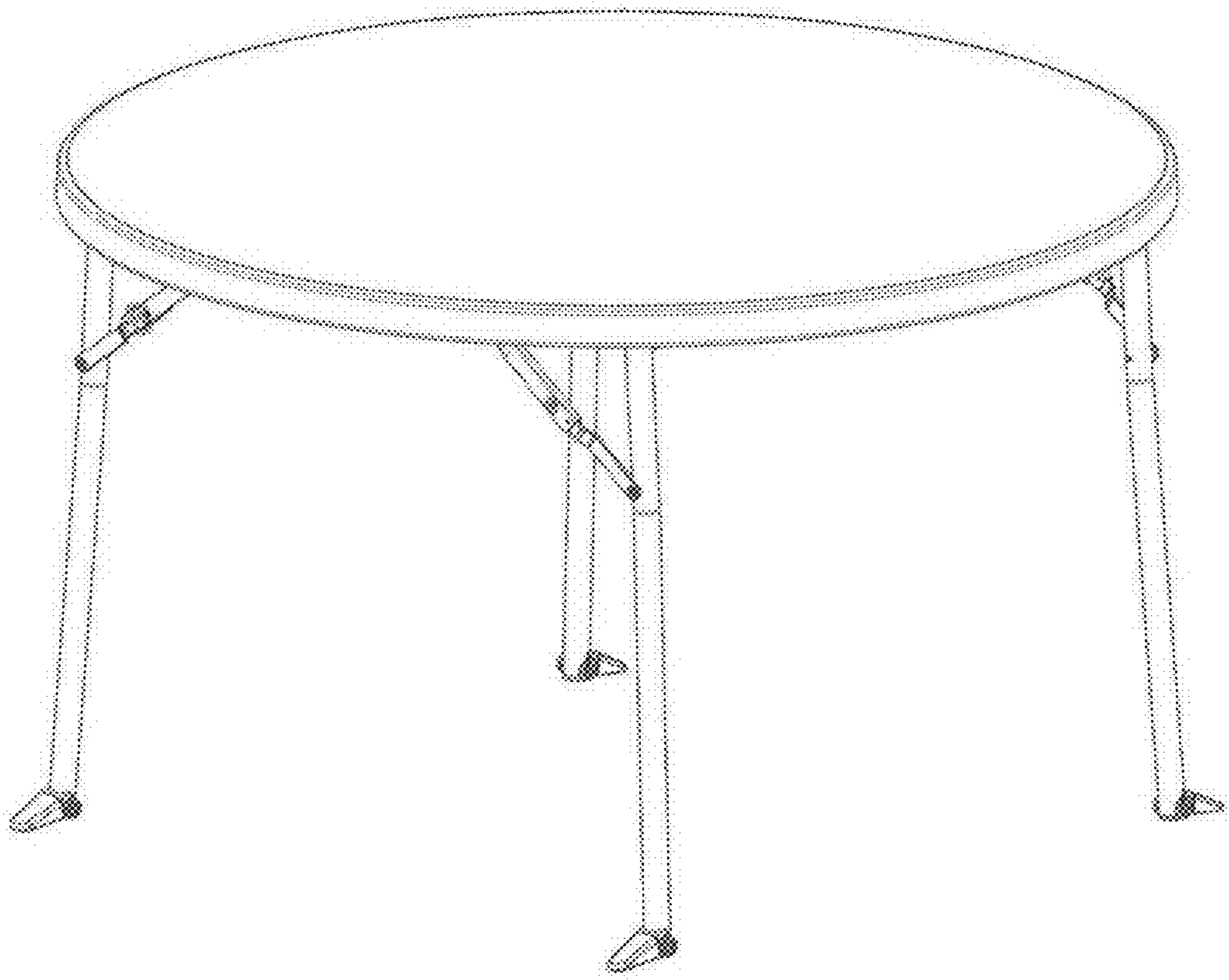


FIG 1

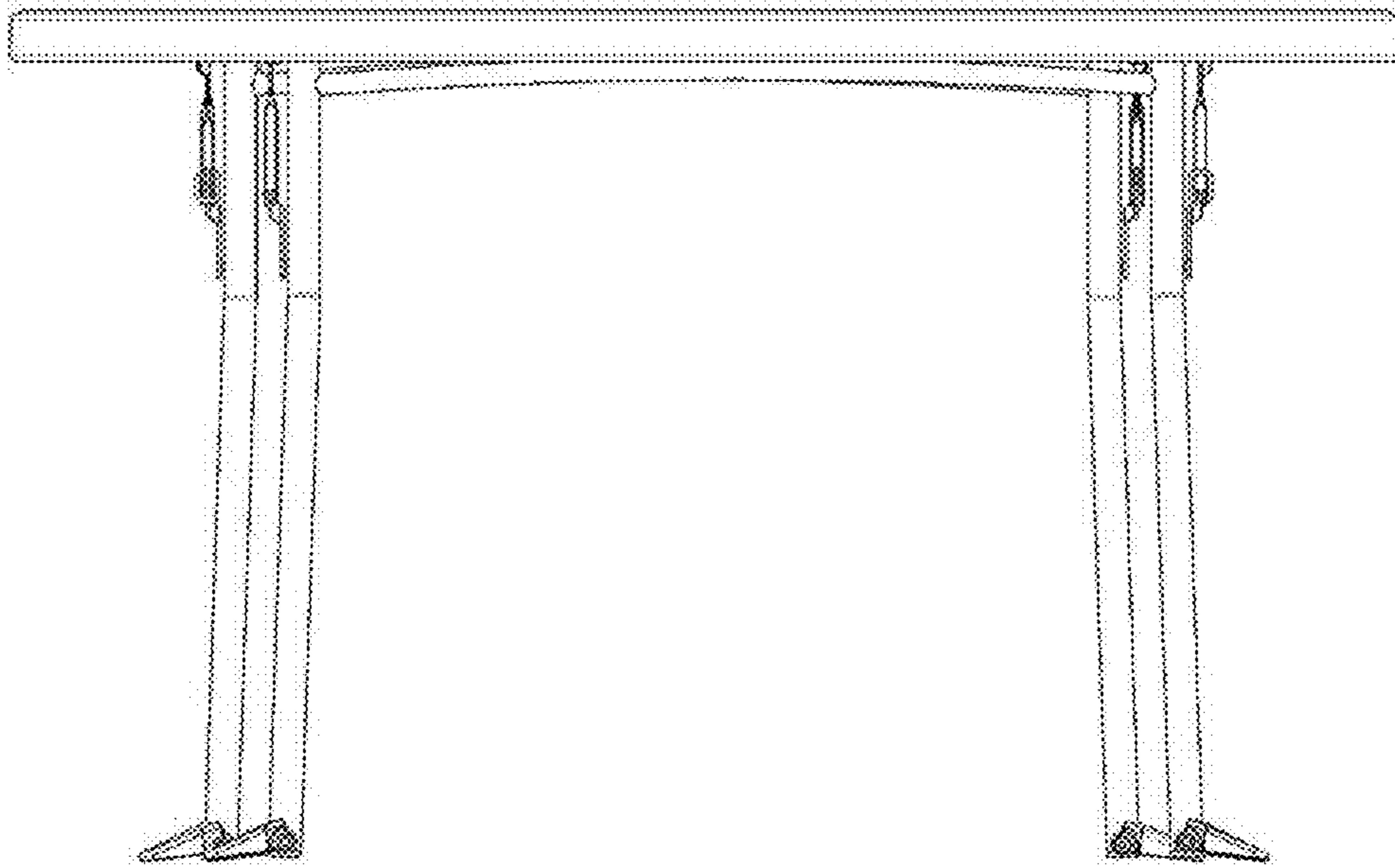


FIG 2

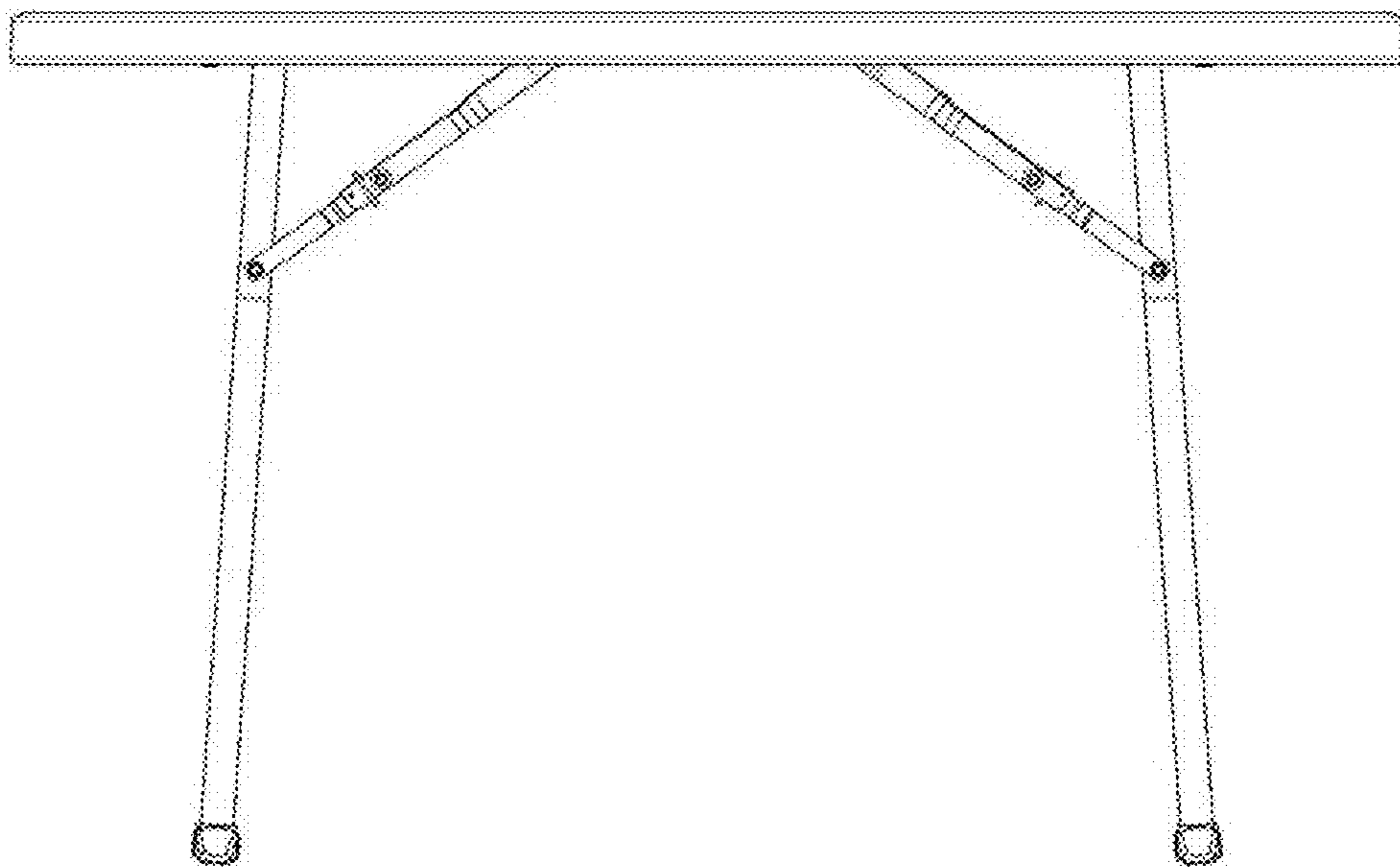


FIG 3

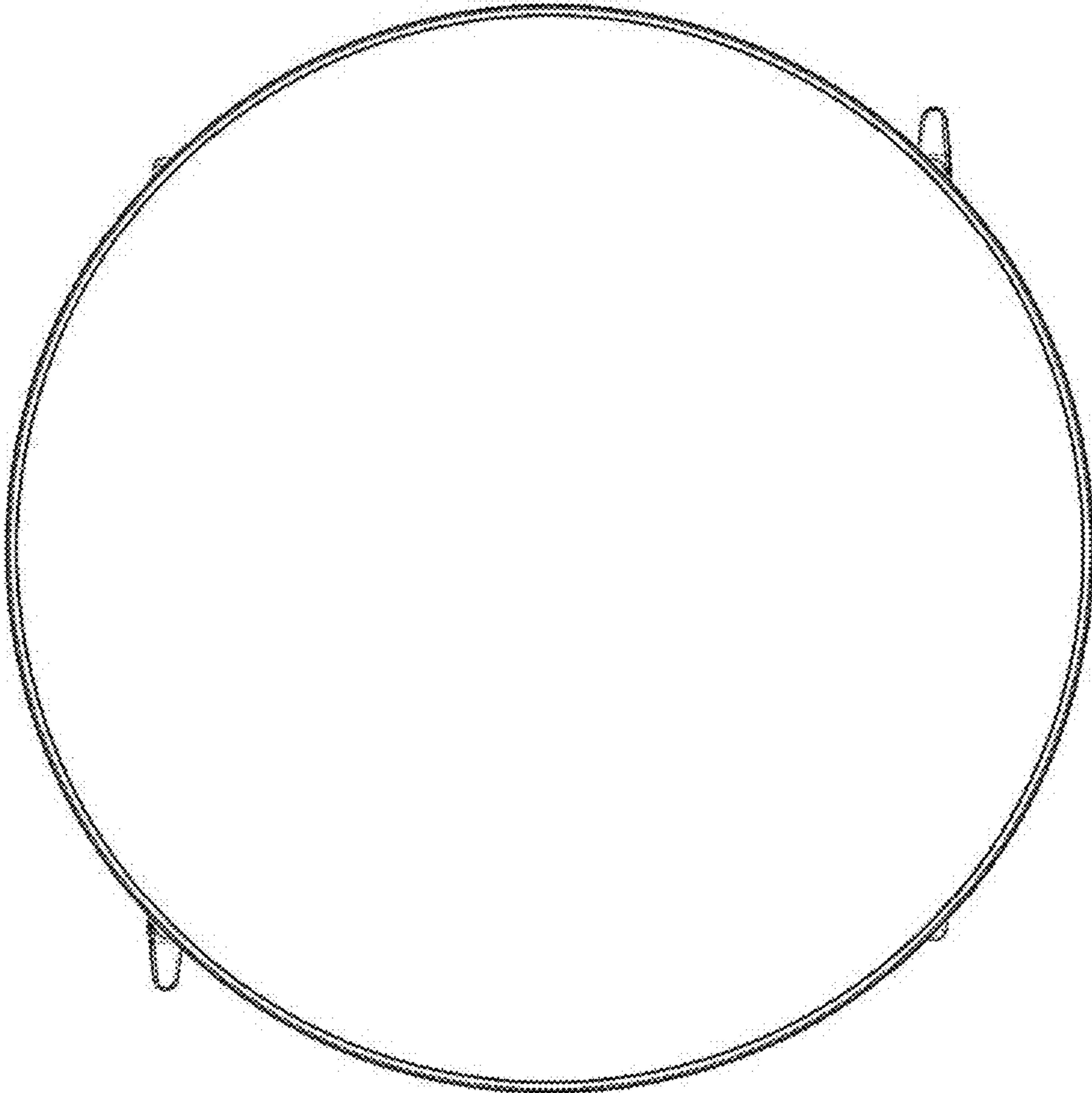


FIG 4

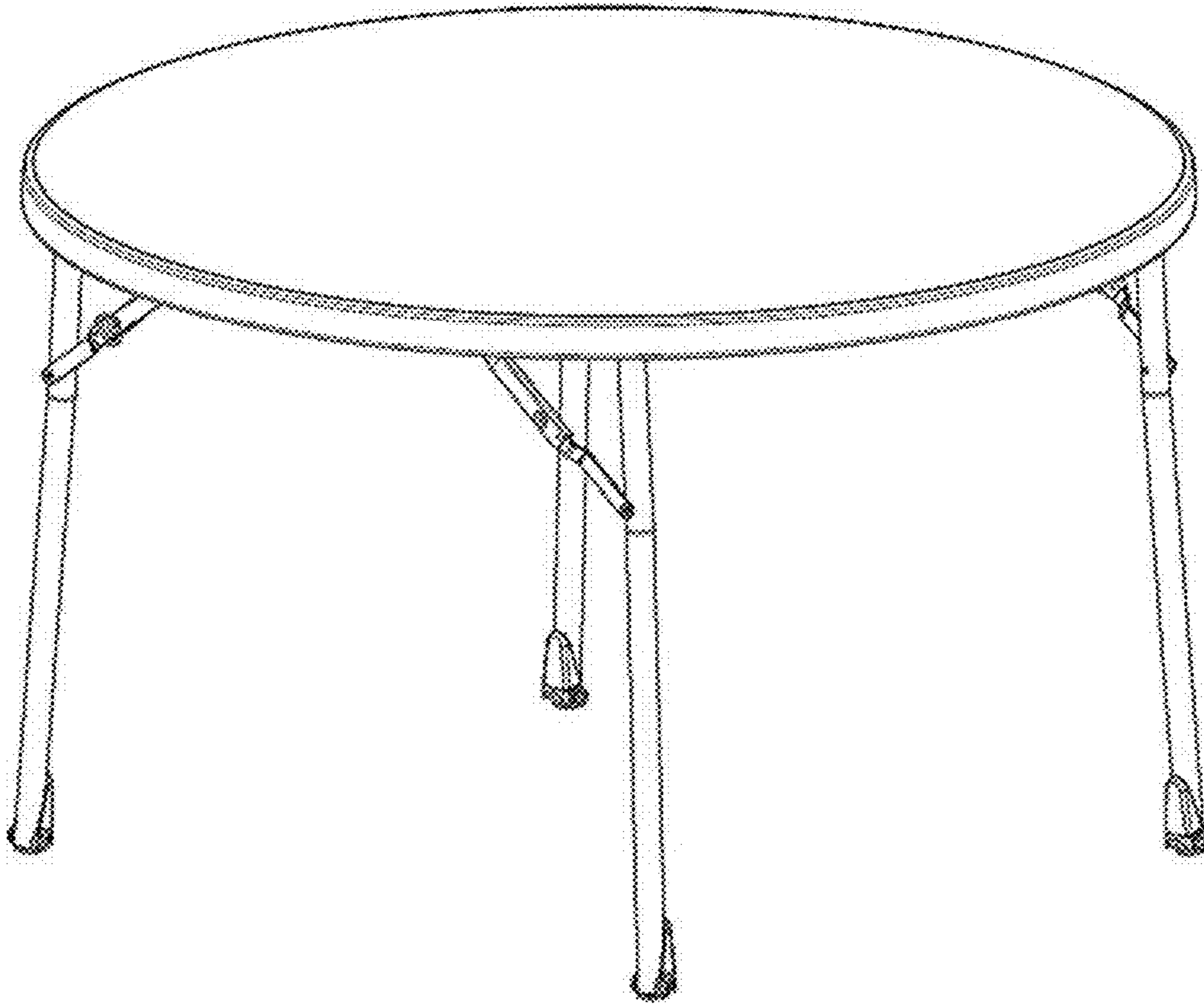


FIG 5

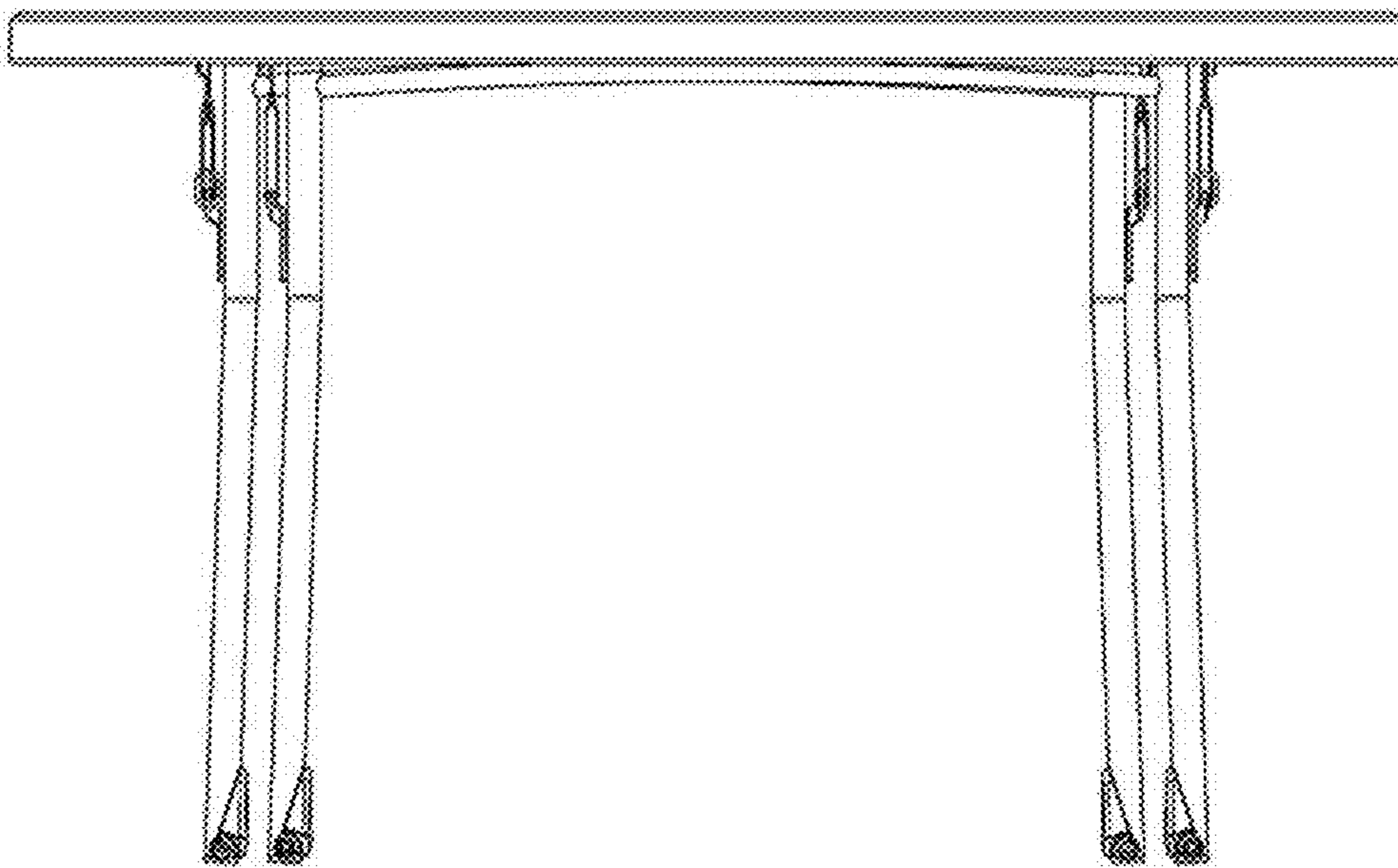


FIG 6

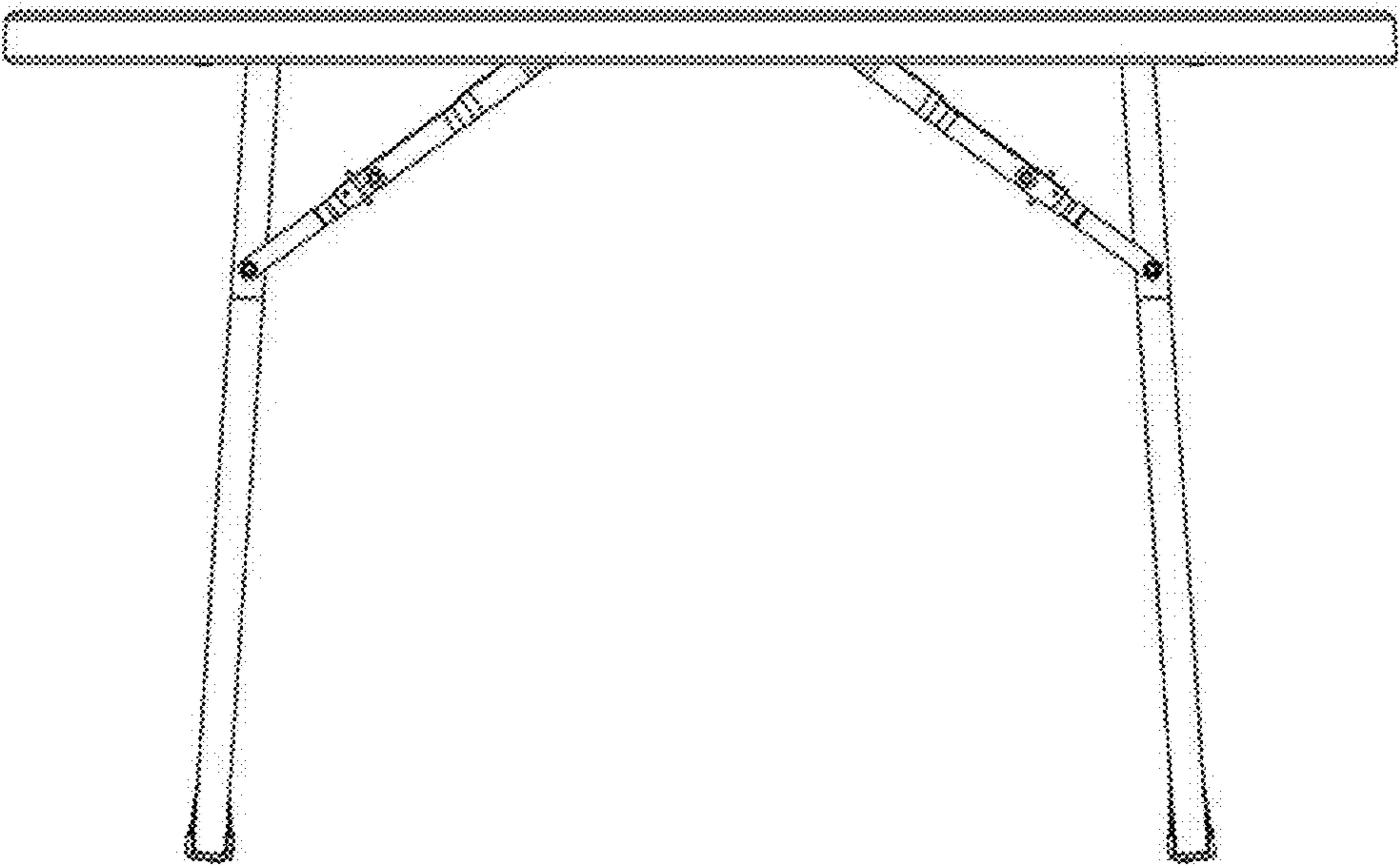


FIG 7

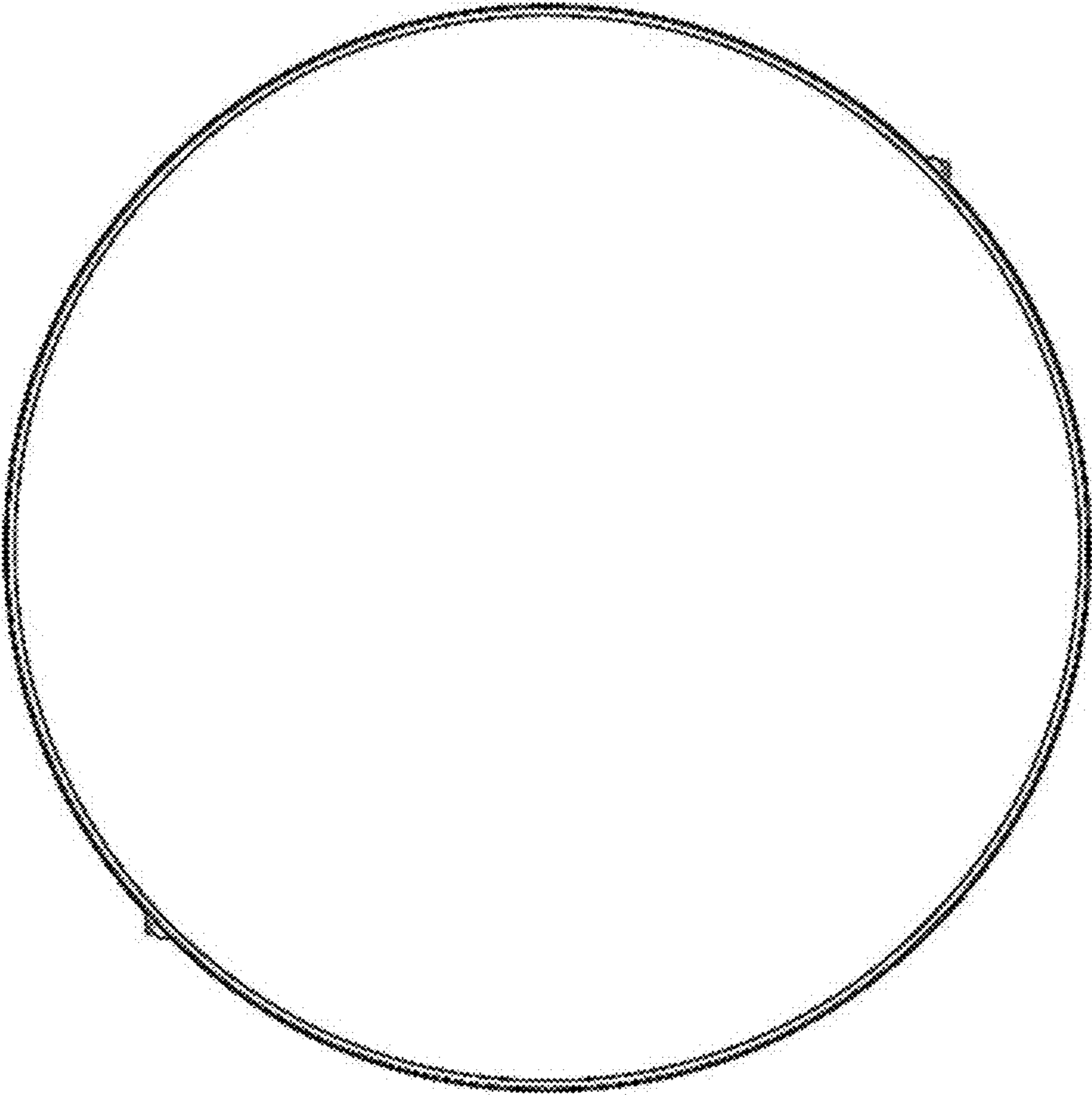


FIG 8