



US00D923983S

(12) **United States Design Patent** (10) **Patent No.:** **US D923,983 S**
Rashid (45) **Date of Patent:** **** Jul. 6, 2021**

(54) **TABLE** 8,671,484 B1 * 3/2014 Logiodice A47D 15/005
5/655
(71) Applicant: **Karim Rashid**, New York, NY (US) 9,066,598 B1 * 6/2015 Sears A47C 16/02
D758,100 S * 6/2016 Pham D6/601
(72) Inventor: **Karim Rashid**, New York, NY (US) D764,189 S * 8/2016 Edwards D6/349
D816,358 S * 5/2018 Levine D6/349
D823,479 S * 7/2018 Mollohan D24/215
(73) Assignee: **Norix Group, Inc.**, West Chicago, IL 2015/0327740 A1 * 11/2015 Edwards A47K 17/02
(US) 4/254

(**) Term: **15 Years**

OTHER PUBLICATIONS

(21) Appl. No.: **29/628,043**

TONIK Commercial Tables & Chairs Indoor Furniture Outdoor.
[online] Retrieved Nov. 6, 2018 from URL: <https://tonikworld.com/product/goby-coffee-table/>.*

(22) Filed: **Nov. 30, 2017**

* cited by examiner

(51) **LOC (13) Cl.** **06-03**

(52) **U.S. Cl.**

USPC **D6/691.3**; D6/349

(58) **Field of Classification Search**

USPC D6/334-338, 340-343, 349-353, 355,
D6/358, 364-365, 597, 691-691.9,
D6/692-692.6, 716-716.1

CPC A47B 7/00-02; A47C 11/00; A47C 12/00;
A47C 13/00; A47C 16/00; A47C 16/02;
A47C 16/04; A47C 9/00-105; A47K
17/02; A47K 17/028

See application file for complete search history.

Primary Examiner — Vy N Koenig

(74) *Attorney, Agent, or Firm* — James D Palmatier;
Applied Patent Services, PC

(57) **CLAIM**

I claim the ornamental design for a table, as shown and described.

DESCRIPTION

FIG. 1 is a top plan view of a new table design;
FIG. 2 is a front elevation view thereof;
FIG. 3 is a bottom plan view thereof;
FIG. 4 is a back elevation view thereof;
FIG. 5 is a left side elevation view thereof;
FIG. 6 is a right side elevation view thereof;
FIG. 7 is a top perspective view thereof; and,
FIG. 8 is a bottom perspective thereof.
The broken line portion of the figure drawings is included to show portions of the article that forms no part of the claimed design.

(56) **References Cited**

U.S. PATENT DOCUMENTS

D268,796 S * 5/1983 Kola D6/349
D276,669 S * 12/1984 Petersson D6/335
5,154,649 A * 10/1992 Pender A47D 13/083
5/490
D513,368 S * 1/2006 Nardi D6/361
D542,071 S * 5/2007 Chan D6/601
D609,930 S * 2/2010 Young-il D6/355
D651,770 S * 1/2012 Seliskar D30/160
D663,538 S * 7/2012 Urwin D21/412
D688,053 S * 8/2013 Chiu D6/361

1 Claim, 2 Drawing Sheets

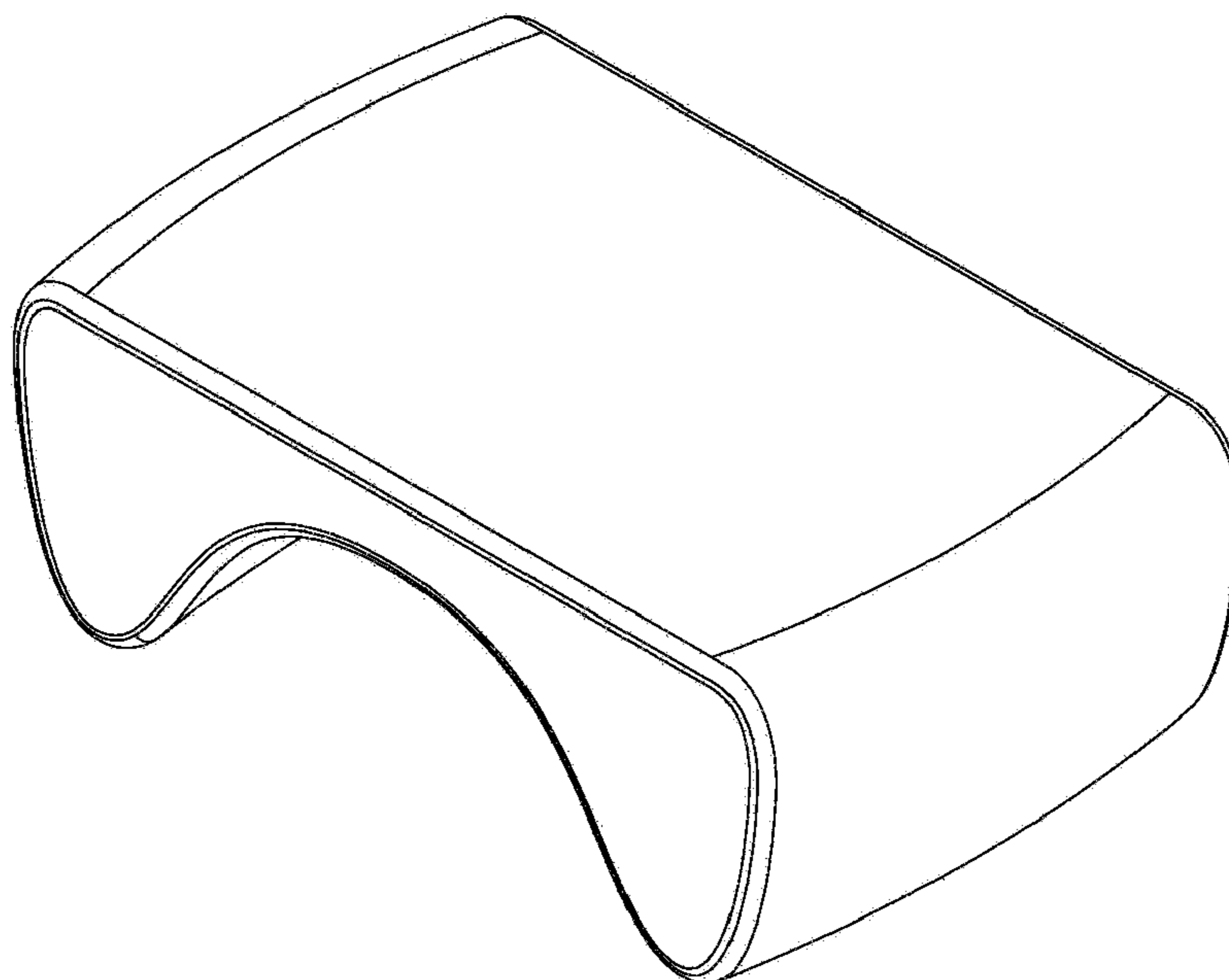




FIG. 1

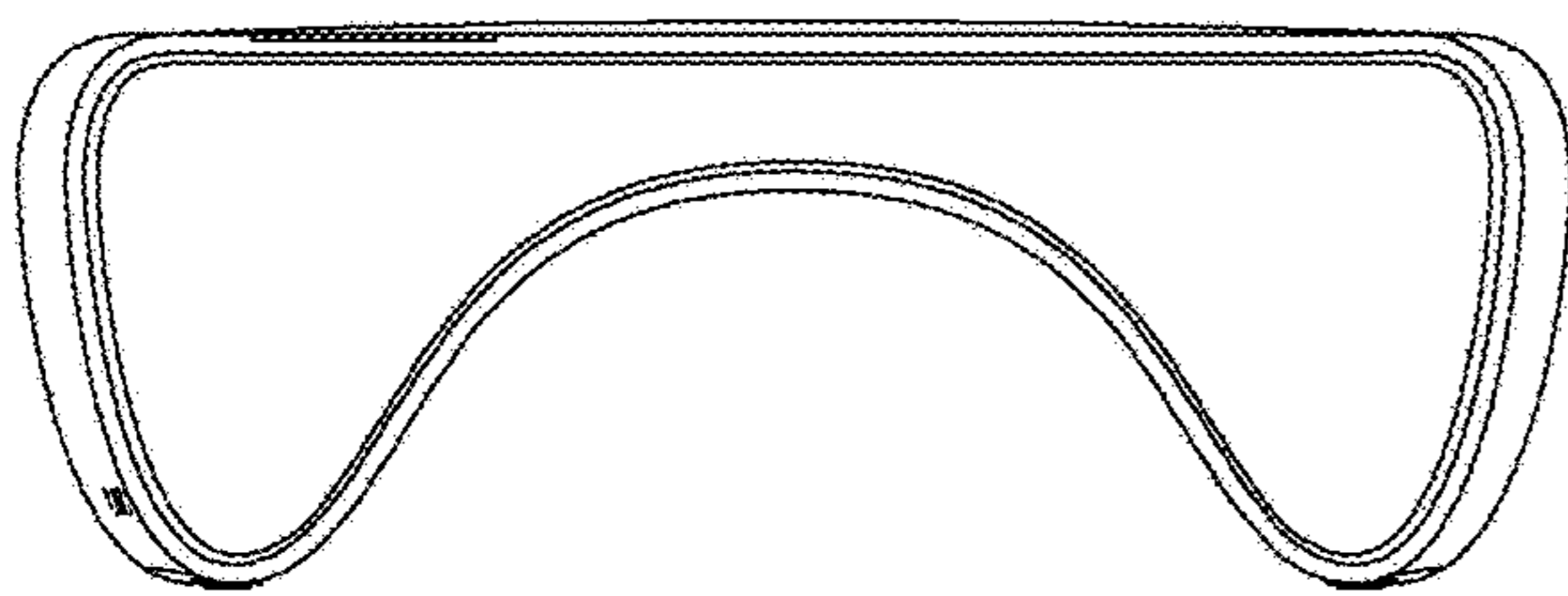


FIG. 2

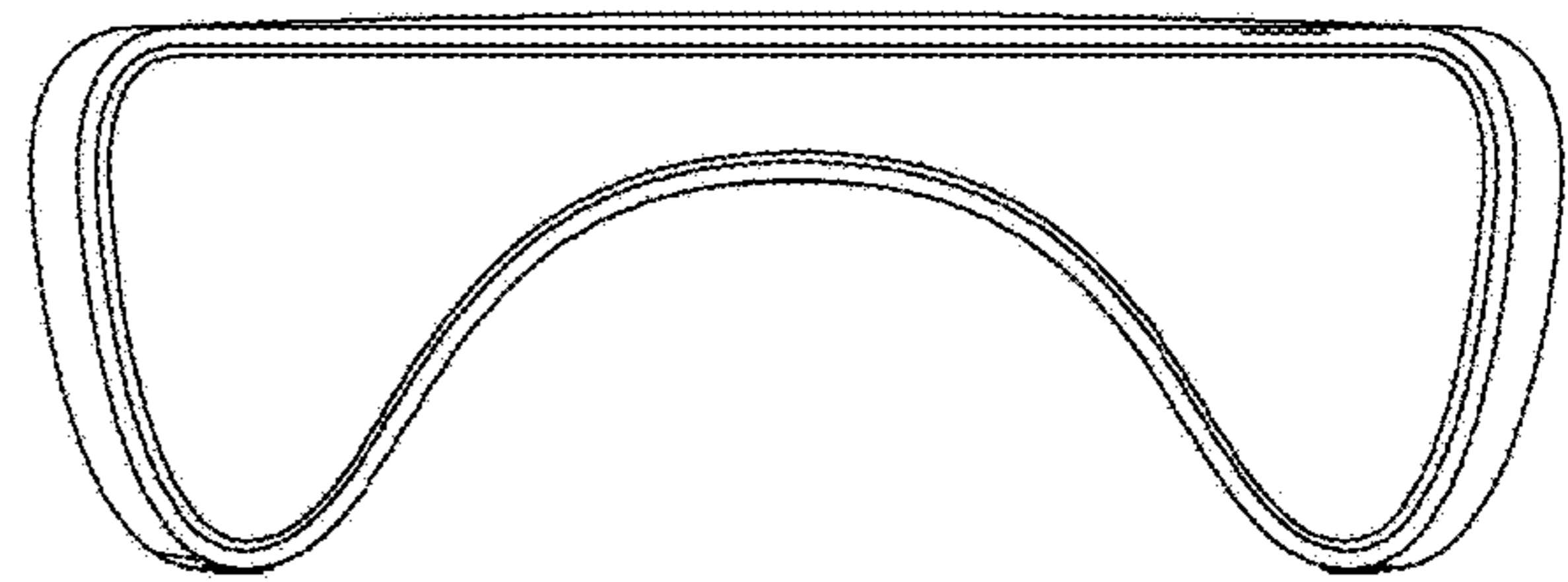


FIG. 4

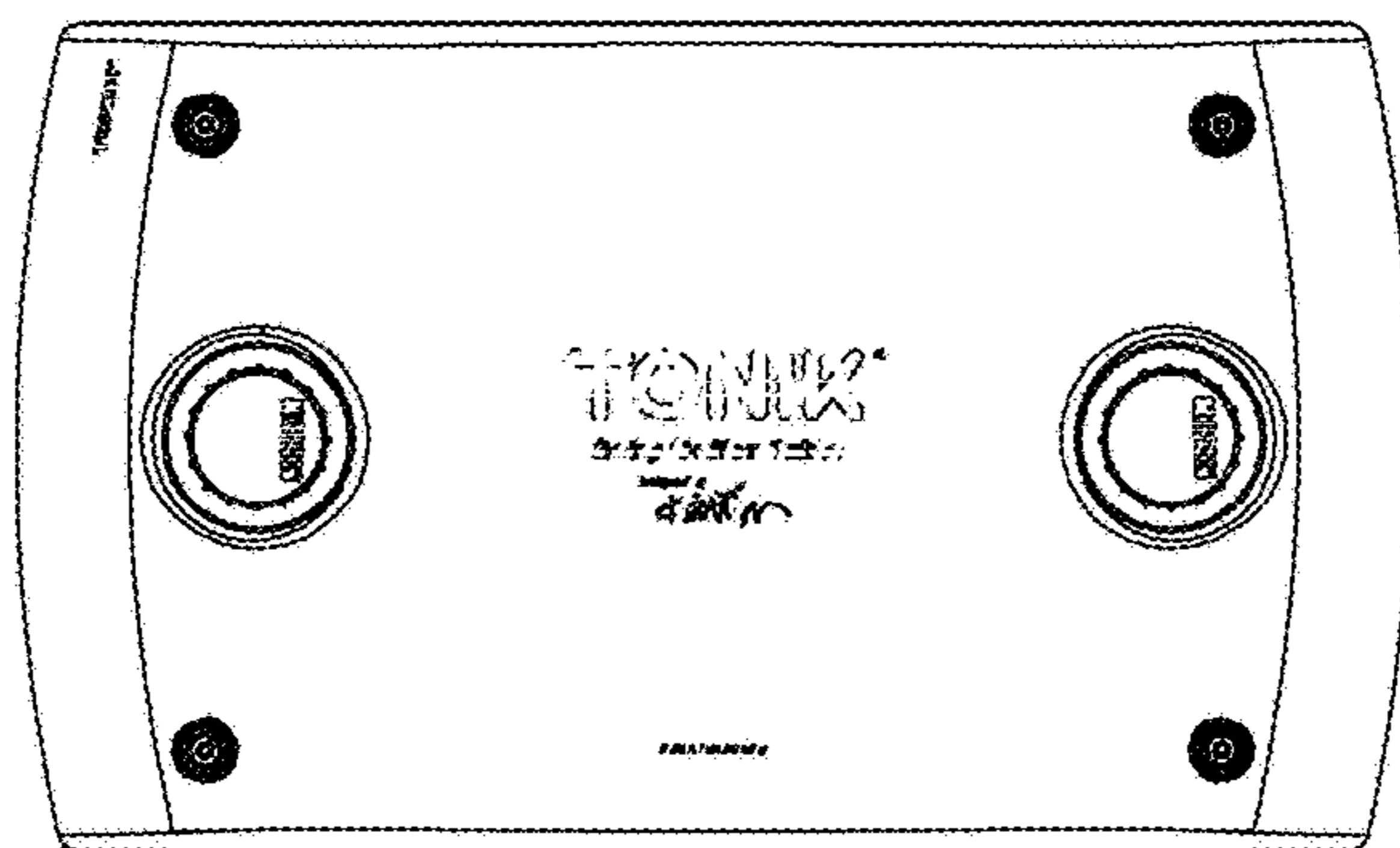


FIG. 3

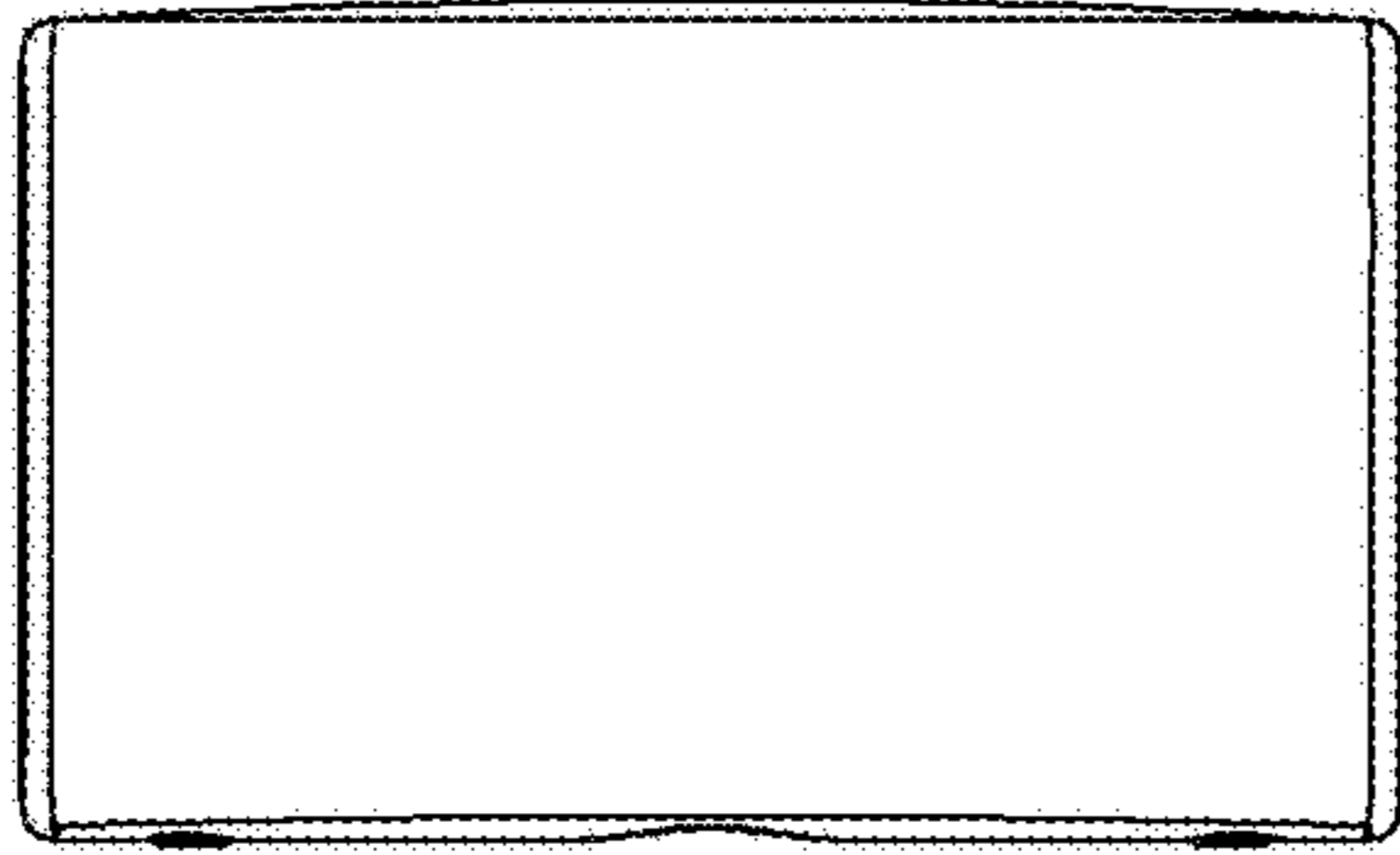


FIG. 5

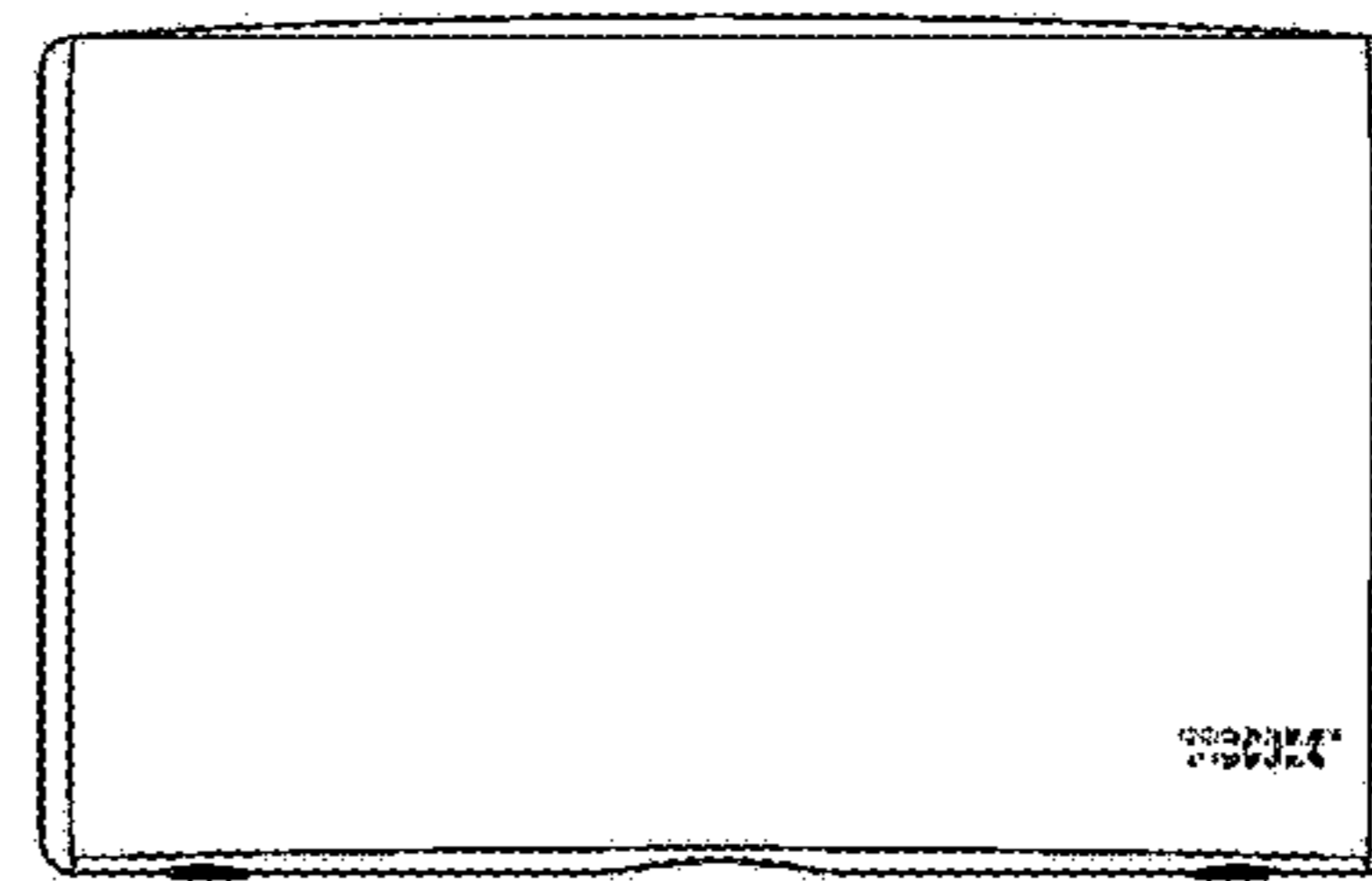


FIG. 6

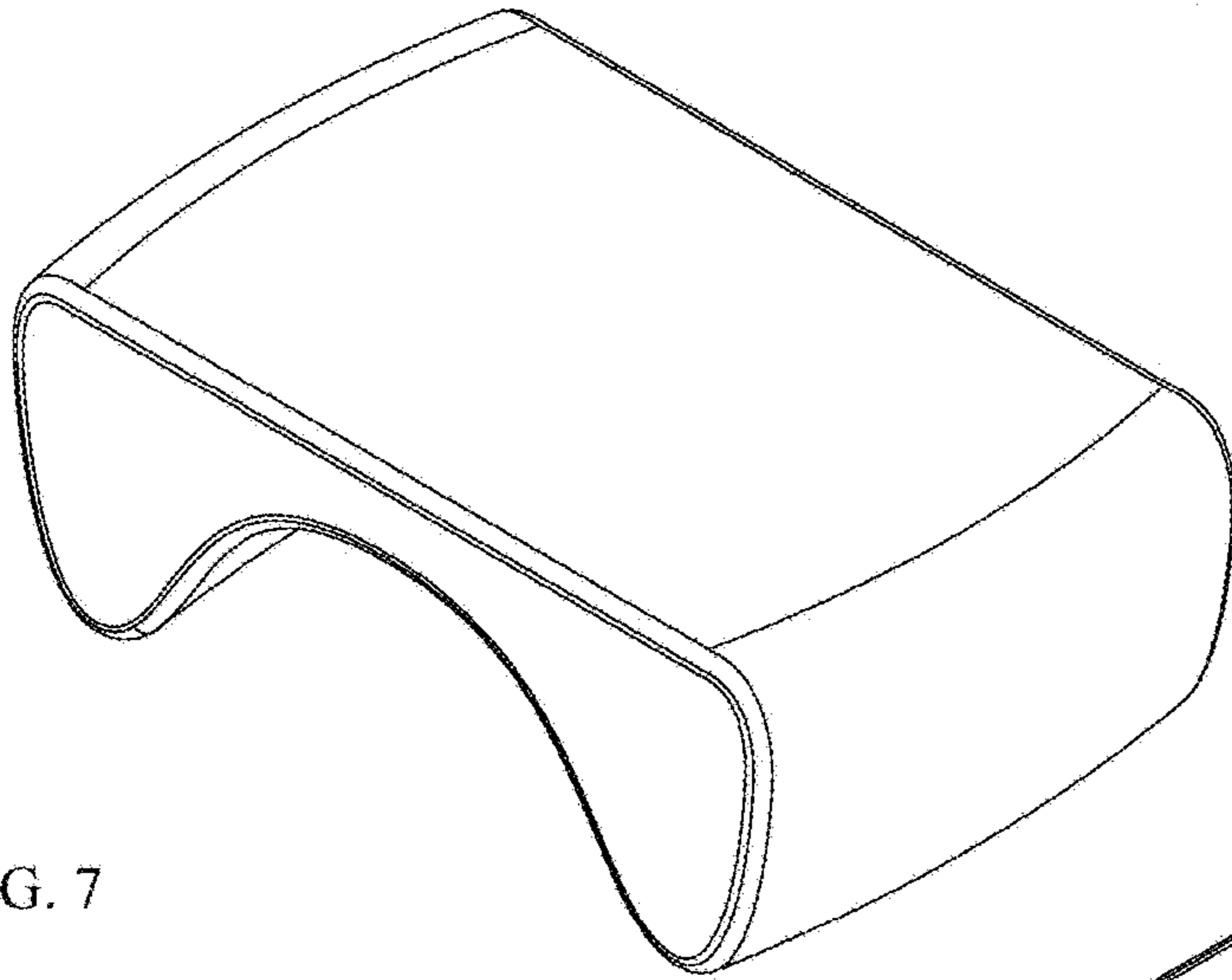


FIG. 7

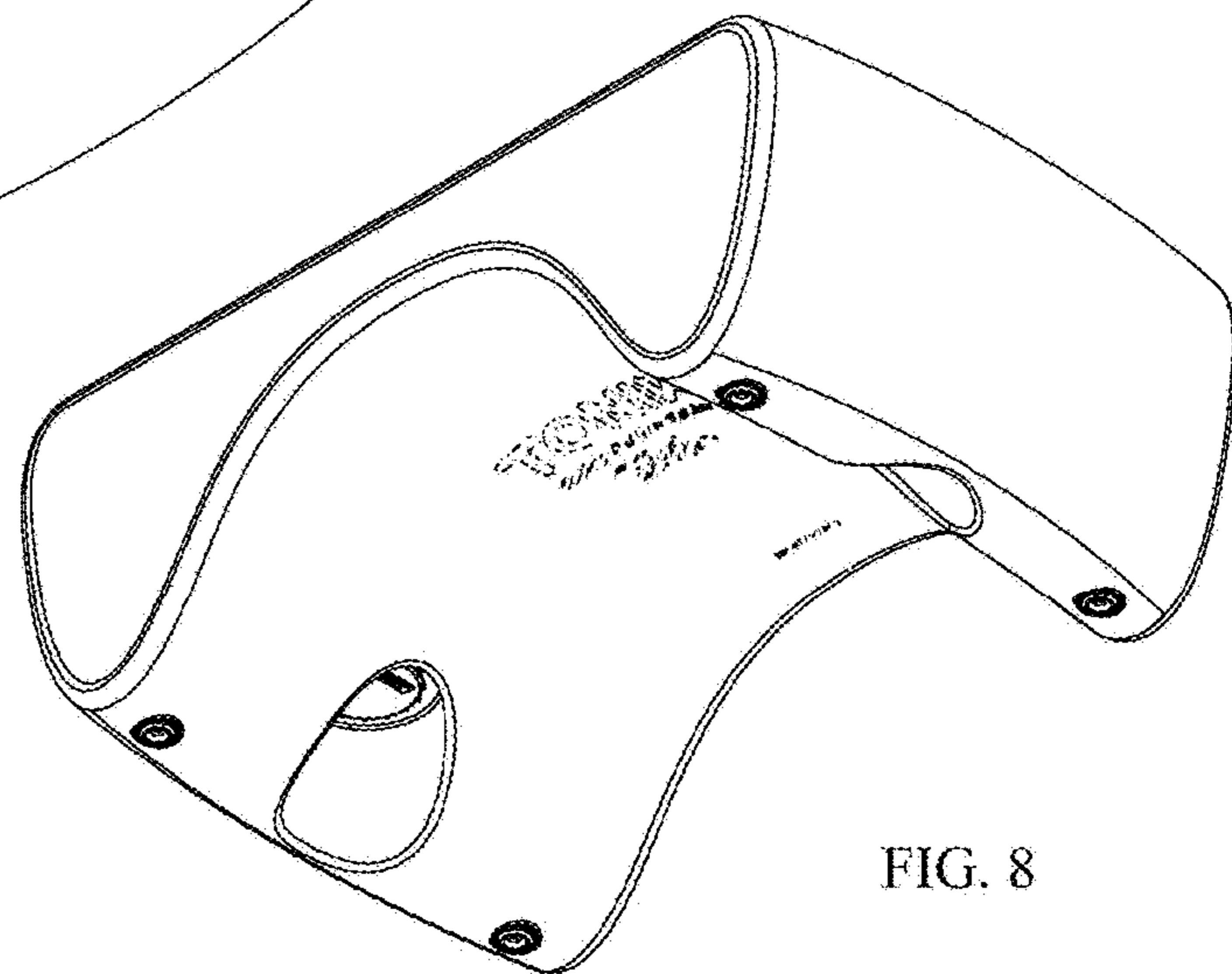


FIG. 8