



US00D923978S

(12) **United States Design Patent** (10) **Patent No.:** **US D923,978 S**
Reister (45) **Date of Patent:** **** Jul. 6, 2021**

(54) **COMBINED DRESSER VALET AND CHARGING STATION**

(71) Applicant: **The Modern Gentleman, Inc.**, Plano, TX (US)

(72) Inventor: **Richard James Reister**, Plano, TX (US)

(73) Assignee: **THE MODERN GENTLEMAN, INC.**, Plano, TX (US)

(**) Term: **15 Years**

(21) Appl. No.: **29/743,058**

(22) Filed: **Jul. 17, 2020**

(51) **LOC (13) Cl.** **13-02**

(52) **U.S. Cl.**
USPC **D6/662; D13/108**

(58) **Field of Classification Search**
USPC D13/103, 107–110, 118–119, 184, 199; D14/251, 253, 432, 434; D6/662, 662.1, D6/667, 663, 671; D3/295–297
CPC .. H02J 50/00; H02J 50/10; H02J 50/12; H02J 50/80; H02J 7/025; H02J 7/005; H02J 7/0026; H02J 7/0042; H02J 7/0044; H02J 7/0045; H02J 7/0013; H02J 7/0003; H02J 50/402; A47F 3/043; A47F 3/063; A47F 7/03; A47B 88/969; A45C 11/16
See application file for complete search history.

(56) **References Cited**

U.S. PATENT DOCUMENTS

2,564,122	A *	8/1951	Mele	A45C 11/16 312/204
2,697,537	A	12/1954	Wetherell		
2,738,250	A	3/1956	Mele et al.		
2,755,154	A *	7/1956	Mele	A45C 11/16 312/274
5,692,605	A *	12/1997	Lai	A45C 11/16 206/566

(Continued)

OTHER PUBLICATIONS

“Homde Dresser Valet Organizer”, on amazon.com, First available Sep. 11, 2019. Retrieved from the internet on May 7, 2021. <https://www.amazon.com/Homde-Organizer-Smartphone-Sunglasses-Accessories/dp/B07XQZTVZ4/ref=sr_1_2?dchild=1&keywords=dresser+valet&qid=1620437679&sr=8-2> (Year: 2019).*

(Continued)

Primary Examiner — Rosemary K Tarcza

(74) *Attorney, Agent, or Firm* — Slater Matsil, LLP

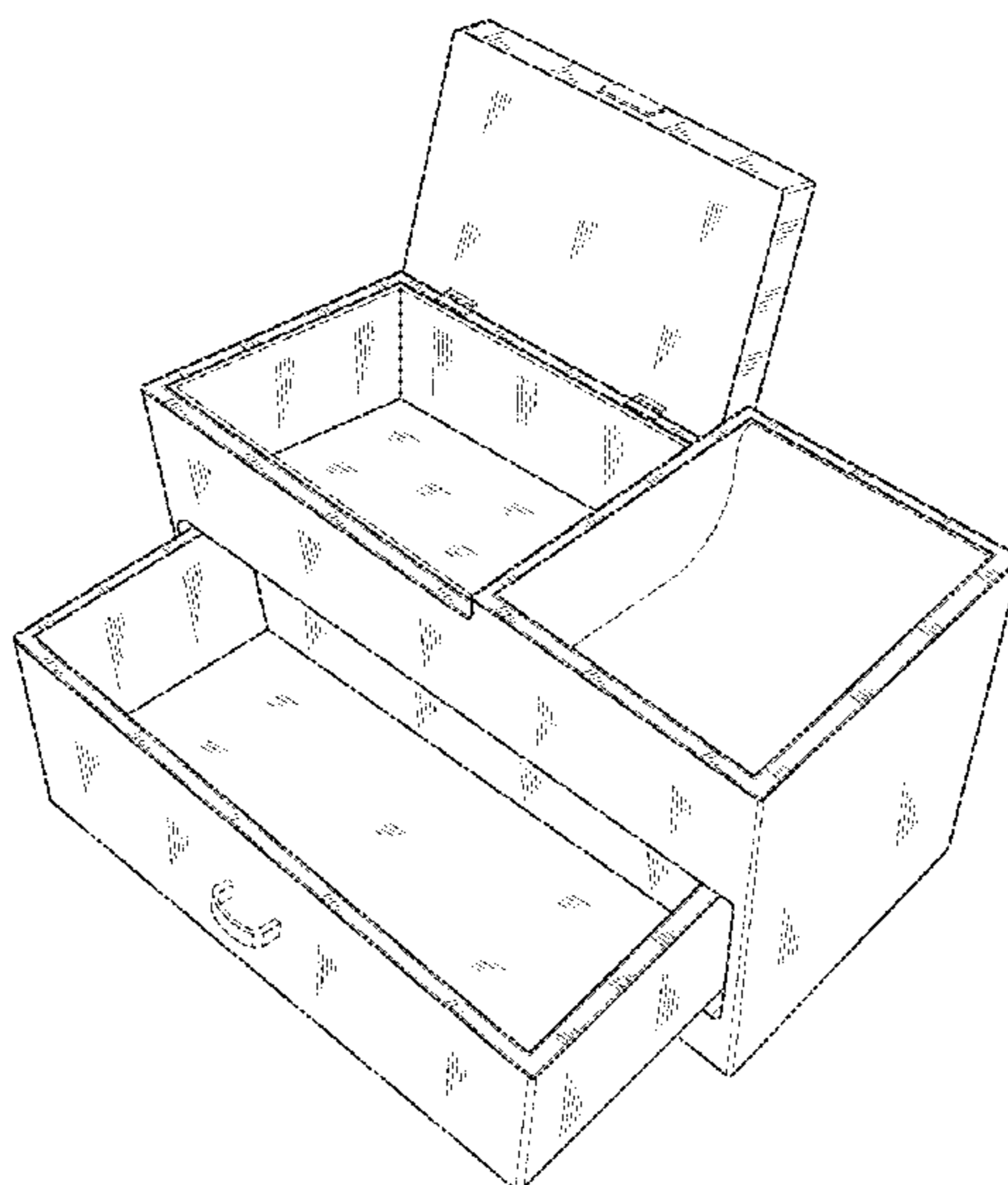
(57) **CLAIM**

The ornamental design for a combined dresser valet and charging station, as shown and described.

DESCRIPTION

FIG. 1 is a perspective view of a combined dresser valet and charging station showing the new design in an open position; FIG. 2 is a perspective view, closed position of the combined dresser valet and charging station of FIG. 1; FIG. 3 is a front perspective view, open position of the combined dresser valet and charging station of FIG. 1; FIG. 4 is a front perspective, closed position of the combined dresser valet and charging station of FIG. 1; FIG. 5 is a right side elevational view, open position of the combined dresser valet and charging station of FIG. 1; FIG. 6 is a top plan view, open position of the combined dresser valet and charging station of FIG. 1; FIG. 7 is a back side elevational view, closed position of the combined dresser valet and charging station of FIG. 1; FIG. 8 is a bottom plan view, closed position of the combined dresser valet and charging station of FIG. 1; and, FIG. 9 is a left side elevational view, open position of the combined dresser valet and charging station of FIG. 1. The broken-line disclosure of elements is understood to represent portions of the article in which the design is embodied, but which form no part of the claimed design. The present disclosure also covers the mirror image of the design as illustrated in the Figures.

1 Claim, 8 Drawing Sheets



(56)

References Cited

U.S. PATENT DOCUMENTS

D396,004	S		7/1998	Srinual	
D417,783	S	*	12/1999	Wolf	D3/275
6,045,202	A	*	4/2000	Simon	A45C 11/16
					312/107
D475,197	S	*	6/2003	Stoddard	D3/284
D485,067	S	*	1/2004	Wolf	D3/291
D485,682	S	*	1/2004	Wolf	D3/291
D587,495	S	*	3/2009	Levinger	D3/295
D676,259	S		2/2013	Lu	
D757,434	S	*	5/2016	Beilman	D3/284
D805,815	S	*	12/2017	Leonorovitz	D6/667
D835,436	S	*	12/2018	Reister	D6/662
D878,113	S	*	3/2020	Leonorovitz	D6/667

OTHER PUBLICATIONS

“Mele & Co. Davin Men’s Wooden Dresser Top Valet in Dark Burlwood Walnut Finish”, on amazon.com, Retrieved from the internet on May 7, 2021. <https://www.amazon.com/Mele-Co-Wooden-Dresser-Burlwood/dp/B0041O8ZLU/ref=sr_1_43?dchild=1&keywords=dresser+valet&qid=1620439933&sr=8-43> (Year: 2021).*

Amazon, “Lifomenz Co Men Accessories Organizer Catchall Tray with Removable Charging Station Organizer, Mens Jewelry Box Organizer with Drawer, Mens Valet Tray Nightstand Dresser Organizer”, <https://www.amazon.com/dp/B07P7HPFVP>, printed Oct. 29, 2019, 1 page.

* cited by examiner

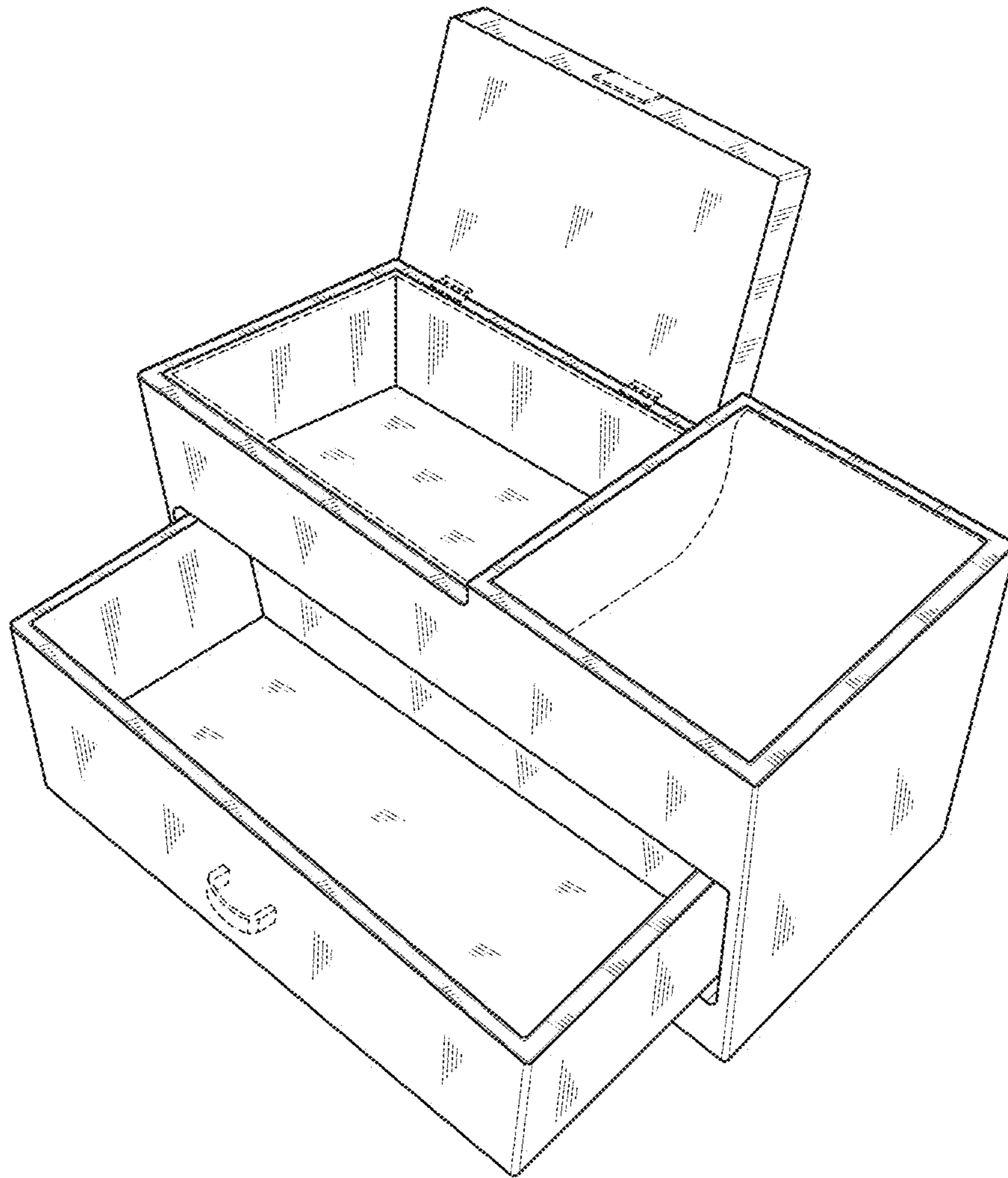


FIG. 1

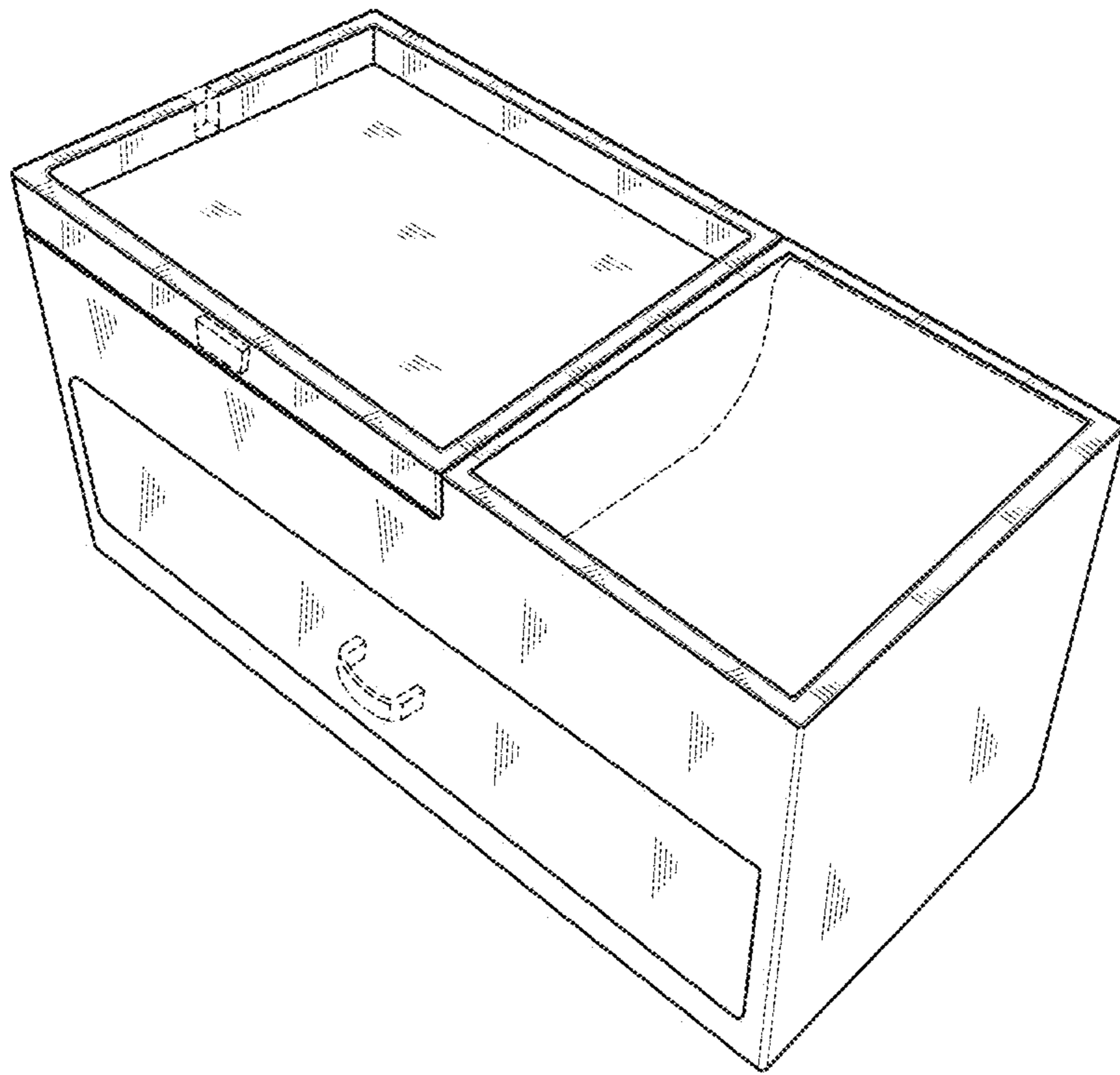


FIG. 2

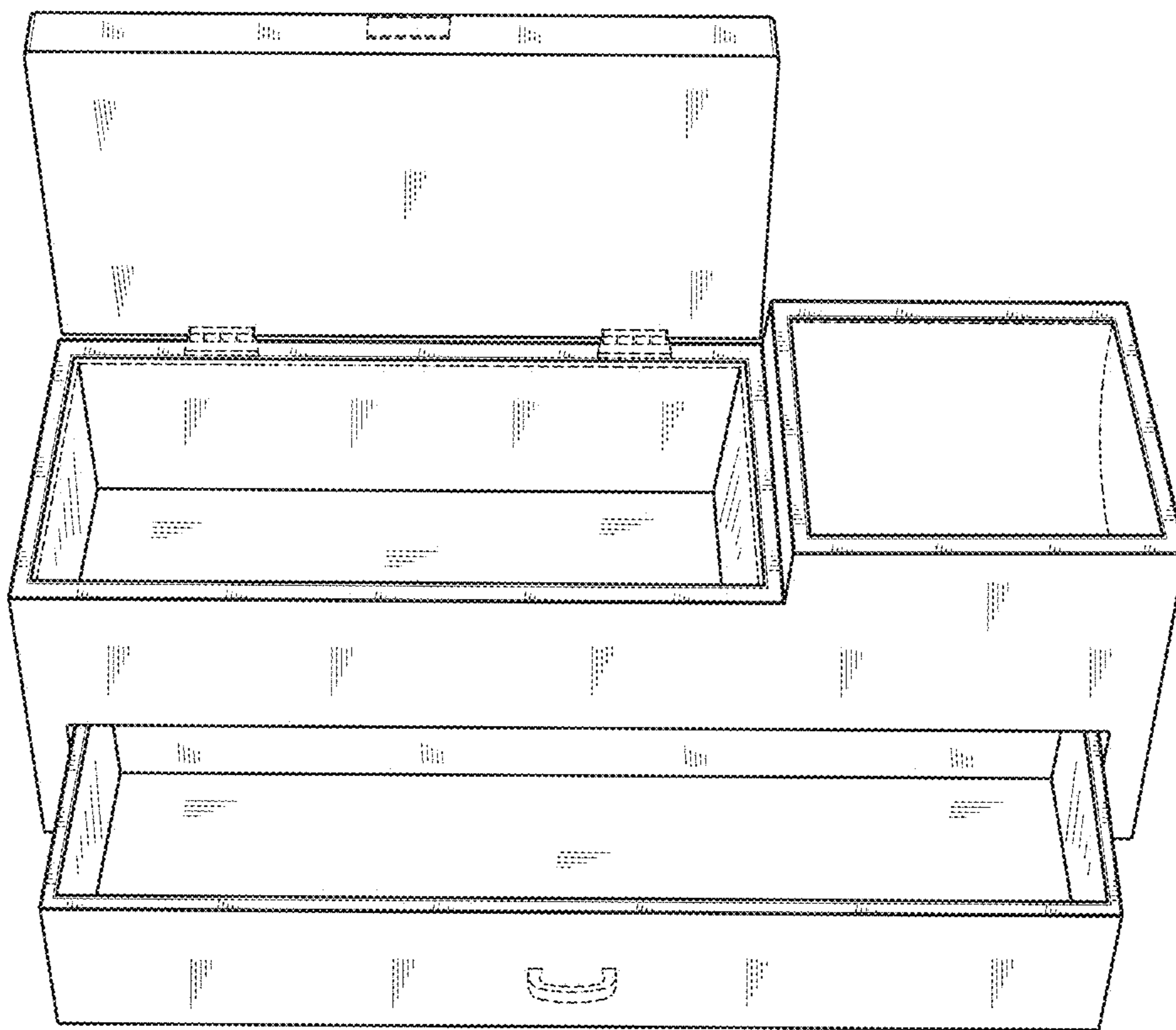


FIG. 3

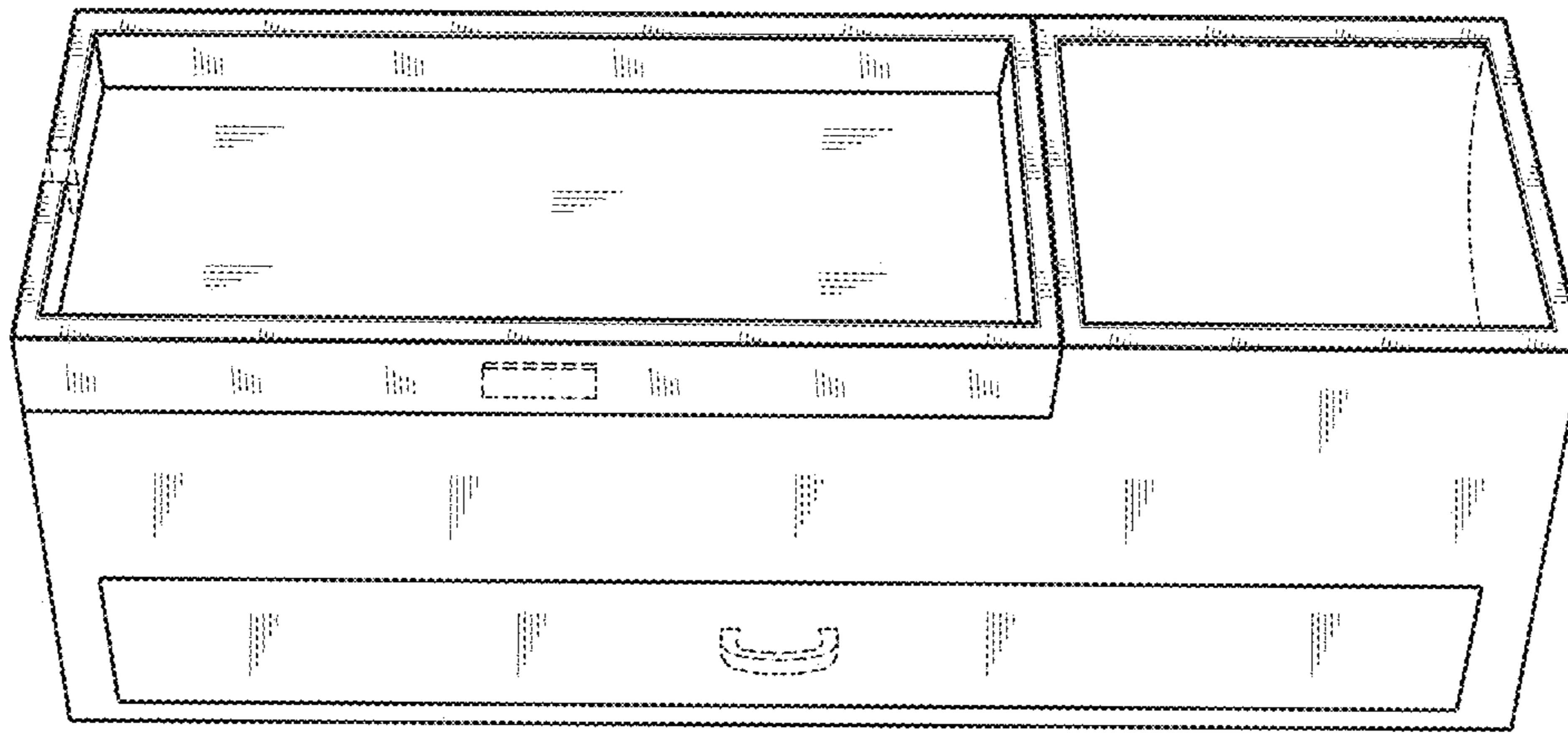


FIG. 4

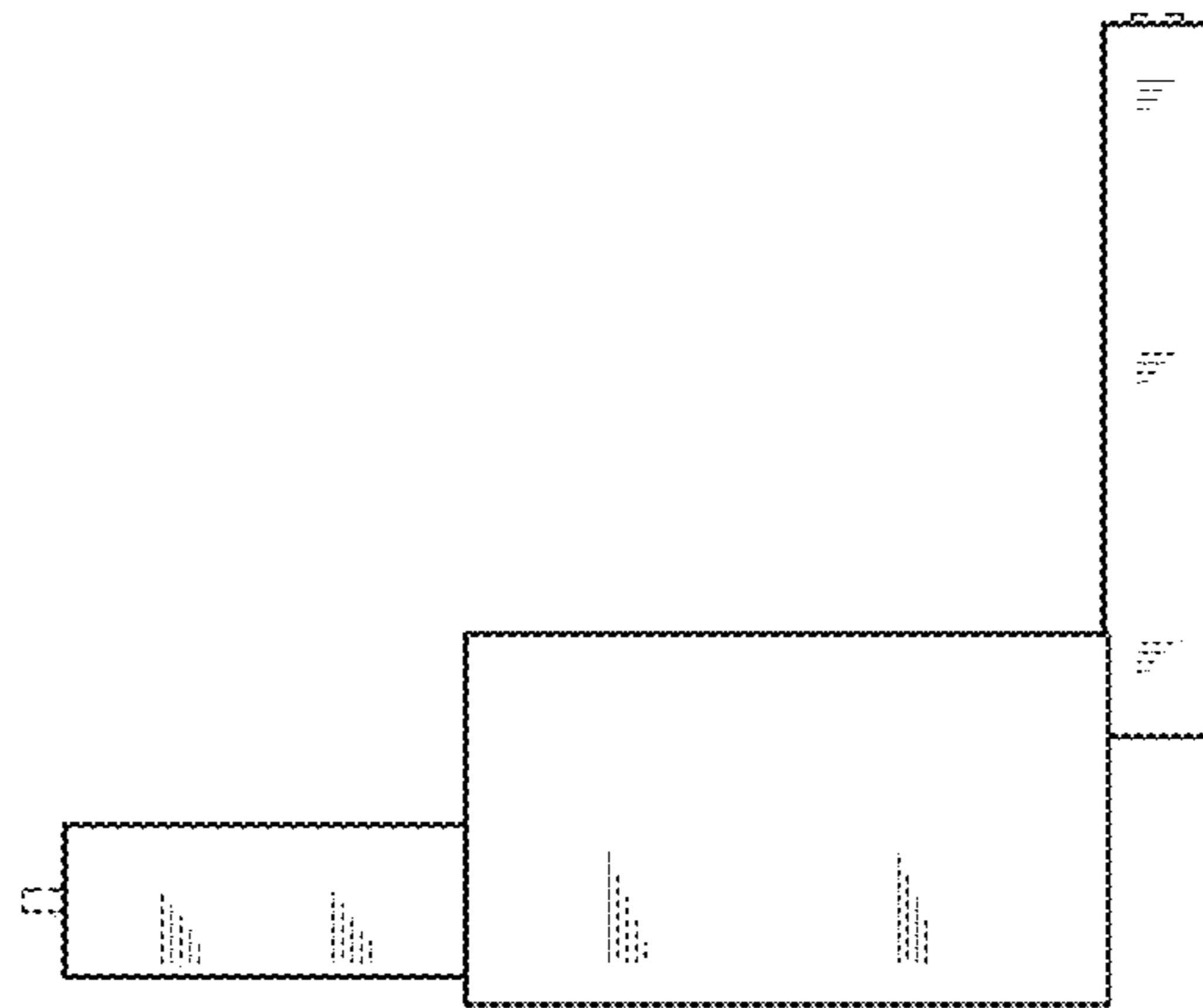


FIG. 5

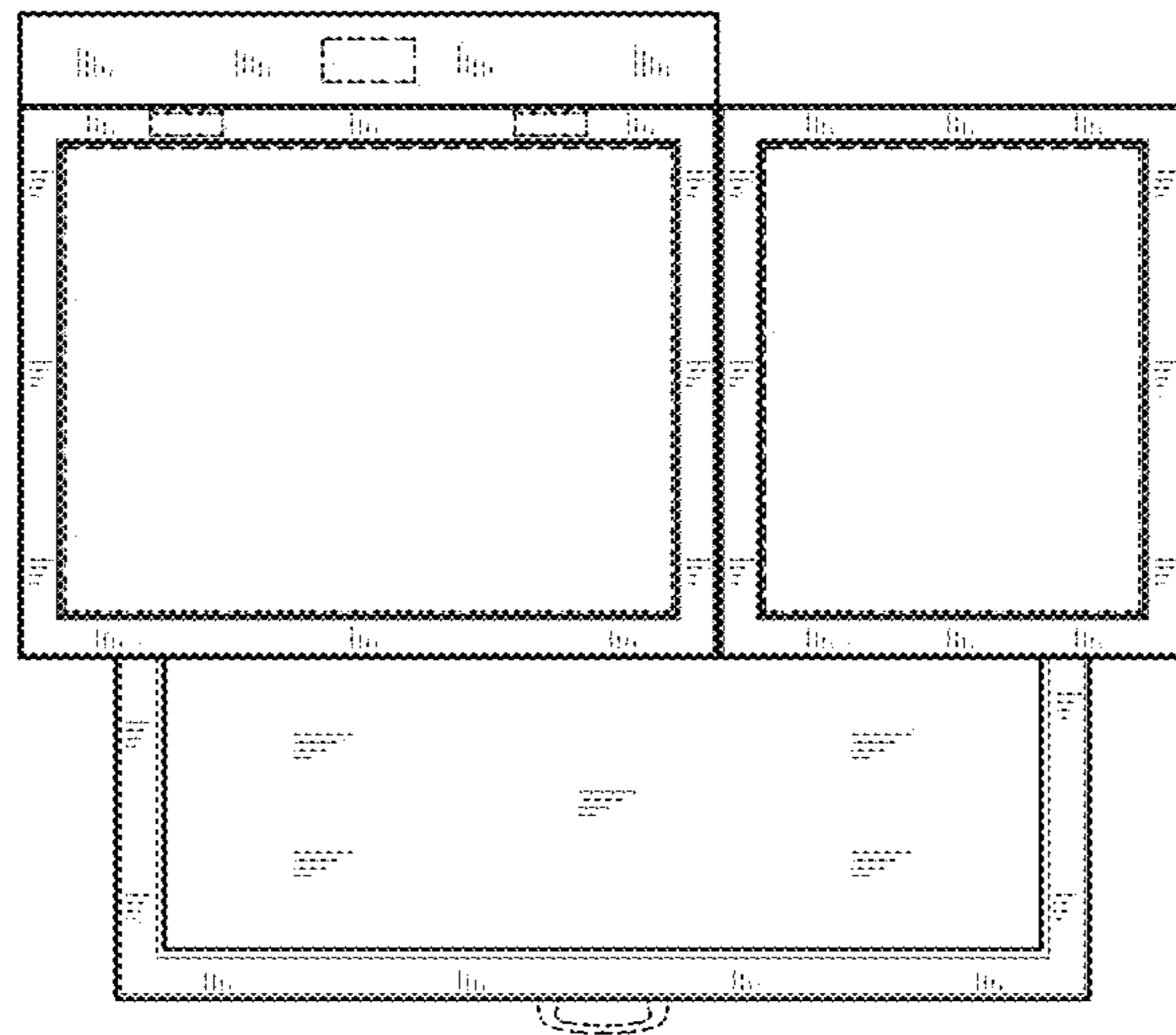


FIG. 6

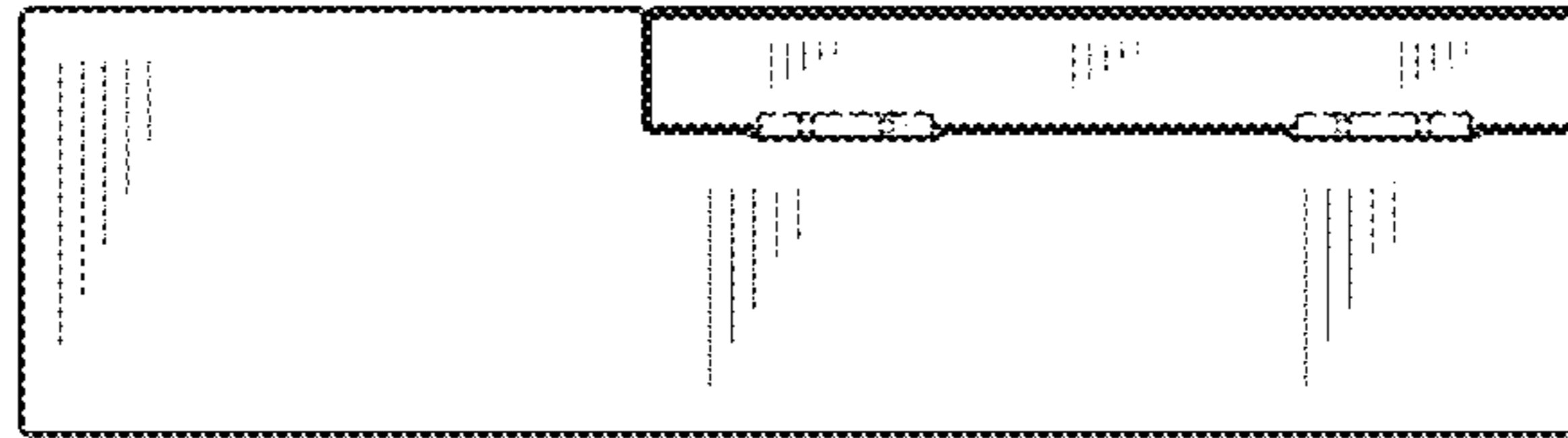


FIG. 7

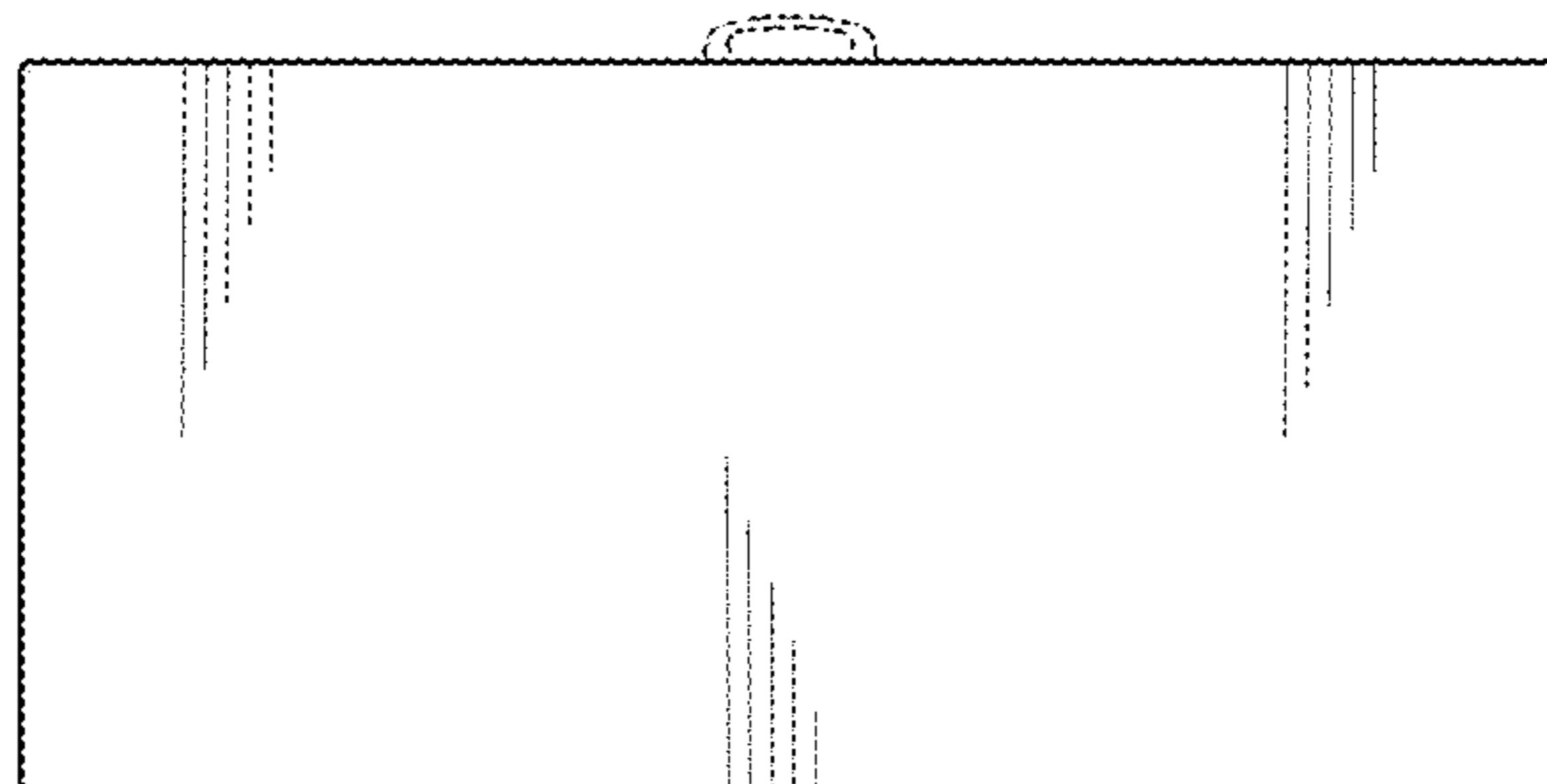


FIG. 8

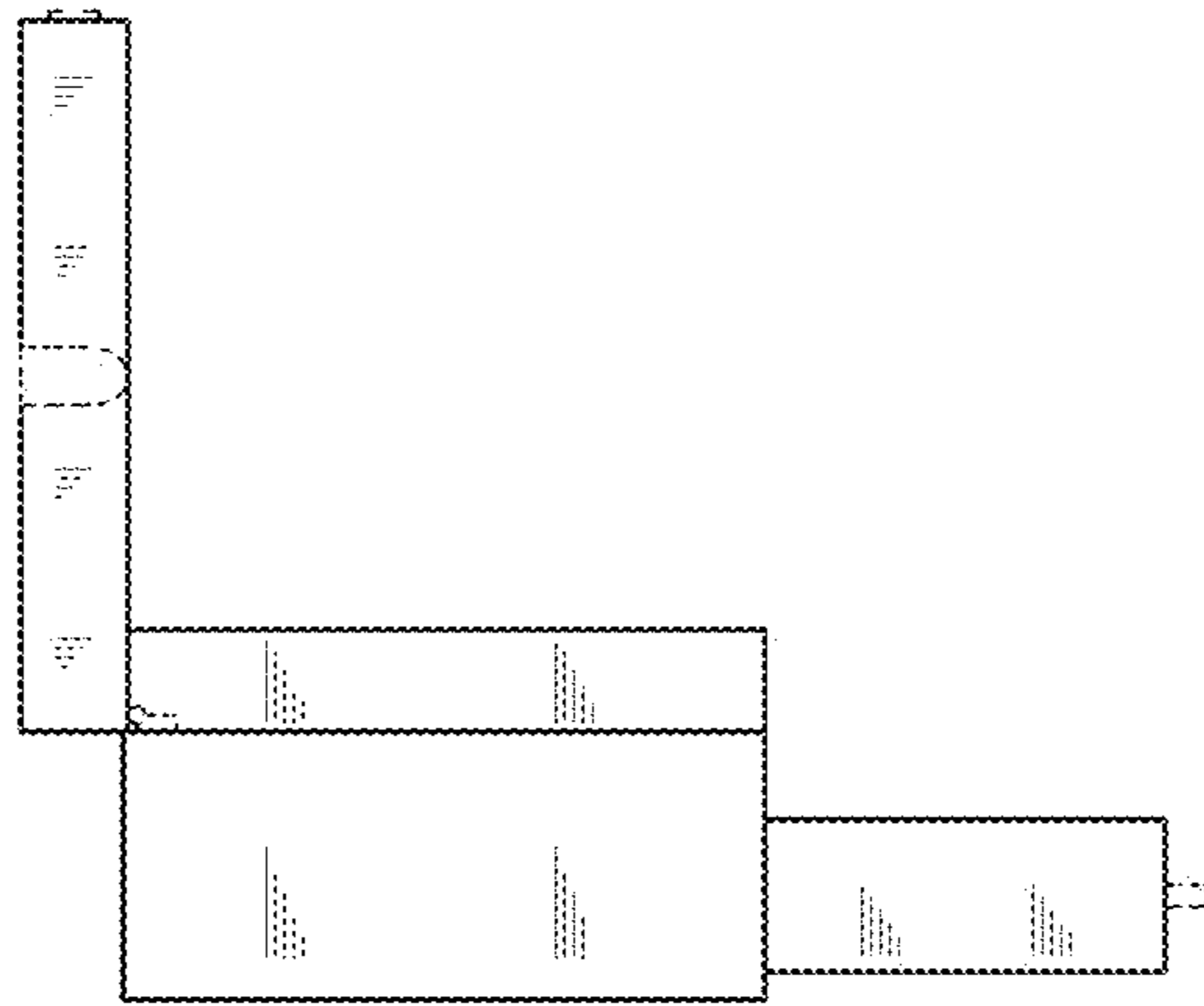


FIG. 9