



US00D923976S

(12) **United States Design Patent**
Li

(10) **Patent No.:** **US D923,976 S**

(45) **Date of Patent:** **** Jul. 6, 2021**

(54) **BEDSIDE TABLE**

(71) Applicant: **SHENZHEN KHD TECHNOLOGY CO., LTD**, Shenzhen (CN)

(72) Inventor: **Kai Li**, Shenzhen (CN)

(73) Assignee: **SHENZHEN KHD TECHNOLOGY CO., LTD**, Shenzhen (CN)

(**) Term: **15 Years**

(21) Appl. No.: **29/767,575**

(22) Filed: **Jan. 23, 2021**

(51) **LOC (13) Cl.** **06-04**

(52) **U.S. Cl.**
USPC **D6/657**

(58) **Field of Classification Search**
USPC D6/657, 663, 671, 671.1, 671.2, 671.3, D6/671.4, 675.1, 705.6; D3/297
CPC A47B 17/04; A47B 47/03; A47B 47/05; A47B 67/00; A47B 67/04; A47B 63/00
See application file for complete search history.

(56) **References Cited**

U.S. PATENT DOCUMENTS

D283,182 S * 4/1986 Marshall D6/657
D353,955 S 1/1995 Stewart

D403,887 S * 1/1999 Hutton D6/657
D485,450 S * 1/2004 Smith D6/657
D569,127 S * 5/2008 Kanthasamy D6/657
D716,076 S * 10/2014 Bogdan D6/657
D805,799 S 12/2017 Khalili
D904,084 S * 12/2020 Davis 6/675.1

* cited by examiner

Primary Examiner — Mimososa De

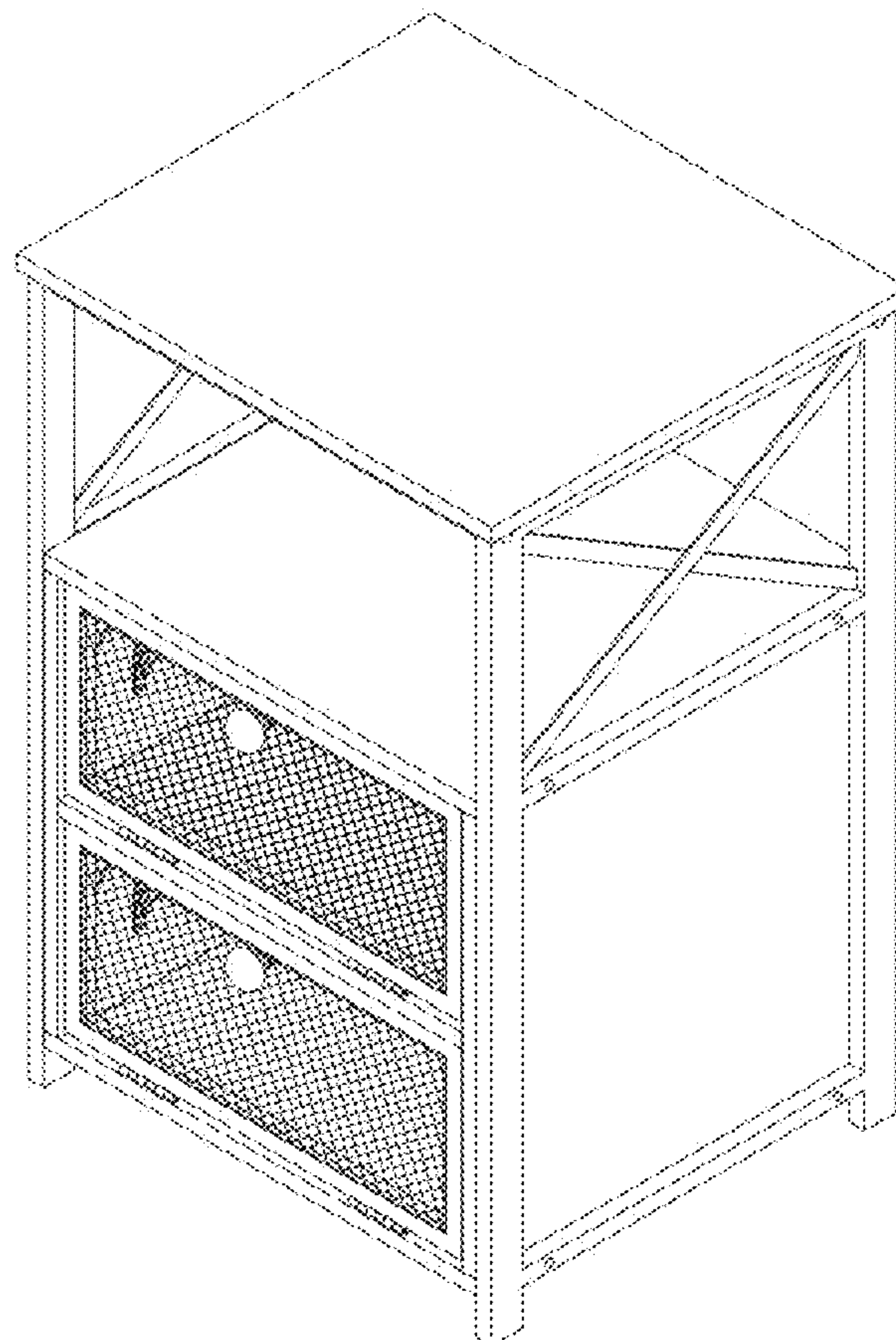
(57) **CLAIM**

The ornamental design for a bedside table, as shown and described.

DESCRIPTION

FIG. 1 is a perspective view of a bedside table showing my/our new design;
FIG. 2 is an alternative perspective view thereof;
FIG. 3 is a front view thereof;
FIG. 4 is a back view thereof;
FIG. 5 is a left side view thereof;
FIG. 6 is a right side view thereof;
FIG. 7 is a top view thereof; and,
FIG. 8 is a bottom view thereof.

1 Claim, 8 Drawing Sheets



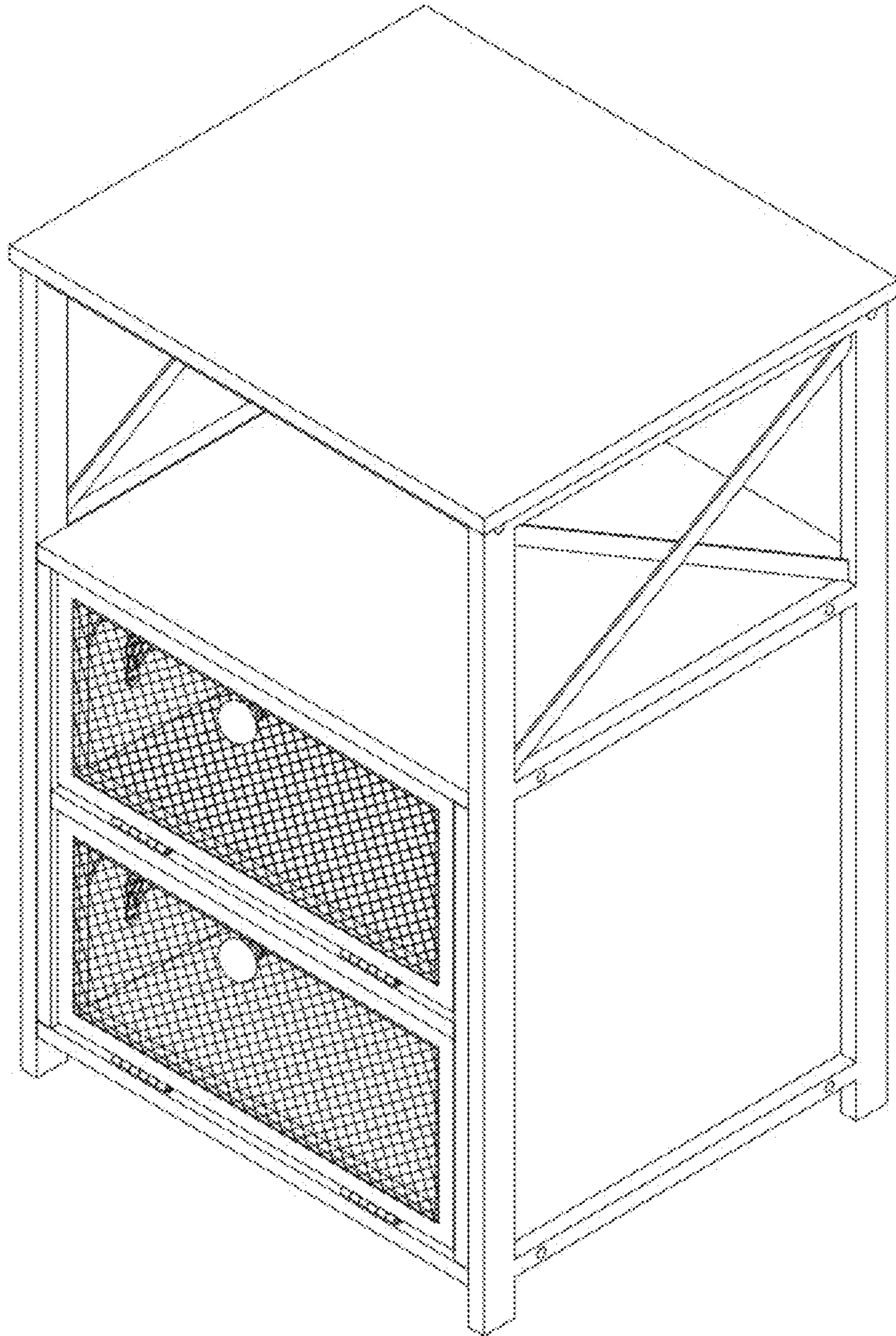


FIG. 1

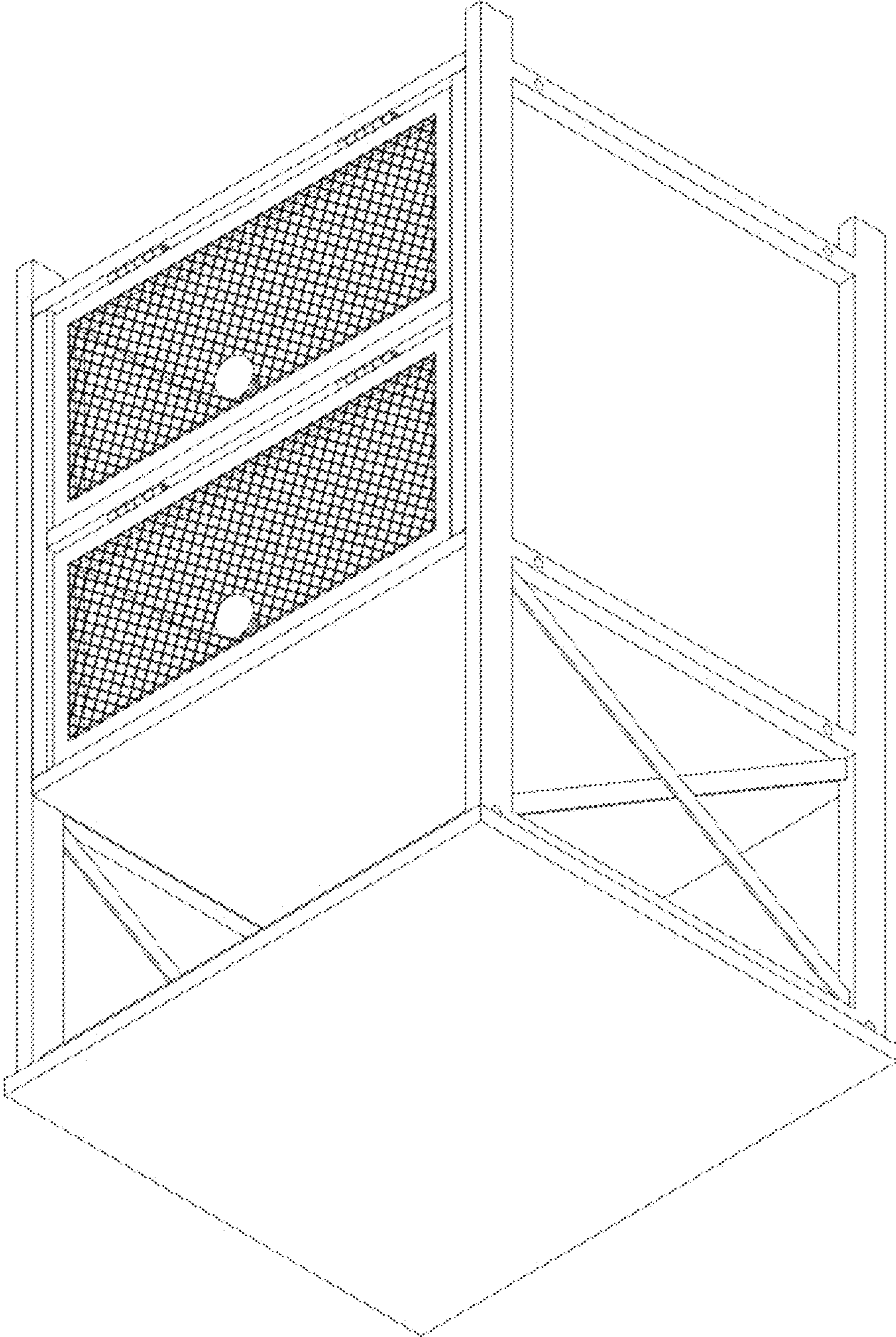


FIG. 2

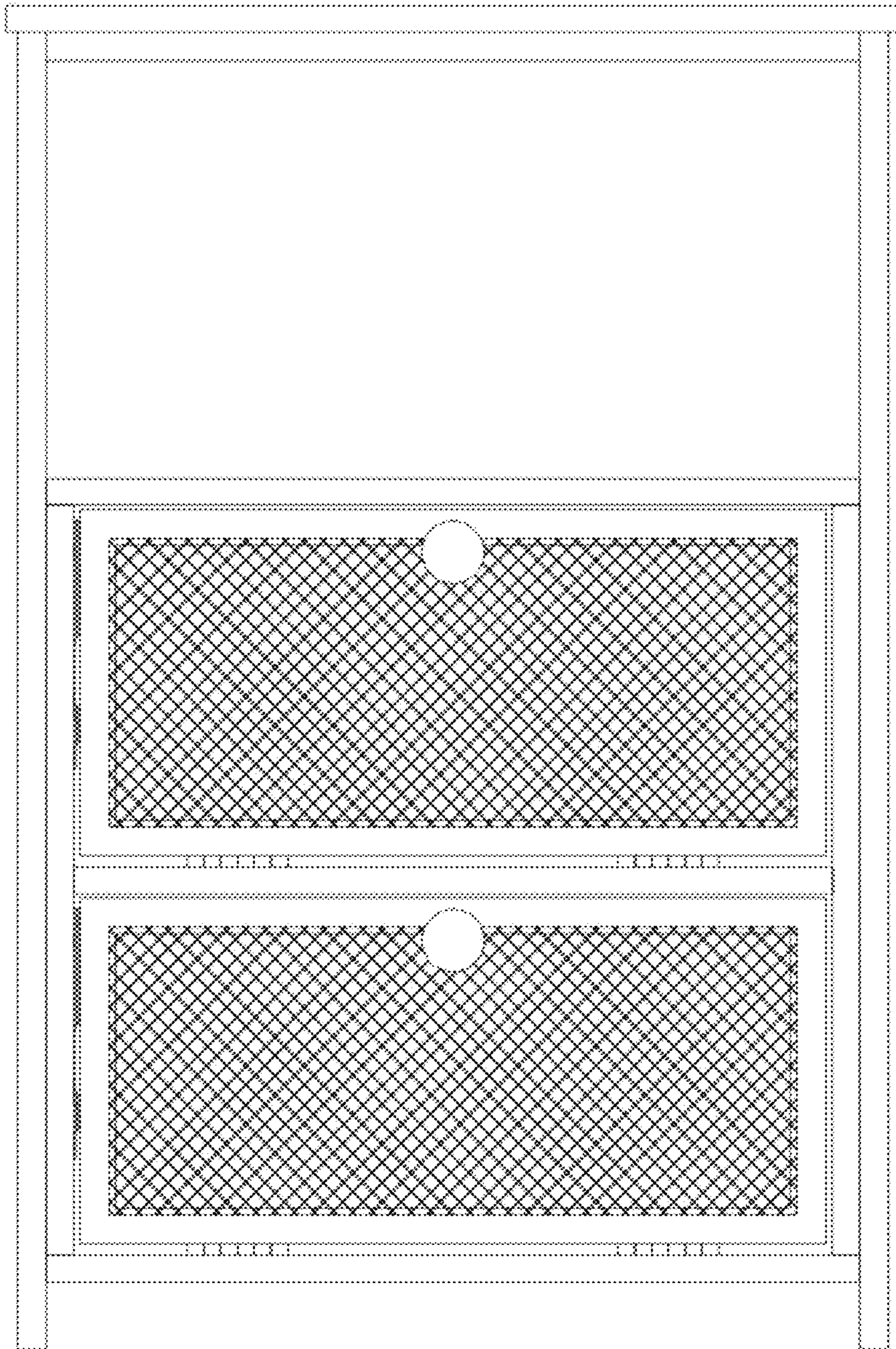


FIG. 3

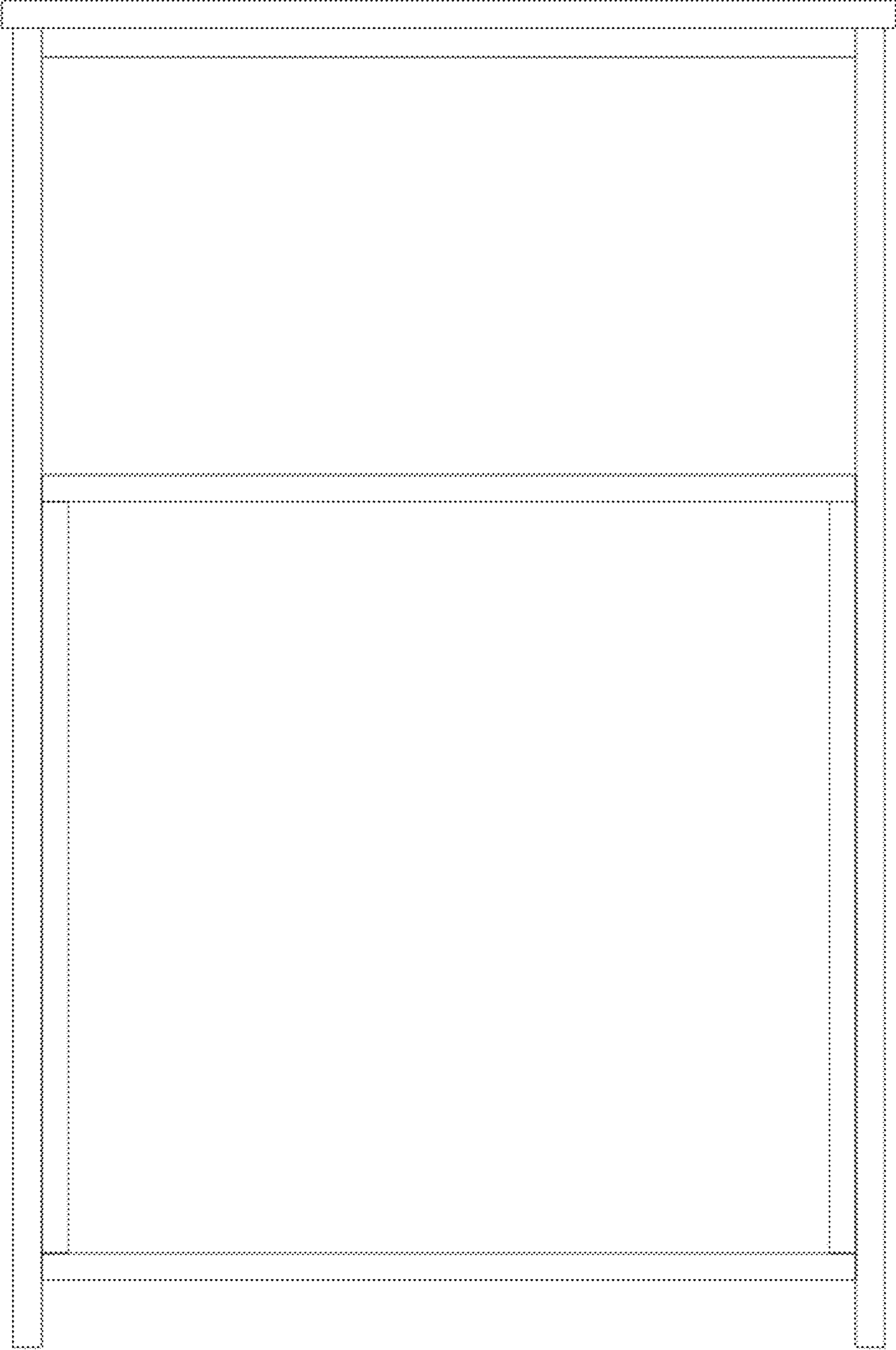


FIG. 4

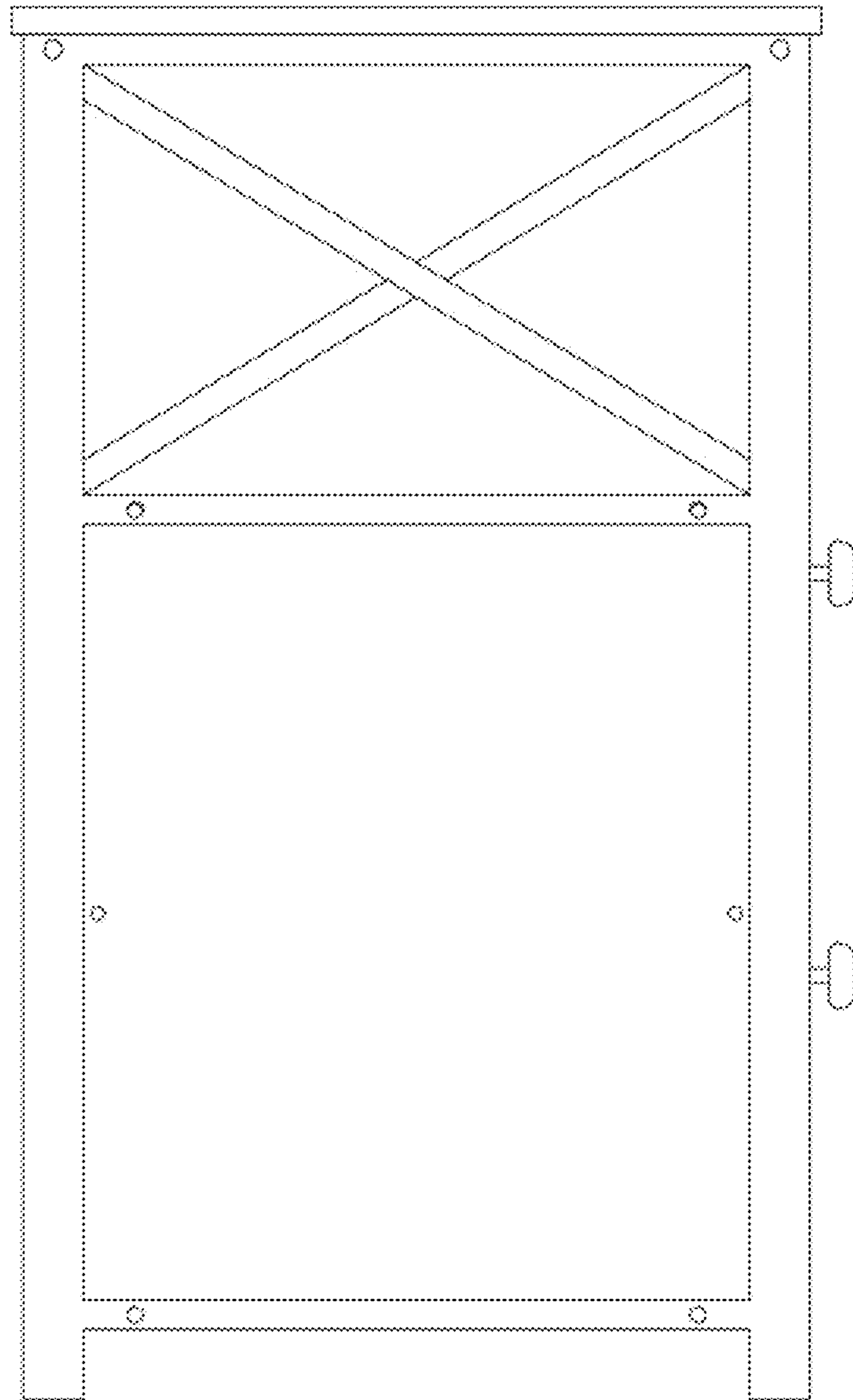


Fig. 5

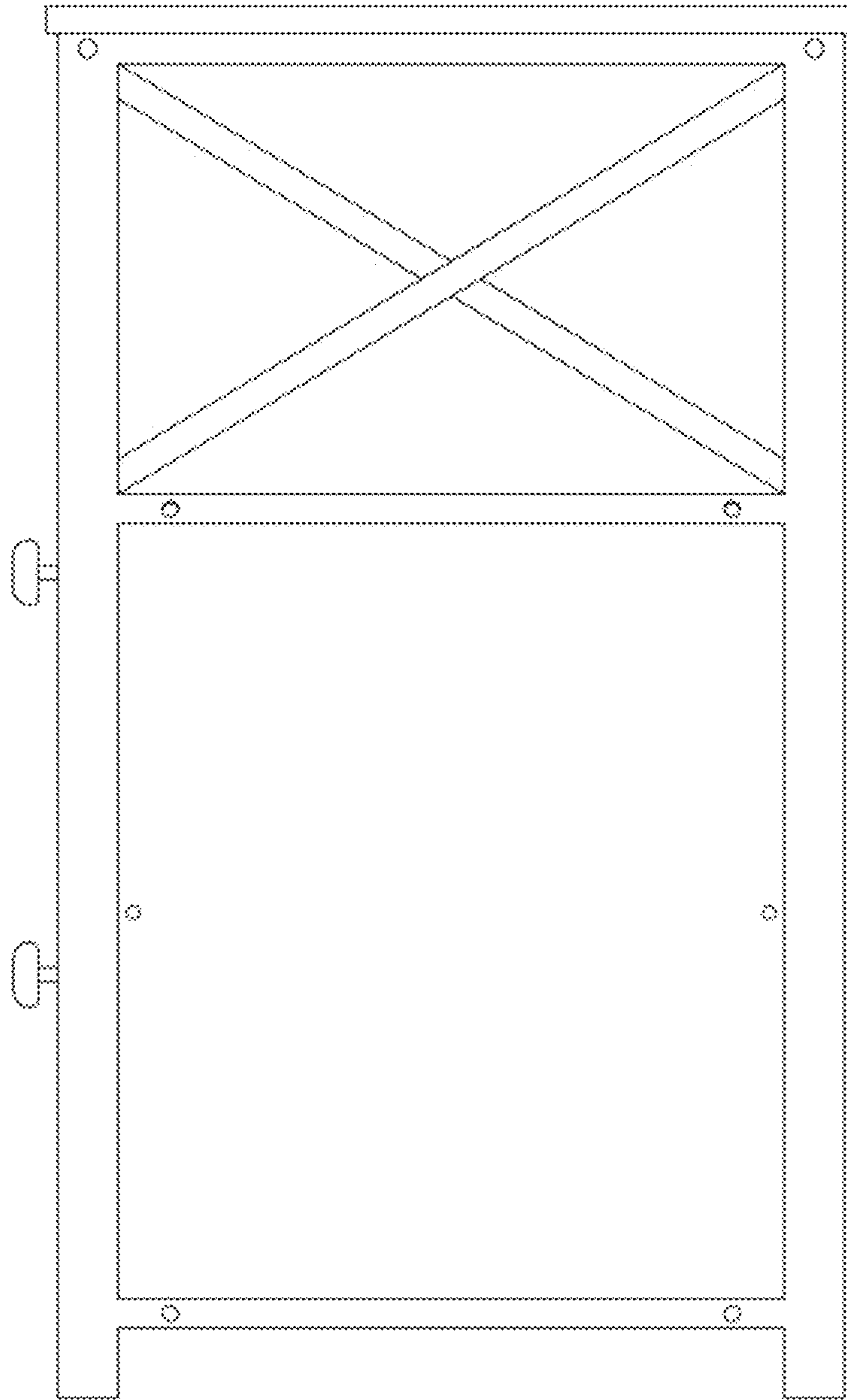


FIG. 6

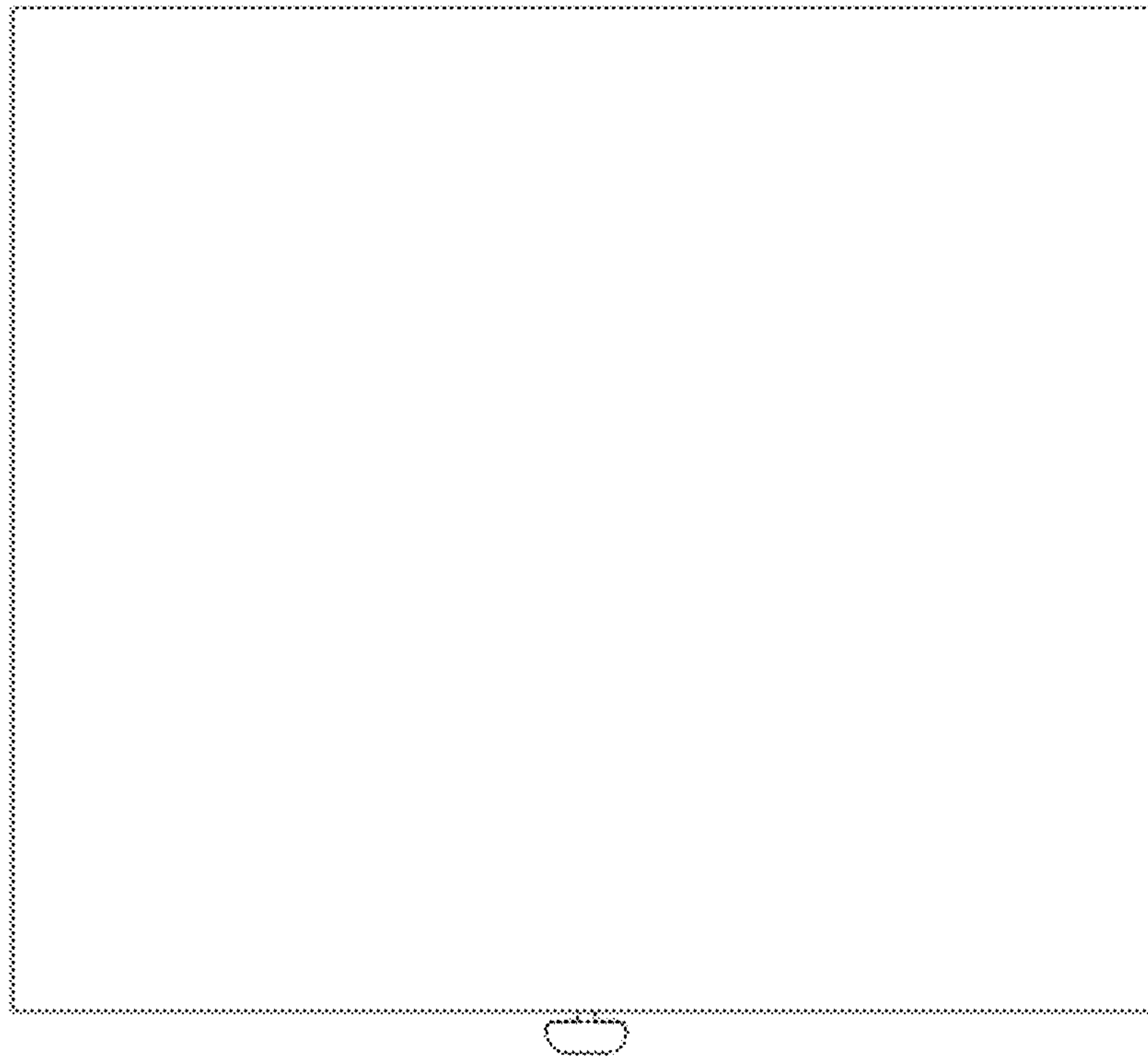


FIG. 7

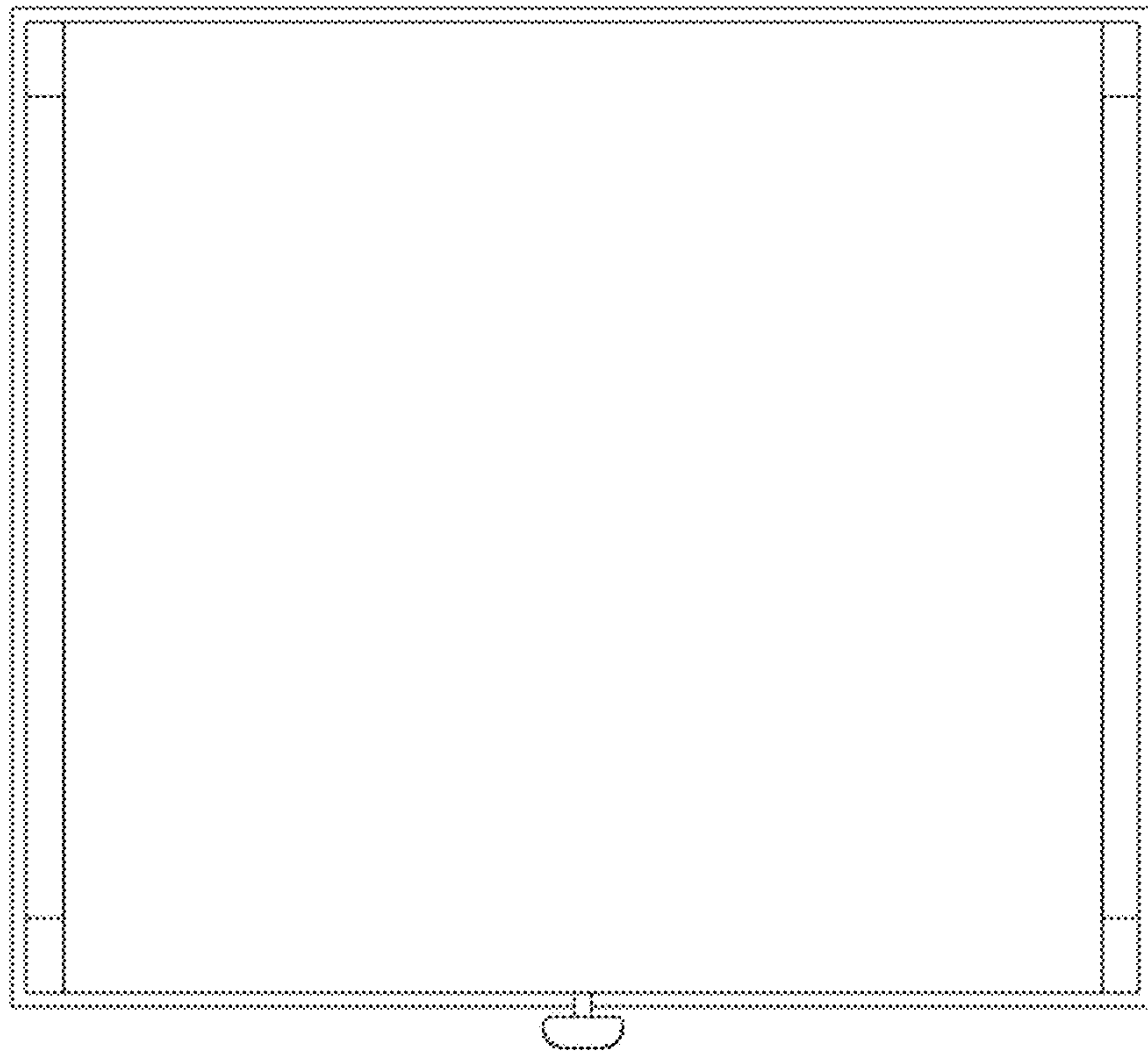


FIG. 8