

US00D923975S

(12) **United States Design Patent**
Li

(10) **Patent No.:** **US D923,975 S**

(45) **Date of Patent:** **** Jul. 6, 2021**

(54) **COMPUTER DESK**
(71) Applicant: **Wenjun Li**, Xiamen (CN)
(72) Inventor: **Wenjun Li**, Xiamen (CN)

D793,127 S 8/2017 Zhuravlev
D797,479 S * 9/2017 Manea A47B 3/087
D845,679 S 4/2019 Li D6/691

(**) Term: **15 Years**
(21) Appl. No.: **29/743,165**

(22) Filed: **Jul. 20, 2020**

(51) **LOC (13) Cl.** **06-03**

(52) **U.S. Cl.**
USPC **D6/656.19**

(58) **Field of Classification Search**
USPC D6/641, 642, 656, 656.1, 656.13, 656.14,
D6/656.16, 656.18, 656.19
CPC .. A47B 7/00; A47B 9/00; A47B 13/00; A47B
13/02; A47B 13/04; A47B 13/06; A47B
13/08; A47B 13/10; A47B 13/12; A47B
17/00; A47B 17/003; A47B 17/006; A47B
21/00; A47B 200/00001; A47B
200/00002; A47B 200/00011; A47B
200/00016; A47B 200/0002
See application file for complete search history.

OTHER PUBLICATIONS

Bon Augure Industrial Office Computer Desk—Farmhouse Goals
<https://farmhousegoals.com/shop/farmhouse-furniture/farmhouse-office-furniture/farmhouse-office-desks/bon-augure-industrial-office-computer-desk-wood-and-metal-writing-gaming-desk-workstation-desk-for-home-office-60-inch> retrieved from the on Feb. 4, 2021.*
At Work Tble Desk with Modesty Panel—National business furniture
<https://www.nationalbusinessfurniture.com/at-work-60w-x-24d-table-desk-with-modesty-panel-46372> retrieved from the on Feb. 4, 2021.*
Structure Maple Training Table with Modesty Panel—Home Depot
<https://www.homedepot.com/p/Regency-Structure-48-in-x-24-in-Maple-Training-Table-with-Modesty-Panel-STTM4824PLBK/308137454> retrieved from the on Feb. 4, 2021.*

* cited by examiner

Primary Examiner — Mary Ann Calabrese
(74) *Attorney, Agent, or Firm* — Rumit Ranjit Kanakia

(57) **CLAIM**

I claim the ornamental design for a computer desk, as shown and described.

DESCRIPTION

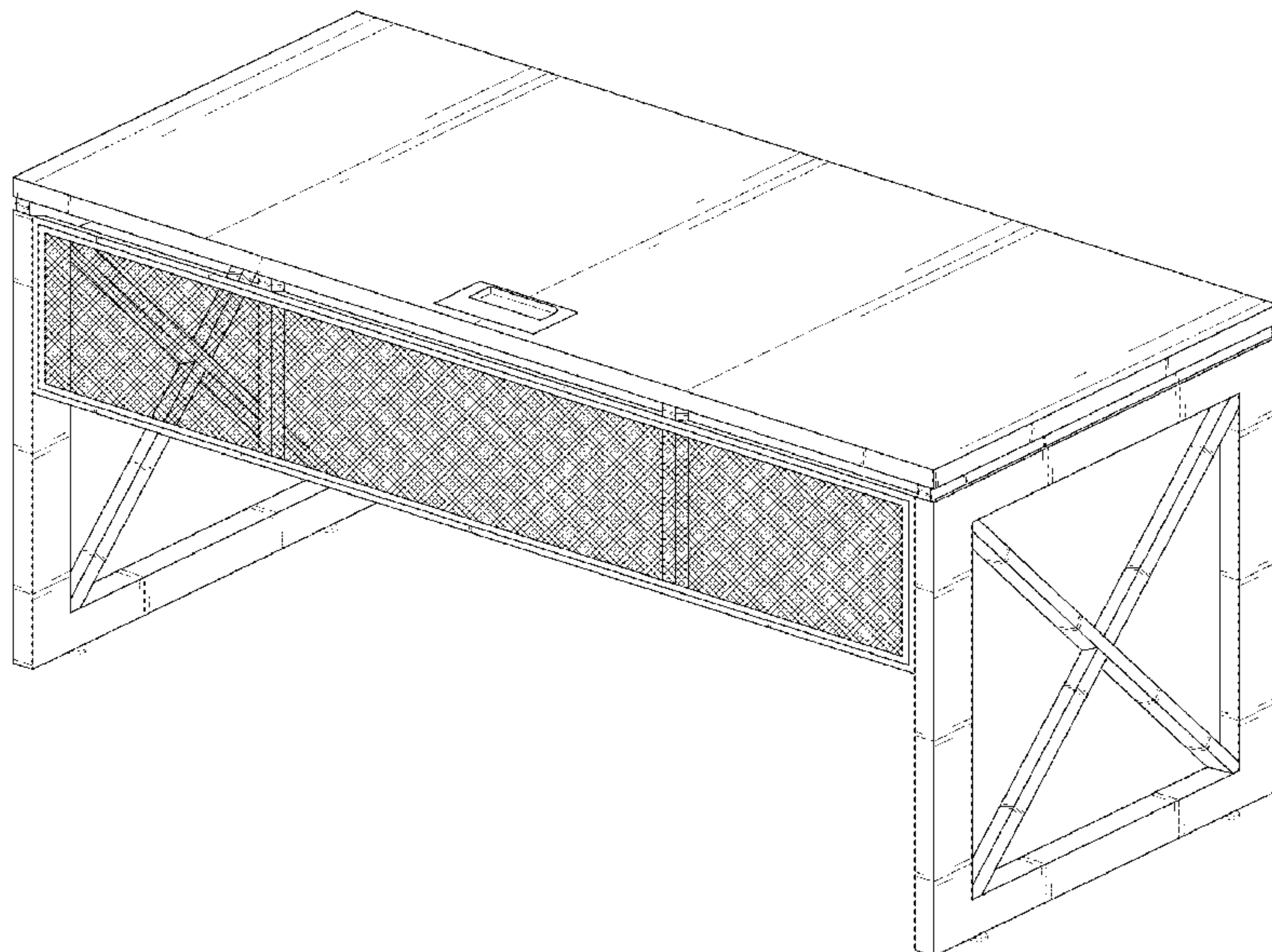
FIG. 1 is a perspective view of a computer desk showing my new design;
FIG. 2 is back perspective view thereof;
FIG. 3 is a Front view thereof;
FIG. 4 is a Back view thereof;
FIG. 5 is a Left- side view thereof;
FIG. 6 is a Right-side view thereof;
FIG. 7 is a Top view thereof; and,
FIG. 8 is a Bottom view thereof.
In the drawings, the broken lines show portions of the computer desk that form no part of the claimed design.

1 Claim, 7 Drawing Sheets

(56) **References Cited**

U.S. PATENT DOCUMENTS

3,128,727 A * 4/1964 Rainwater A47B 3/10
108/129
4,333,638 A * 6/1982 Gillotti A47B 3/087
5/613
D454,732 S * 3/2002 Frenkler A47B 3/10
D6/656
D473,728 S 4/2003 Chang
D499,273 S 12/2004 Chang
D538,062 S 3/2007 Chang
D584,542 S * 1/2009 Martin D6/656
D591,536 S * 5/2009 Kumazawa D6/711
D618,017 S 6/2010 Sexton



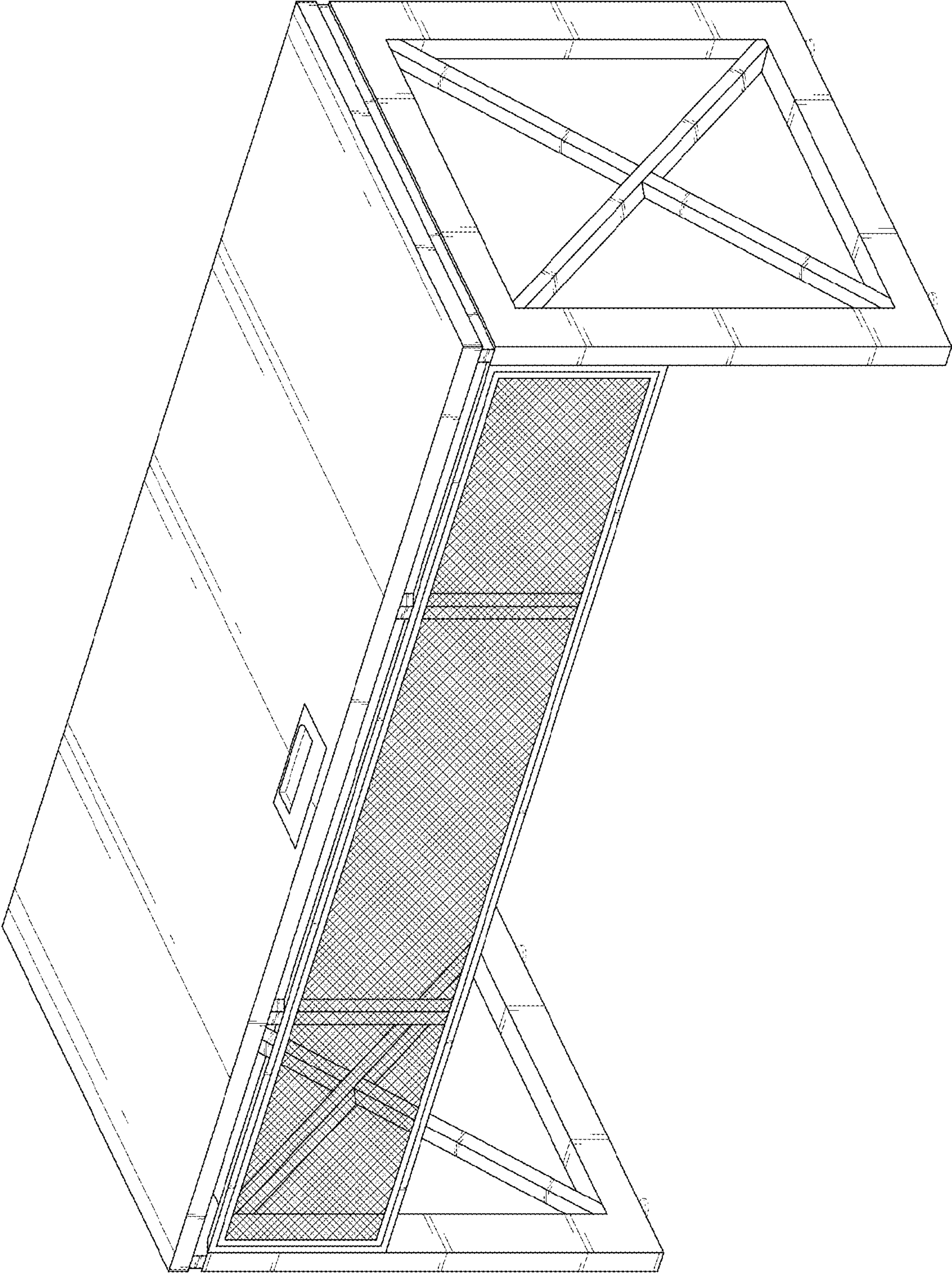


FIG. 1

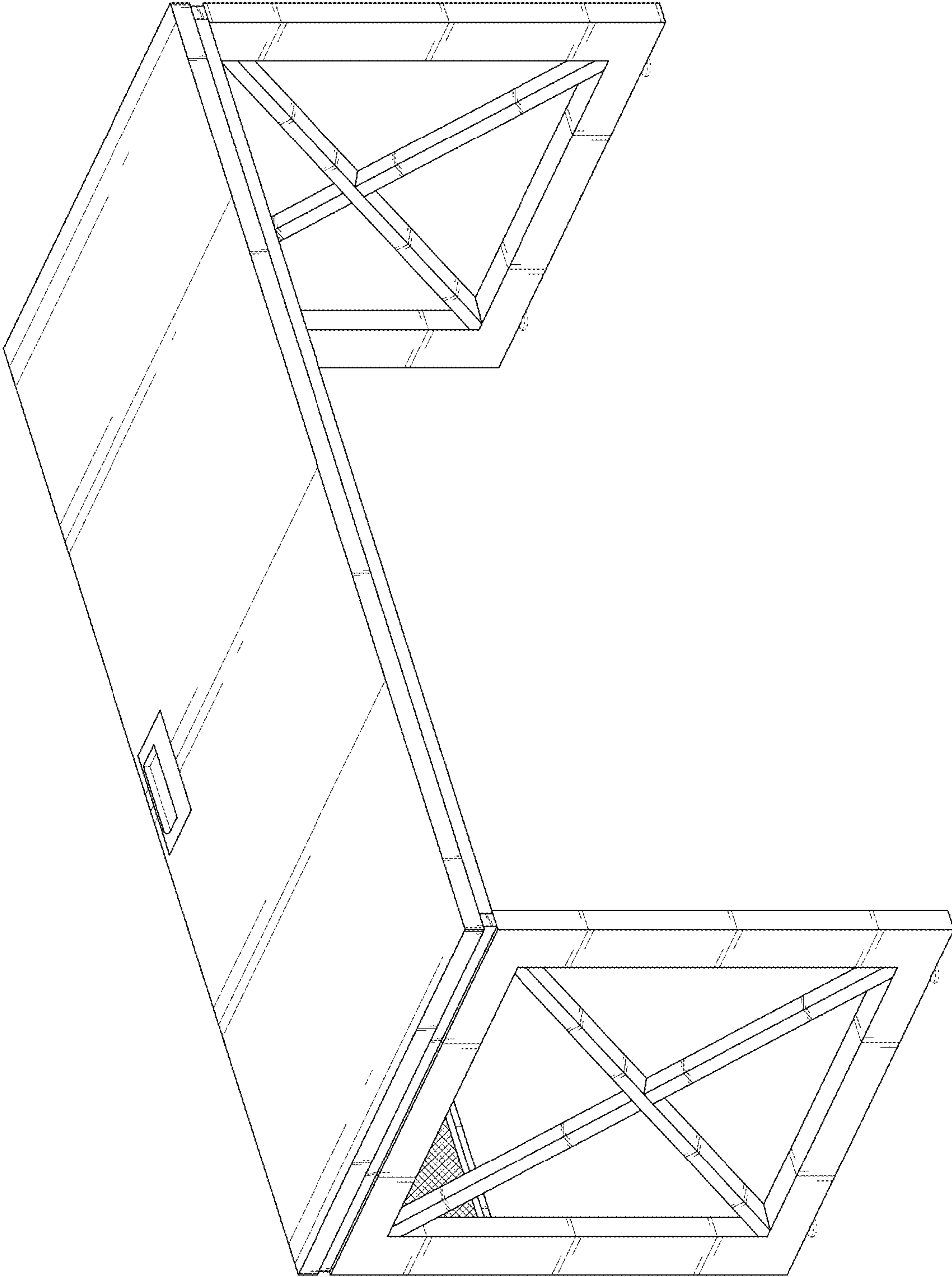


FIG. 2

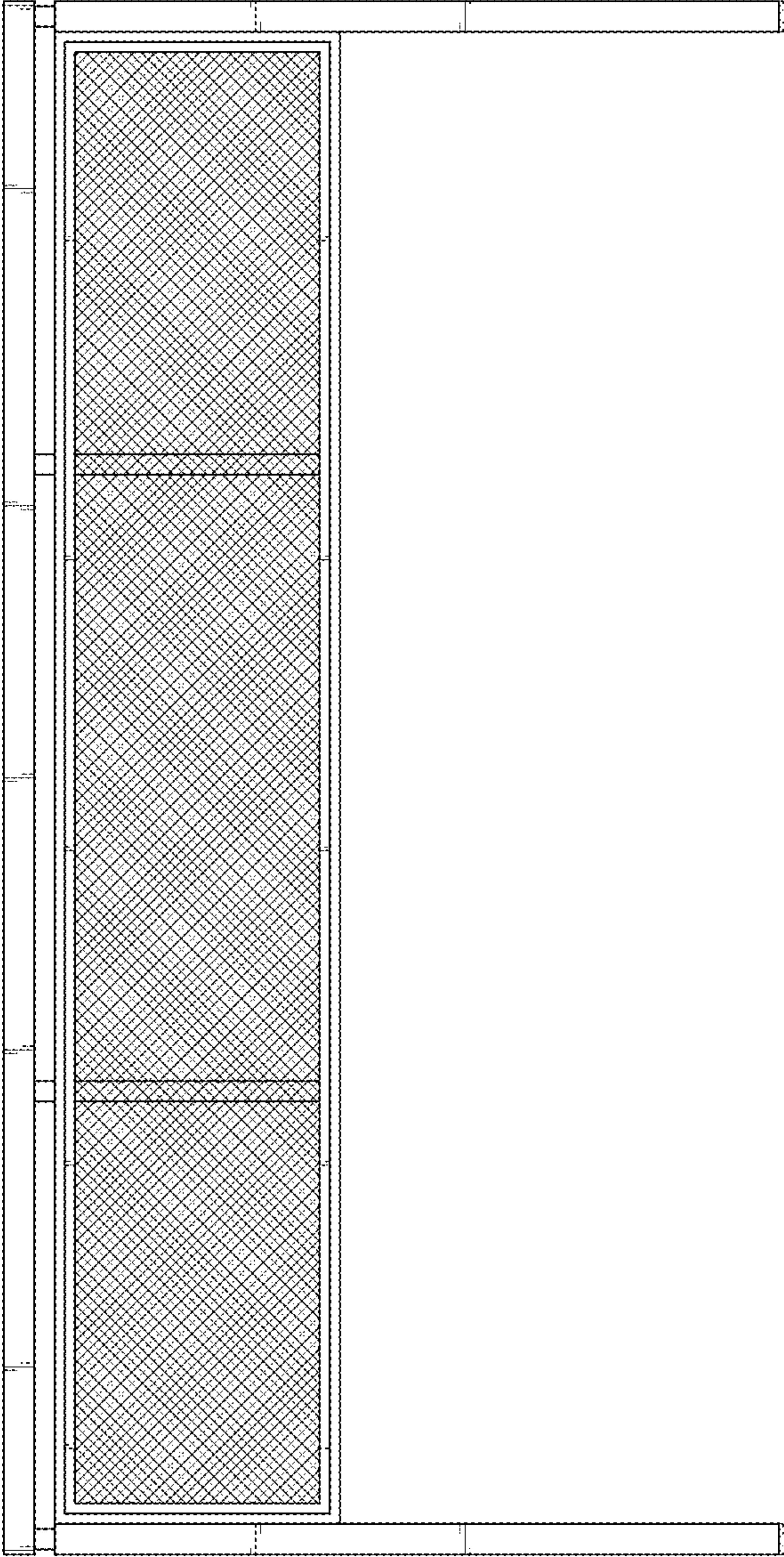


FIG. 3

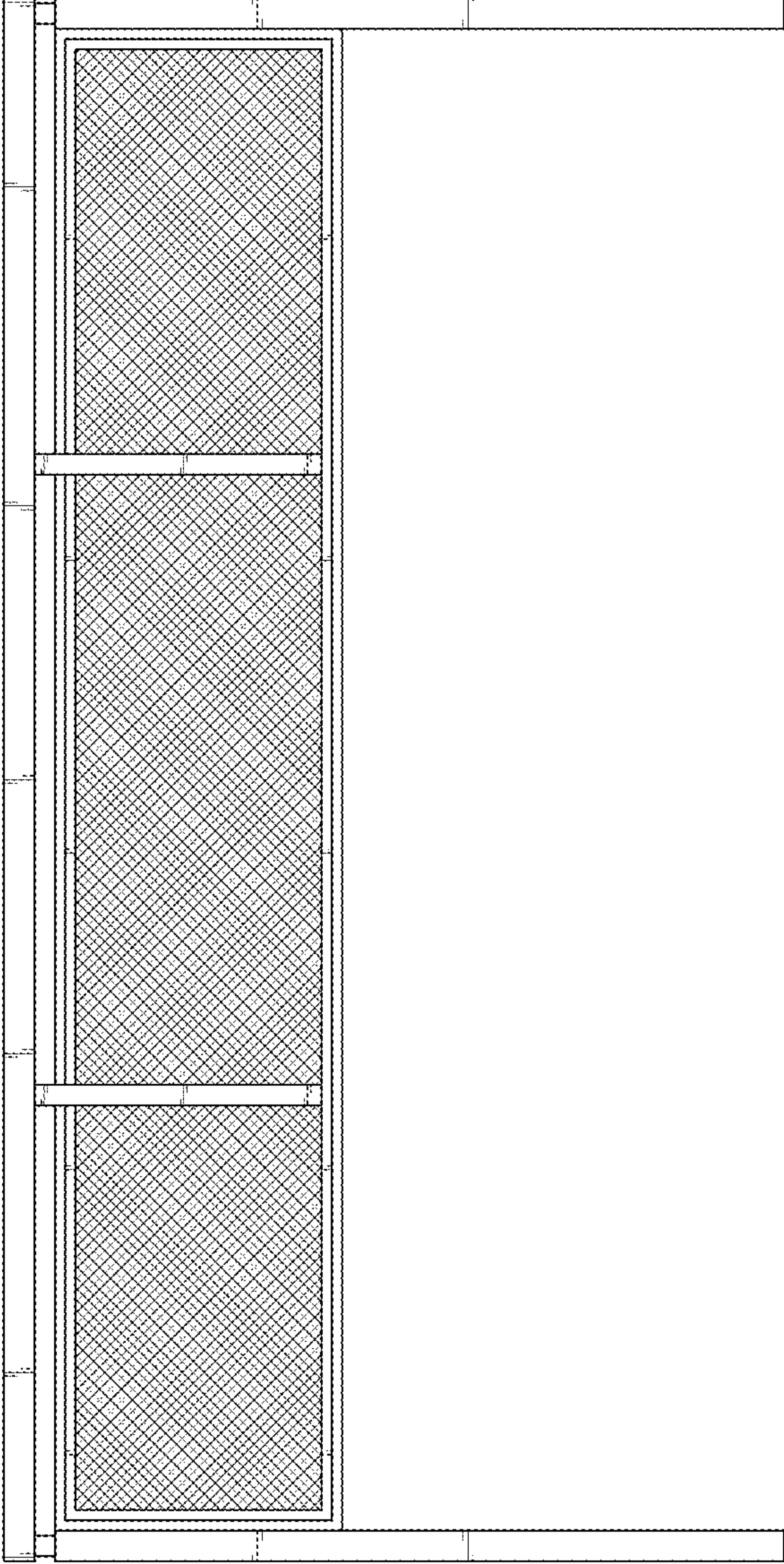


FIG. 4

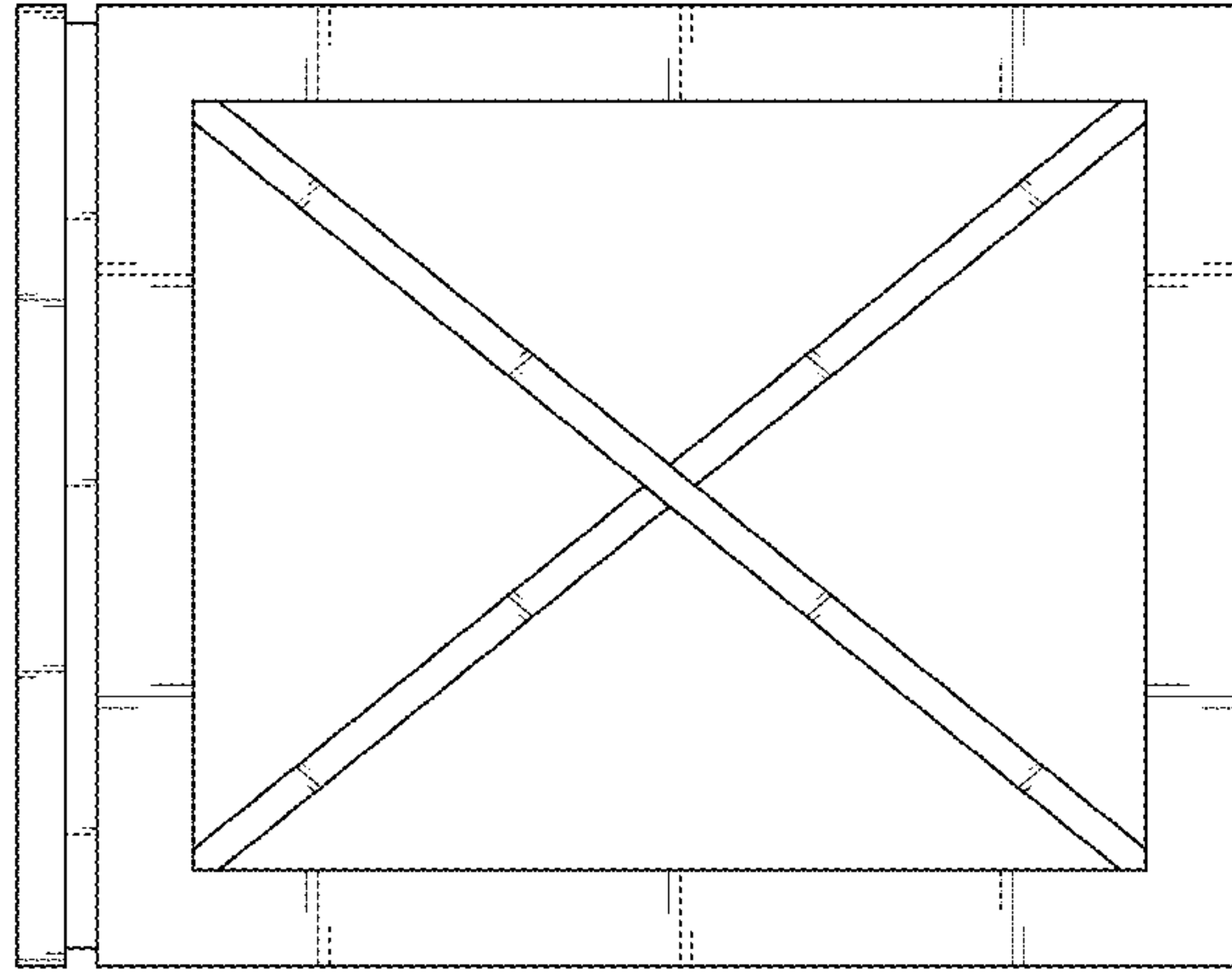


FIG. 6

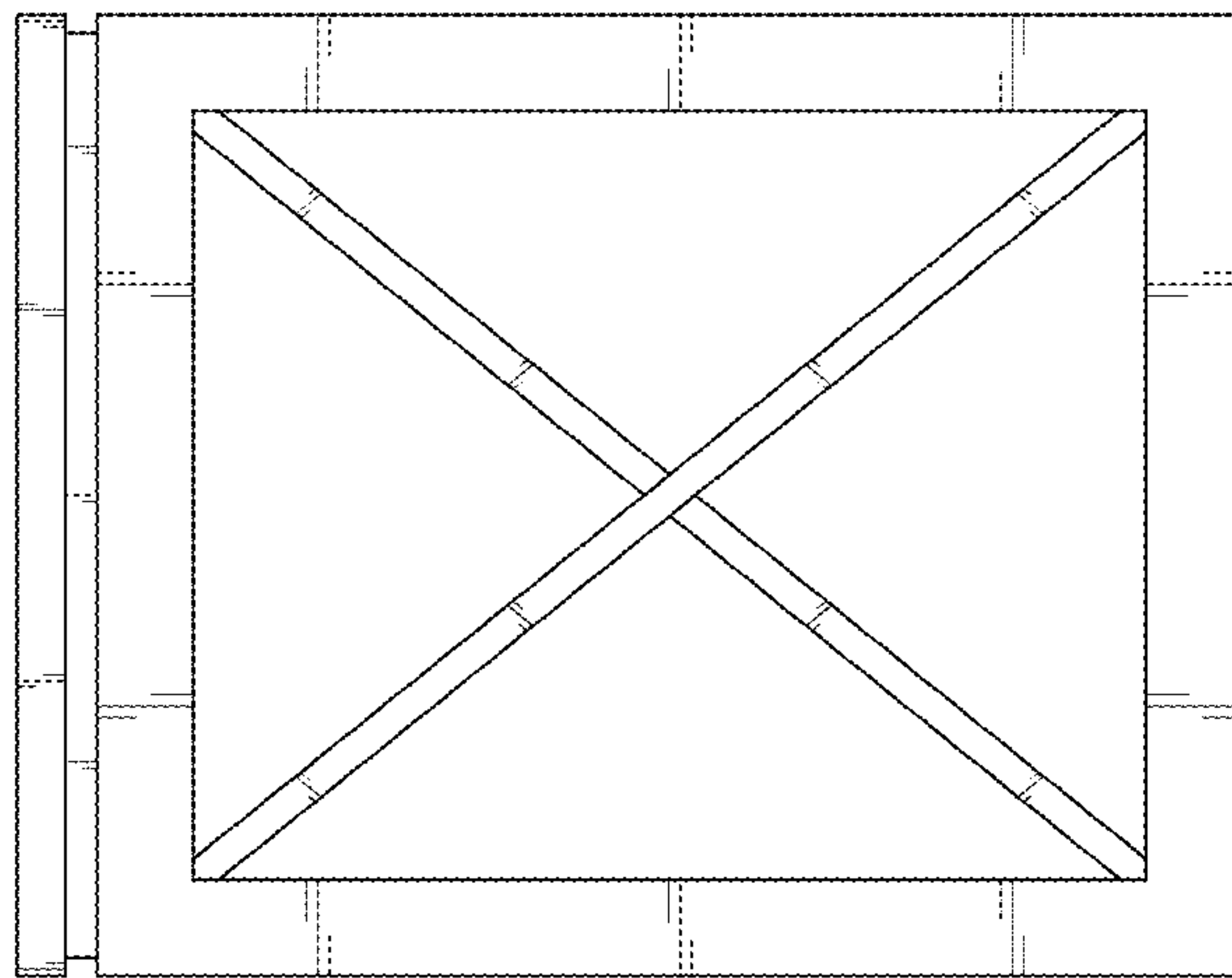


FIG. 5

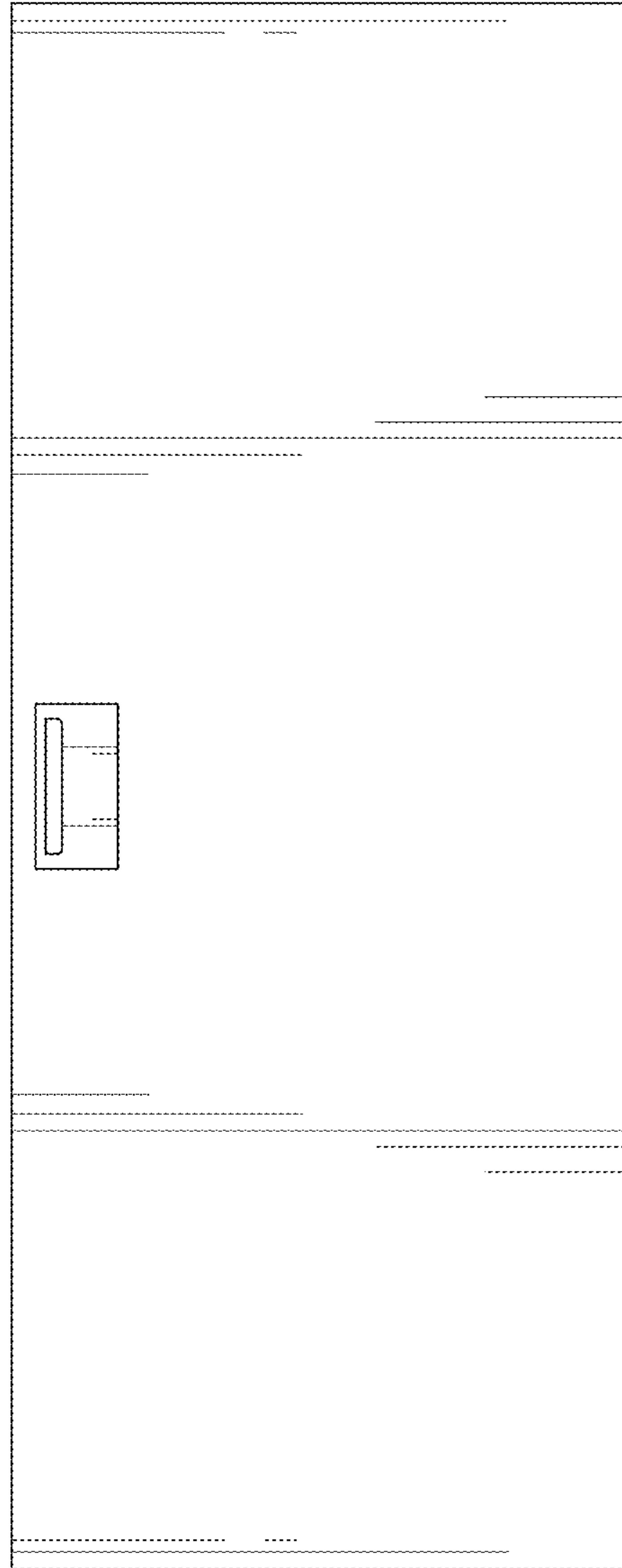


FIG. 7

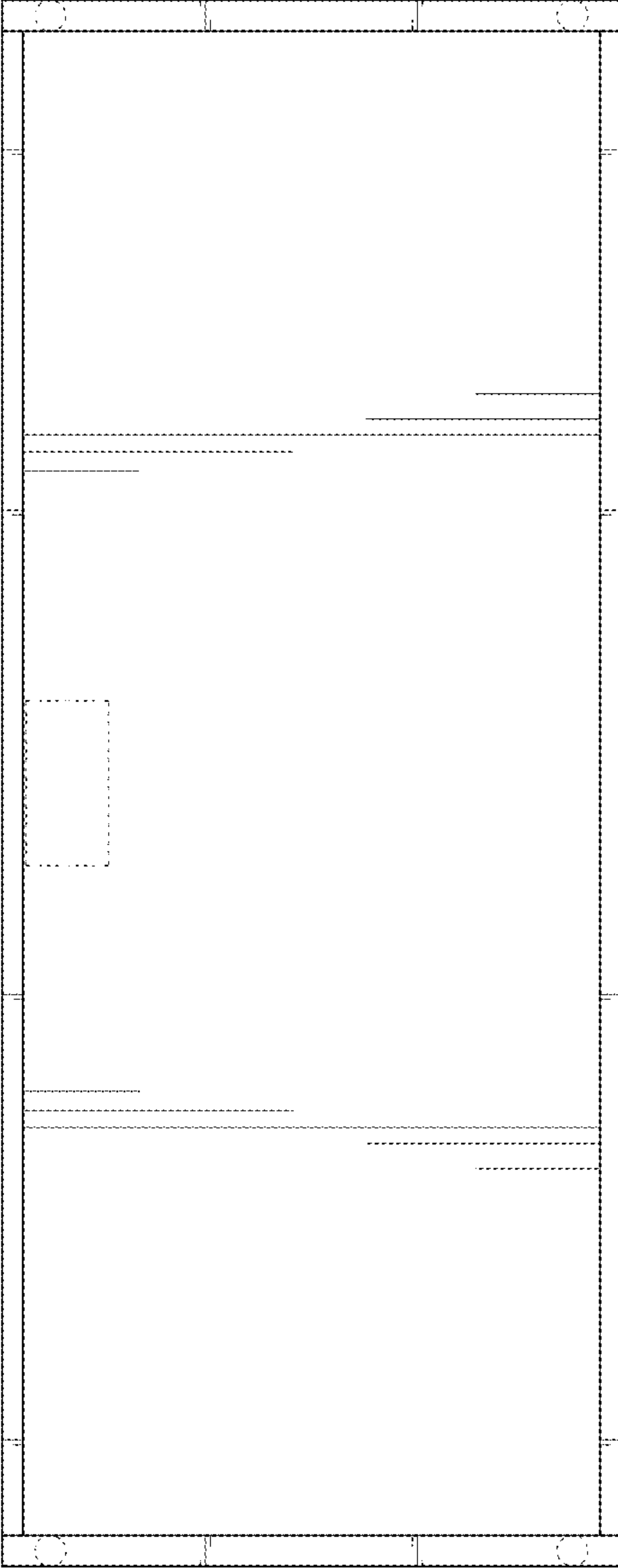


FIG. 8