



US00D923968S

(12) **United States Design Patent** (10) **Patent No.:** **US D923,968 S**
Jackson et al. (45) **Date of Patent:** **** Jul. 6, 2021**

(54) **CHILD'S FORWARD-SUPPORTING CUSHION**

(71) Applicants: **Clay Martin Jackson**, Peralta, NM (US); **Thuy Thi Hong Nguyen**, Peralta, NM (US)

(72) Inventors: **Clay Martin Jackson**, Peralta, NM (US); **Thuy Thi Hong Nguyen**, Peralta, NM (US)

(**) Term: **15 Years**

(21) Appl. No.: **29/739,546**

(22) Filed: **Jun. 26, 2020**

(51) **LOC (13) Cl.** **06-09**

(52) **U.S. Cl.**
USPC **D6/598**

(58) **Field of Classification Search**
USPC D6/582-583, 587-592, 595-609, D6/617-622; D21/803-809; D24/183
CPC A47G 9/00; A47G 2009/001; A47G 2009/002; A47G 2009/003; A47G 9/10; A47G 9/1009; A47G 2009/1018; A47G 9/1045; A47G 9/1081; A47G 9/109; A47G 9/007; A61G 7/072
See application file for complete search history.

(56) **References Cited**

U.S. PATENT DOCUMENTS

3,604,026	A	9/1971	Schelps	
4,277,859	A	7/1981	Seaman	
4,712,259	A	12/1987	Chiasson	
D311,472	S *	10/1990	Giles	5/904
5,611,601	A	3/1997	Cowgur	
5,645,319	A	7/1997	Parks, Jr.	
5,802,644	A	9/1998	Scheurer	

(Continued)

FOREIGN PATENT DOCUMENTS

CN	203860837	10/2014
GB	2246292	1/1992

(Continued)

OTHER PUBLICATIONS

U.S. Appl. No. 29/650,638, filed Jun. 8, 2018, Jackson, et al.

(Continued)

Primary Examiner — Jennifer L Rempfer

(74) *Attorney, Agent, or Firm* — Mitch Harris, Atty at Law; Andrew M. Harris

(57) **CLAIM**

The ornamental design for a child's forward-supporting cushion, as shown and described.

DESCRIPTION

FIG. 1 is a perspective view of the child's forward-supporting cushion.

FIG. 2 is a front view of the child's forward-supporting cushion.

FIG. 3 is a rear view of the child's forward-supporting cushion.

FIG. 4 is a right side view of the child's forward-supporting cushion.

FIG. 5 is a left side view of the child's forward-supporting cushion.

FIG. 6 is a top view of the child's forward-supporting cushion.

FIG. 7 is a bottom view of the child's forward-supporting cushion.

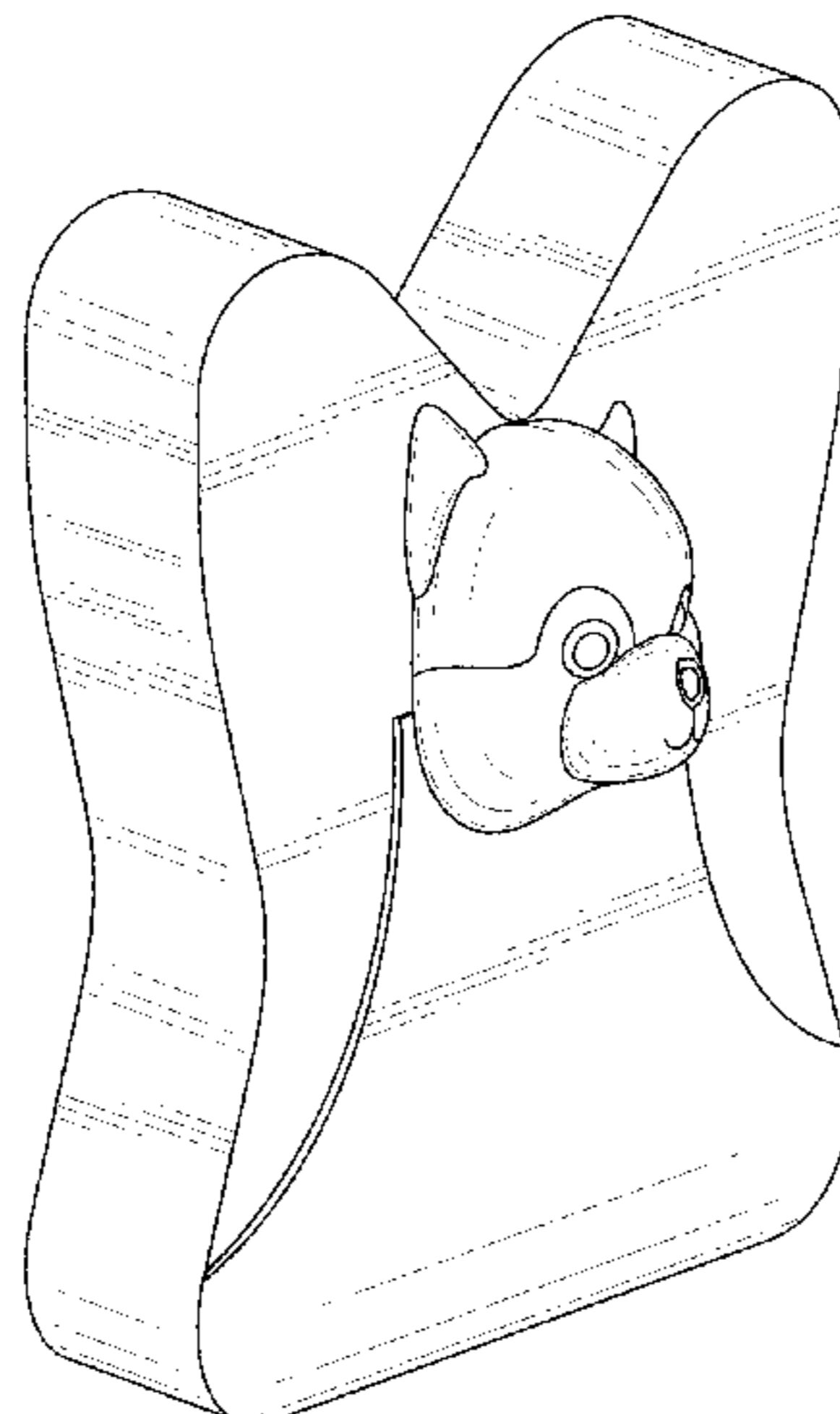
FIG. 8 is a front view of the child's forward-supporting cushion in a rolled configuration.

FIG. 9 is a bottom view of the child's forward-supporting cushion in a rolled configuration; and,

FIG. 10 is a top view of the child's forward-supporting cushion in a rolled configuration.

The broken lines represent stitching that forms part of the claim.

1 Claim, 10 Drawing Sheets



(56)

References Cited

U.S. PATENT DOCUMENTS

D408,195 S * 4/1999 Bear D6/598
 D421,511 S * 3/2000 Bionde D21/659
 6,364,416 B1 4/2002 Rheault et al.
 6,463,608 B1 10/2002 Moe
 6,763,537 B1 7/2004 Crear
 6,973,691 B1 12/2005 Cordova et al.
 7,114,206 B2 10/2006 Leach
 7,114,776 B1 10/2006 Wiltberger
 7,788,751 B1 9/2010 Diemer et al.
 D644,056 S 8/2011 Shuler
 D650,213 S * 12/2011 Ogawa D6/598
 D659,252 S 5/2012 Batiste et al.
 8,333,308 B2 * 12/2012 Maginness A45F 3/04
 224/153
 D692,686 S * 11/2013 Bush D6/597
 D715,580 S 10/2014 Ganjavian et al.
 D718,074 S 11/2014 Savolainen
 D722,449 S 2/2015 Krishtul
 8,984,688 B1 3/2015 Ibrahim
 9,259,091 B2 2/2016 Freund
 9,295,337 B1 3/2016 Bavli
 D785,184 S 4/2017 Higgins et al.
 D793,770 S * 8/2017 Krishtul D6/601
 9,801,480 B1 10/2017 McCain
 9,930,977 B1 4/2018 Jennings
 D828,702 S 9/2018 Chen
 D830,082 S * 10/2018 Lambert D6/598
 10,178,914 B2 1/2019 Trucco
 D841,363 S 2/2019 Sackey
 D848,765 S 5/2019 Chen

D859,034 S 9/2019 Li
 D884,386 S * 5/2020 Lambert D6/598
 D885,792 S * 6/2020 Peng D6/601
 10,722,048 B2 * 7/2020 Peterson A47D 13/083
 D898,424 S * 10/2020 Jackson D6/601
 D911,066 S * 2/2021 Esser D6/598
 2004/0064893 A1 4/2004 Sharp
 2008/0256714 A1 10/2008 Cabbage et al.
 2011/0249914 A1 10/2011 Boruff
 2012/0210516 A1 8/2012 Popovic
 2013/0025059 A1 1/2013 Ratte
 2013/0276236 A1 10/2013 Rasmussen

FOREIGN PATENT DOCUMENTS

GB 2536662 9/2016
 GB 2538597 11/2016

OTHER PUBLICATIONS

Bed Bath & Beyond, "Samsonite Magic 2-in-1 Travel Pillow with Pocket in Navy", downloaded from <https://www.bedbathandbeyond.com/store/product/samsonite-reg-magic-2-in-1-travel-pillow-with-pocket-in-navy/1045753275> on Apr. 18, 2018, 2 pages (pp. 1-2 in pdf).
 Office Action in U.S. Appl. No. 29/650,638 dated Nov. 1, 2019, 8 pgs. (pp. 1-8 in pdf).
 Notice of Allowance in U.S. Appl. No. 29/650,638 dated Feb. 26, 2020, 8 pgs. (pp. 1-8 in pdf).

* cited by examiner

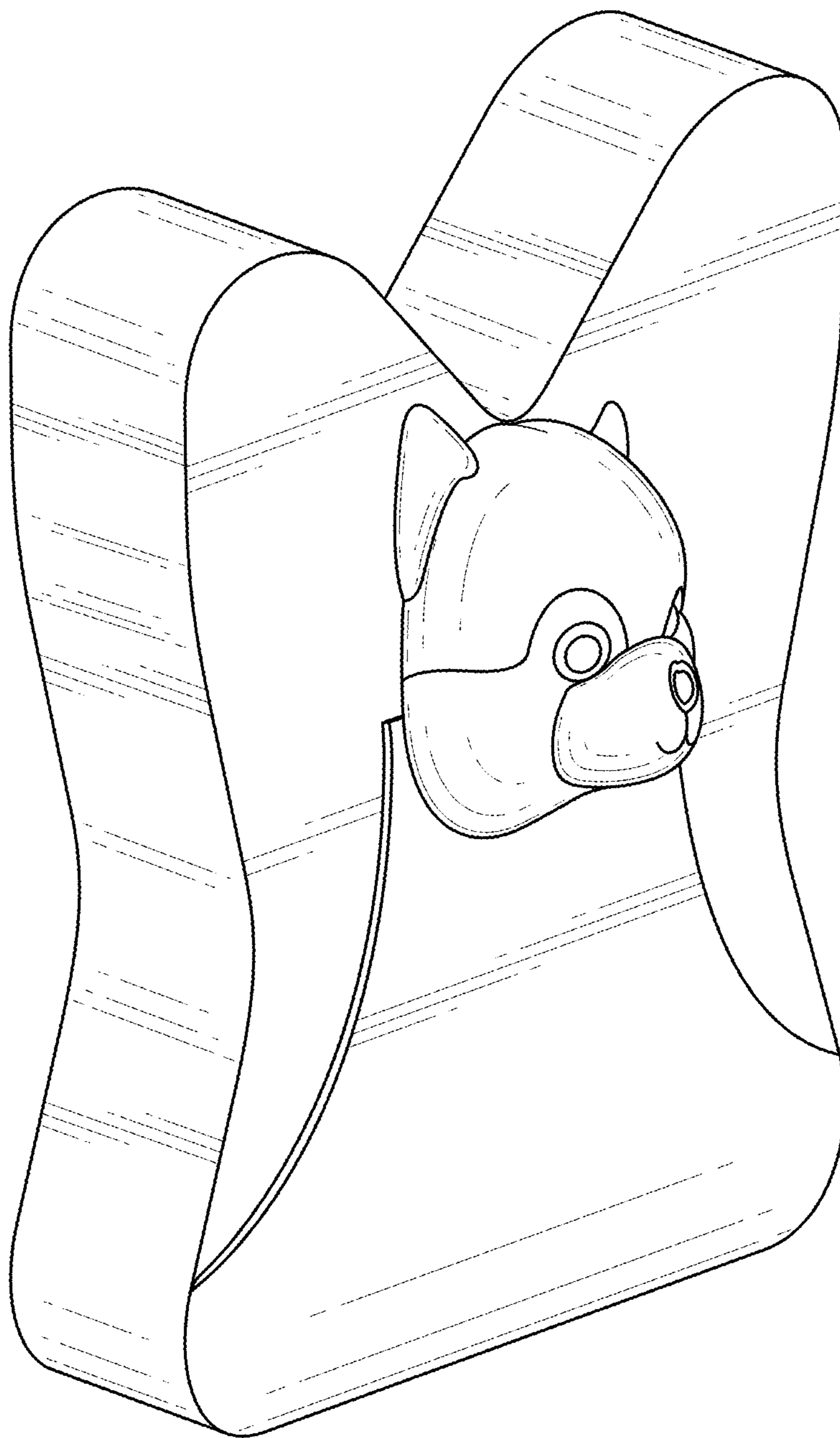


FIG. 1

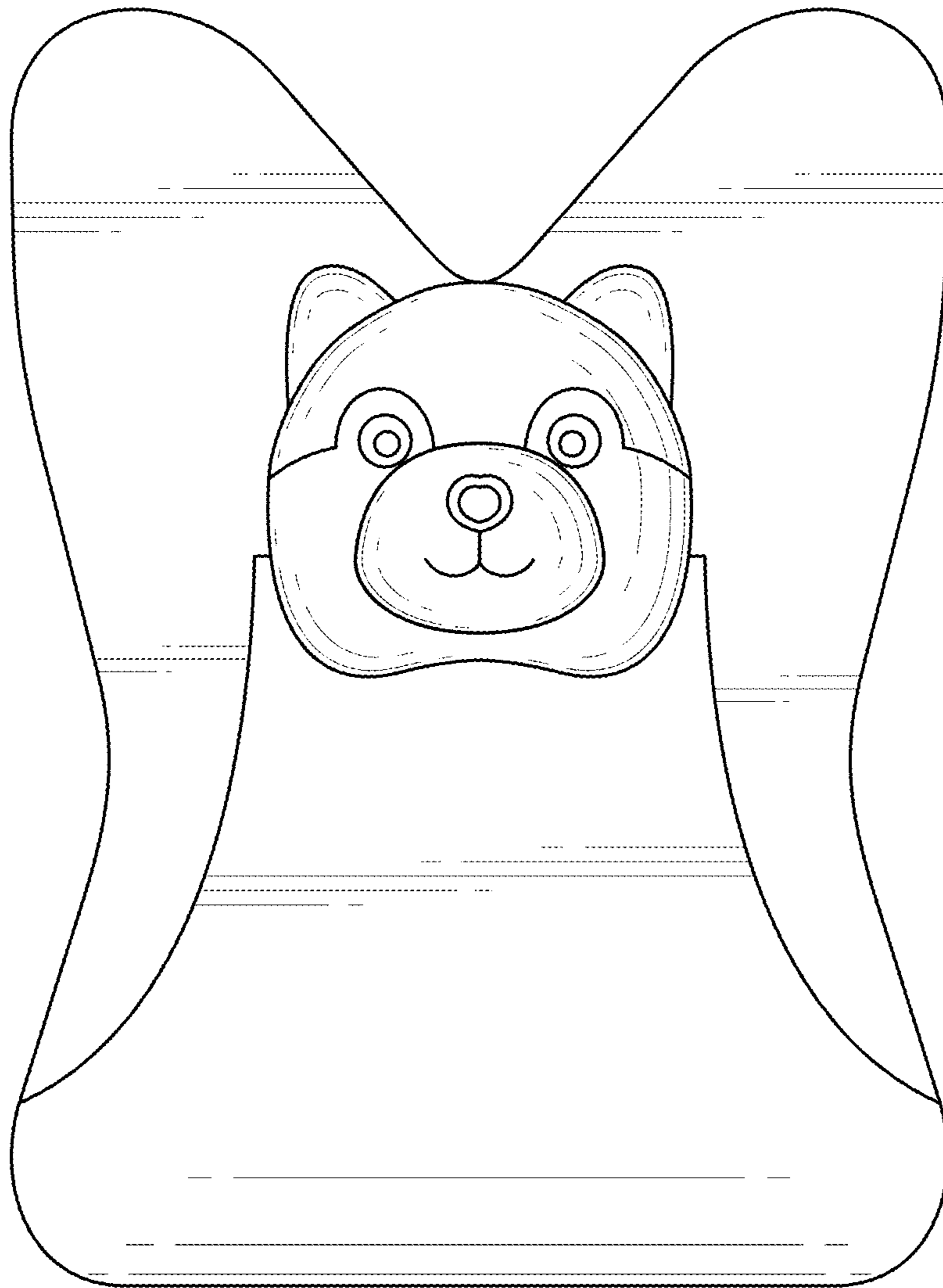


FIG. 2

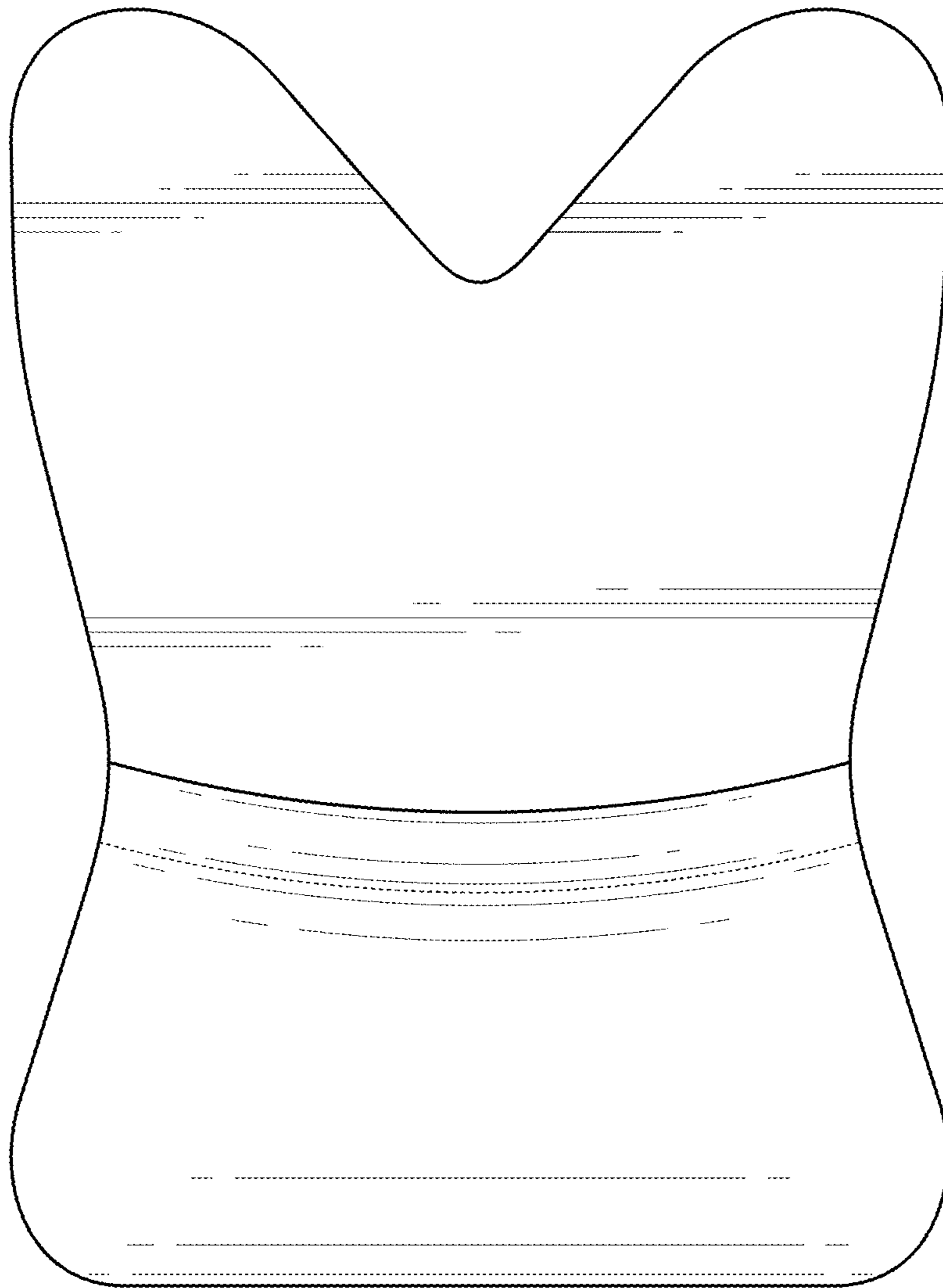


FIG. 3

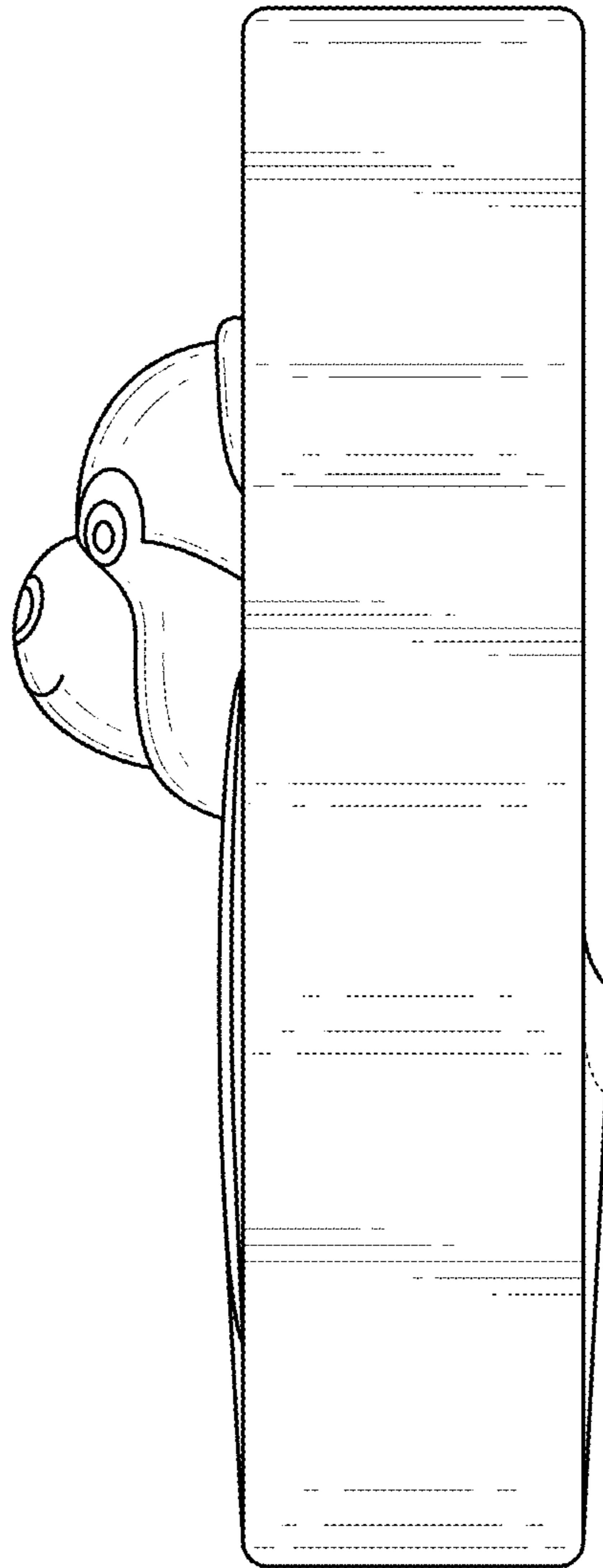


FIG. 4

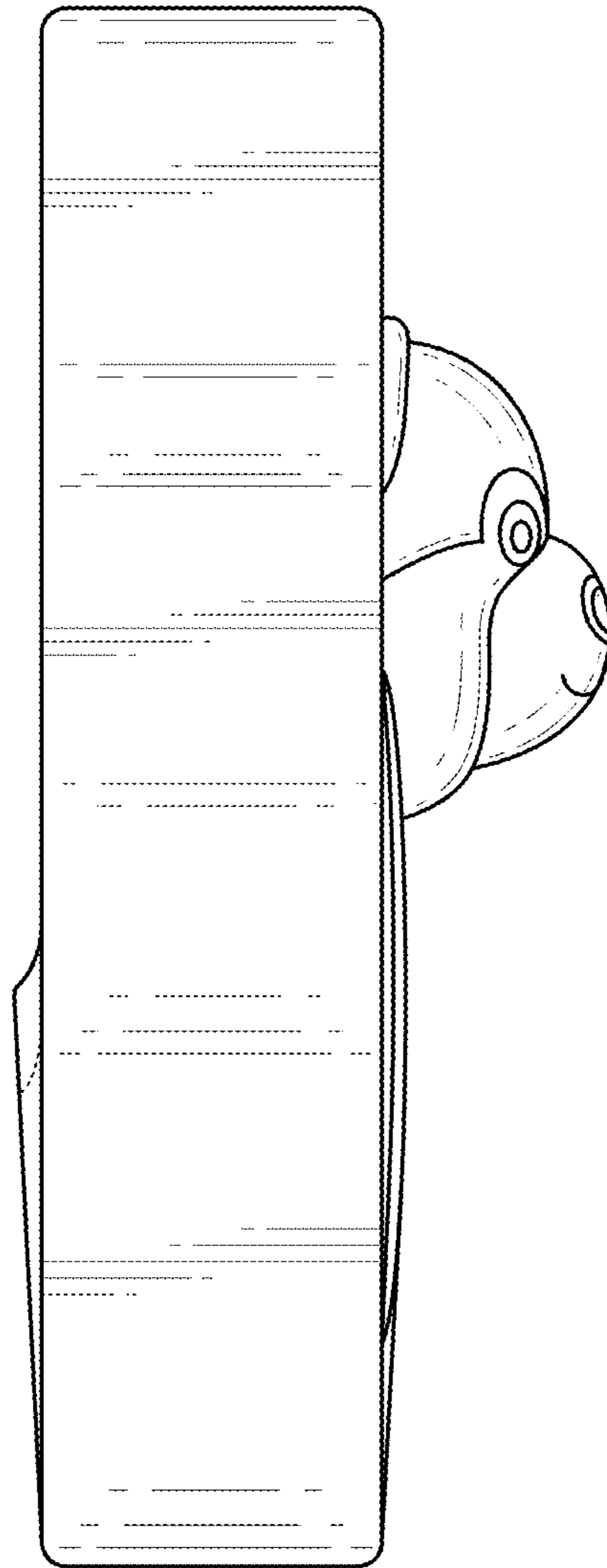


FIG. 5

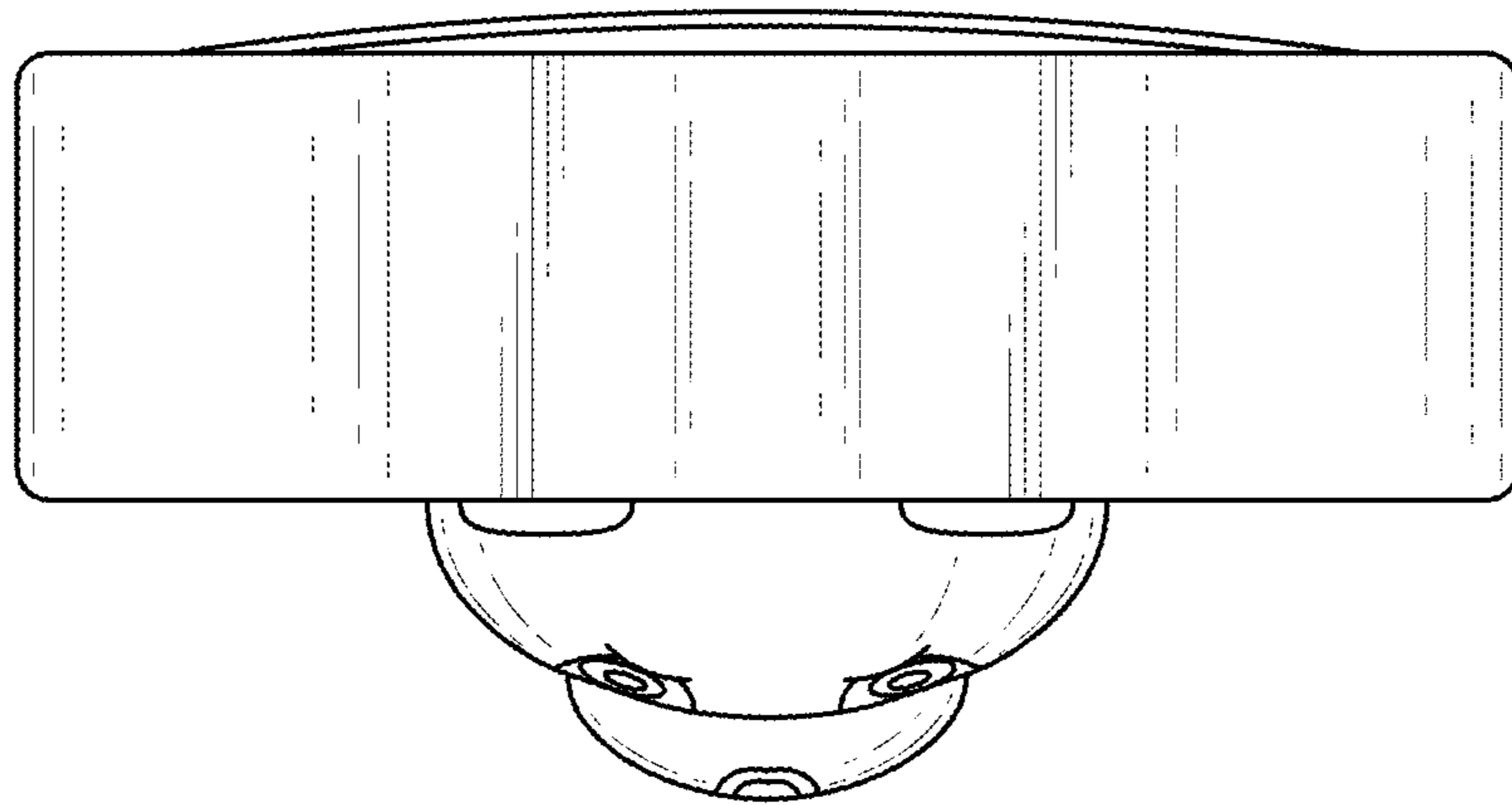


FIG. 6

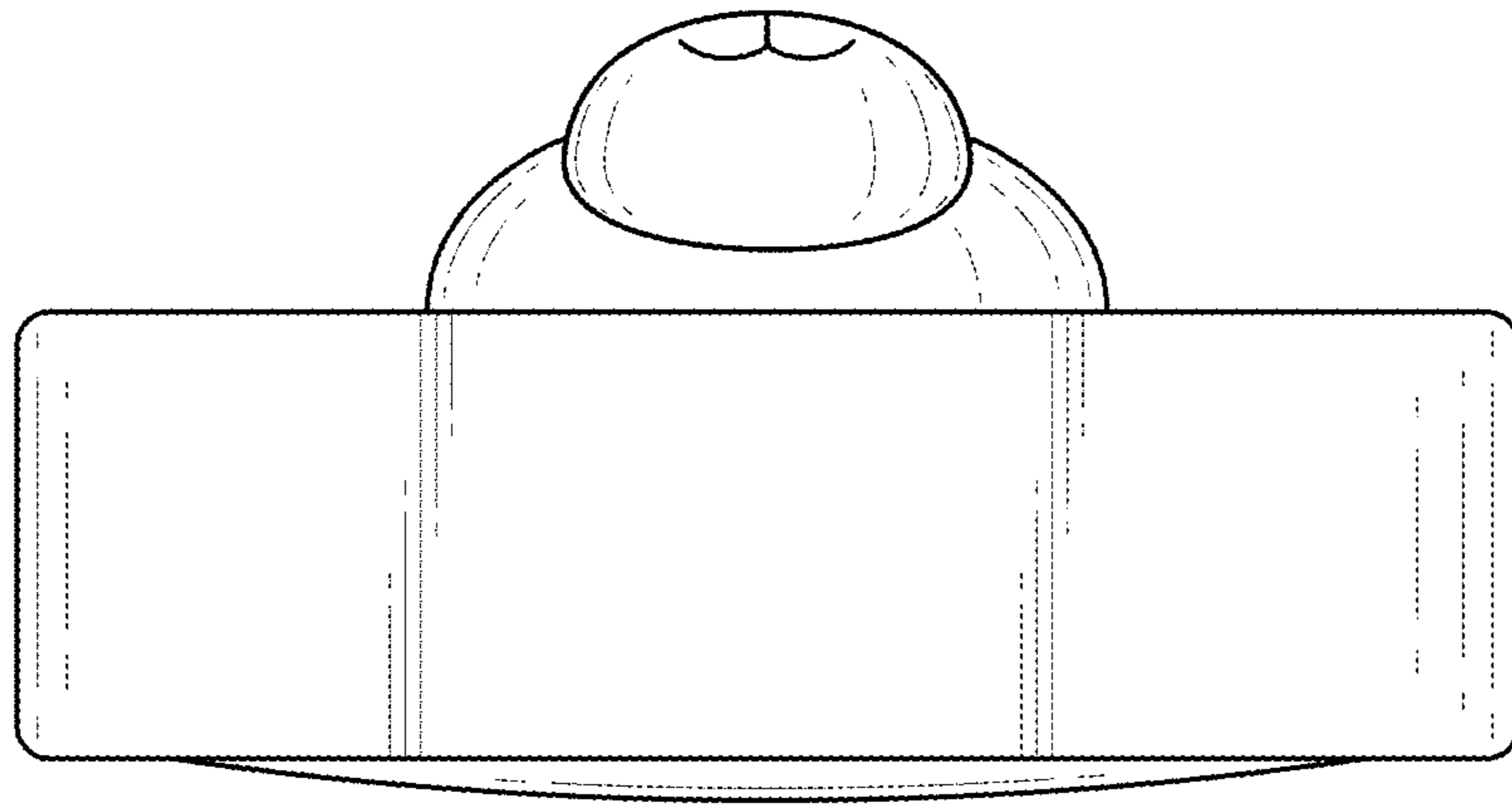


FIG. 7

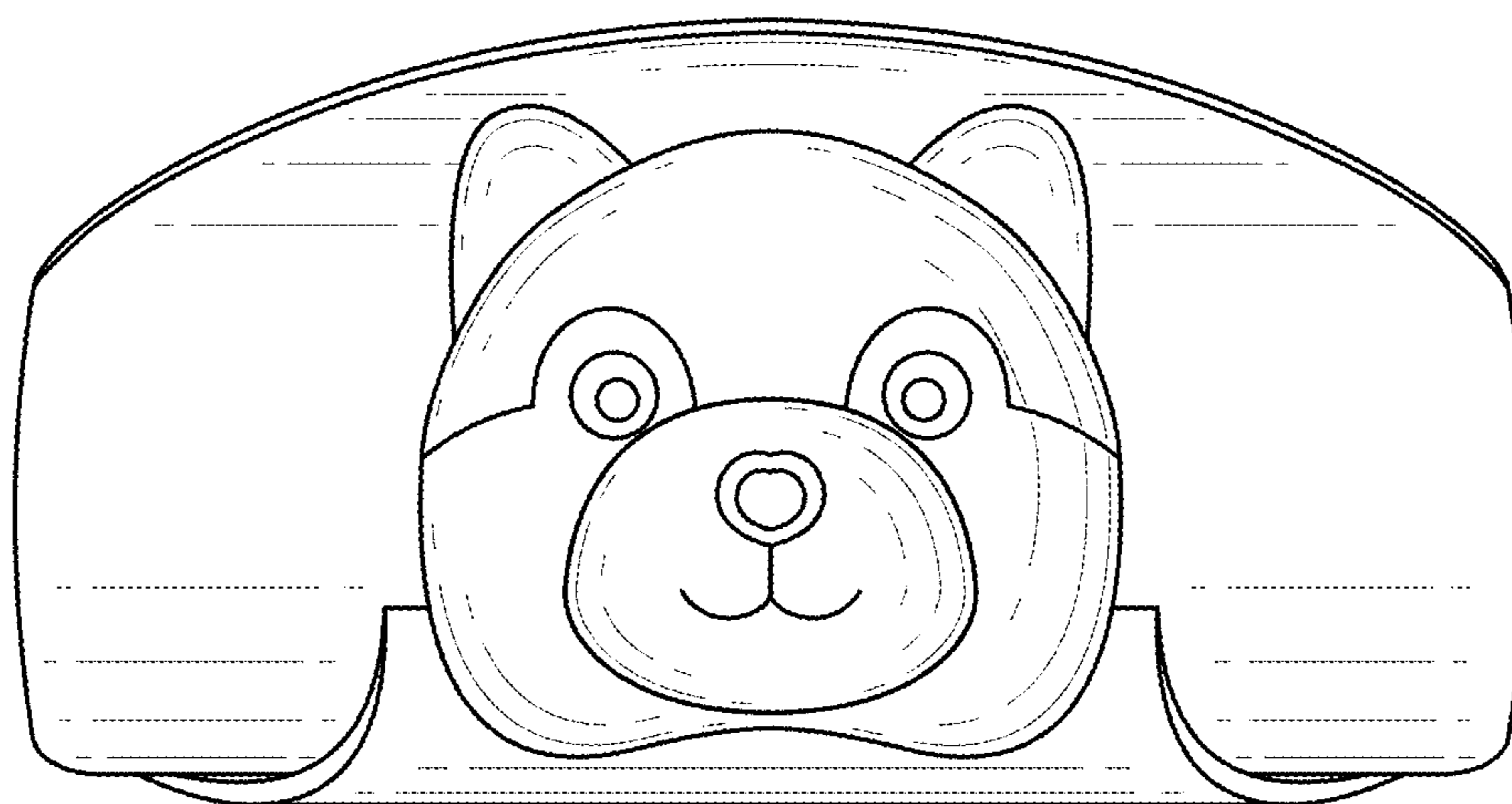


FIG. 8

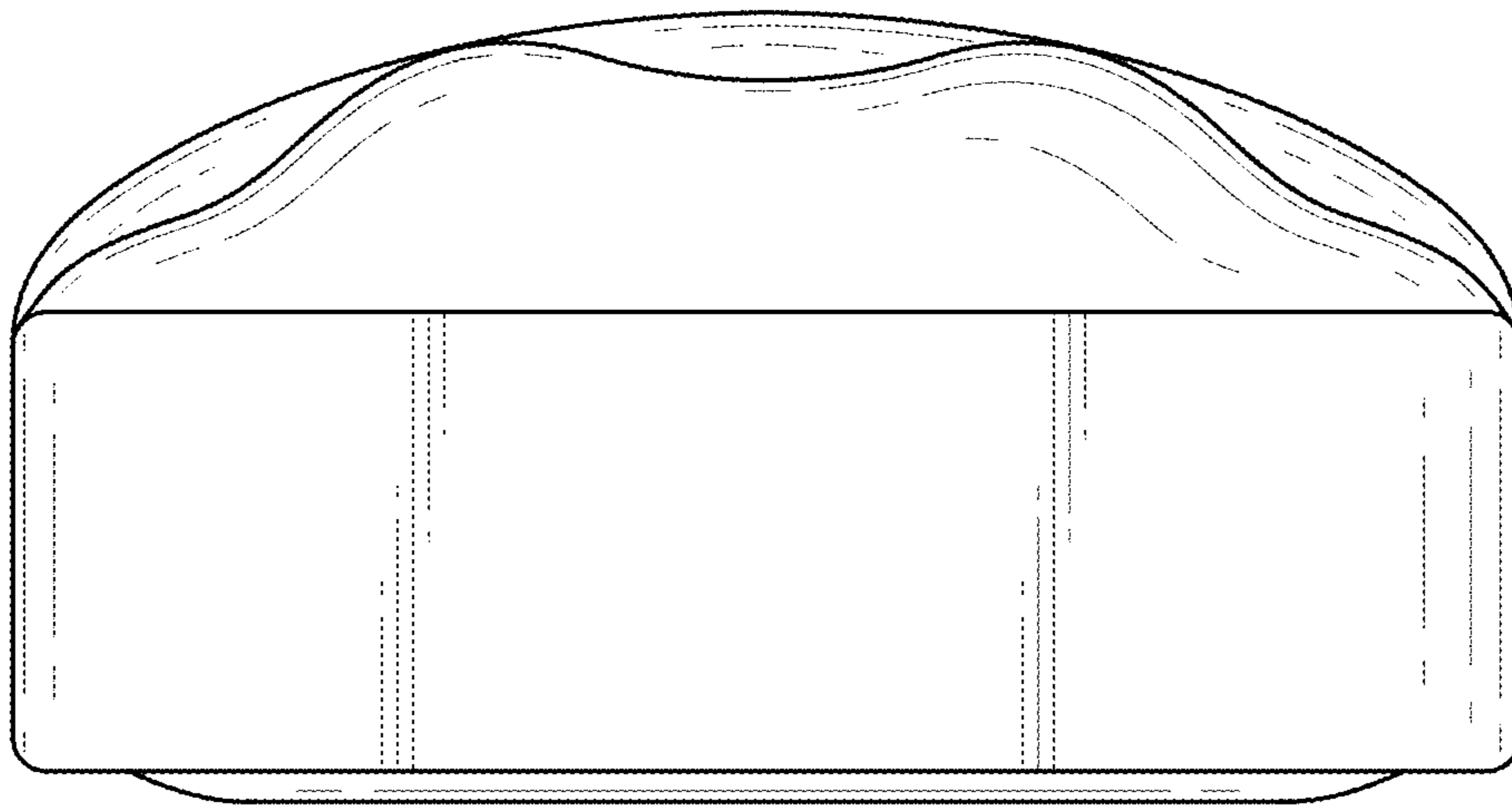


FIG. 9

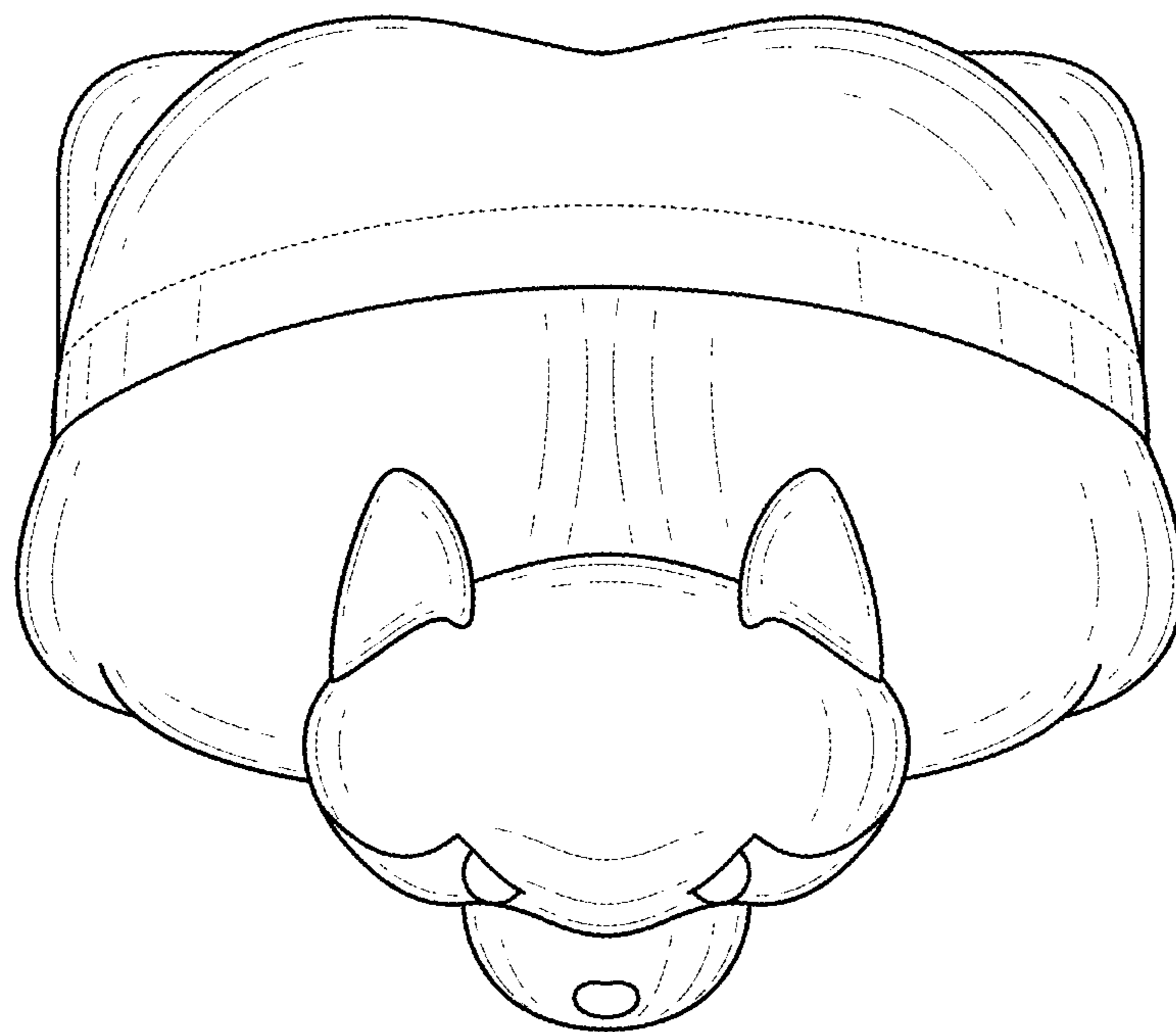


FIG. 10