

US00D923965S

(12) **United States Design Patent** (10) **Patent No.:** **US D923,965 S**
Eads (45) **Date of Patent:** **** Jul. 6, 2021**

(54) **TOWEL BAR**

(71) Applicant: **DELTA FAUCET COMPANY,**
Indianapolis, IN (US)

(72) Inventor: **Thad Eads,** Urbana, IN (US)

(73) Assignee: **DELTA FAUCET COMPANY,**
Indianapolis, IN (US)

(**) Term: **15 Years**

(21) Appl. No.: **29/683,594**

(22) Filed: **Mar. 14, 2019**

(51) **LOC (13) Cl.** **06-04**

(52) **U.S. Cl.**
USPC **D6/548**

(58) **Field of Classification Search**
USPC D6/548, 512-518, 519-525, 546, 547,
D6/549-550, 323, 553; D8/300,
D8/315-321, 354, 363, 373, 380;
D25/45; 108/28-29; 211/13.1, 16, 85.5,
211/86.01, 87.01, 88.04, 100, 105.1,
211/105.2, 106, 113, 123, 181.1,
211/182-183; 242/570, 590, 595-598;
248/49, 175, 176.1, 200, 201, 205.1, 251,
248/302, 309.1, 315
CPC A47K 10/3836; A47K 10/38; A47K 10/04;
A47K 2201/02

See application file for complete search history.

(56) **References Cited**

U.S. PATENT DOCUMENTS

D159,513 S *	8/1950	Pease	D6/548
D422,171 S *	4/2000	Mahlmann	D6/548
D450,510 S *	11/2001	Gottwald	D6/548
D571,592 S *	6/2008	Bickler	D6/548
D590,645 S *	4/2009	Weststrate	D6/548
D613,983 S *	4/2010	Klein	D6/548
D617,593 S *	6/2010	Cohen	D6/548
D775,478 S *	1/2017	Lievore	D6/323

* cited by examiner

Primary Examiner — Mark Booker

(74) *Attorney, Agent, or Firm* — Nirav D. Parikh; Edgar A. Zarins

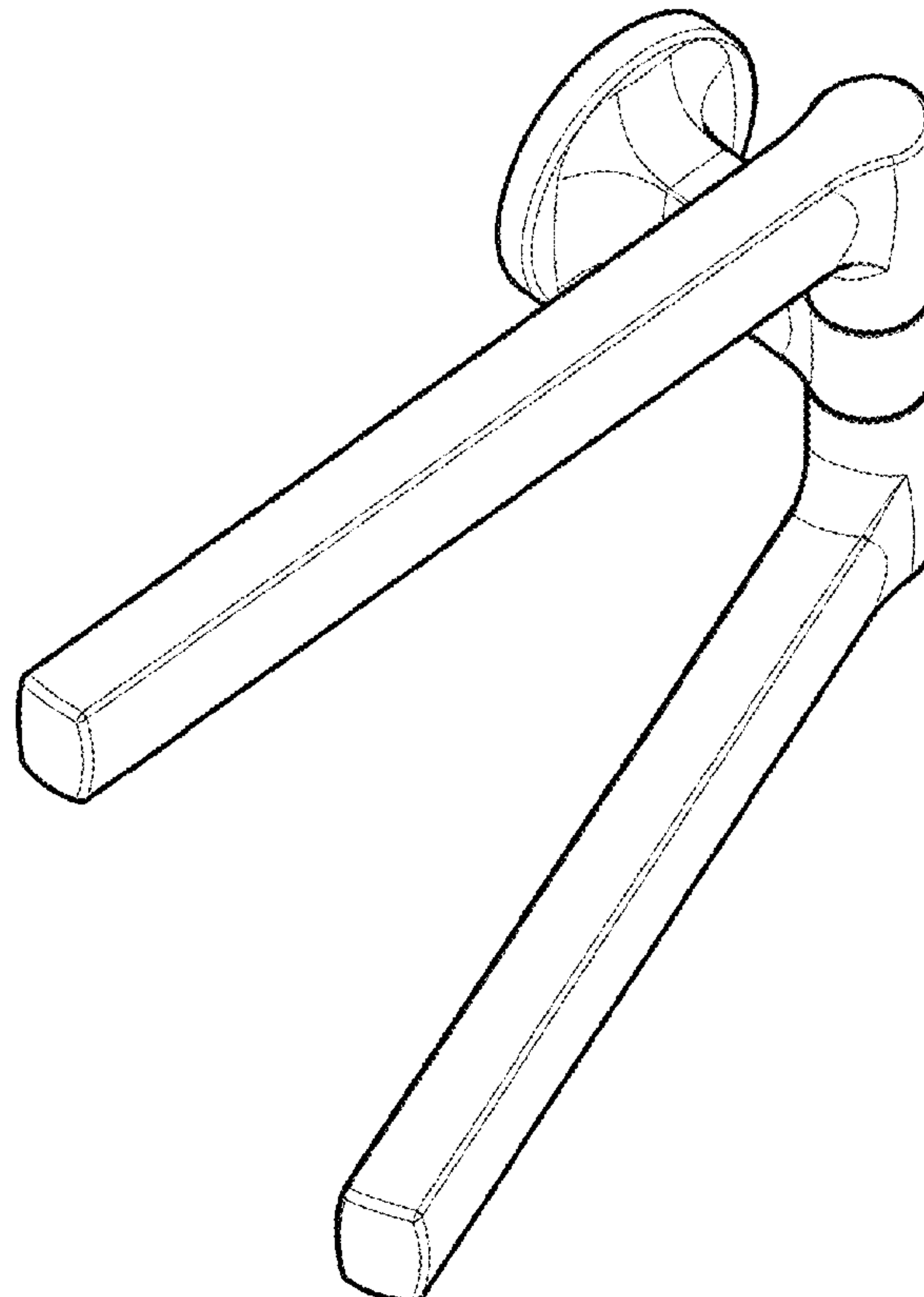
(57) **CLAIM**

The ornamental design for a towel bar, as shown and described.

DESCRIPTION

FIG. 1 is a front perspective view of a towel bar showing my new design;
FIG. 2 is a rear perspective view thereof;
FIG. 3 is a front elevational view thereof;
FIG. 4 is a left side view thereof;
FIG. 5 is a rear view thereof;
FIG. 6 is a right side view thereof;
FIG. 7 is a top plan view thereof; and,
FIG. 8 is a bottom view thereof.

1 Claim, 4 Drawing Sheets



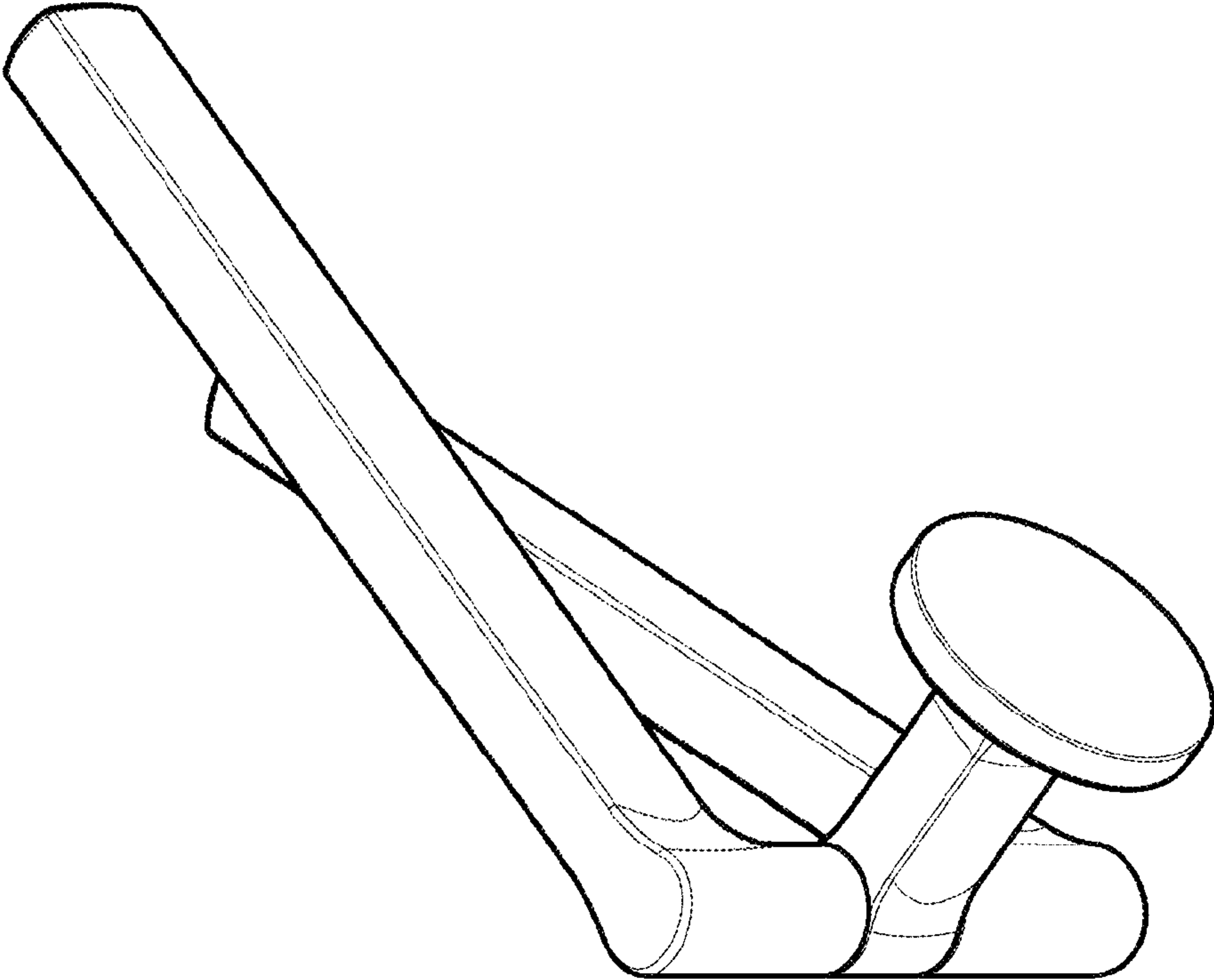


FIG - 2

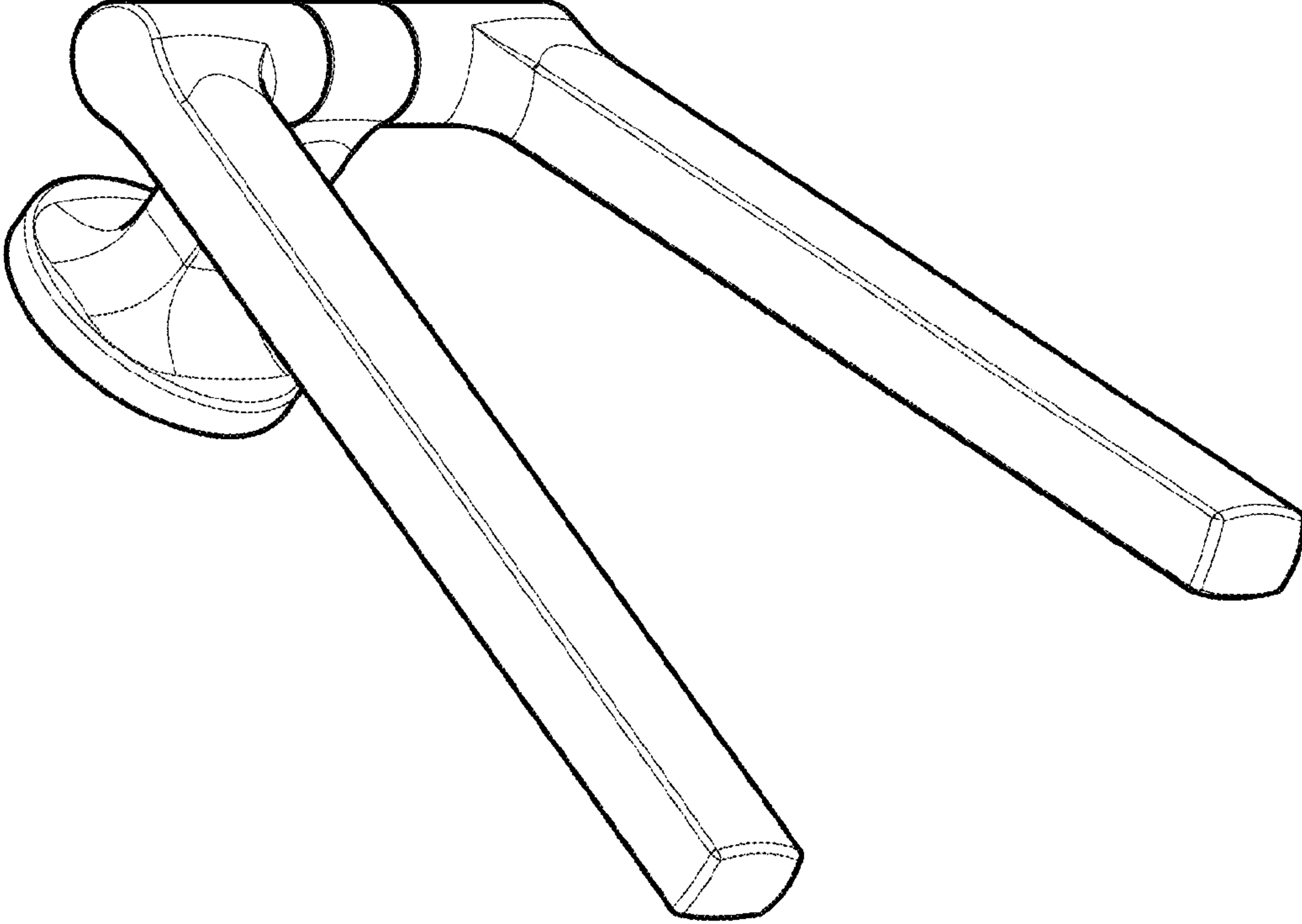


FIG - 1

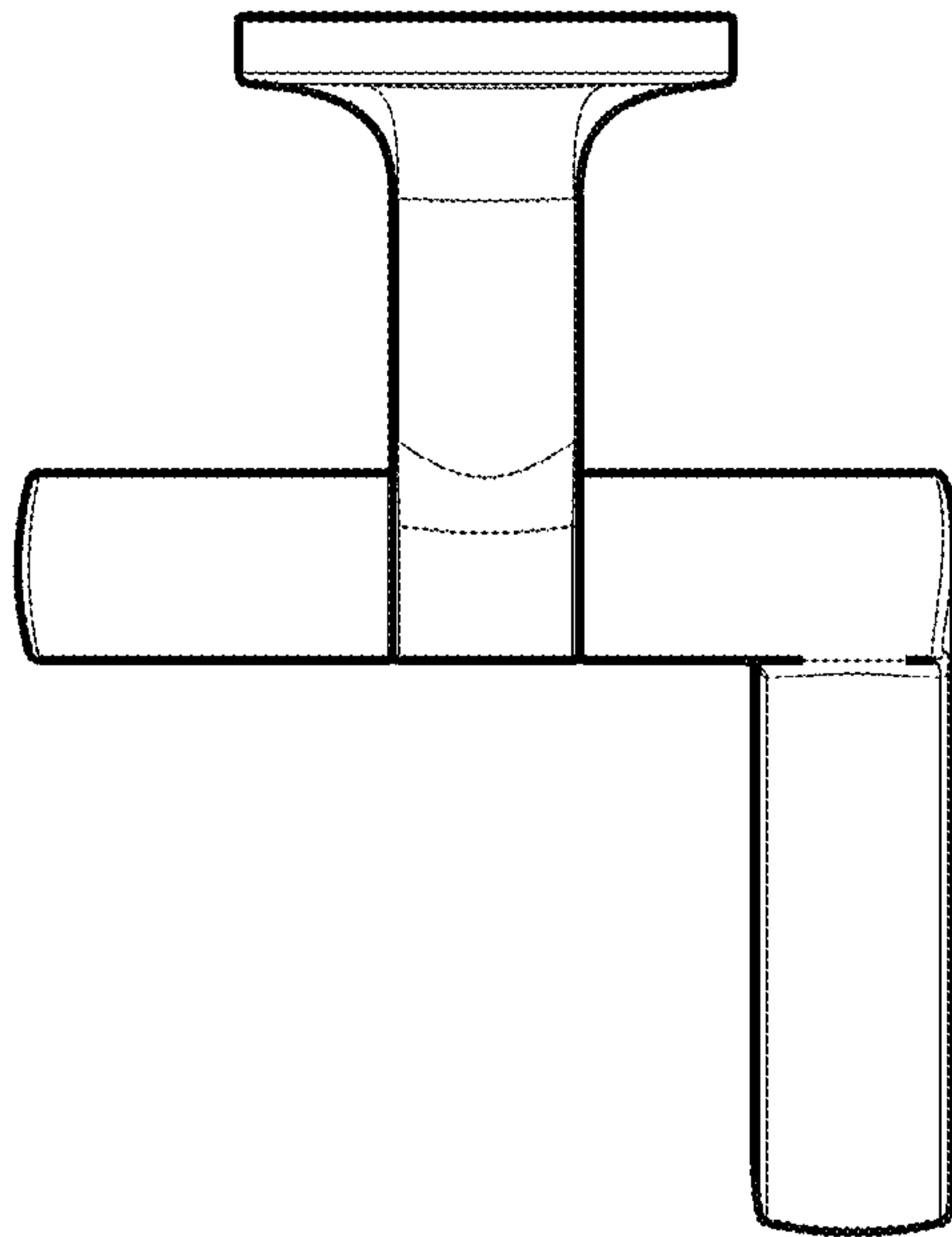


FIG - 4

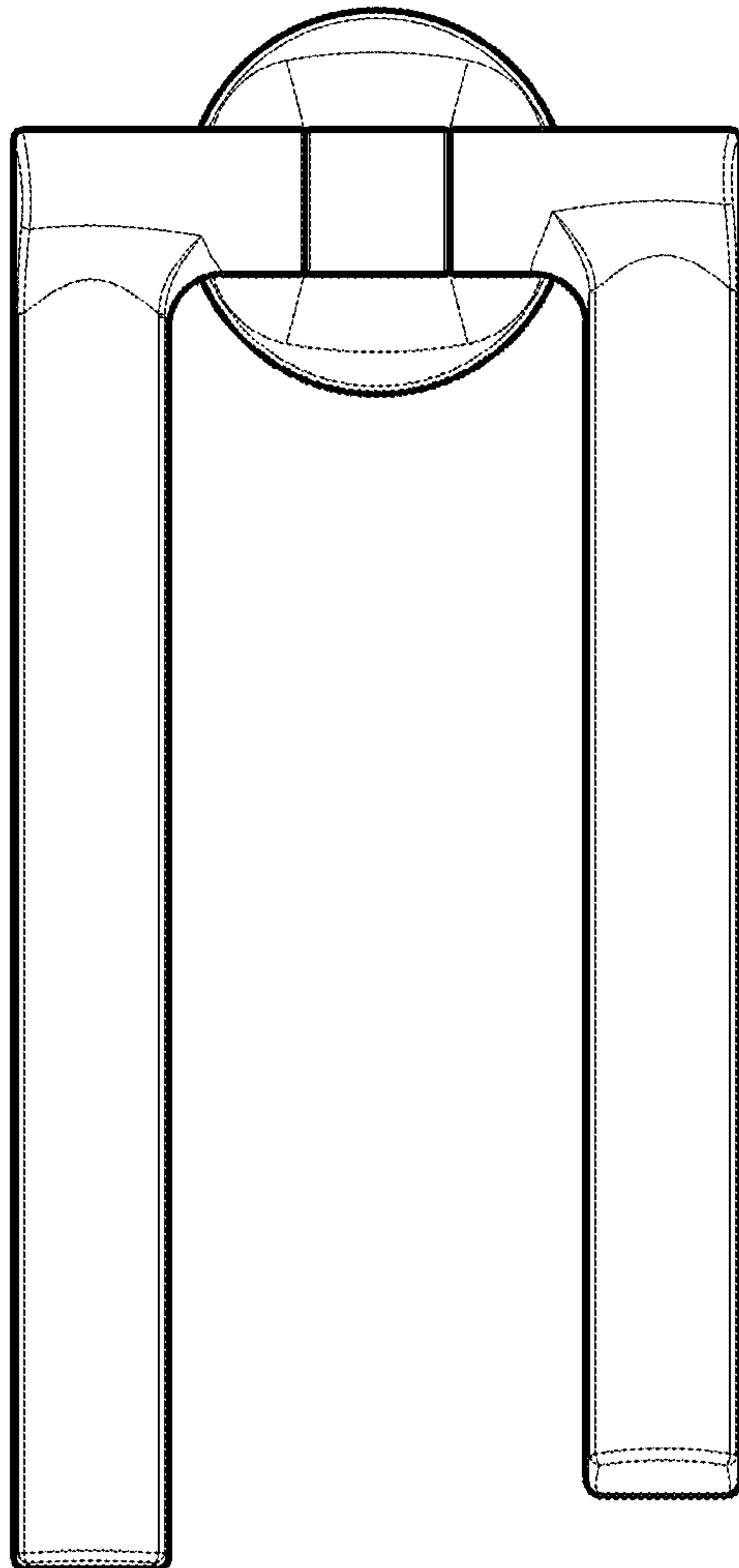


FIG - 3

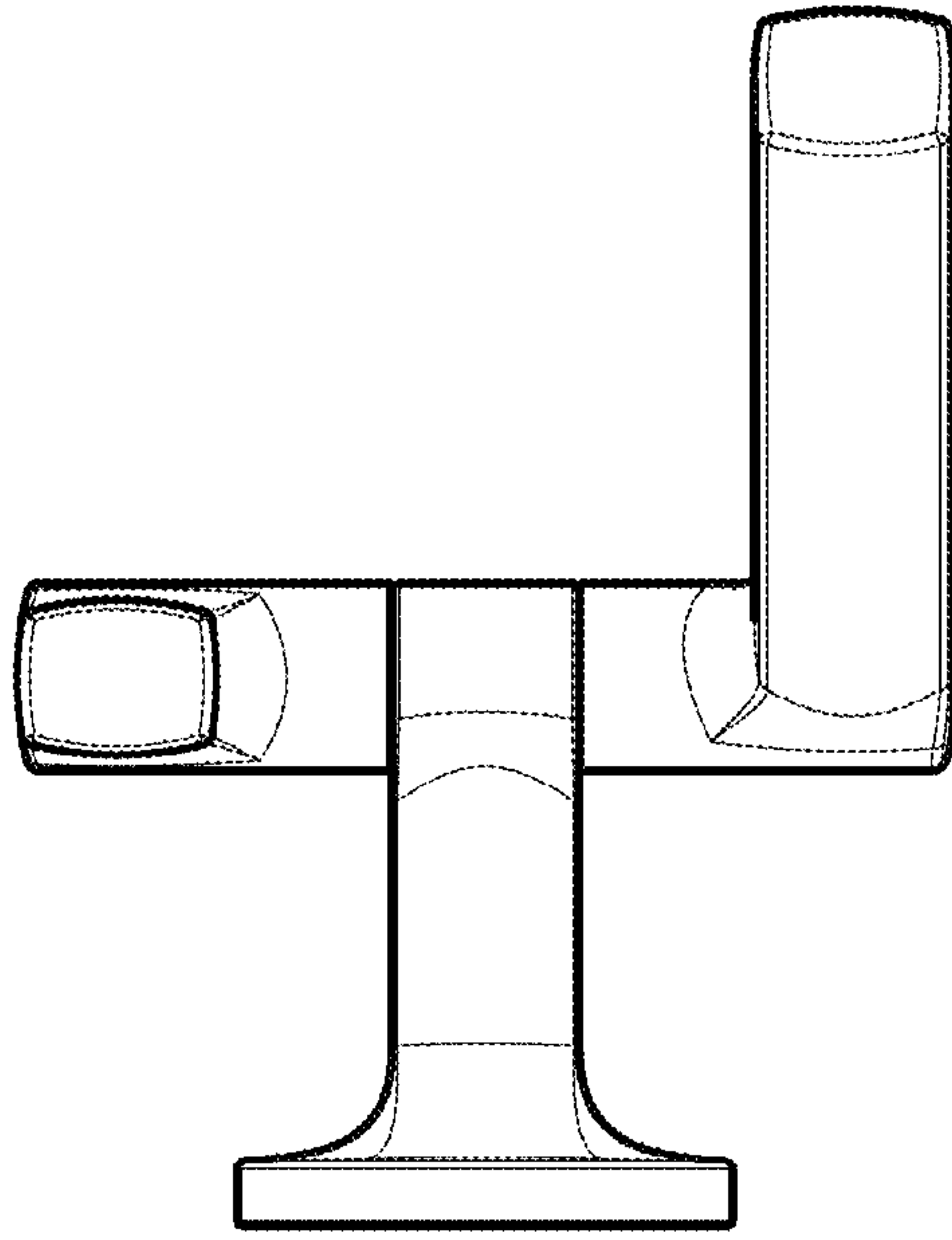


FIG - 6

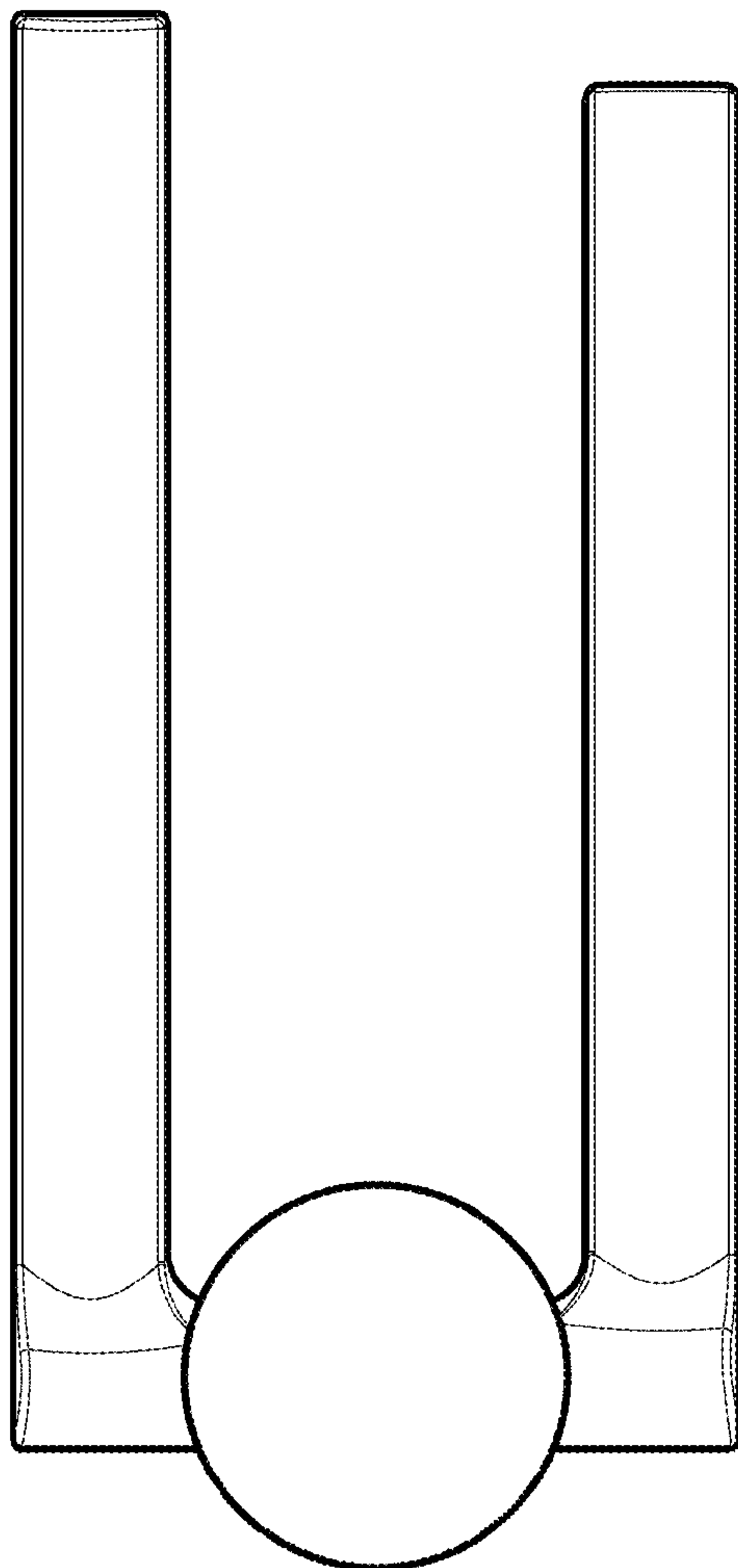


FIG - 5

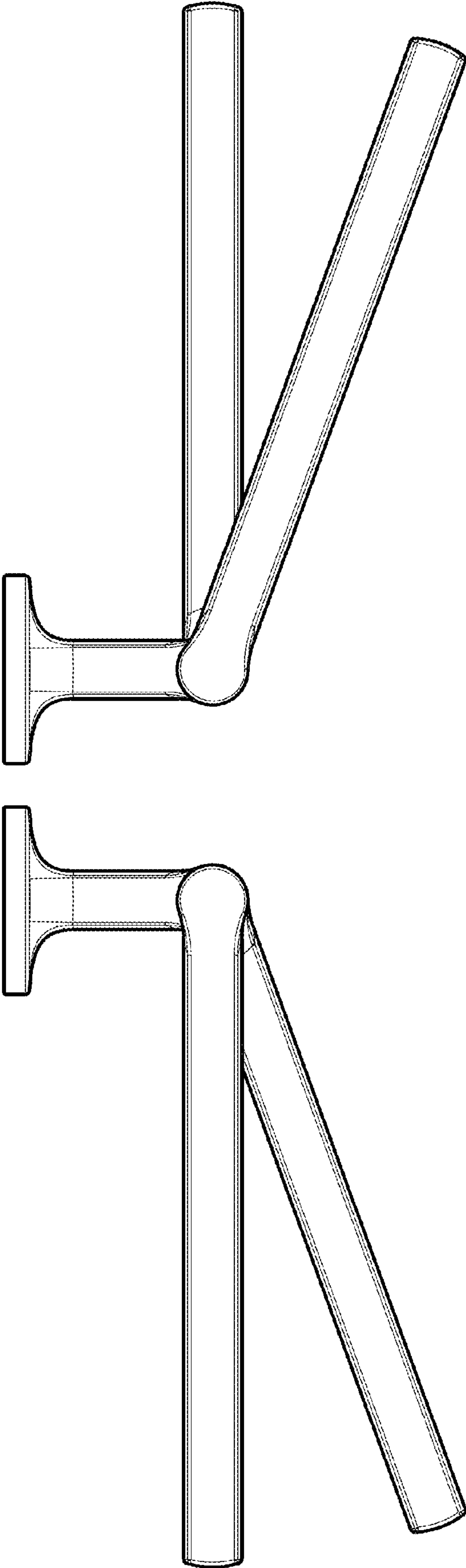


FIG - 8

FIG - 7