



US00D923964S

(12) **United States Design Patent** (10) **Patent No.:** **US D923,964 S**  
**Seum et al.** (45) **Date of Patent:** **\*\* Jul. 6, 2021**

(54) **TOWEL BAR**  
(71) Applicant: **Grohe AG**, Hemer (DE)  
(72) Inventors: **Michael Seum**, Duesseldorf (DE);  
**Jacob Nitz**, Brooklyn, NY (US)  
(73) Assignee: **Grohe AG**, Hemer (DE)  
(\*\*) Term: **15 Years**  
(21) Appl. No.: **29/693,790**  
(22) Filed: **Jun. 5, 2019**  
(30) **Foreign Application Priority Data**  
Dec. 5, 2018 (EM) ..... 005844156-0013  
Dec. 5, 2018 (EM) ..... 005844156-0014  
(51) **LOC (13) Cl.** ..... **06-04**  
(52) **U.S. Cl.**  
USPC ..... **D6/546**; D6/549  
(58) **Field of Classification Search**  
USPC ..... D6/546-550, 512-525; 211/13.1, 16,  
211/85.5, 86.01, 87.01, 88.04, 100, 105.1,  
211/105.2, 106, 113, 123, 181.1,  
211/182-183; 248/49, 175, 176.1, 200,  
248/201, 205.1, 251, 302, 309.1, 315;  
242/570, 590, 595-598; D8/300,  
D8/315-321, 354, 363, 373, 380;  
108/28-29  
CPC .... A47K 10/04; A47K 10/00; A47K 10/3836;  
A47K 10/38  
See application file for complete search history.

(56) **References Cited**  
**U.S. PATENT DOCUMENTS**  
2,622,743 A \* 12/1952 Ross ..... A47F 5/0876  
211/123  
D261,337 S \* 10/1981 Fink ..... D6/549

4,465,198 A \* 8/1984 Martin ..... A47K 10/04  
211/105.3  
D276,387 S \* 11/1984 Conti ..... D6/549  
D314,108 S \* 1/1991 Chap ..... D6/523  
D327,597 S \* 7/1992 Emery ..... D6/546  
D340,377 S \* 10/1993 Brazis ..... D6/549  
D360,095 S \* 7/1995 Wang ..... D6/548  
D364,768 S \* 12/1995 Moon ..... D6/549  
D379,920 S \* 6/1997 Bozzo ..... D8/368  
6,024,231 A \* 2/2000 Bates ..... A47K 10/04  
211/105.1  
D424,403 S \* 5/2000 Workman ..... D8/302  
(Continued)

**OTHER PUBLICATIONS**

Build.com, Grohe Defined 24" towel bar, Jun. 8, 2020, <https://www.build.com/grohe-40-971/s1604917?uid=3829736> (Year: 2020).\*

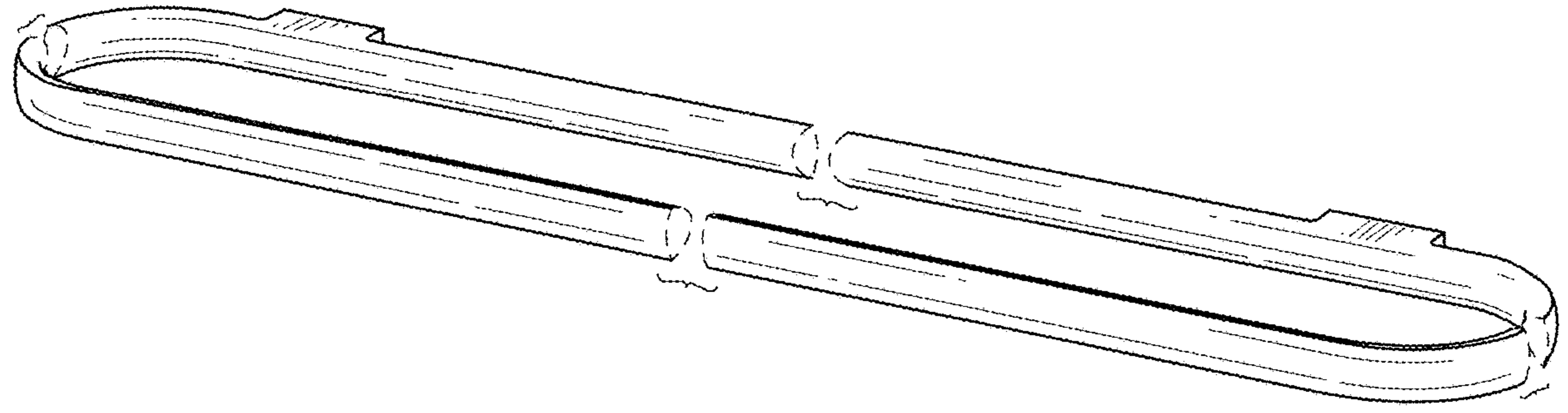
*Primary Examiner* — Nathan M Johnston  
(74) *Attorney, Agent, or Firm* — Muncy, Geissler, Olds & Lowe, P.C.

(57) **CLAIM**  
The ornamental design for a towel bar, as shown and described.

**DESCRIPTION**

FIG. 1 is a front perspective view of a towel bar, according to the present invention.  
FIG. 2 is a front view of the towel bar, of FIG. 1.  
FIG. 3 is a rear view of the towel bar, of FIG. 1.  
FIG. 4 is a left side view of the towel bar, of FIG. 1.  
FIG. 5 is a right side view of the towel bar, of FIG. 1.  
FIG. 6 is a top view of the towel bar, of FIG. 1; and, FIG. 7 is a bottom view of the towel bar, of FIG. 1.  
The broken lines show portions of the design that form no part of the claimed design  
The towel bar is shown with symbolic breaks in its length and width. The appearance of any portion of the article between the break lines form no part of the claimed design.

**1 Claim, 6 Drawing Sheets**



(56)

**References Cited**

U.S. PATENT DOCUMENTS

D455,922	S	*	4/2002	Rafoth	.....	D6/513
D480,296	S	*	10/2003	Scola	.....	D8/373
D506,377	S	*	6/2005	Marzolf	.....	D8/300
D573,003	S	*	7/2008	Bogdan	.....	D8/307
D573,819	S	*	7/2008	Brinkerhoff	.....	D6/702
D573,825	S	*	7/2008	Rubin	.....	D6/546
D589,778	S	*	4/2009	Pratt	.....	D8/317
D599,567	S	*	9/2009	Kuo	.....	D6/320
D633,310	S	*	3/2011	Song	.....	D6/315
8,550,263	B2	*	10/2013	Martin	.....	A47K 1/08 211/105.3
D764,833	S	*	8/2016	Citterio	.....	D6/549
D785,367	S	*	5/2017	Eads	.....	D6/549
D812,929	S	*	3/2018	Garland	.....	D6/549
D821,845	S	*	7/2018	Garland	.....	D8/316

\* cited by examiner

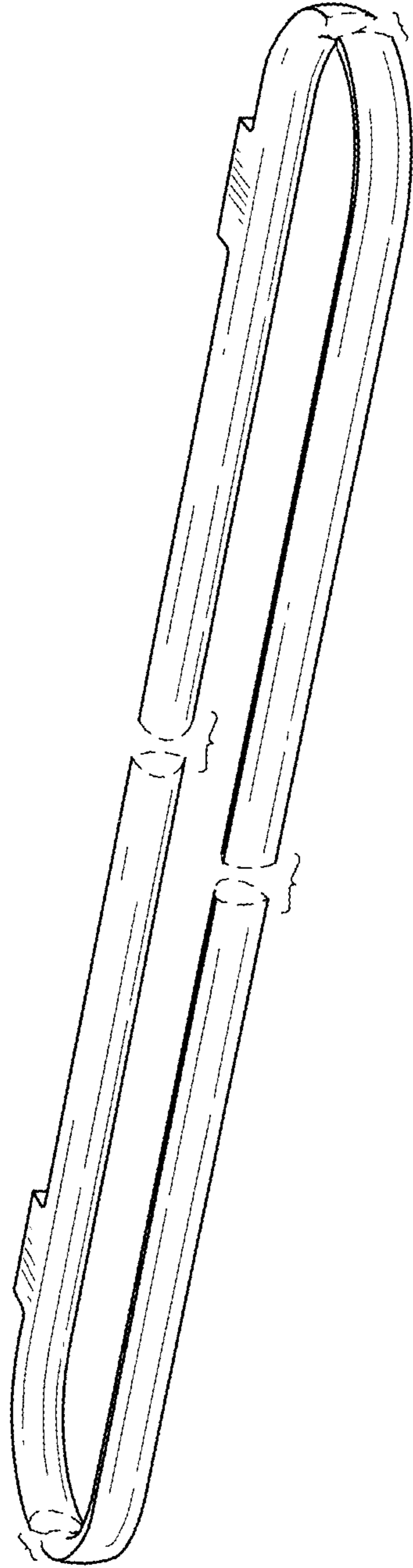


FIG.1

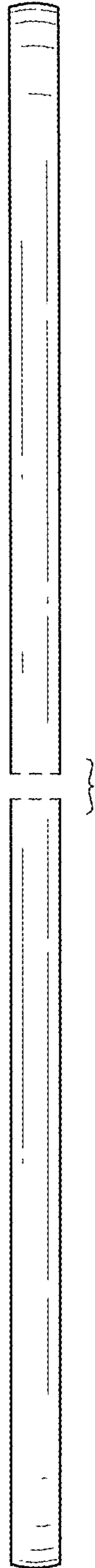


FIG.2

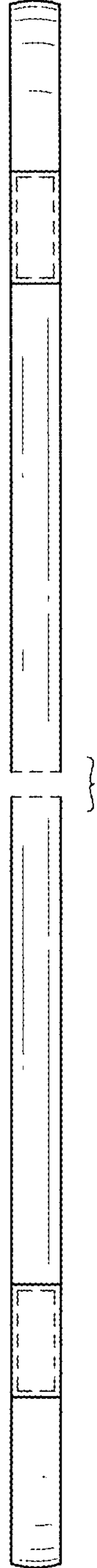


FIG.3



FIG.4



FIG.5

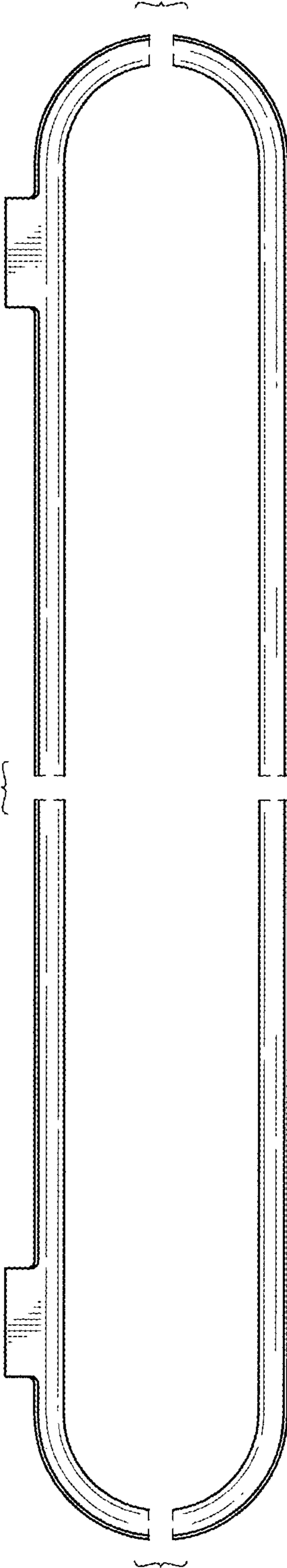


FIG.6

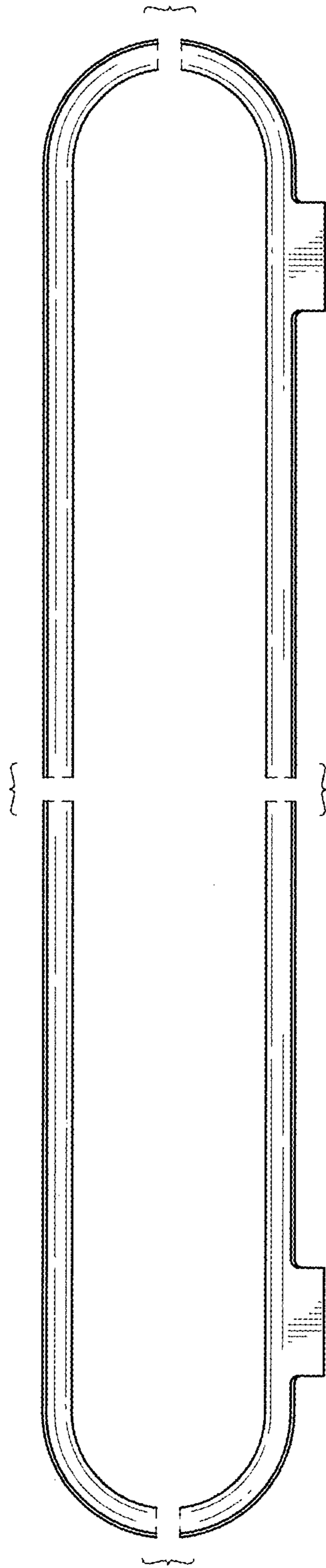


FIG.7