



US00D923959S

(12) **United States Design Patent** (10) **Patent No.:** **US D923,959 S**
Ghiorghie (45) **Date of Patent:** **** Jul. 6, 2021**

- (54) **HOLDER**
- (71) Applicant: **InterDesign, Inc.**, Solon, OH (US)
- (72) Inventor: **Radu Alexandru Ghiorghie**, Copley, OH (US)
- (73) Assignee: **InterDesign, Inc.**, Solon, OH (US)
- (**) Term: **15 Years**
- (21) Appl. No.: **29/754,469**
- (22) Filed: **Oct. 12, 2020**

D474,634 S *	5/2003	Ancona	D6/521
D541,564 S *	5/2007	Snell	D6/520
D582,709 S *	12/2008	Goodman	D6/521
D628,836 S *	12/2010	Guindi	D6/521
D653,889 S *	2/2012	Guindi	D6/521
D698,571 S *	2/2014	Tawil	D6/520
D758,755 S *	6/2016	Goodman	D6/521
D771,969 S *	11/2016	Hsu	D6/521
D787,226 S *	5/2017	Goodman	D6/521
D793,760 S *	8/2017	Goodman	D6/521
D794,977 S *	8/2017	Goodman	D6/521
D811,114 S *	2/2018	Goodman	D6/521
D811,115 S *	2/2018	Goodman	D6/521
D819,360 S *	6/2018	Goodman	D6/521
D821,779 S *	7/2018	Goodman	D6/521
D852,535 S *	7/2019	Goodman	D6/521

(Continued)

Related U.S. Application Data

- (60) Continuation of application No. 29/733,290, filed on Apr. 30, 2020, now Pat. No. Des. 898,407, which is a division of application No. 29/705,659, filed on Sep. 13, 2019, which is a continuation of application No. 29/648,998, filed on May 25, 2018, now Pat. No. Des. 862,922.

- (51) **LOC (13) Cl.** **20-02**
- (52) **U.S. Cl.**
USPC **D6/520; D6/521**

- (58) **Field of Classification Search**
USPC D6/515–523, 566, 552; D3/201, 304, D3/305, 306; 206/391; 211/13.1, 86.01, 211/87.01, 71.01, 181.1; 242/580, 590; 248/309.1; D34/1; D11/148; 220/489
CPC A47K 10/40; A47K 10/3836; A47K 10/22; A47K 10/38; A47K 2010/389; A47K 2010/3233; A47K 2010/3872
See application file for complete search history.

(56) **References Cited**

U.S. PATENT DOCUMENTS

D37,662 S *	11/1905	Jung	D3/306
D390,054 S *	2/1998	Goodman	D6/521
D412,803 S *	8/1999	Goodman	D6/521

Primary Examiner — Nathan M Johnston

(74) *Attorney, Agent, or Firm* — Calfee, Halter & Griswold LLP

(57) **CLAIM**

I claim the ornamental design for a holder, as shown and described.

DESCRIPTION

FIG. 1 is a front/right/top perspective view of a holder (a front/left/top perspective view would be a mirror image thereof);

FIG. 2 is a rear/left/bottom perspective view thereof (a rear/right/bottom perspective view would be a mirror image thereof);

FIG. 3 is a front elevational view thereof;

FIG. 4 is a rear elevational view thereof;

FIG. 5 is a left side elevational view thereof;

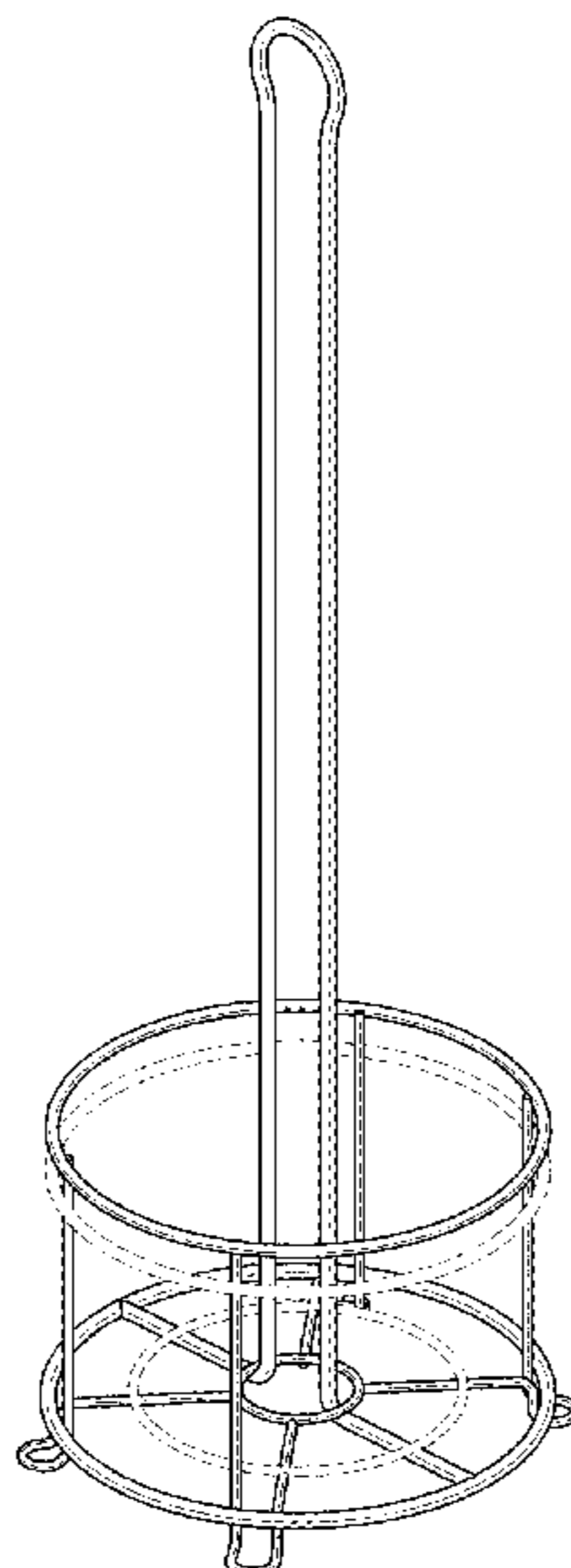
FIG. 6 is a right side elevational view thereof;

FIG. 7 is a top plan view thereof; and,

FIG. 8 is a bottom plan view thereof.

The broken lines depict portions of the holder that form no part of the claimed design.

1 Claim, 4 Drawing Sheets



(56)

References Cited

U.S. PATENT DOCUMENTS

D878,076 S *	3/2020	Xayoiphonh	D6/521
D885,080 S *	5/2020	Goodman	D6/521
D885,784 S *	6/2020	Dittrich	D6/521
D885,785 S *	6/2020	Wilson	D6/521
D885,786 S *	6/2020	Goodman	D6/521
D894,630 S *	9/2020	Gee, II	D6/521
D898,407 S *	10/2020	Ghiorghie	D6/520

* cited by examiner

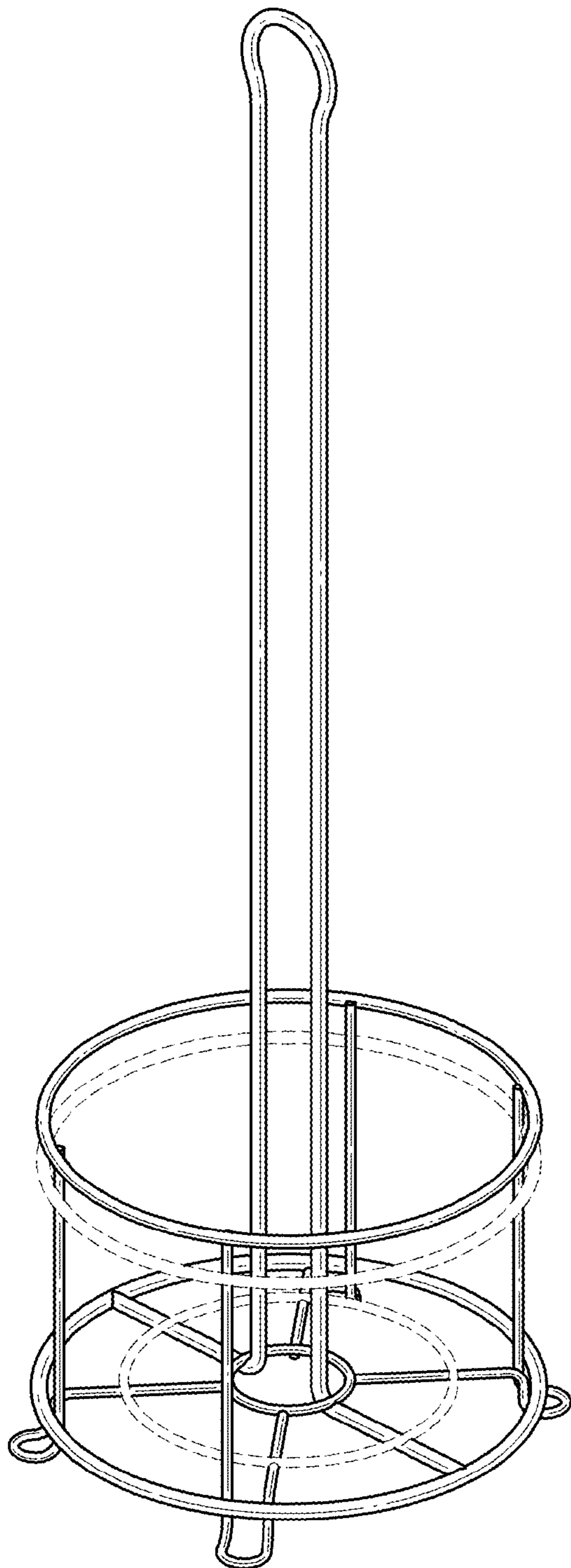


FIG. 1

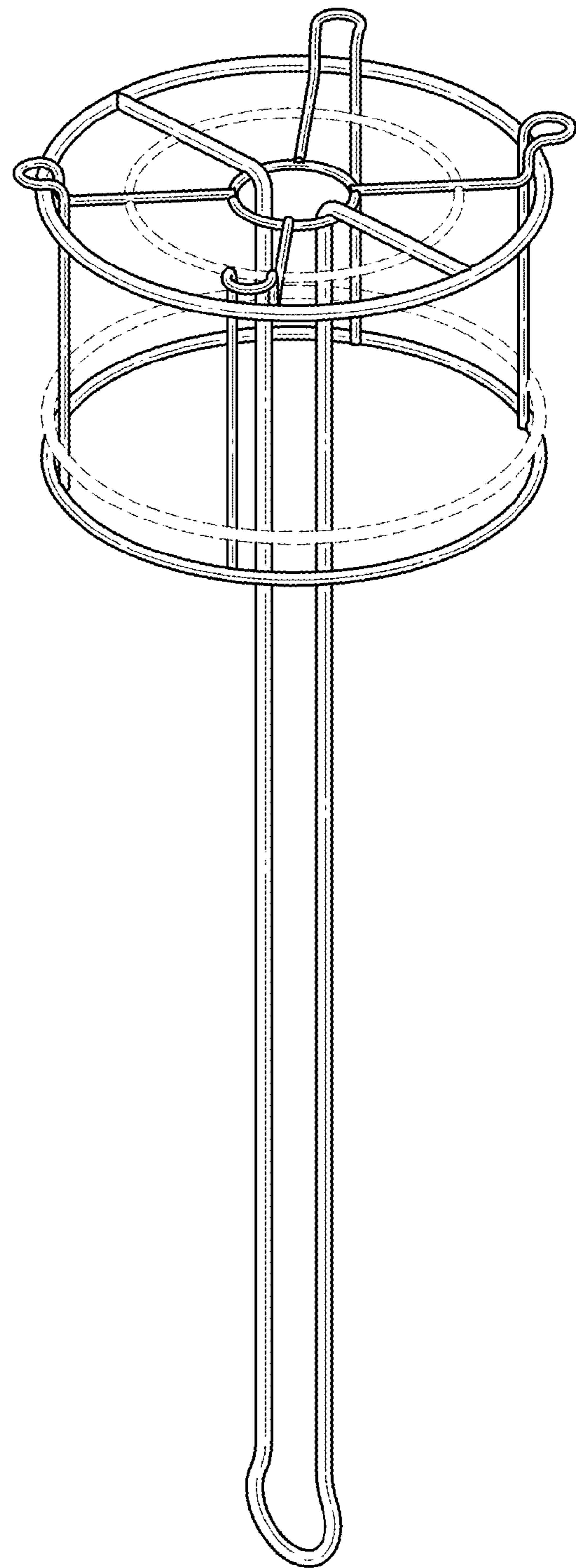


FIG. 2

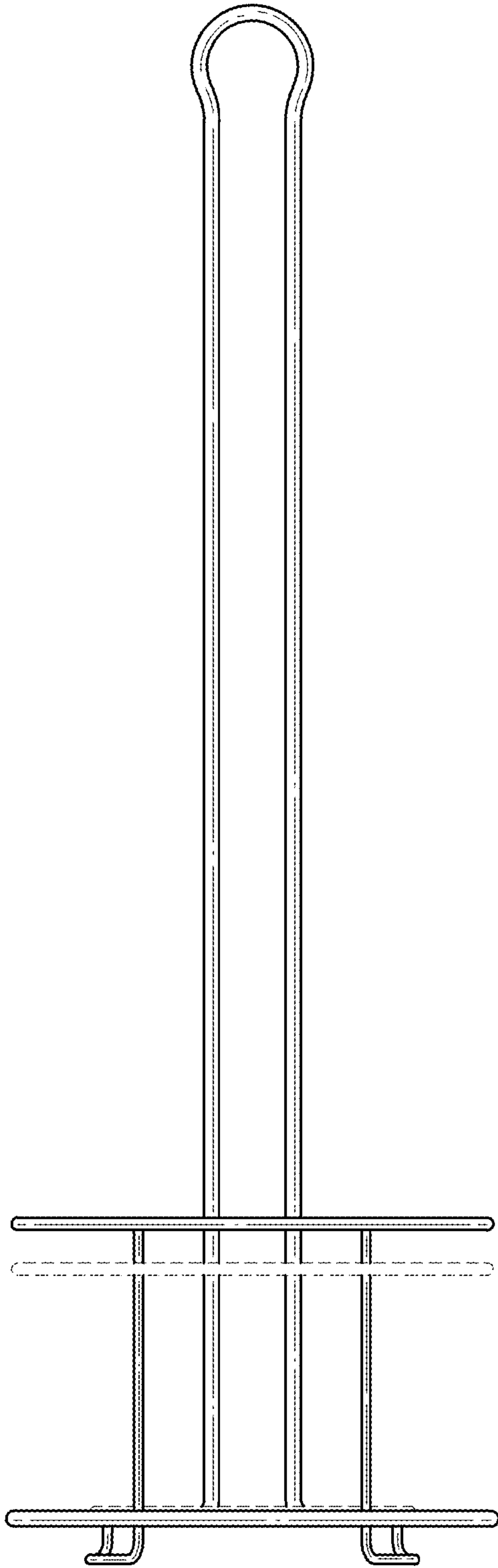


FIG. 3

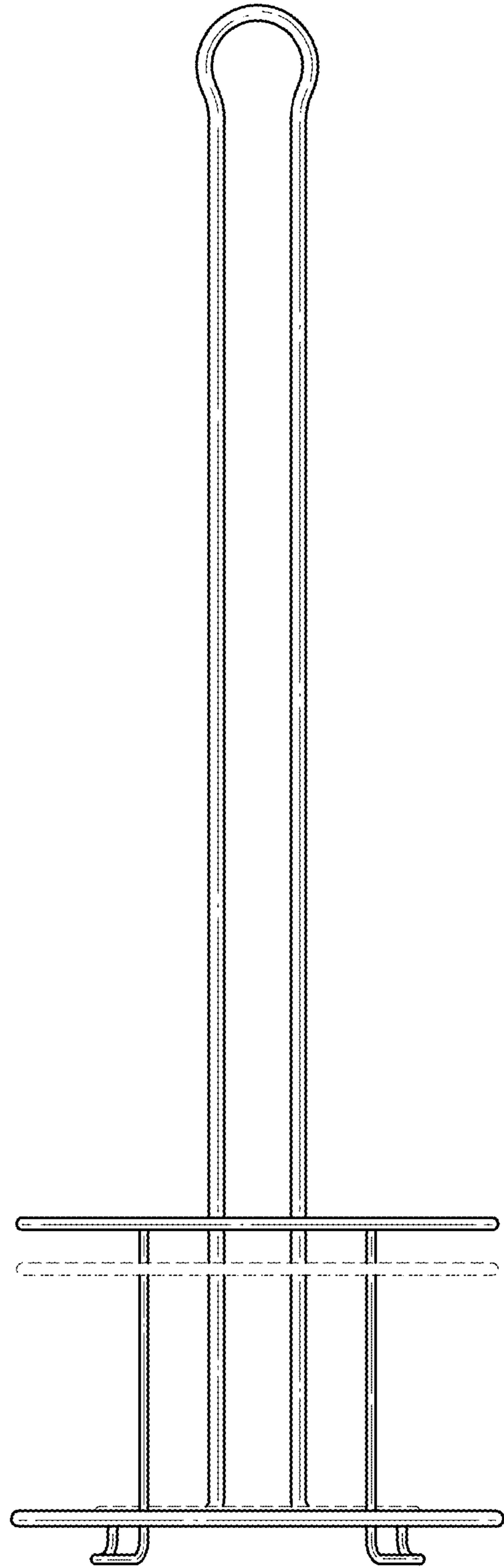


FIG. 4

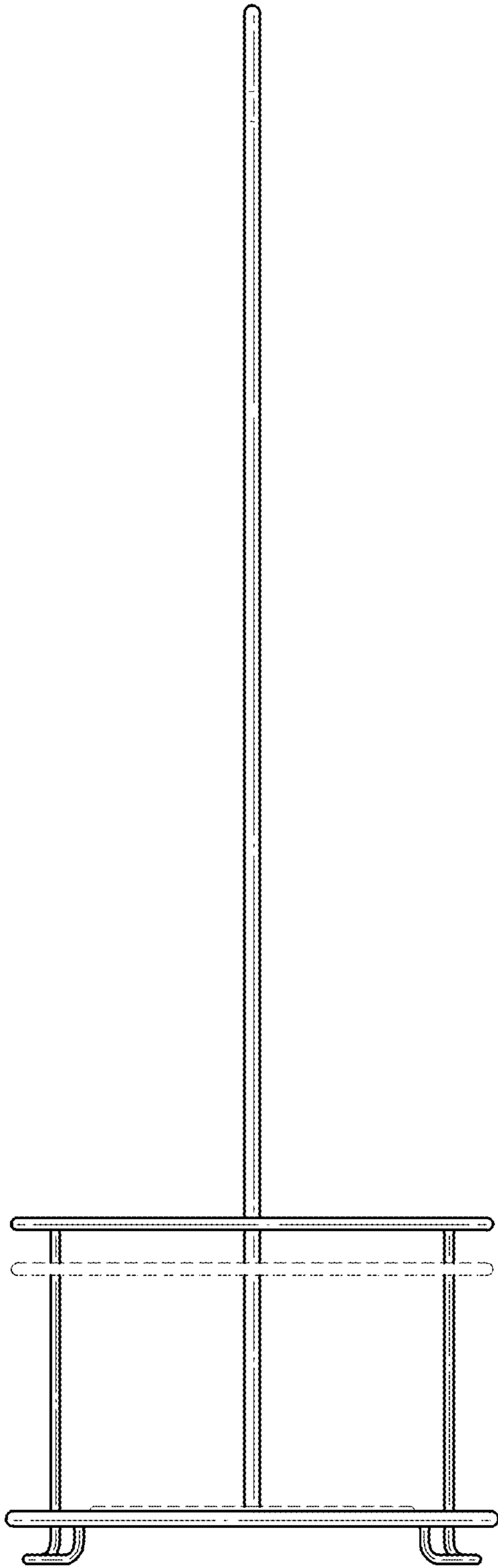


FIG. 5

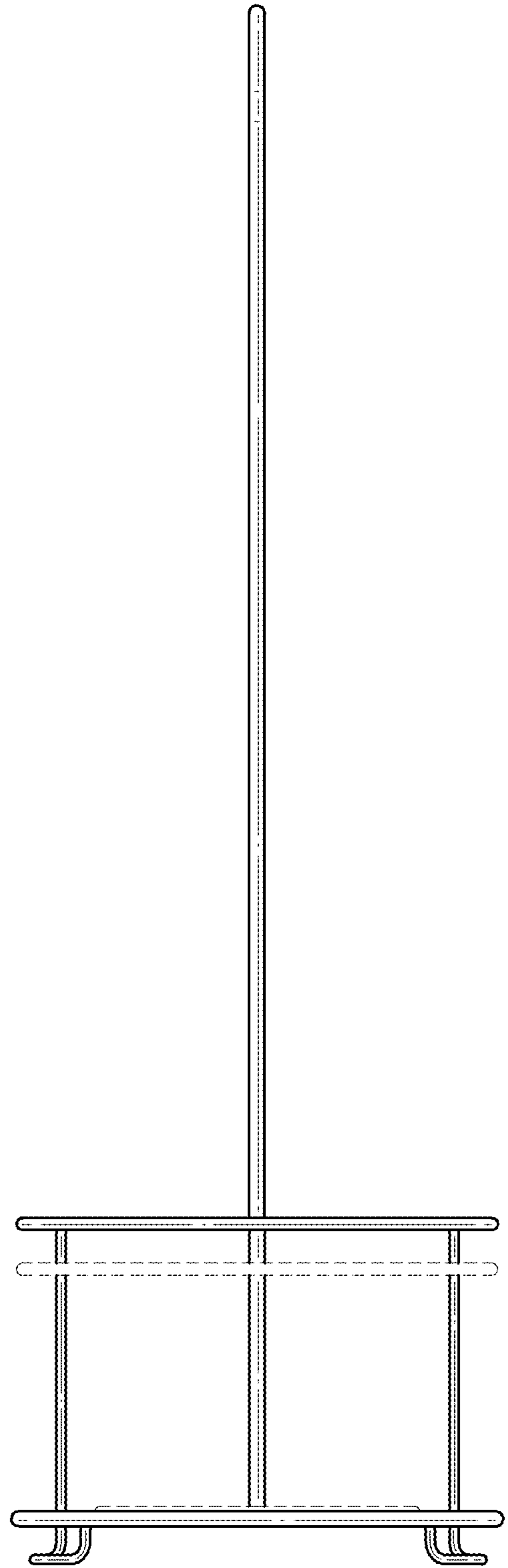


FIG. 6

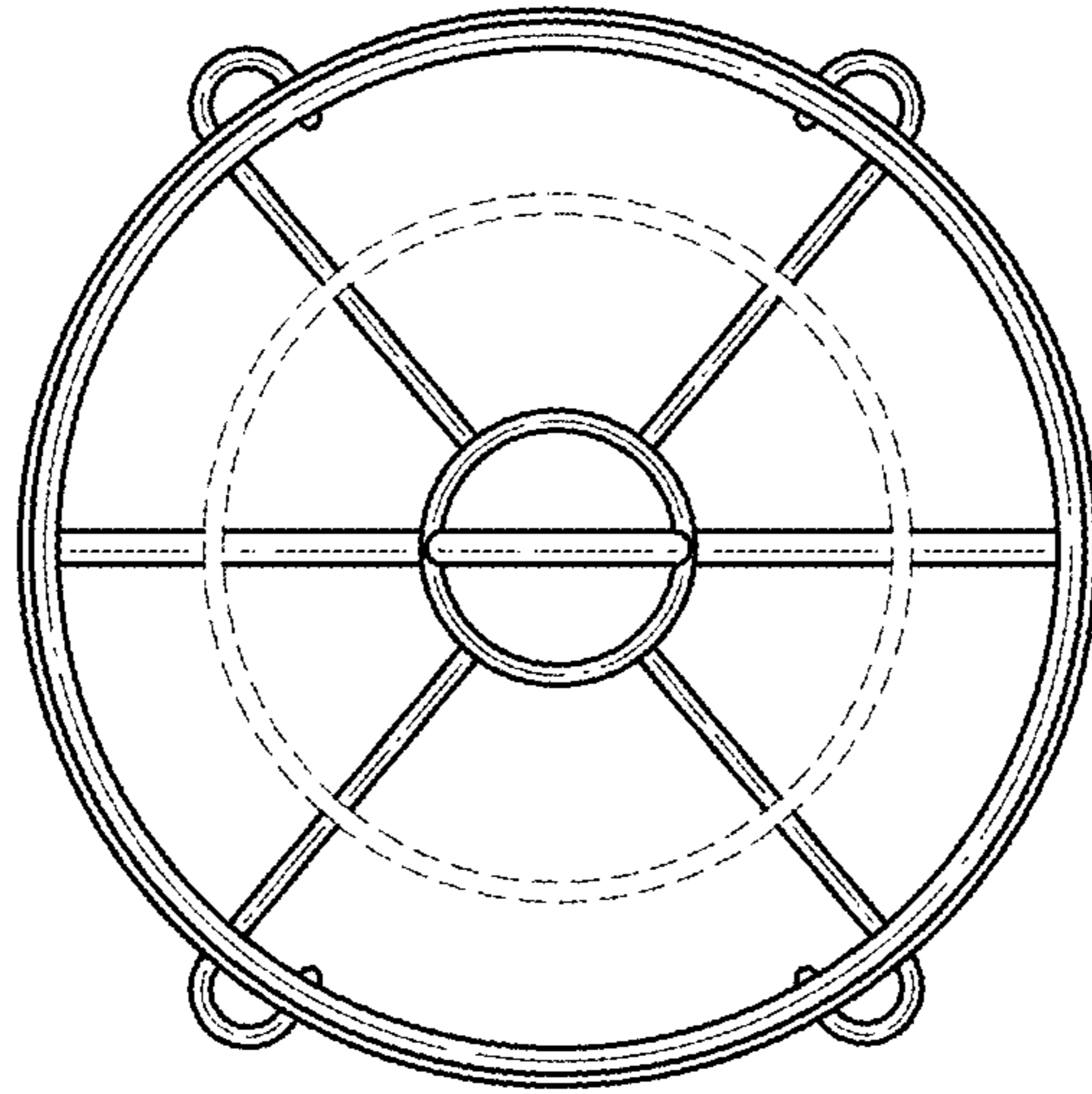


FIG. 7

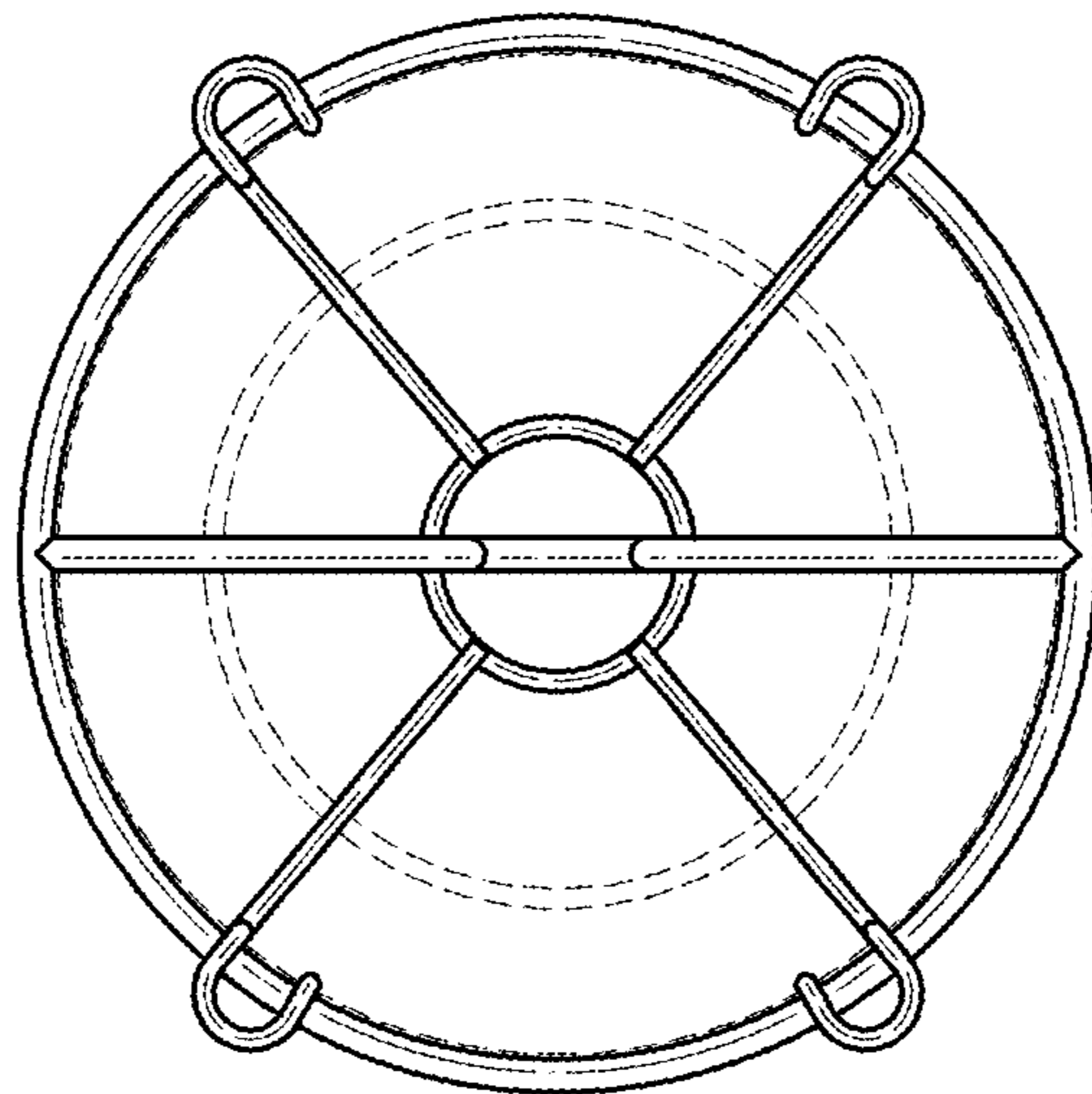


FIG. 8