



US00D923956S

(12) **United States Design Patent** (10) **Patent No.:** **US D923,956 S**
Xia (45) **Date of Patent:** **** Jul. 6, 2021**

(54) **FOLDING CHAIR**

FOREIGN PATENT DOCUMENTS

(71) Applicant: **Zhengyang Xia**, Lianyungang (CN)

CA 2941093 A1 * 9/2015 A47C 3/12
WO WO-2019132127 A1 * 7/2019 A47C 1/14

(72) Inventor: **Zhengyang Xia**, Lianyungang (CN)

(**) Term: **15 Years**

OTHER PUBLICATIONS

(21) Appl. No.: **29/771,245**

Outdoor Portable Compact Chair—Embark, from google.com, Retrieved Date: May 17, 2021, p. 1, from https://www.google.com/shopping/product/15000159463927028074?q=folding+chairs+camping+heavy+duty&prds=epd:775258845705780794,prmr:3,eto:775258845705780794_1,rto:1,tpim:CILi7J7E_9Sz7wEQ8PWhic2T691gGLCi9QsiA1VTRCi_4JyFBjC-Tg&utm_medium=tu_prop&utm_content=eid-lsjeuxoeqt&utm_campaign=10 (Year: 2021).*

(22) Filed: **Feb. 22, 2021**

(51) **LOC (13) Cl.** **06-01**

(52) **U.S. Cl.**

USPC **D6/368**

(58) **Field of Classification Search**

USPC D6/334-336, 368, 373, 374, 375, 376, D6/379, 380, 716, 716.1, 716.2, 716.3, D6/716.4

CPC .. A47C 4/00; A47C 4/28; A47C 4/283; A47C 4/30; A47C 4/42; A47C 4/44; A47C 4/46; A47C 4/48; A47C 5/04; A47C 5/10; A47C 9/10; A47C 9/105; A47C 1/14

See application file for complete search history.

* cited by examiner

Primary Examiner — Mimoso De
(74) *Attorney, Agent, or Firm* — W&K IP

(57) **CLAIM**

The ornamental design for a folding chair, as shown and described.

(56) **References Cited**

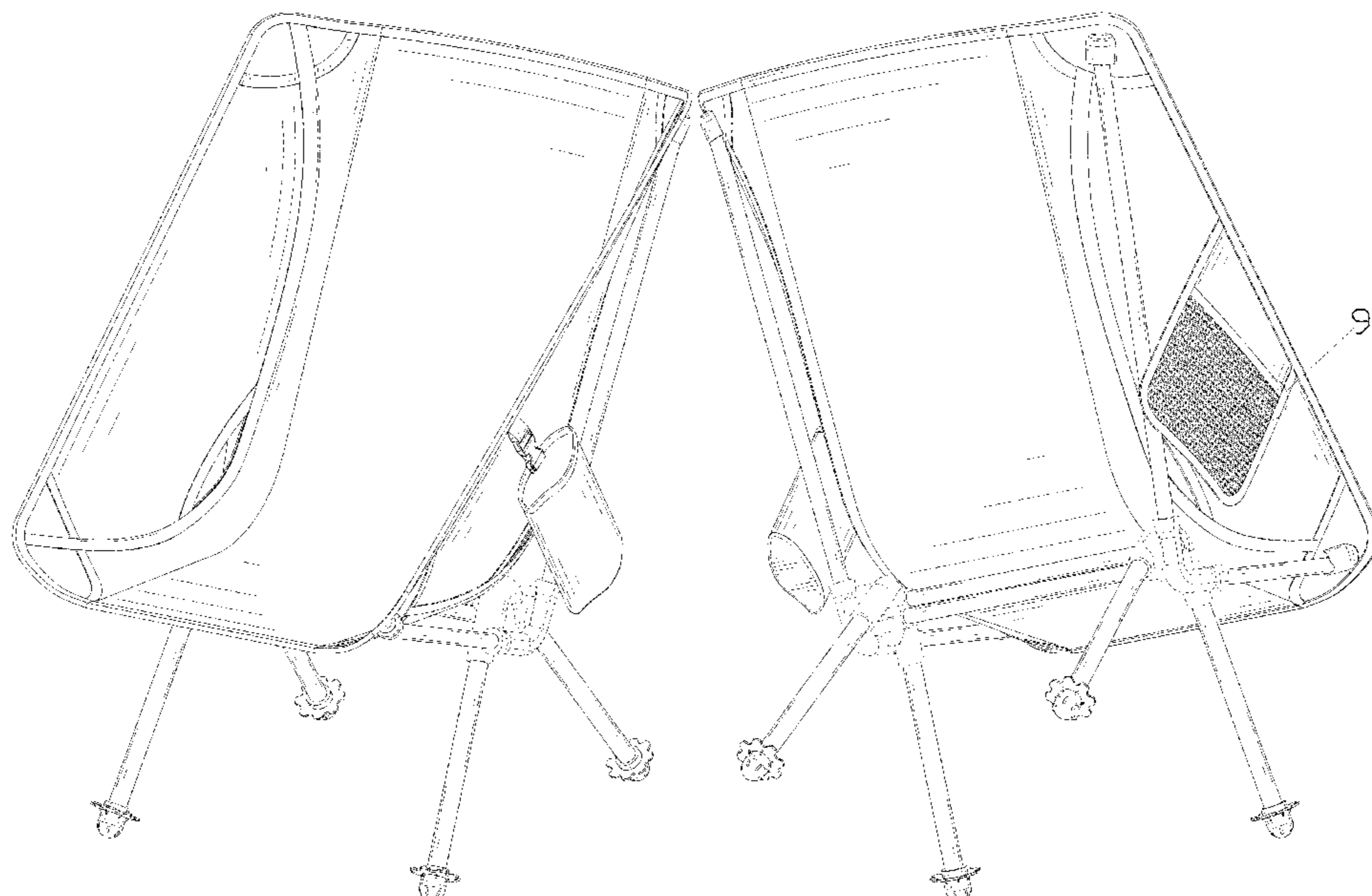
DESCRIPTION

U.S. PATENT DOCUMENTS

D528,317 S *	9/2006	Tseng	D6/368
9,554,653 B2 *	1/2017	Lee	A47C 4/42
9,854,914 B2 *	1/2018	Yoo	A47C 4/44
9,930,966 B2 *	4/2018	Yang	A47C 4/28
10,010,179 B1 *	7/2018	Stump	A47C 9/105
D833,768 S *	11/2018	Jin	D6/368
10,342,351 B2 *	7/2019	Lenhart	A47C 4/42
D859,020 S	9/2019	Bisaglia		
D889,155 S *	7/2020	Xia	D6/368
D897,712 S	10/2020	Hu		
2012/0104805 A1 *	5/2012	Lah	A47C 9/105
				297/16.1
2016/0113402 A1 *	4/2016	Lee	A47C 4/42
				297/16.2

FIG. 1 is a perspective view of a folding chair showing my new design;
FIG. 2 is another perspective view thereof;
FIG. 3 is a front elevational view thereof;
FIG. 4 is a rear elevational view thereof;
FIG. 5 is a left side elevational view thereof;
FIG. 6 is a right side elevational view thereof;
FIG. 7 is a top plan view thereof;
FIG. 8 is a bottom plan view thereof; and,
FIG. 9 is an enlarged view of portion 9 shown in FIG. 2.
The broken lines in the drawings depict portions of the folding chair that form no part of the claimed design.

1 Claim, 9 Drawing Sheets



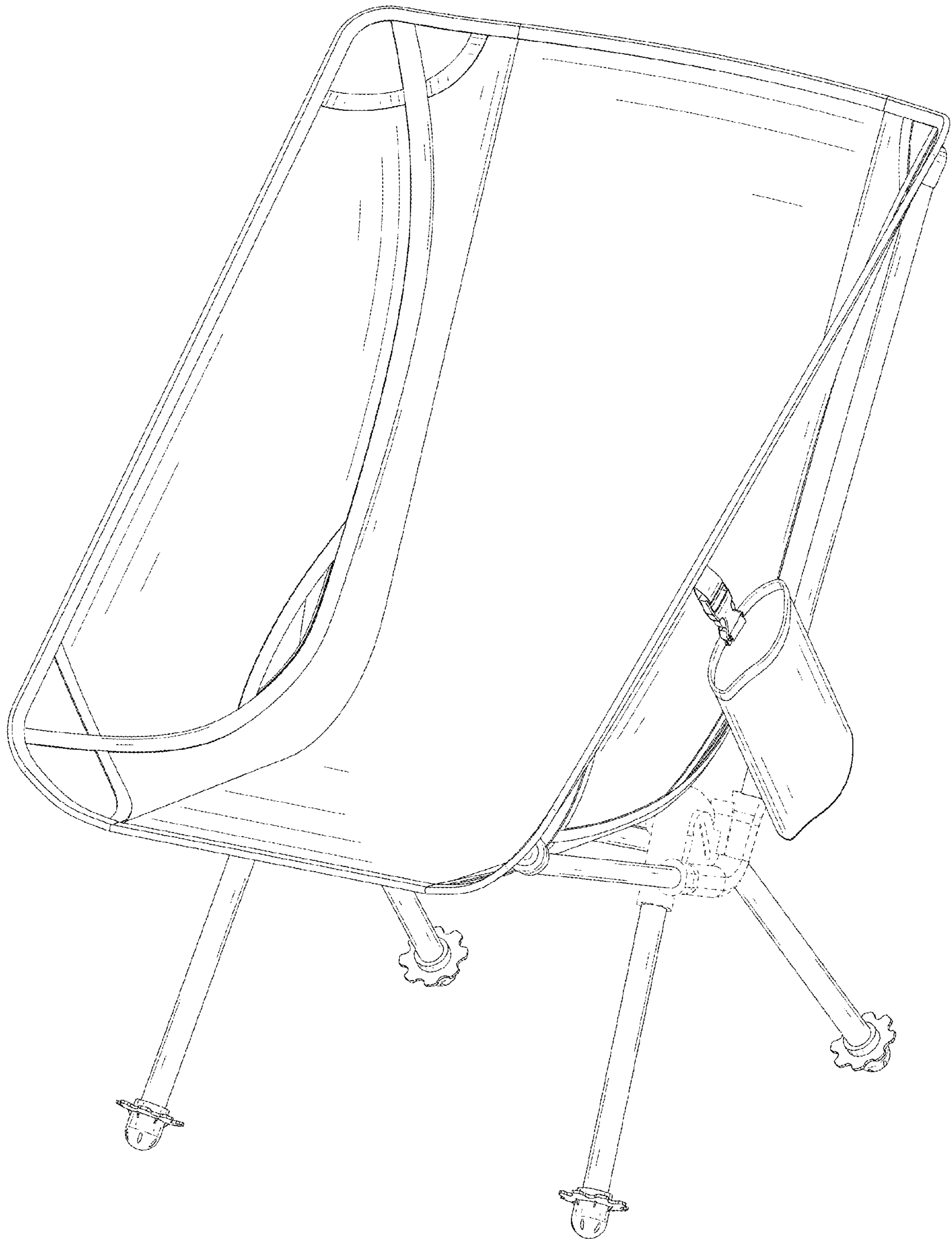


FIG. 1

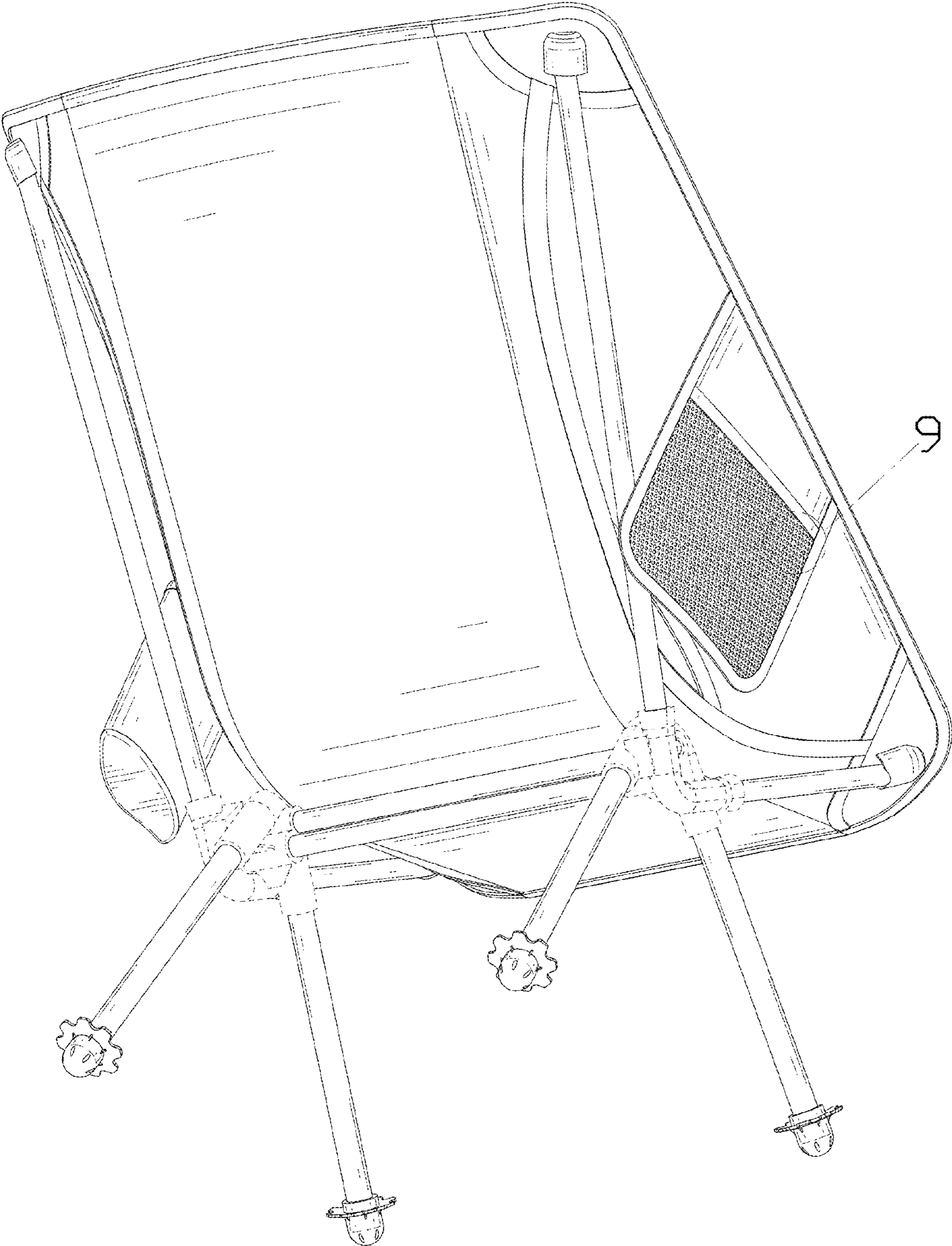


FIG. 2

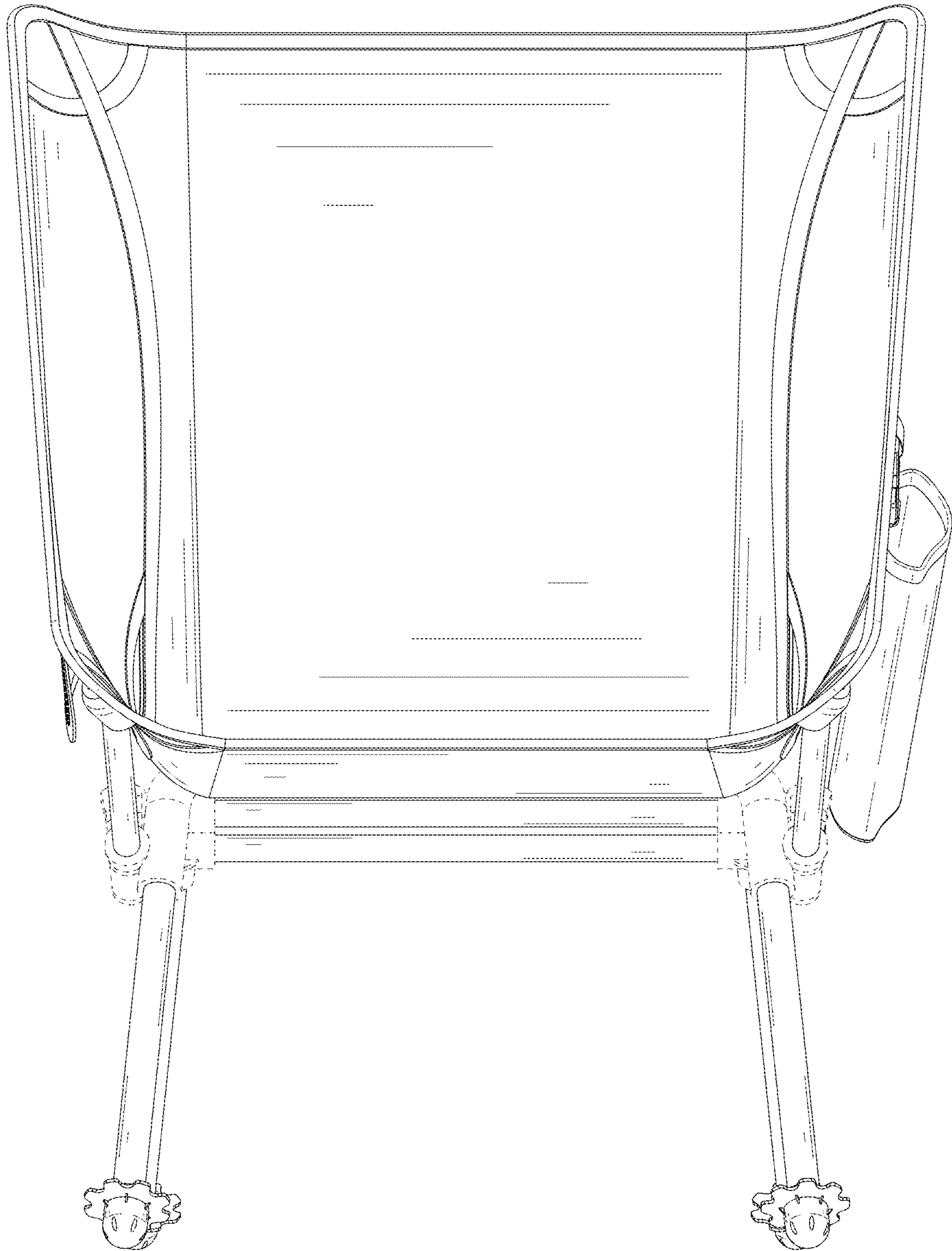


FIG. 3

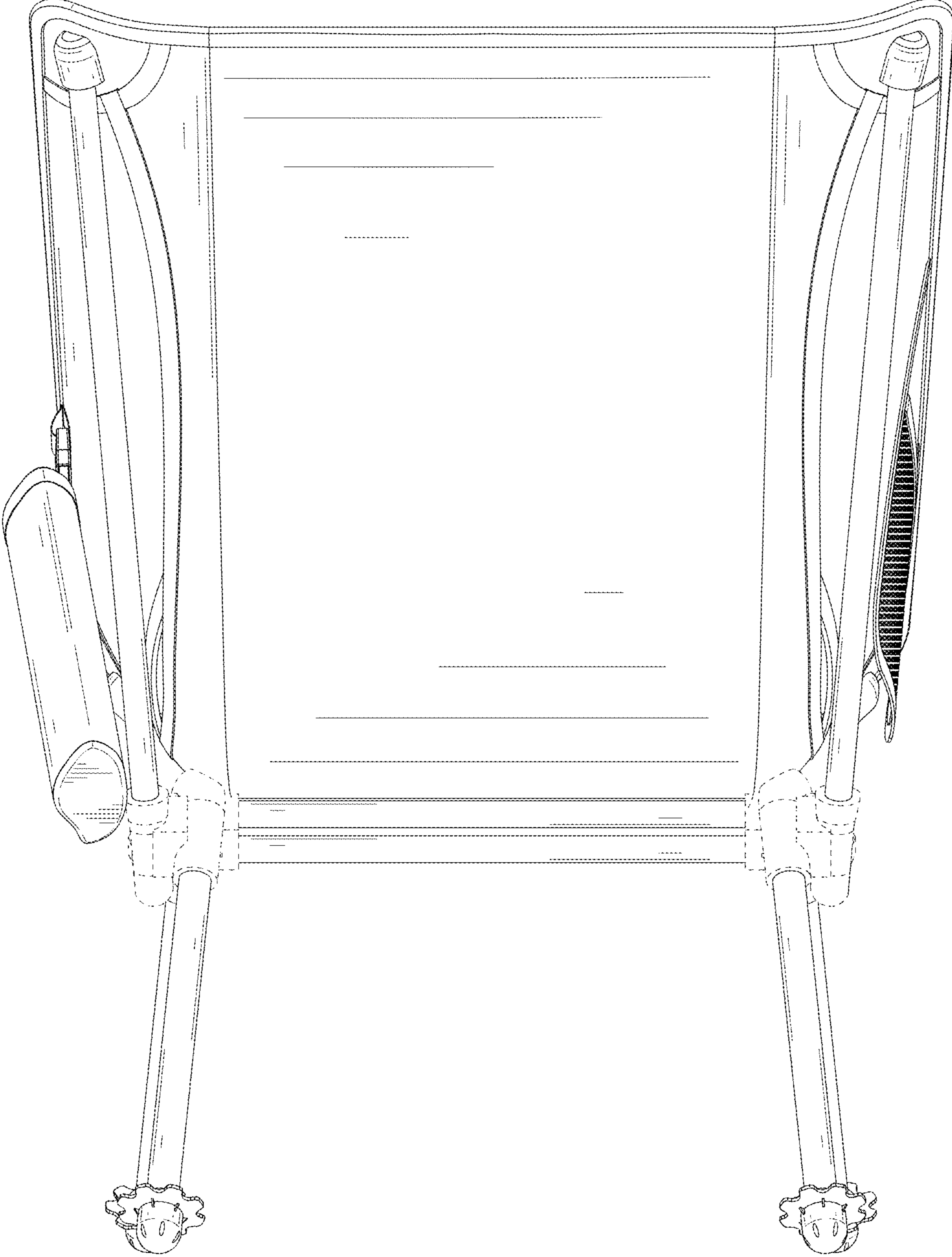


FIG. 4

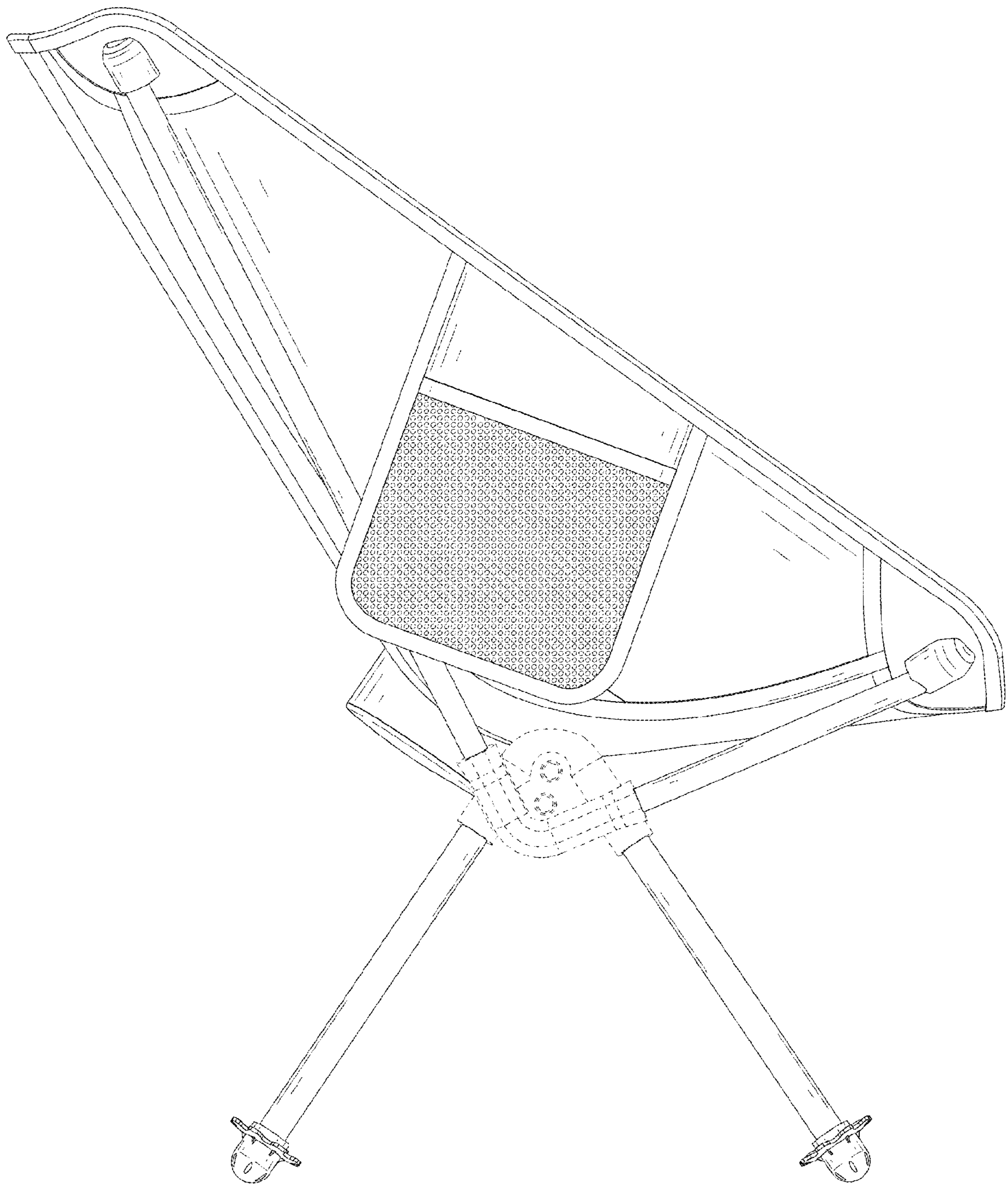


FIG. 5

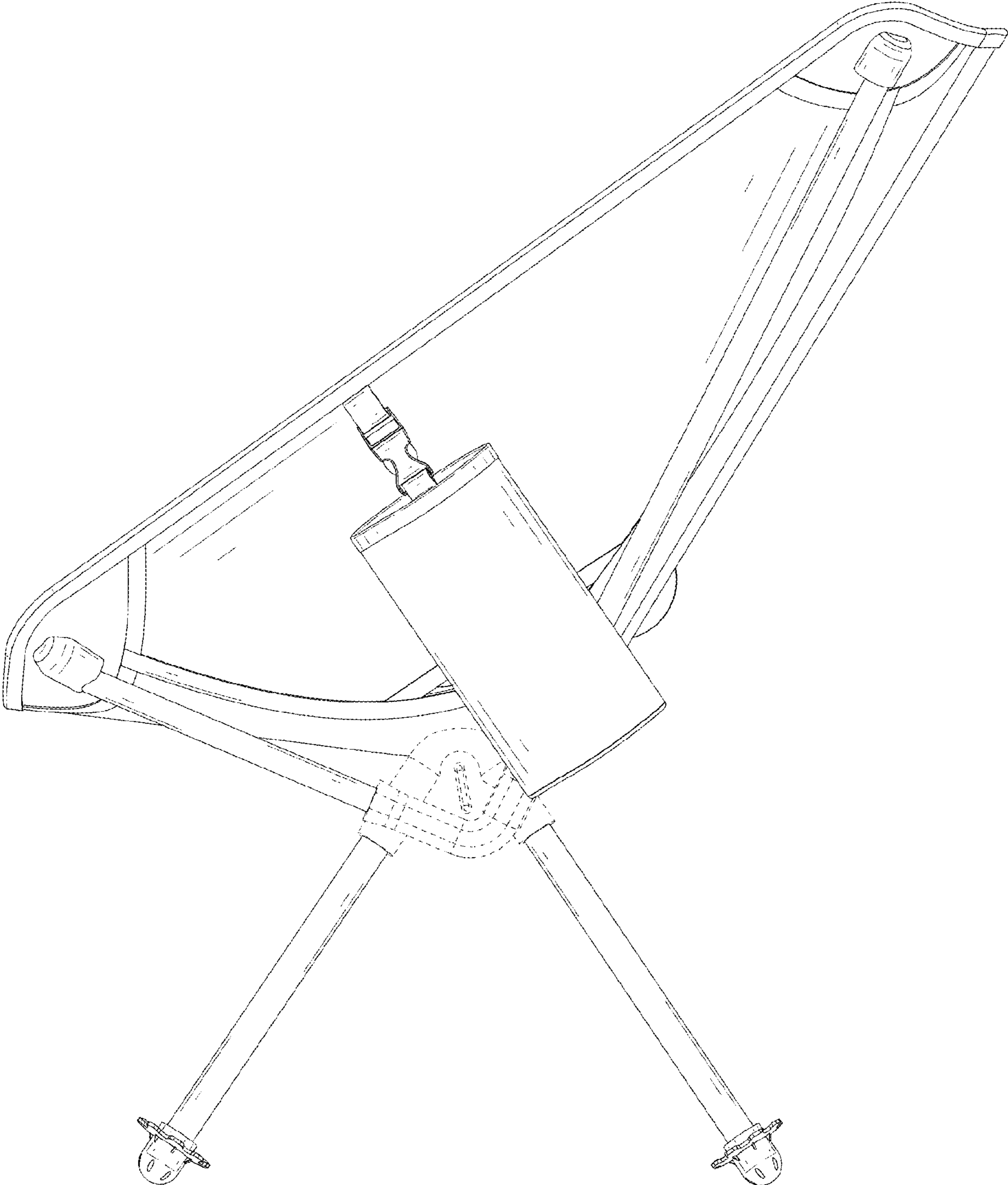


FIG. 6

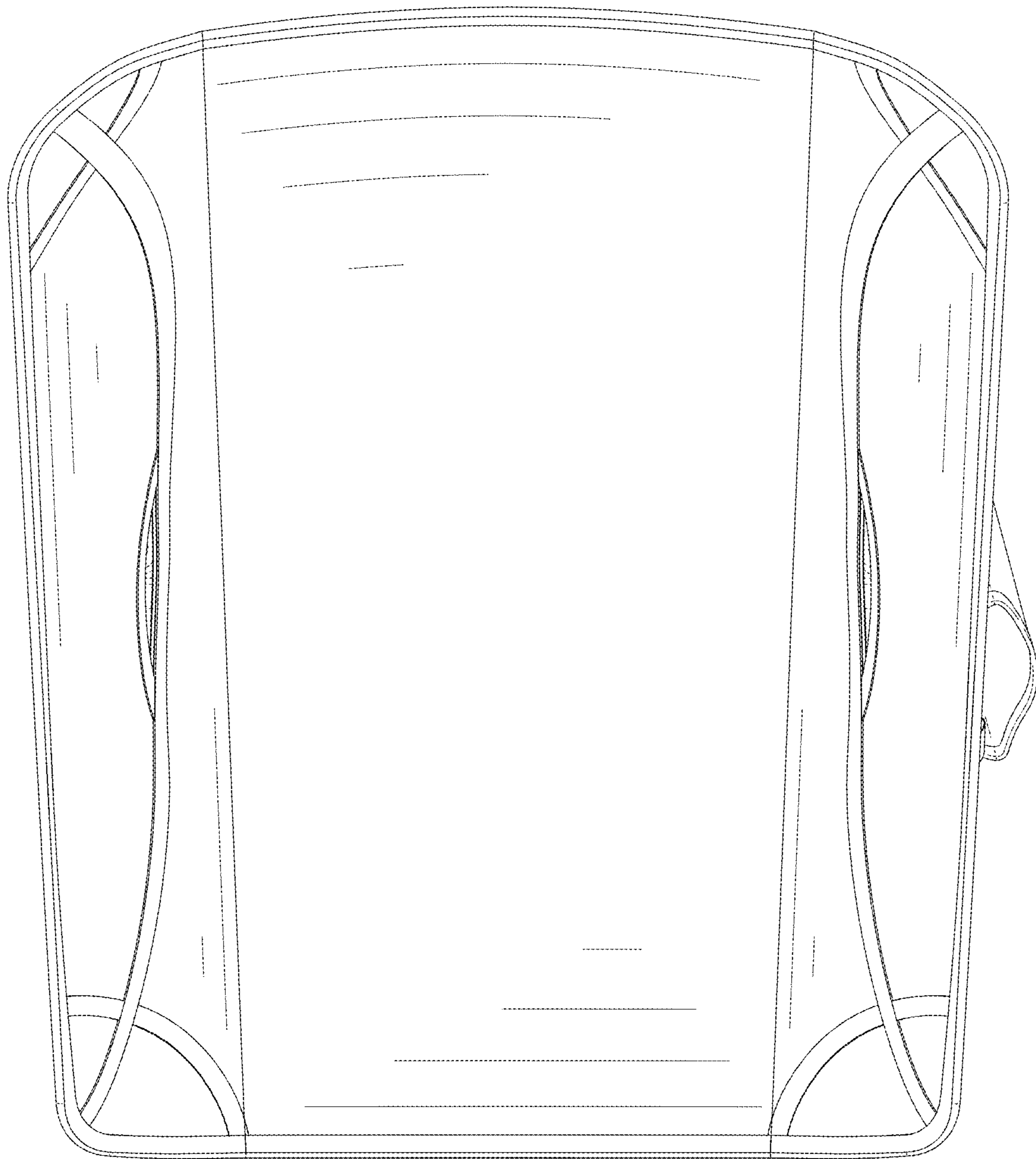


FIG. 7

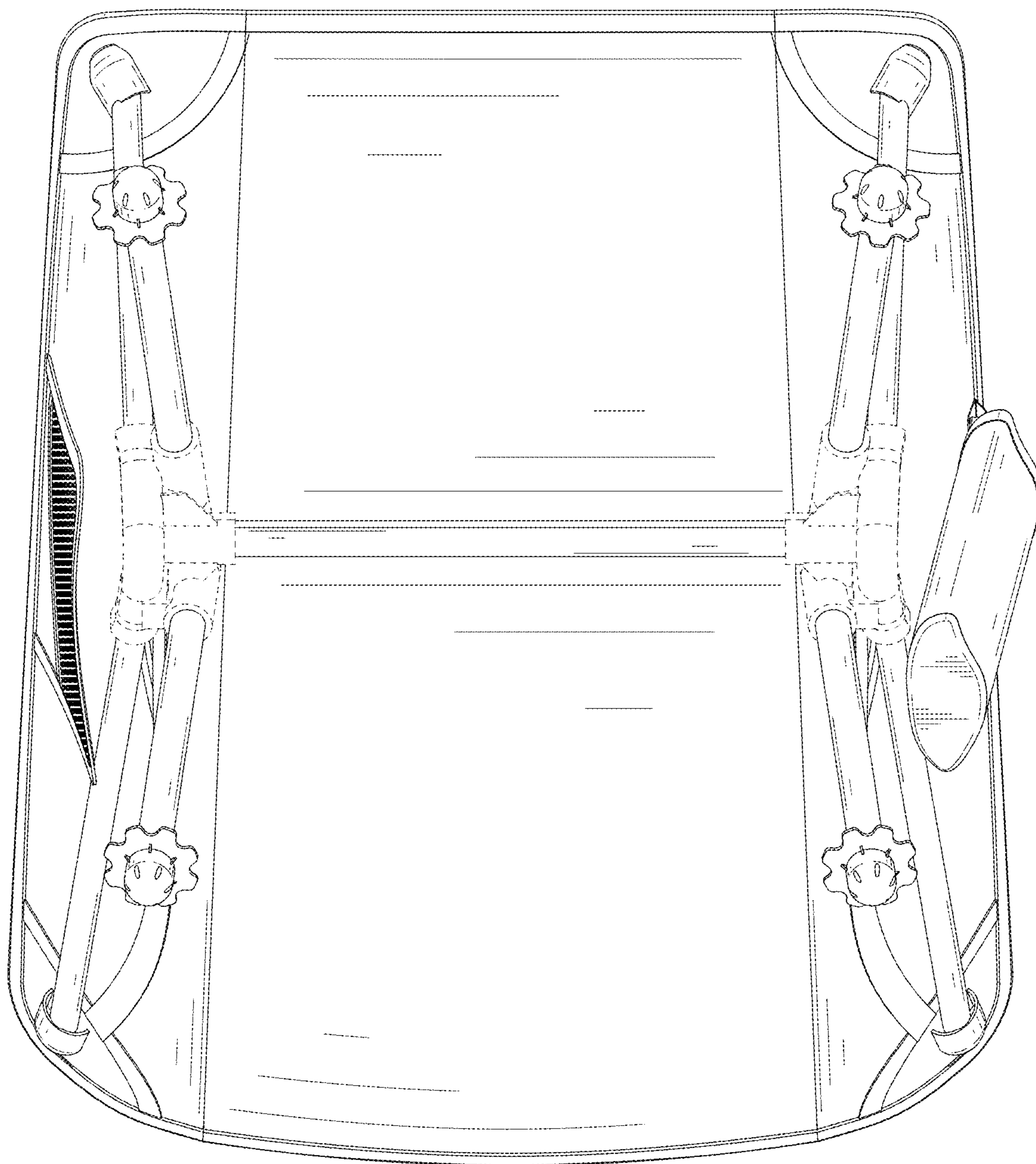


FIG. 8

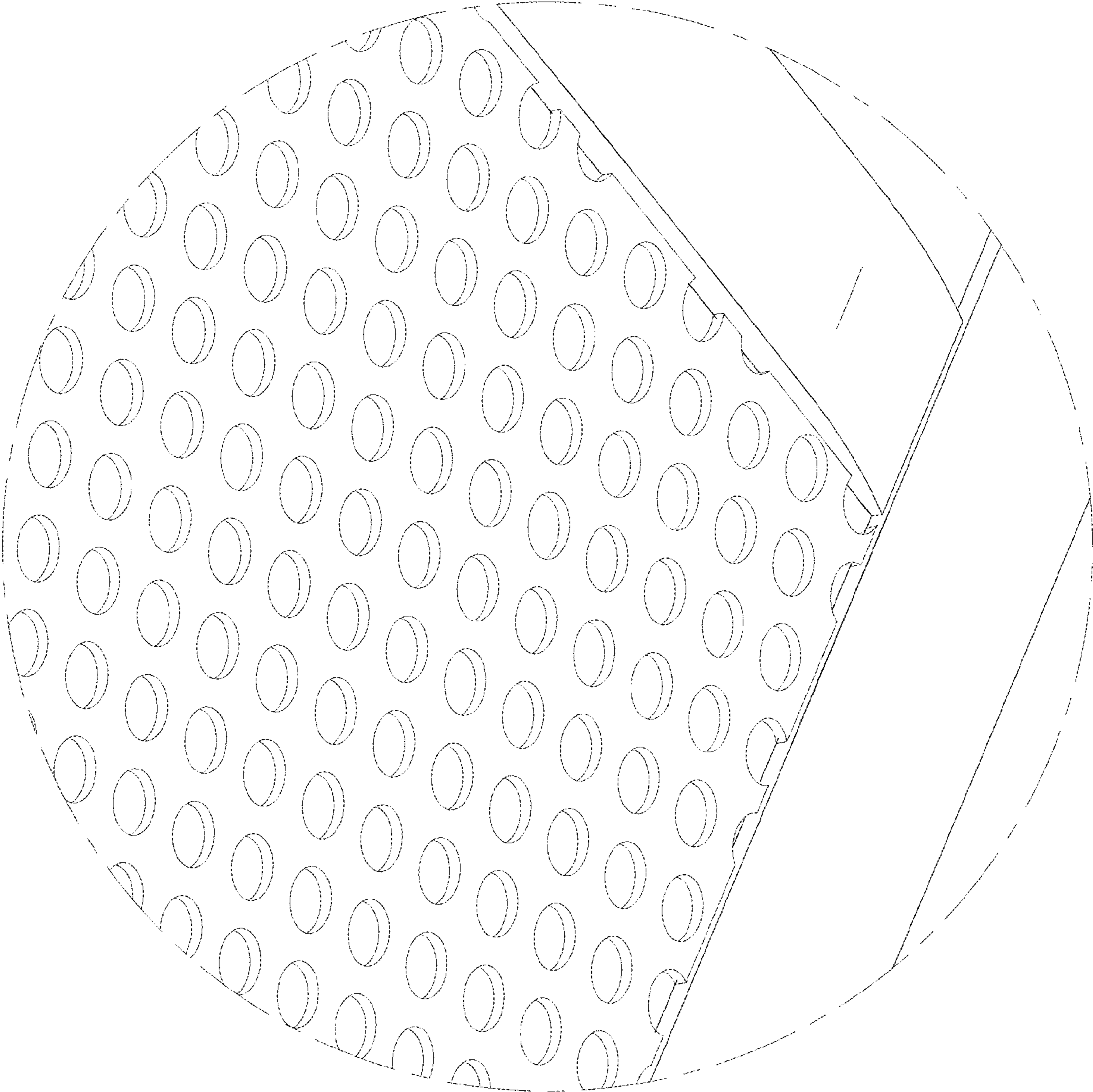


FIG. 9