



US00D923955S

(12) **United States Design Patent**
Yao

(10) **Patent No.:** **US D923,955 S**

(45) **Date of Patent:** **** Jul. 6, 2021**

(54) **FOLDING CHAIR**

(71) Applicant: **SOURCE MAX INC**, Jurupa Valley,
CA (US)

(72) Inventor: **Feng Yao**, Jurupa Valley, CA (US)

(**) Term: **15 Years**

(21) Appl. No.: **29/770,597**

(22) Filed: **Feb. 13, 2021**

(51) **LOC (13) Cl.** **06-01**

(52) **U.S. Cl.**

USPC **D6/368**

(58) **Field of Classification Search**

USPC D6/334-336, 368, 373, 374, 375, 376,
D6/379, 380, 716, 716.1, 716.2, 716.3,
D6/716.4, 716.5

CPC .. A47C 4/00; A47C 4/28; A47C 4/283; A47C
4/286; A47C 4/30; A47C 4/42; A47C
4/44; A47C 4/46; A47C 4/48; A47C 5/04;
A47C 5/06; A47C 5/08; A47C 5/10;
A47C 9/10; A47C 9/105; A47C 1/14;
A47C 7/38; A47C 7/383; A47C 7/386
See application file for complete search history.

(56) **References Cited**

U.S. PATENT DOCUMENTS

6,634,705	B1 *	10/2003	Zheng	A47C 4/286 297/41
D639,577	S *	6/2011	Tseng	D6/368
8,100,469	B2 *	1/2012	Lougee	A47C 4/44 297/58
D654,714	S *	2/2012	Tseng	D6/368
8,511,747	B2 *	8/2013	Lougee	A47C 4/48 297/16.2
8,864,222	B2 *	10/2014	Grace	A47C 4/286 297/44
D802,954	S	11/2017	Lin		
D815,448	S	4/2018	Jin		

D831,366	S	10/2018	Jin		
D833,768	S	11/2018	Jin		
D834,343	S	11/2018	Jin		
D850,809	S	6/2019	Xiao		
D855,343	S	8/2019	Haingaertner		
D859,020	S	9/2019	Bisaglia		
D870,480	S	12/2019	Grandberg		
10,722,034	B2 *	7/2020	Winterhalter	A47C 4/48
10,758,048	B1 *	9/2020	Tsai	A47C 3/00
D897,712	S	10/2020	Hu		
D911,731	S *	3/2021	Sullivan	D6/368
D911,733	S *	3/2021	Sullivan	D6/375
D912,423	S *	3/2021	Sullivan	D6/368
2016/0100688	A1 *	4/2016	Grace	A47C 1/14 297/17

(Continued)

Primary Examiner — Mimosa De

(74) *Attorney, Agent, or Firm* — Rumit Ranjit Kanakia

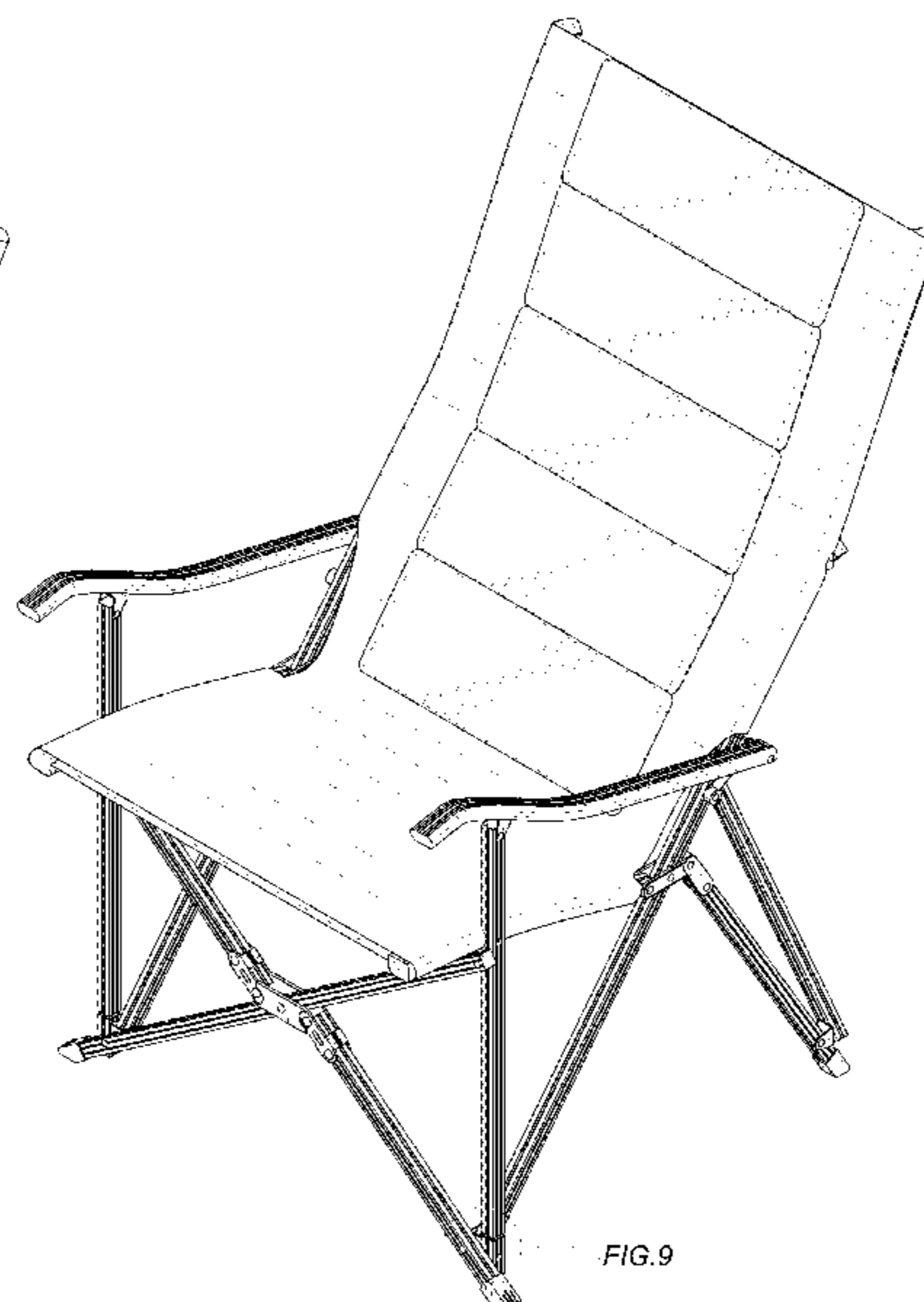
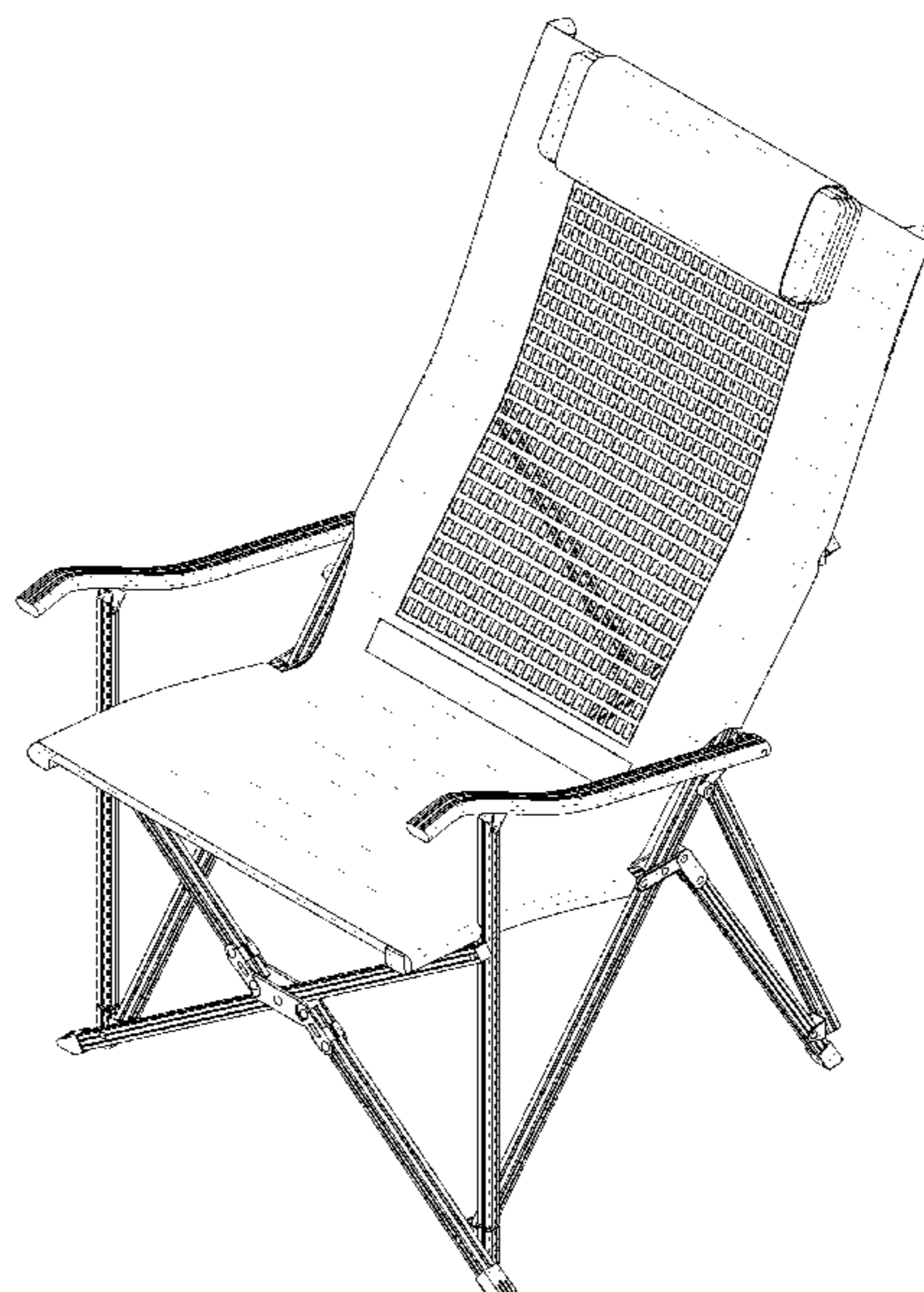
(57) **CLAIM**

The ornamental design for a folding chair, as shown and described.

DESCRIPTION

FIG. 1 is a front view of a folding chair showing my new design;
 FIG. 2 is a rear view thereof;
 FIG. 3 is a left side view thereof;
 FIG. 4 is a right side view thereof;
 FIG. 5 is a top view thereof;
 FIG. 6 is a bottom view thereof;
 FIG. 7 is a perspective view of a folding chair showing my new design;
 FIG. 8 is a perspective view of a folding chair showing the headrest on the folding chair is open; and,
 FIG. 9 is a partial enlarged view of FIG. 8.
 The broken lines in the figures are for the purposes of illustrating portions of the folding chair, which form no part of the claimed design.

1 Claim, 9 Drawing Sheets



(56)

References Cited

U.S. PATENT DOCUMENTS

2016/0135600 A1* 5/2016 Chen A47C 4/286
297/28
2019/0216222 A1* 7/2019 Winterhalter A47C 4/30

* cited by examiner

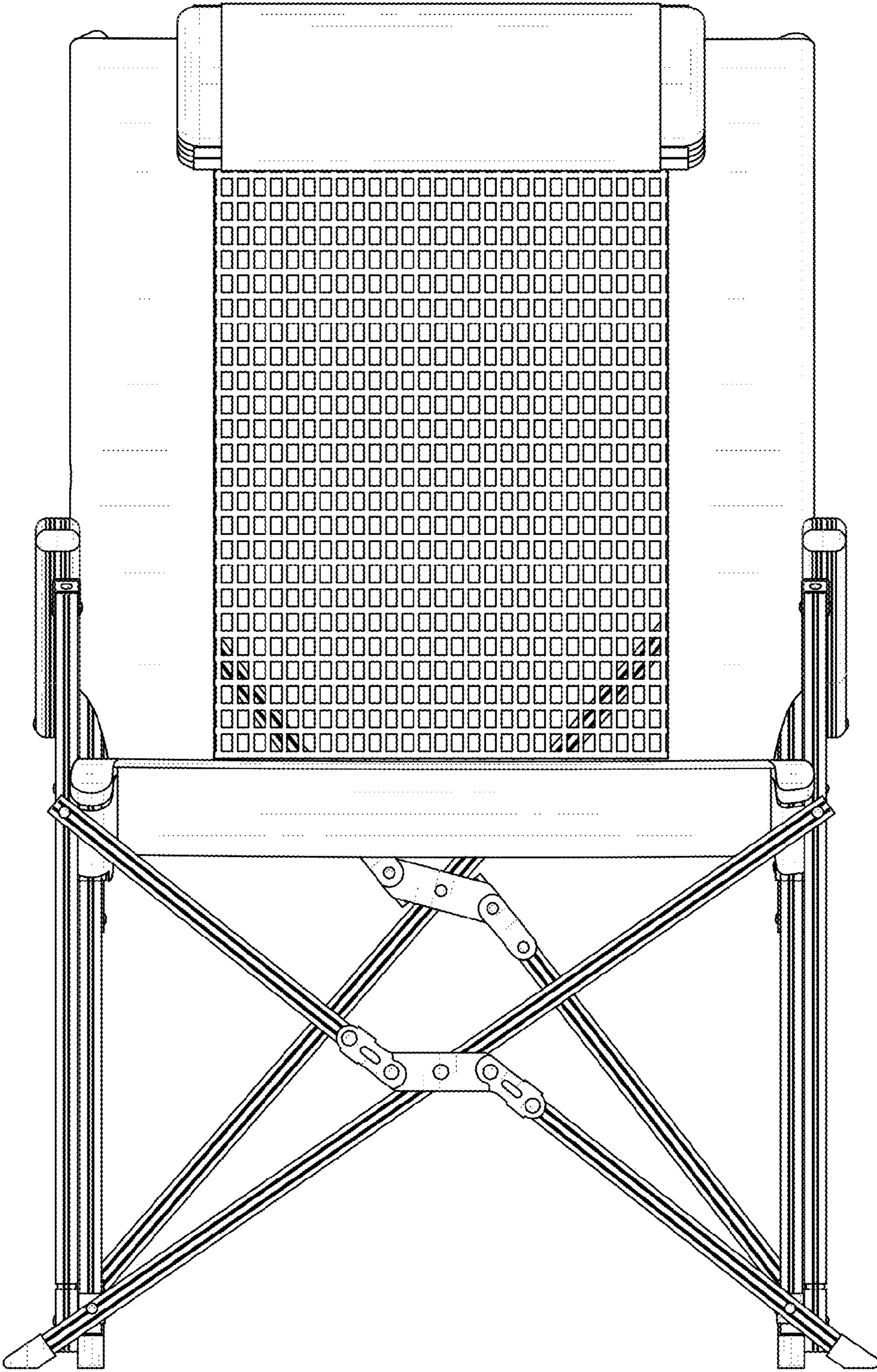


FIG. 1

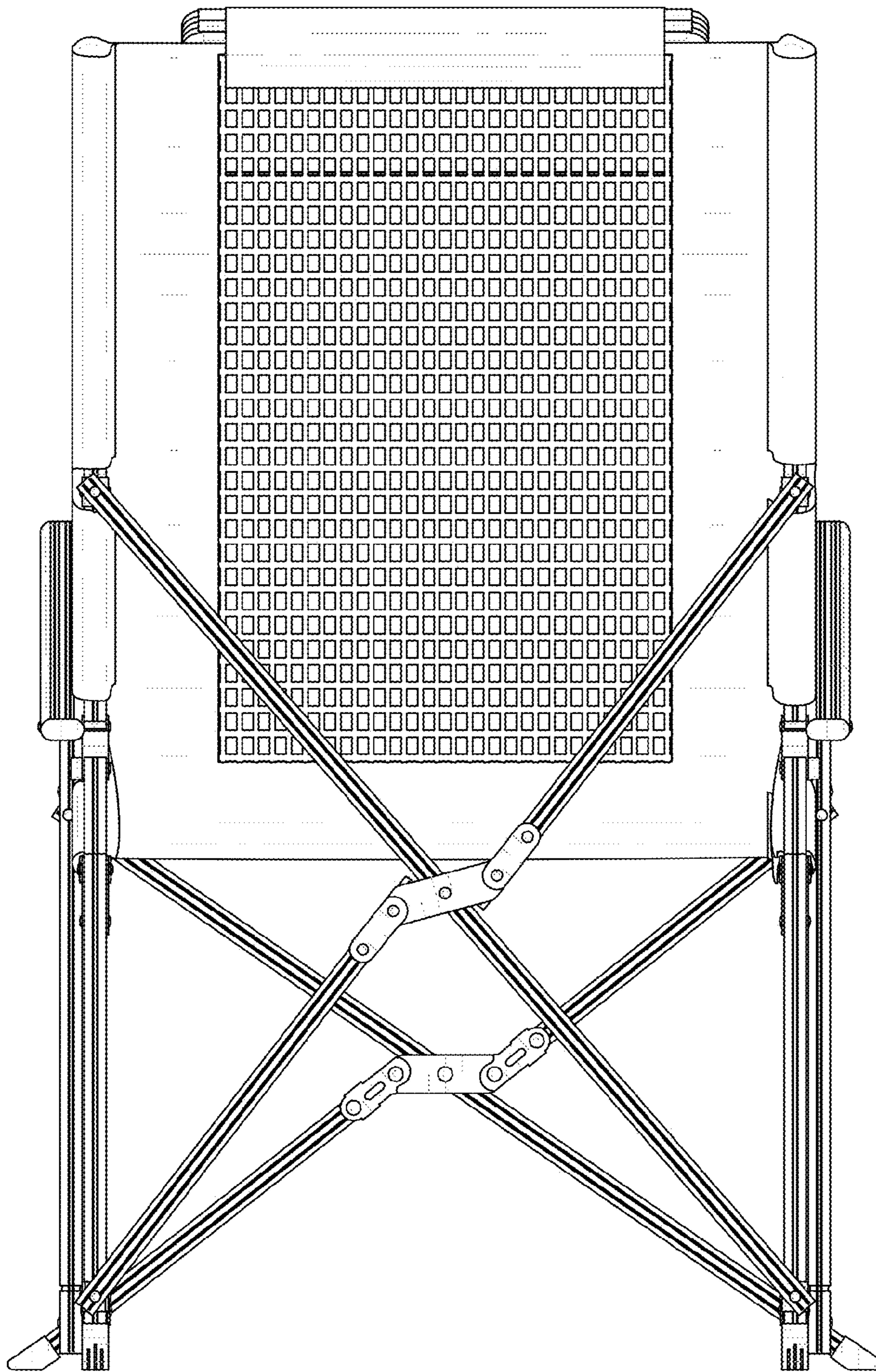


FIG. 2

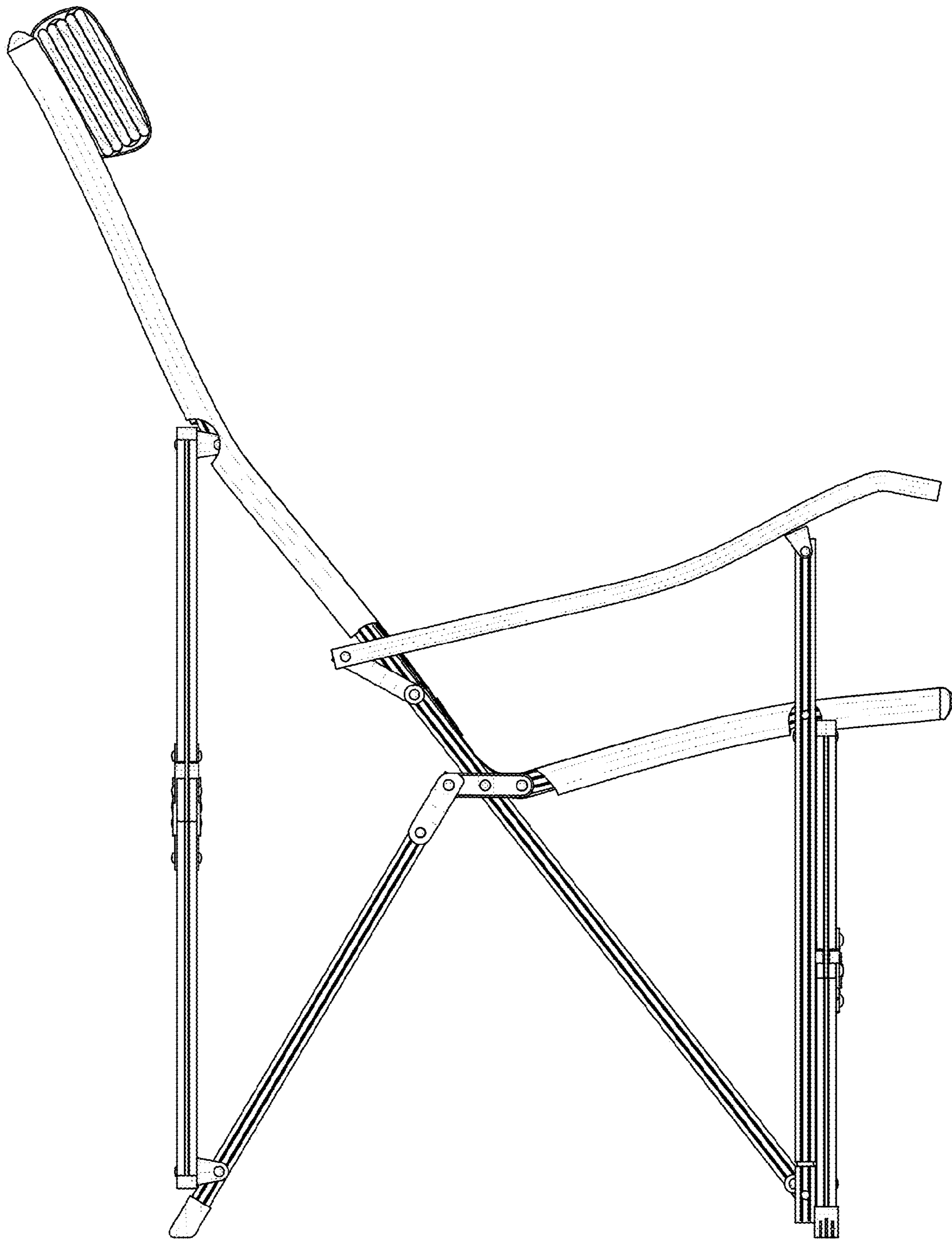


FIG.3

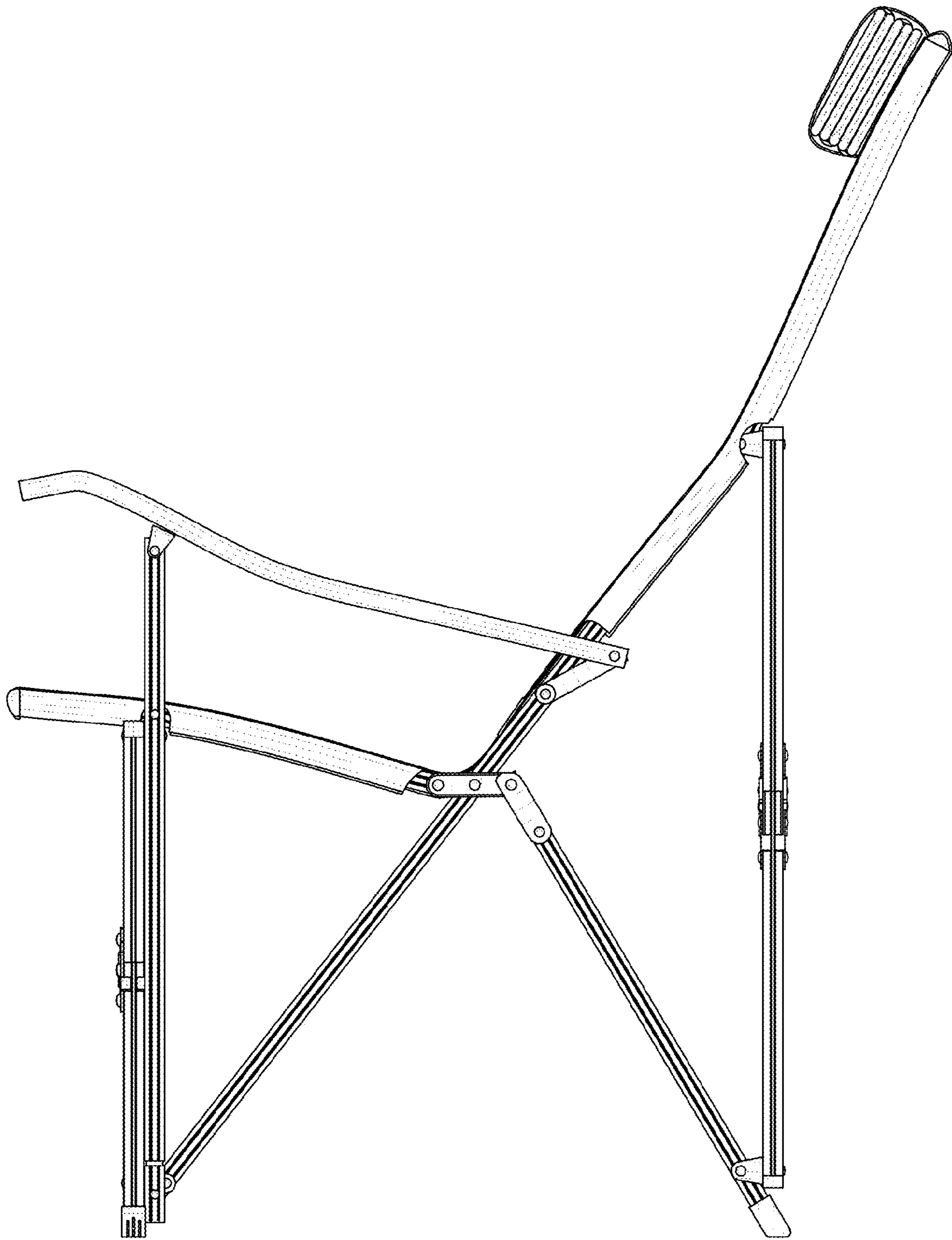


FIG.4

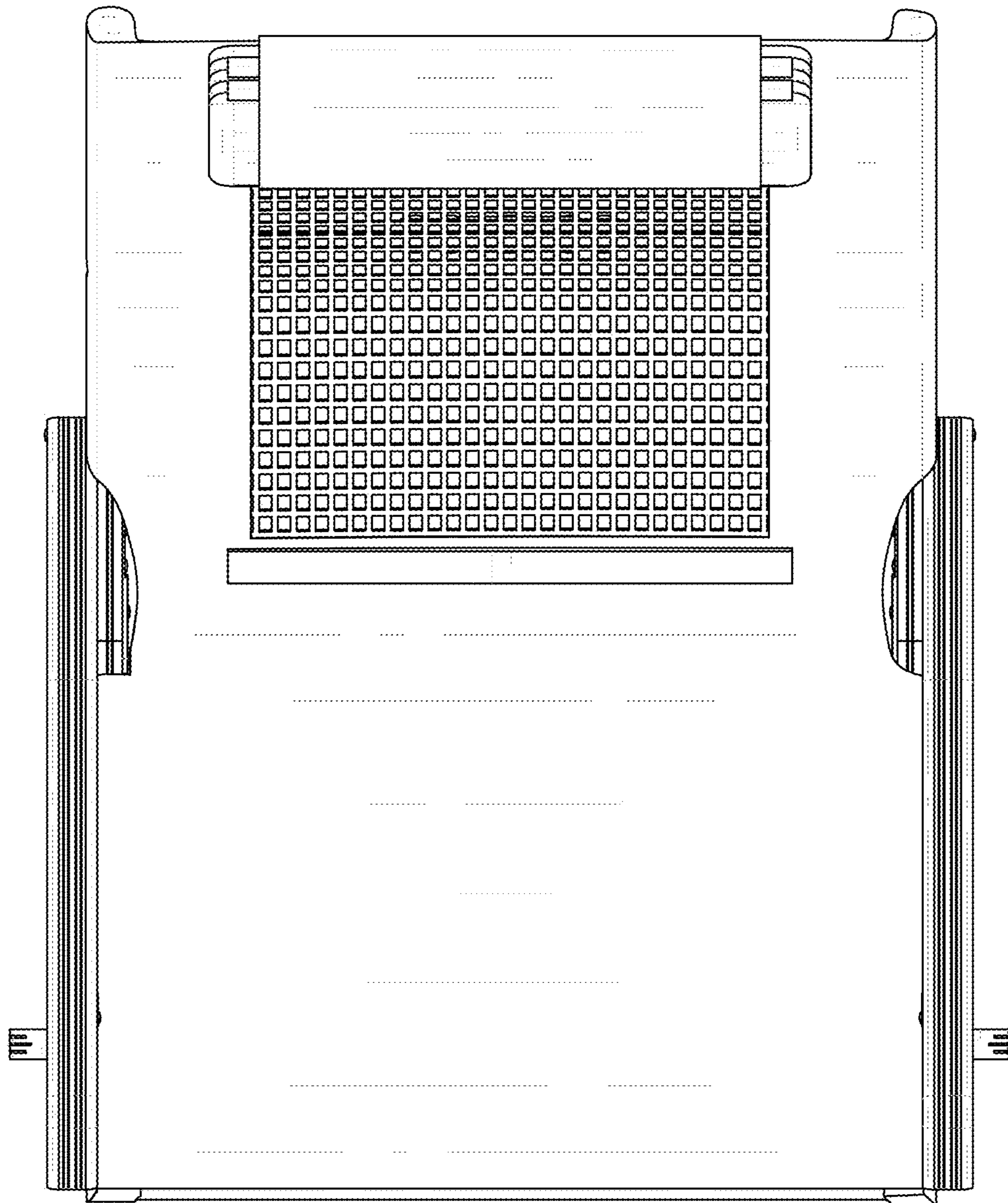


FIG.5

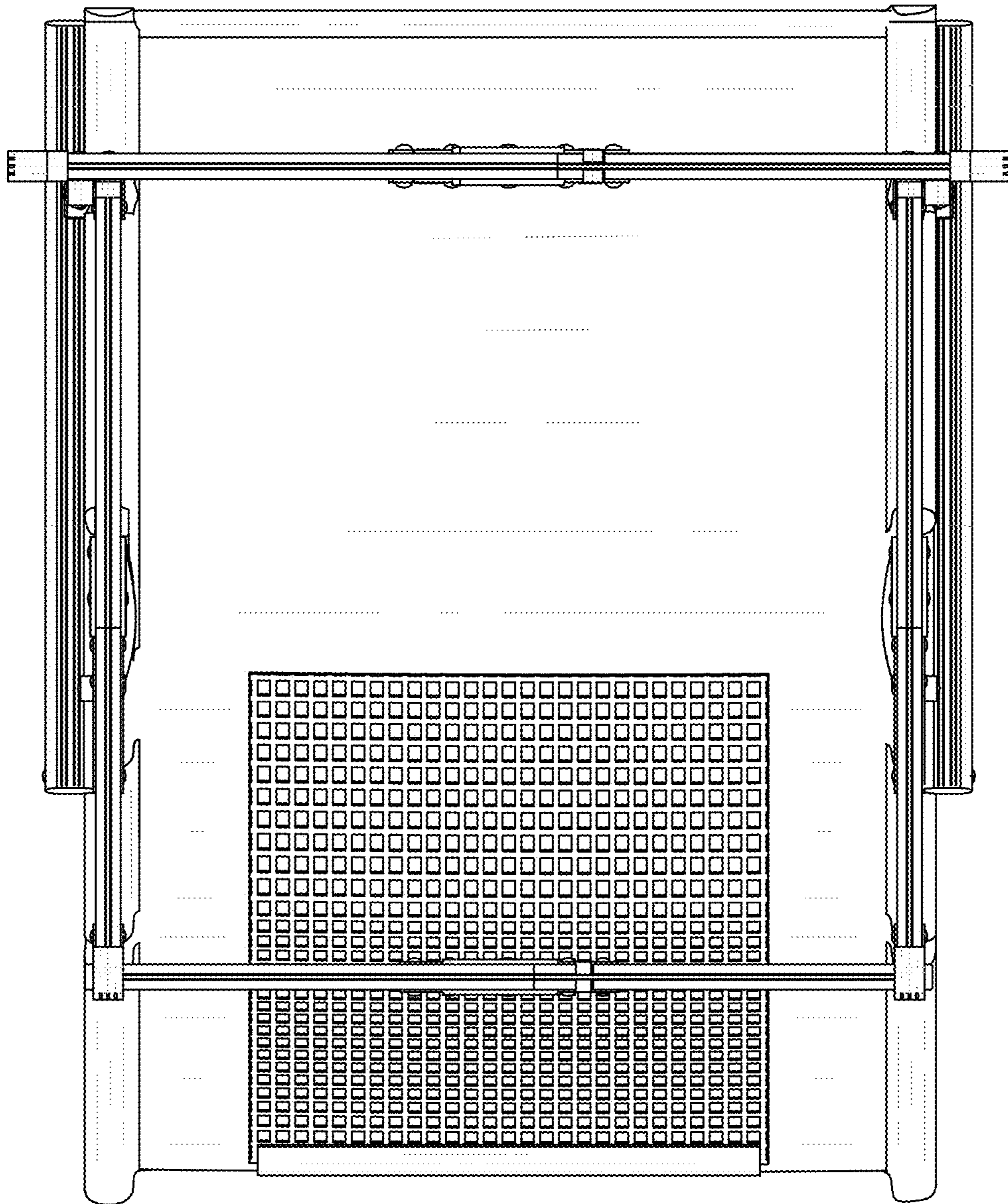


FIG. 6



FIG. 7



FIG. 8

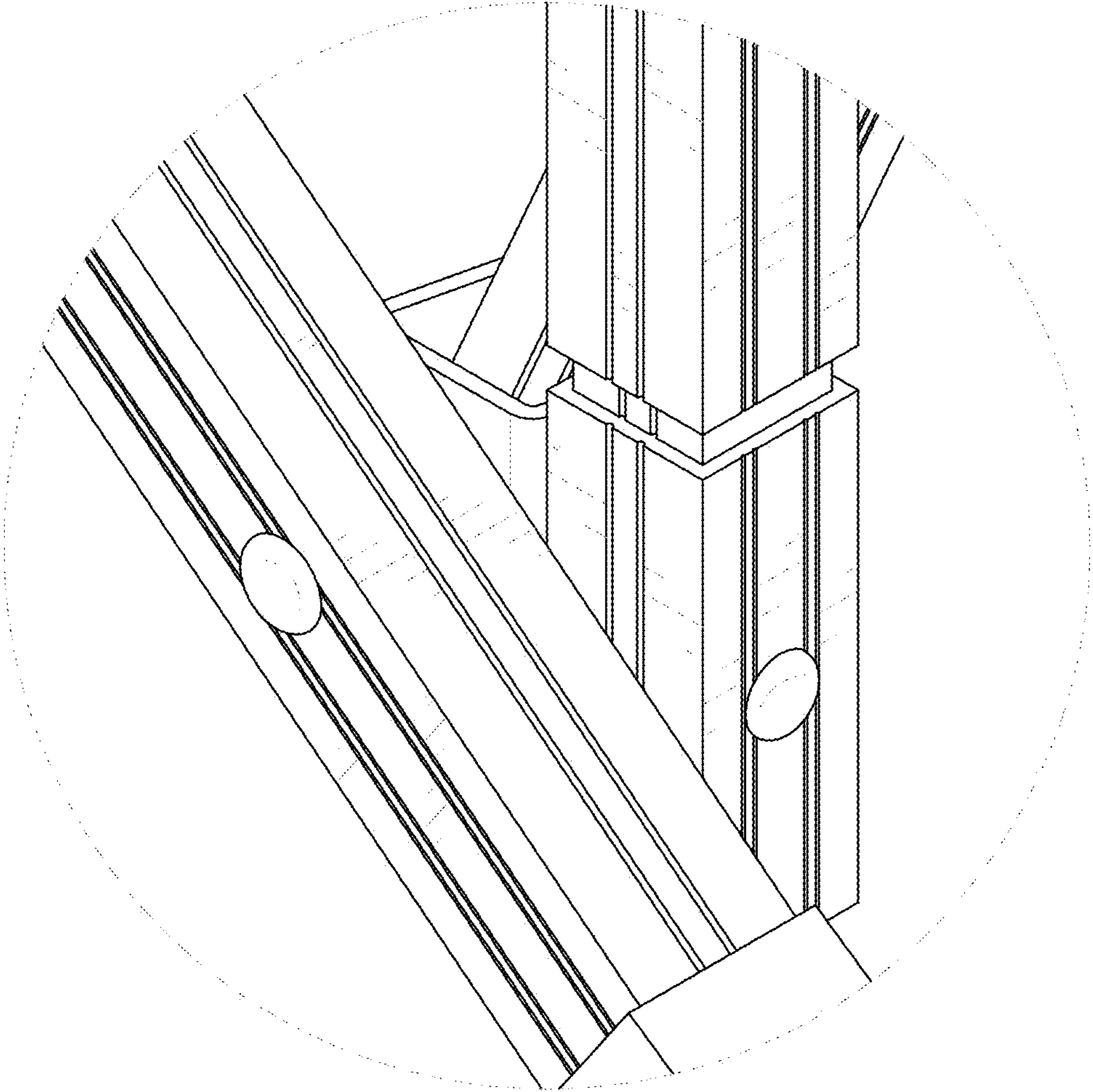


FIG. 9