



US00D923954S

(12) **United States Design Patent** (10) **Patent No.:** **US D923,954 S**
Shen (45) **Date of Patent:** **** Jul. 6, 2021**

(54) **FOLDING CHAIR**

(71) Applicant: **Yiyong Shen**, Fujian (CN)

(72) Inventor: **Yiyong Shen**, Fujian (CN)

(**) Term: **15 Years**

(21) Appl. No.: **29/709,437**

(22) Filed: **Oct. 15, 2019**

(30) **Foreign Application Priority Data**

Jul. 3, 2019 (CN) 201930351553.5

(51) **LOC (13) Cl.** **06-01**

(52) **U.S. Cl.**
USPC **D6/368**

(58) **Field of Classification Search**
USPC D6/341, 348, 349, 351, 353, 354, 355,
D6/361, 368, 377

CPC Y10S 297/01; B60N 2/02; A63B 26/00;
A63B 26/003; A63B 2225/62; A63B
2210/50; A63B 21/1609; A47D 13/10;
A47C 1/00; A47C 1/0246; A47C 1/024;
A47C 3/00; A47C 3/029; A47C 3/027;
A47C 3/02; A47C 3/04; A47C 3/12;
A47C 3/20; A47C 4/00; A47C 4/02;
A47C 4/03; A47C 4/04; A47C 4/021;
A47C 4/48; A47C 5/12; A47C 7/021;
A47C 7/004; A47C 7/006; A47C 7/02;
A47C 7/18; A47C 7/40; A47C 7/44;
A47C 7/46; A47C 7/54; A47C 7/402;
A47C 7/441; A47C 7/443; A47C 7/445;
A47C 7/467; A47C 7/543; A47C 9/002;
A47C 31/126

See application file for complete search history.

(56) **References Cited**

U.S. PATENT DOCUMENTS

D194,497 S	*	2/1963	Miller	D6/361
D387,211 S	*	12/1997	Mourgue	D6/361
D399,663 S	*	10/1998	Vu	D6/361
D408,645 S	*	4/1999	Smith	D6/377
D412,790 S	*	8/1999	Dhing	D6/349
D441,971 S	*	5/2001	Vu	D6/334
D444,957 S	*	7/2001	Kagan	D6/377
D546,082 S	*	7/2007	Galante	D6/349
D841,993 S	*	3/2019	Kaloustian	D6/336
D882,974 S	*	5/2020	Kaloustian	D6/336

* cited by examiner

Primary Examiner — Kevin K Rudzinski

Assistant Examiner — Paul D Bohannon

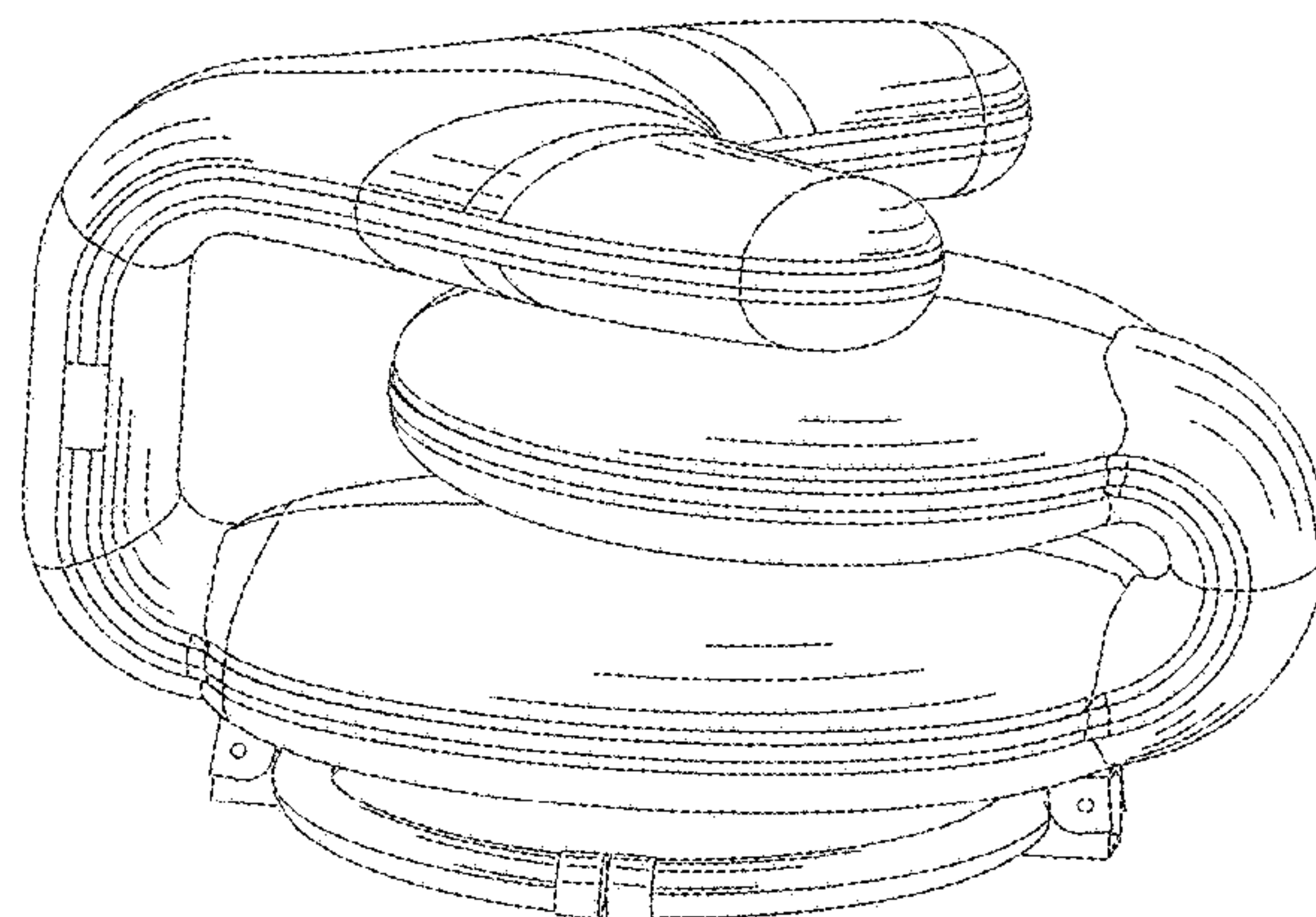
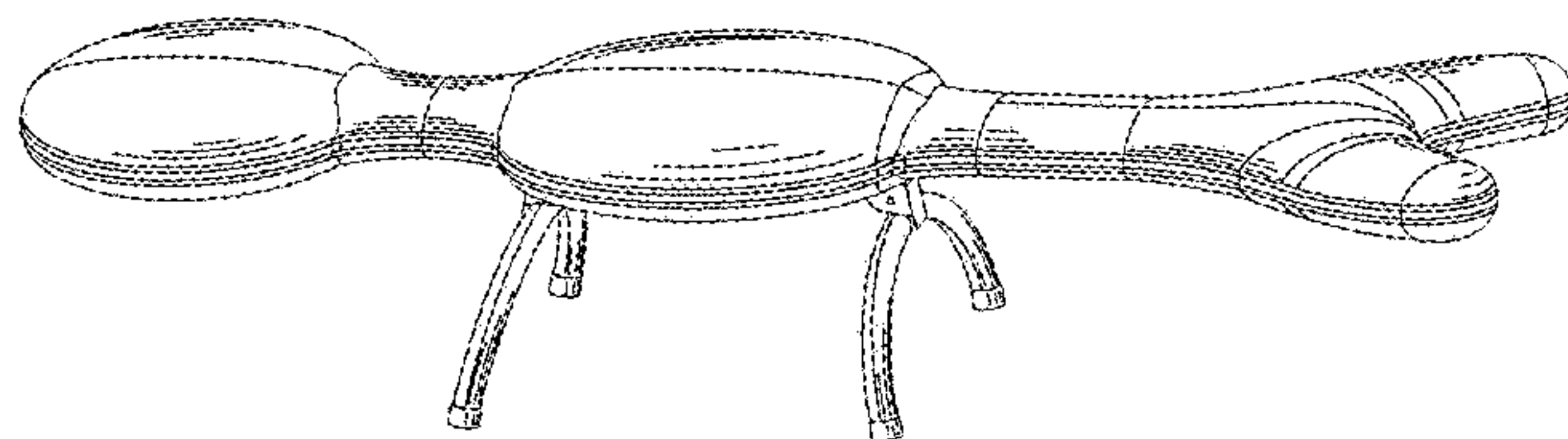
(57) **CLAIM**

The ornamental design for a folding chair, as shown and described.

DESCRIPTION

FIG. 1 is a front elevational view of a folding chair showing my new design;
FIG. 2 is a rear elevational view thereof;
FIG. 3 is a left side view thereof;
FIG. 4 is a right side view thereof;
FIG. 5 is a top plan view thereof;
FIG. 6 is a bottom plan view thereof;
FIG. 7 is a perspective view thereof; and,
FIG. 8 is a perspective view in the state of use thereof.

1 Claim, 5 Drawing Sheets



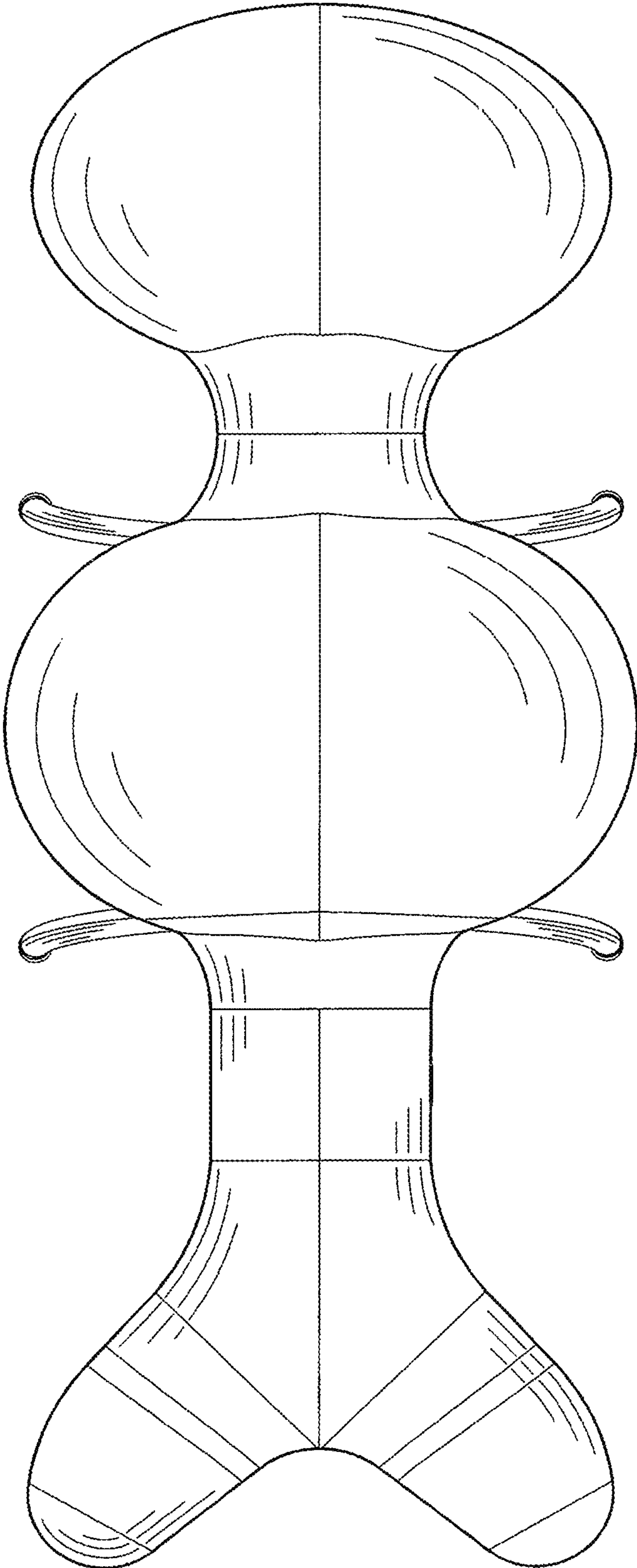


Fig. 1

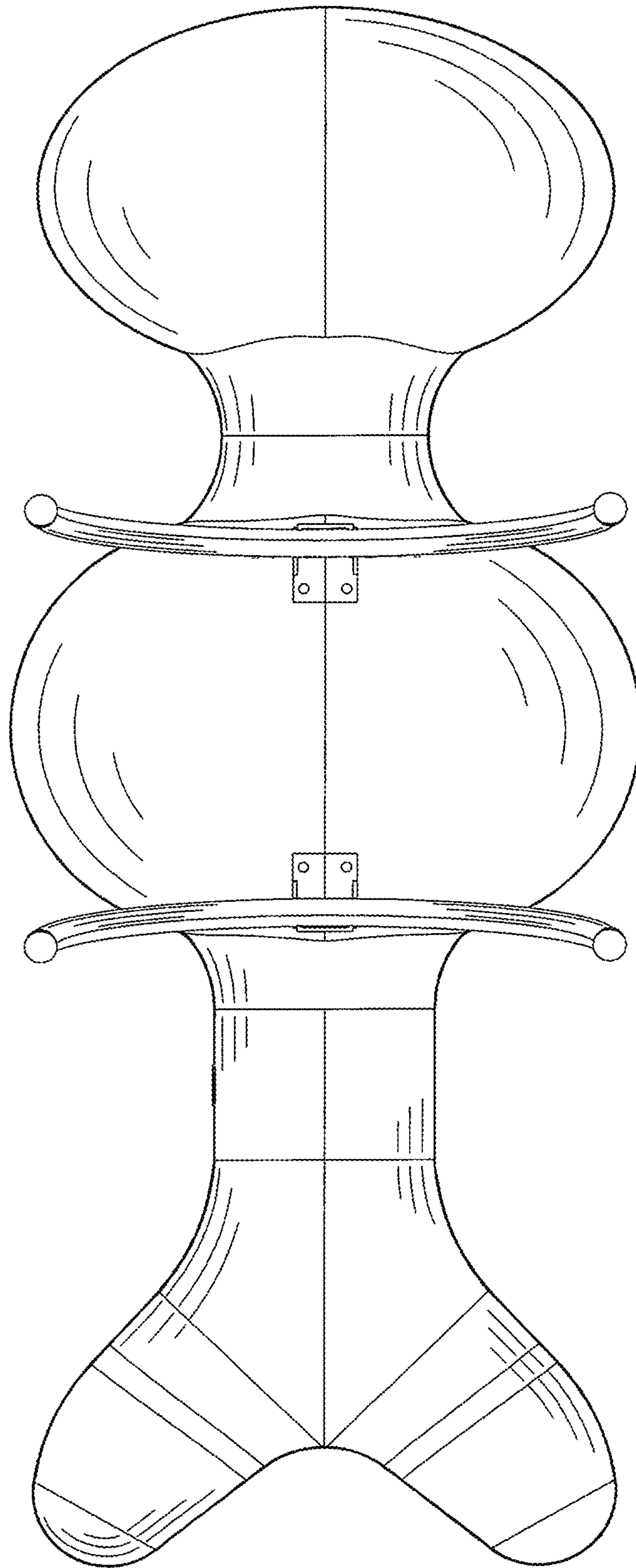


Fig. 2

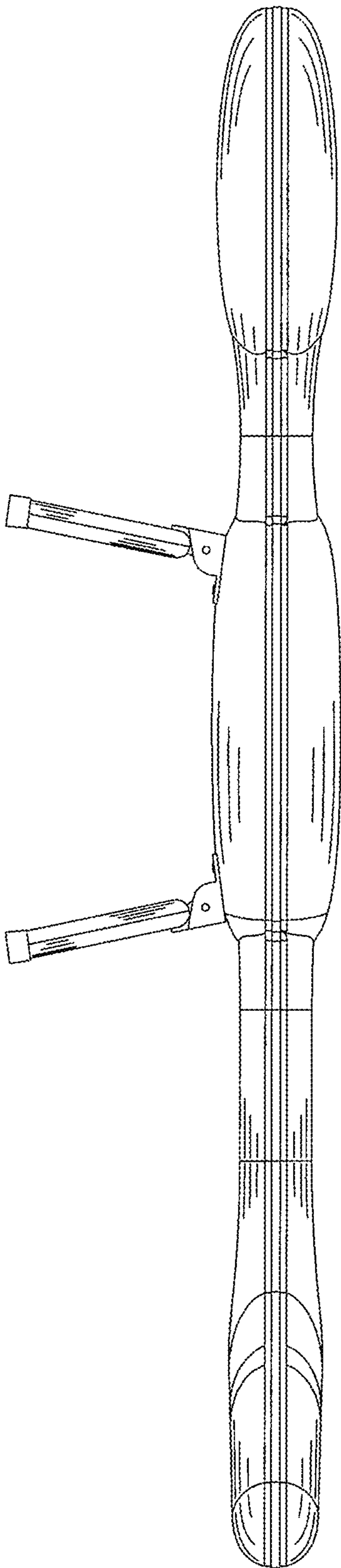


Fig. 3

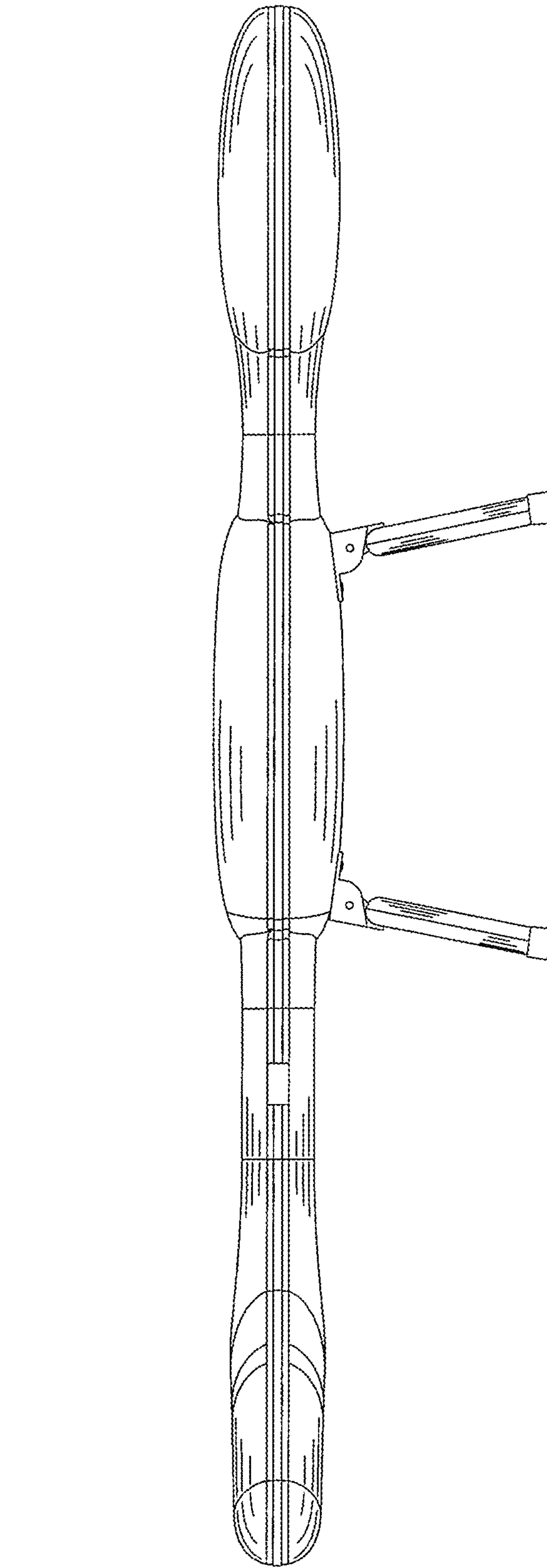


Fig. 4

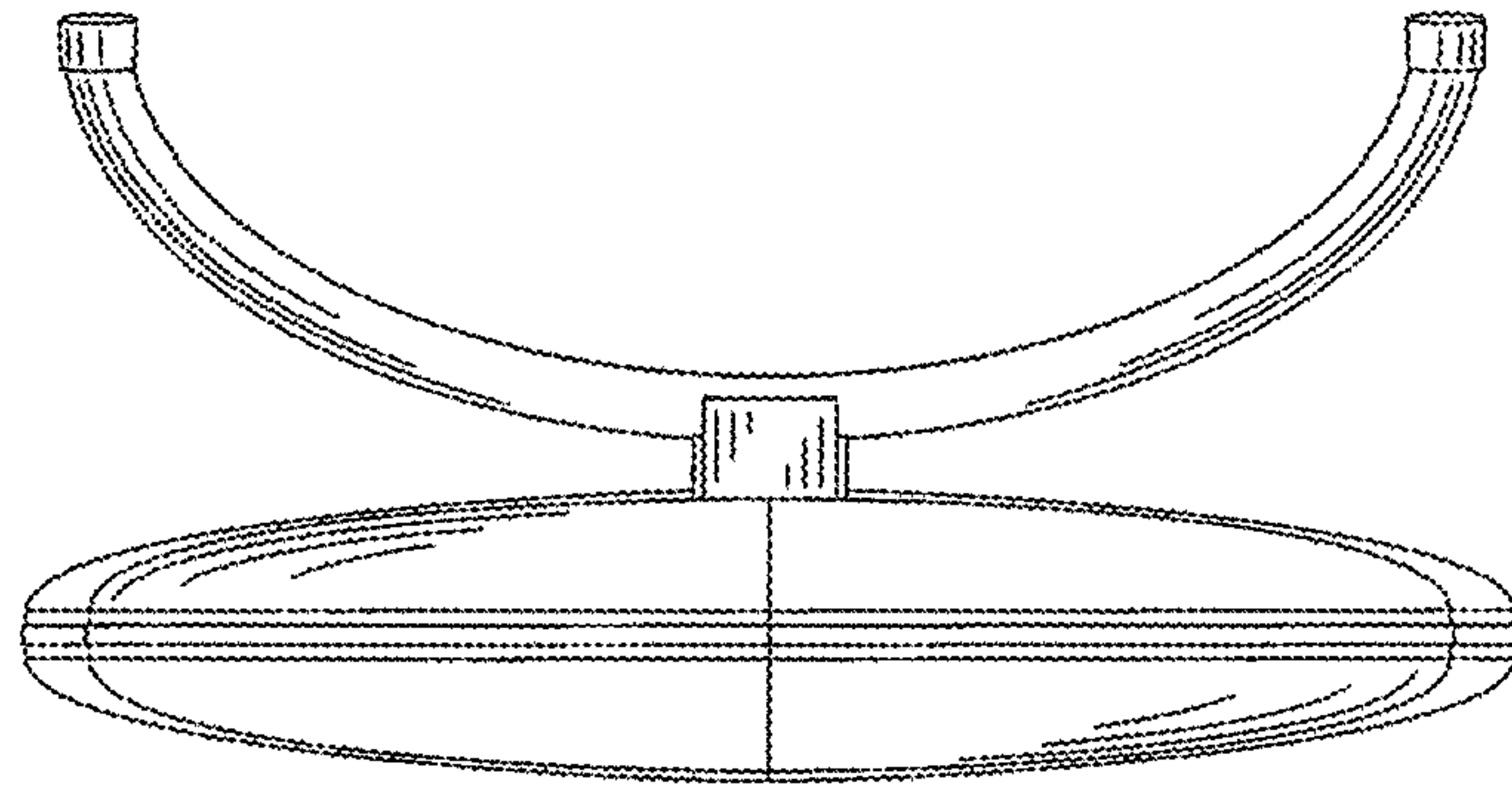


Fig. 5

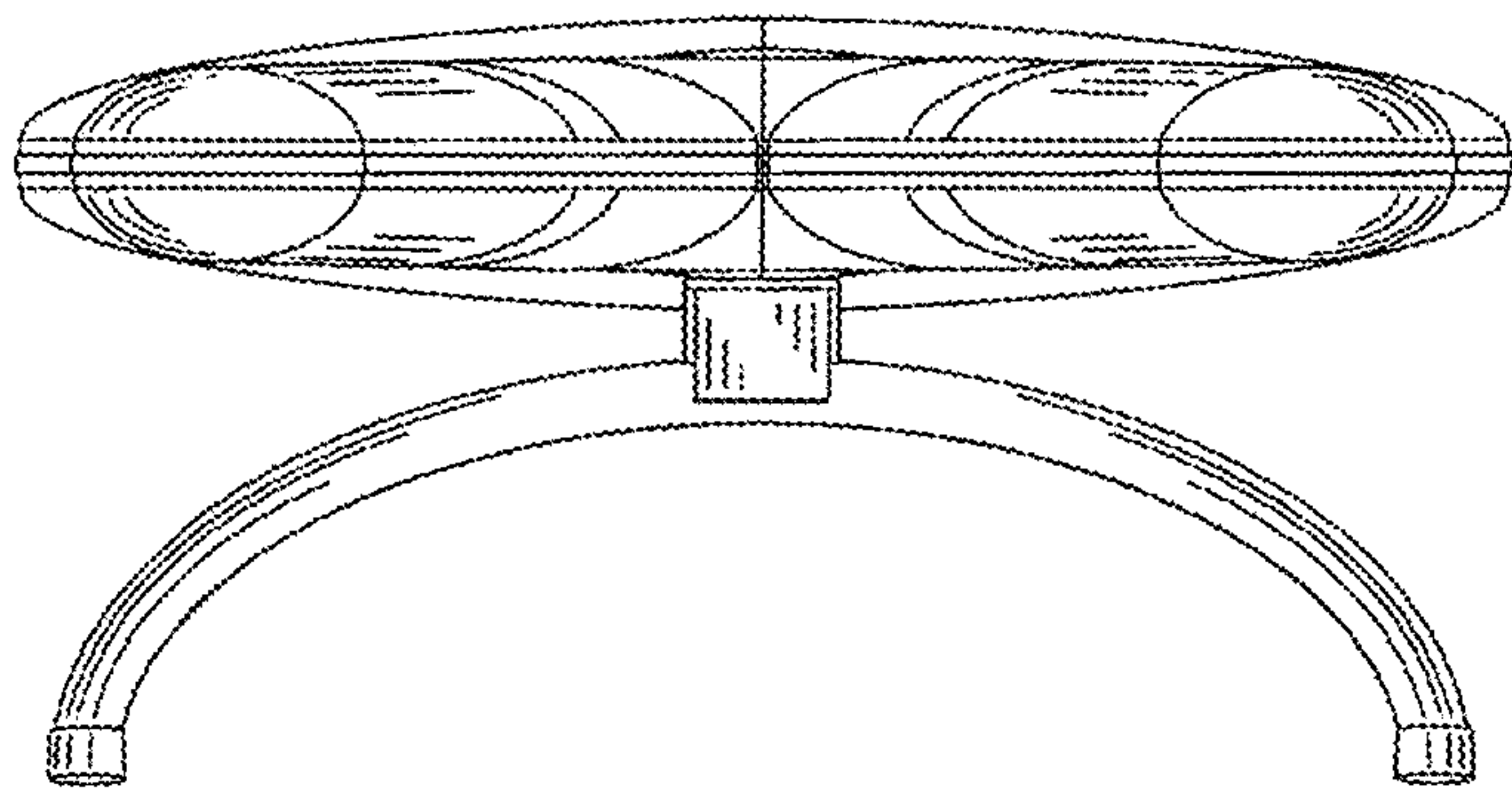


Fig. 6

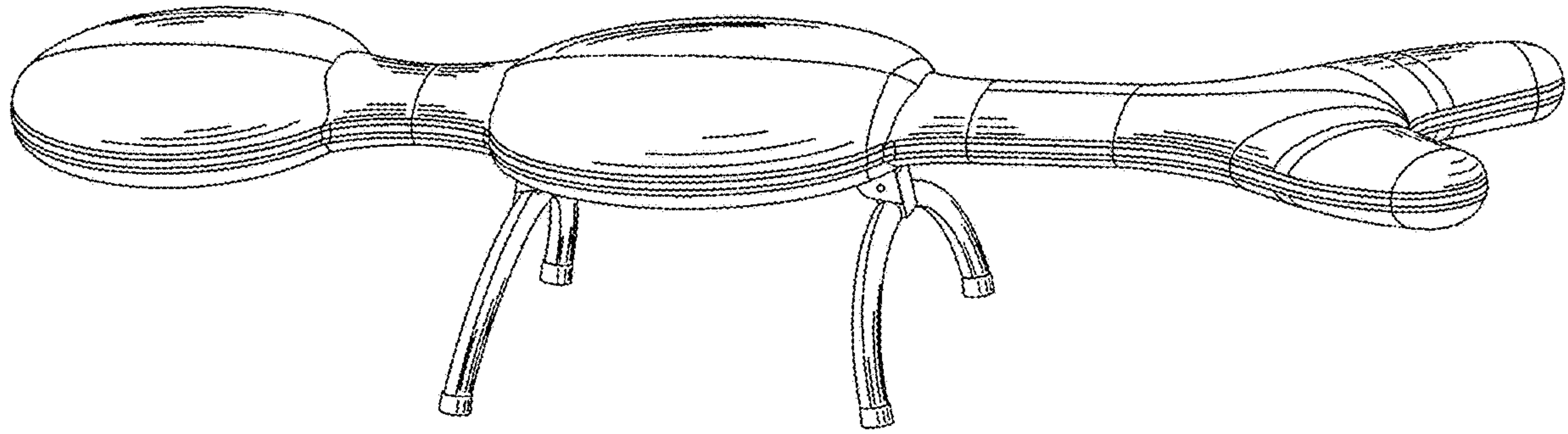


Fig. 7

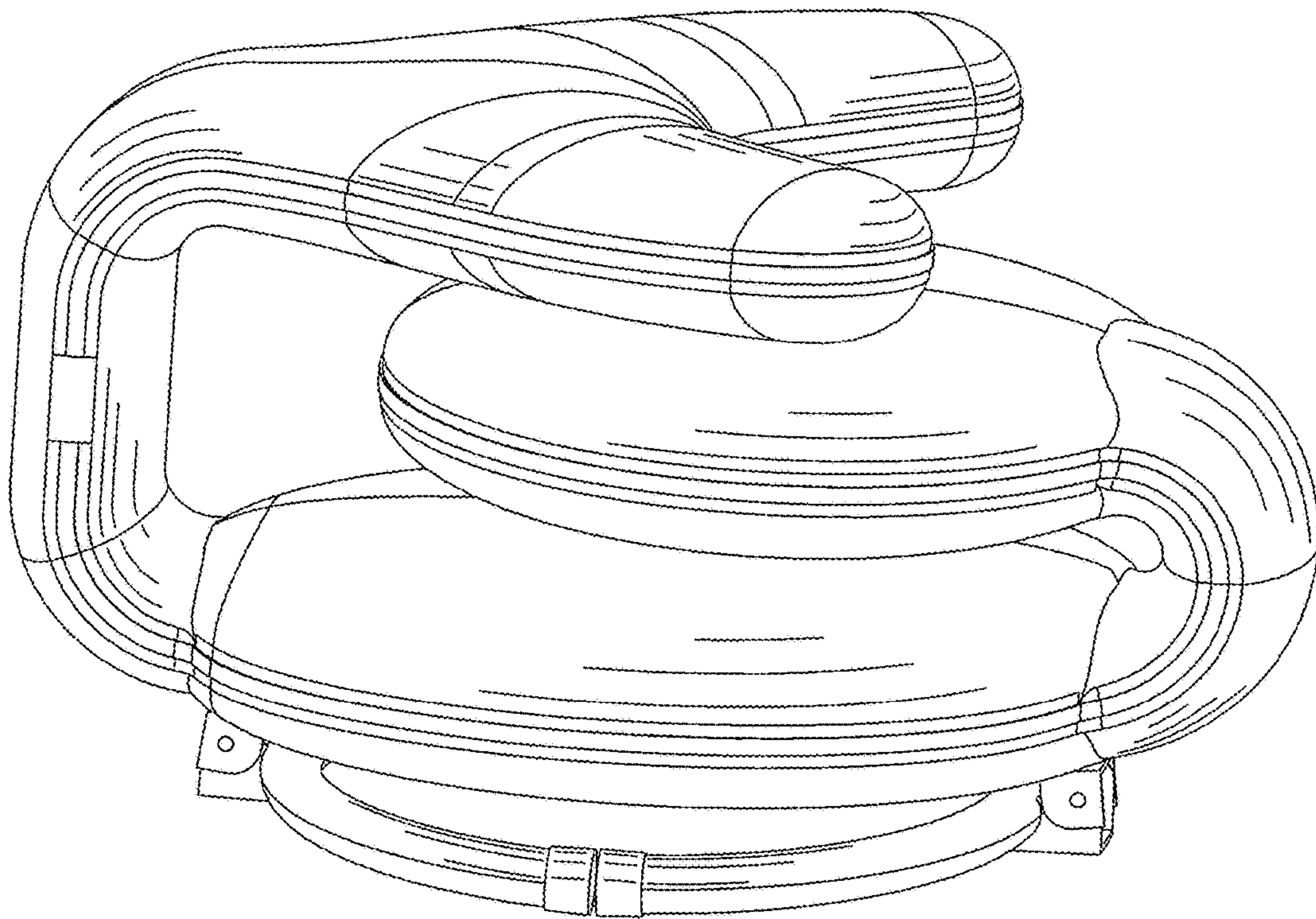


Fig. 8