



US00D923953S

(12) **United States Design Patent**  
**Dardashti**

(10) **Patent No.:** **US D923,953 S**  
(45) **Date of Patent:** **\*\* Jul. 6, 2021**

(54) **CHAIR**

(71) Applicant: **Shahram Dardashti**, Beverly Hills, CA (US)

(72) Inventor: **Shahram Dardashti**, Beverly Hills, CA (US)

(\*\*) Term: **15 Years**

(21) Appl. No.: **29/756,276**

(22) Filed: **Oct. 27, 2020**

**Related U.S. Application Data**

(60) Division of application No. 29/710,983, filed on Oct. 28, 2019, now Pat. No. Des. 913,711, which is a continuation-in-part of application No. 29/695,477, filed on Jun. 19, 2019, now Pat. No. Des. 895,991.

(51) **LOC (13) Cl.** ..... **06-01**

(52) **U.S. Cl.**  
USPC ..... **D6/360**

(58) **Field of Classification Search**  
USPC ..... D6/334, 349, 360, 361, 364, 365, 366, D6/367, 375, 378, 379, 380  
CPC .. A47C 3/00; A47C 3/18; A47C 3/185; A47C 3/20; A47C 1/00; A47C 1/02; A47C 1/022; A47C 1/037; A47C 7/24; A47C 7/36; A47C 7/46; A47C 7/18; A47C 7/50; A47C 13/005; A47C 15/002; A47C 17/02; A47C 9/007  
See application file for complete search history.

(56) **References Cited**

**U.S. PATENT DOCUMENTS**

D153,850 S 5/1949 Brazauski  
D213,683 S 4/1969 Leistikow

D298,987 S 12/1988 Tiffany  
D526,137 S \* 8/2006 Rech ..... D6/376  
D591,966 S 5/2009 Bouroullec  
D597,333 S 8/2009 Kirar  
D670,926 S \* 11/2012 Ukmar ..... D6/349  
D774,793 S 12/2016 Cazzaniga  
D782,857 S 4/2017 Guck et al.  
D807,091 S 1/2018 Morrison  
D814,203 S 4/2018 Liu  
D814,814 S 4/2018 Spoelhof et al.  
D829,015 S 9/2018 Cazzaniga

(Continued)

**OTHER PUBLICATIONS**

Sidera Chair. CB2. SKU: 578159. <https://www.cb2.com/sidera-chair/s578159> (Published at least as early as Jun. 18, 2018).

(Continued)

*Primary Examiner* — R. Johnson

(74) *Attorney, Agent, or Firm* — Jeffrey G. Sheldon; Katherine B. Sales; Cislo & Thomas LLP

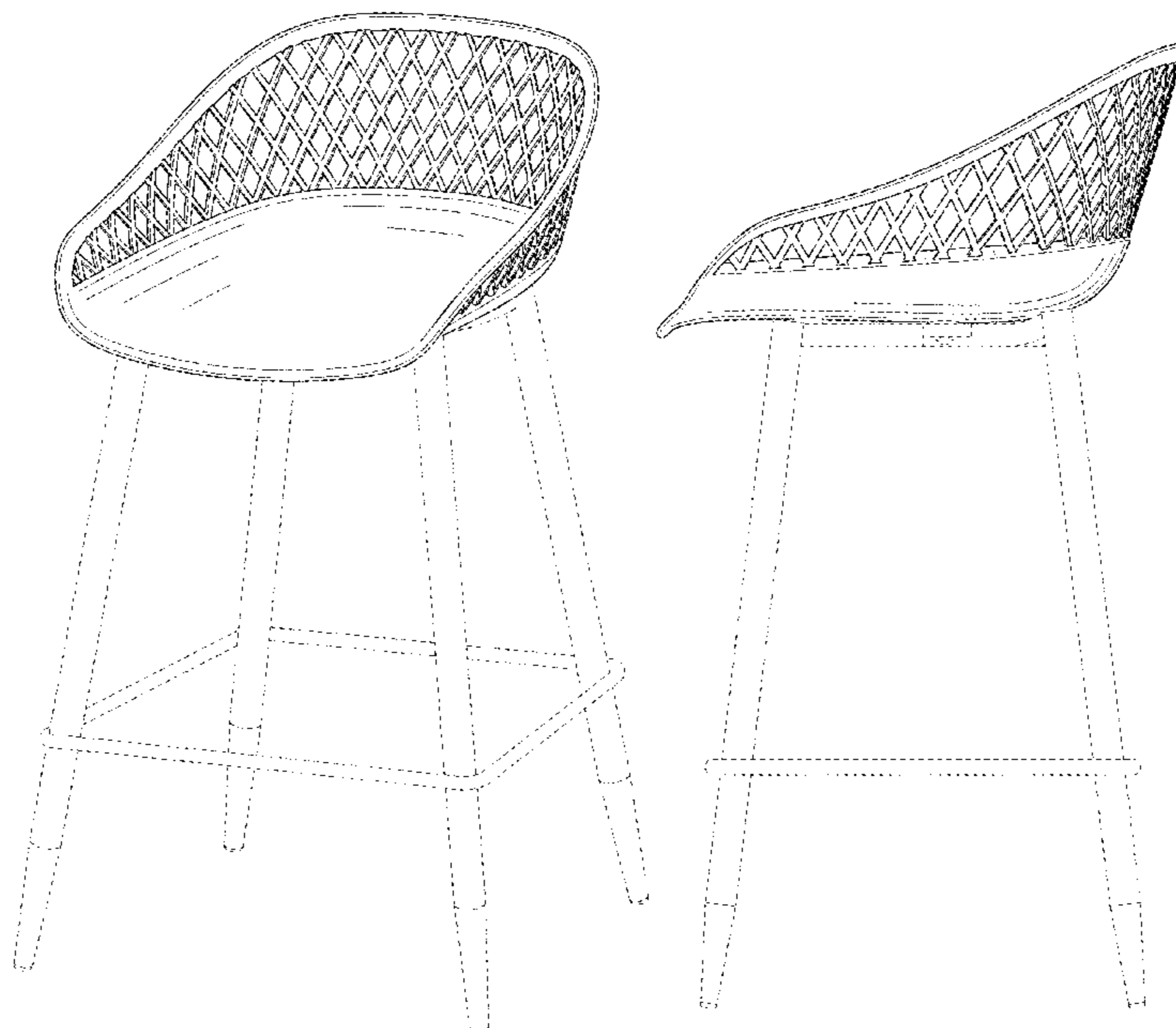
(57) **CLAIM**

The ornamental design for a chair, as shown and described.

**DESCRIPTION**

FIG. 1 is a perspective view of a chair showing my new design;  
FIG. 2 is a side elevation view of the chair shown in FIG. 1, where the other side elevation view is a mirror image;  
FIG. 3 is a front elevation view of the chair shown FIG. 1;  
FIG. 4 is a rear elevation view of the chair shown in FIG. 1;  
FIG. 5 is a top plan view of the chair shown in FIG. 1; and,  
FIG. 6 is a bottom plan view of the chair shown in FIG. 1.  
All portions of the drawings shown in dashed lines are for illustrative purposes only and form no part of the claimed design.

**1 Claim, 5 Drawing Sheets**



(56)

**References Cited**

U.S. PATENT DOCUMENTS

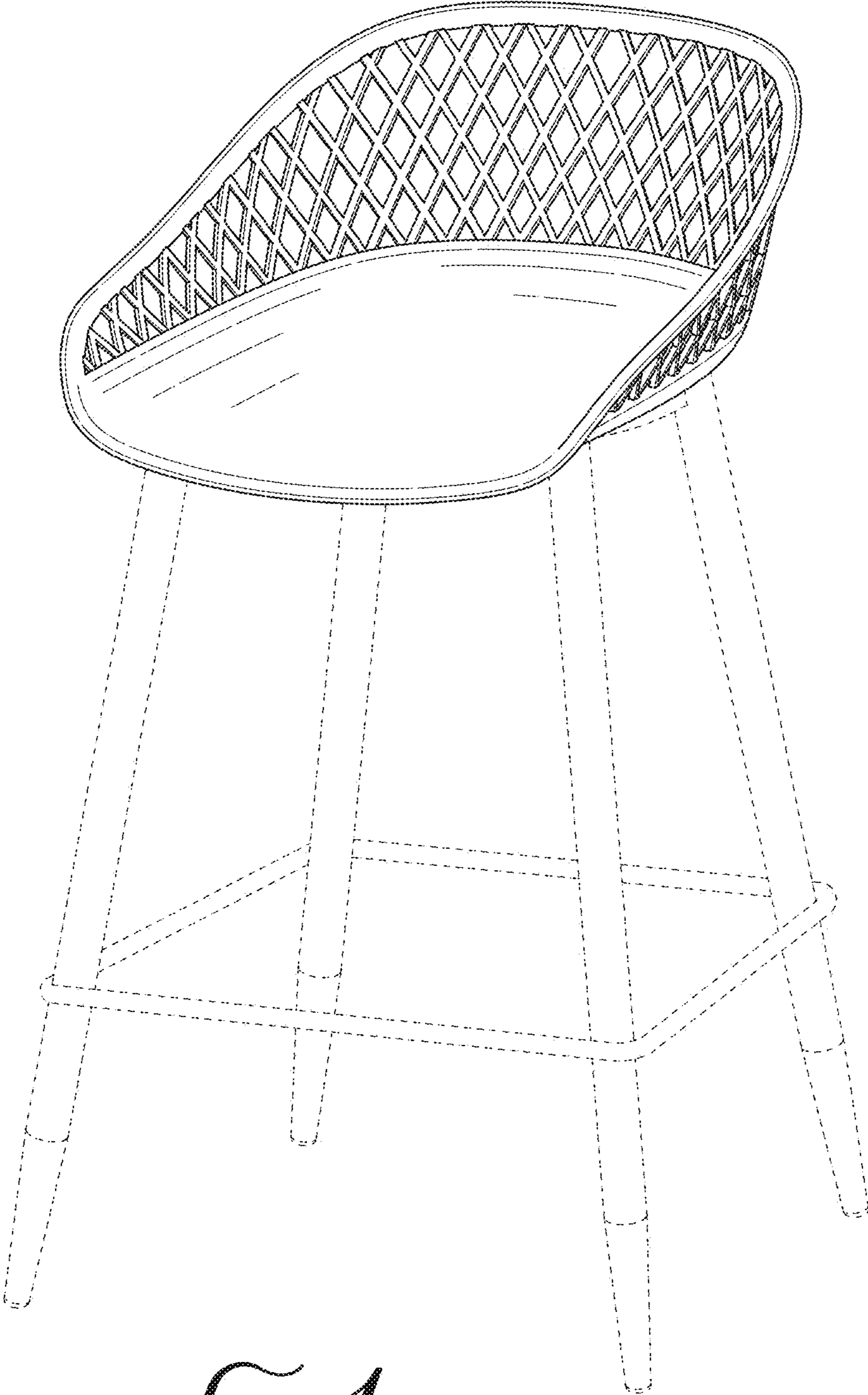
D836,356 S	12/2018	Yoshioka	
D843,126 S *	3/2019	Norguet .....	D6/376
D860,667 S	9/2019	Urquiola	
D867,777 S *	11/2019	Reybier .....	D6/358
D891,796 S *	8/2020	Li .....	D6/349
D895,991 S *	9/2020	Dardashti .....	D6/360

OTHER PUBLICATIONS

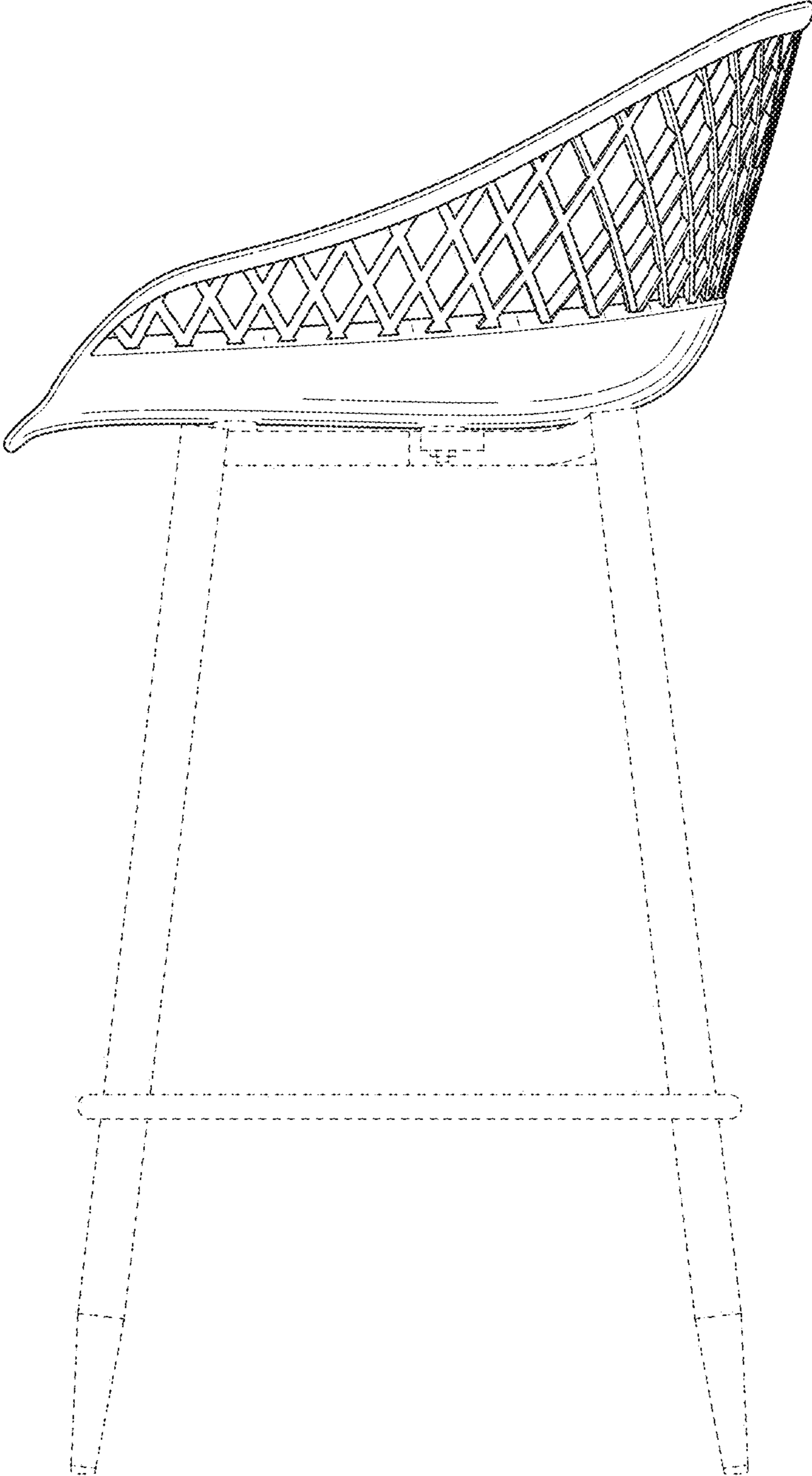
Sidera Black Bar Stool. CB2. SKU: 640795. <https://www.cb2.com/sidera-black-bar-stool-30/s640795> (Published at least as early as Jun. 18, 2019).

Kurv Chair—White (2 Pack). Jamesdar. JBCHA953-WH. <https://www.jamesdar.com/product-page/kurv-chair-2-pack>; (published at least as early as Jun. 18, 2018).

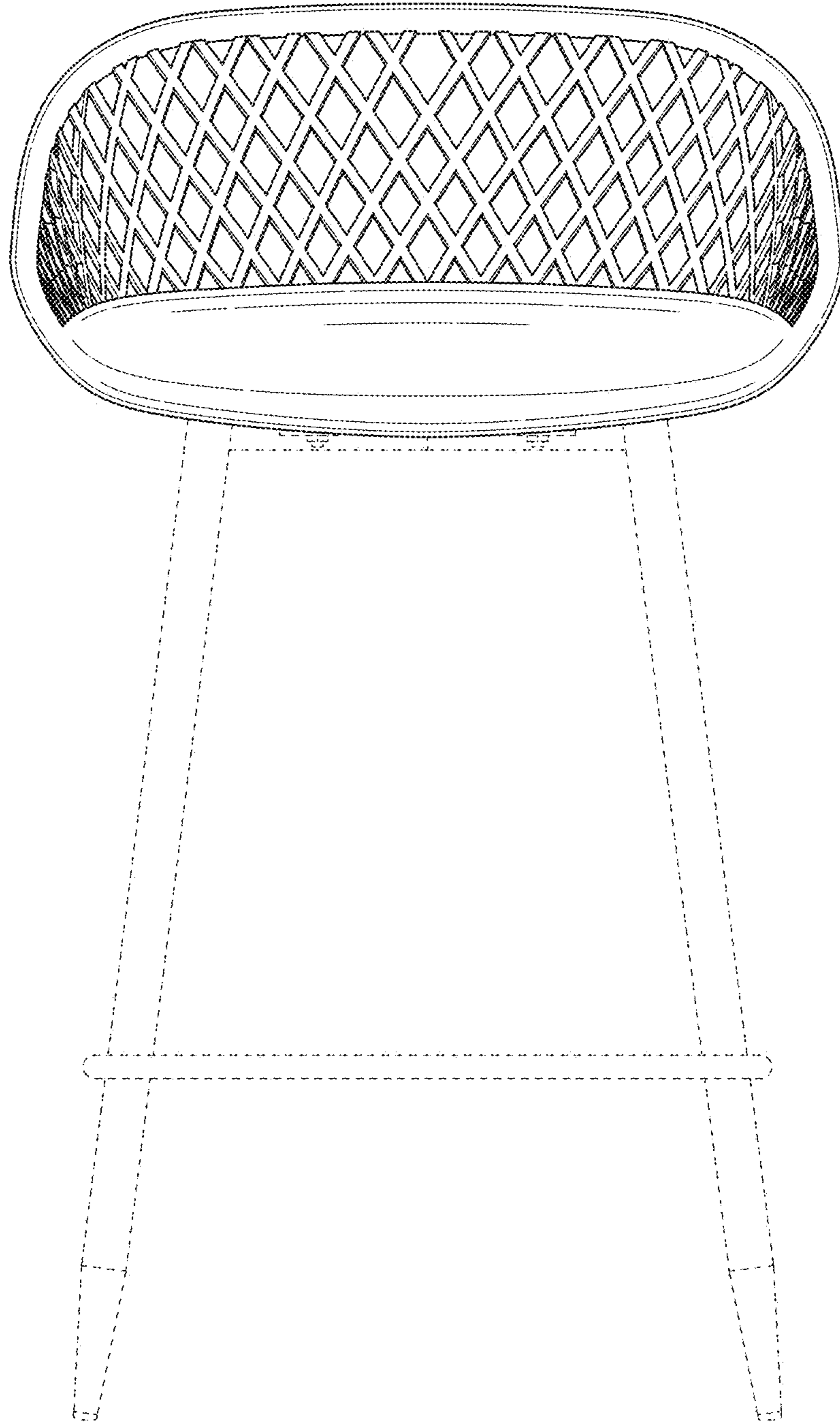
\* cited by examiner



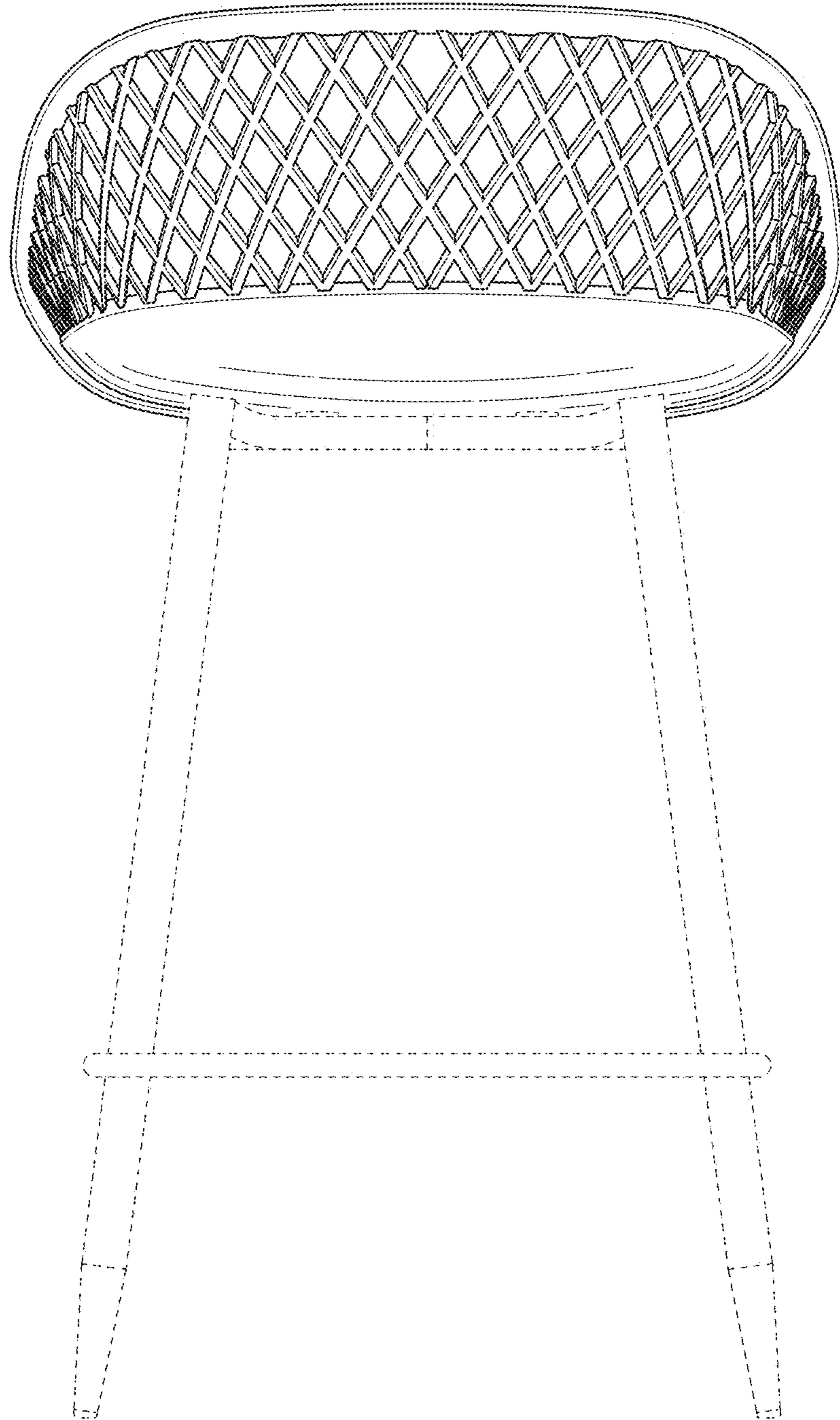
*FIG. 1*



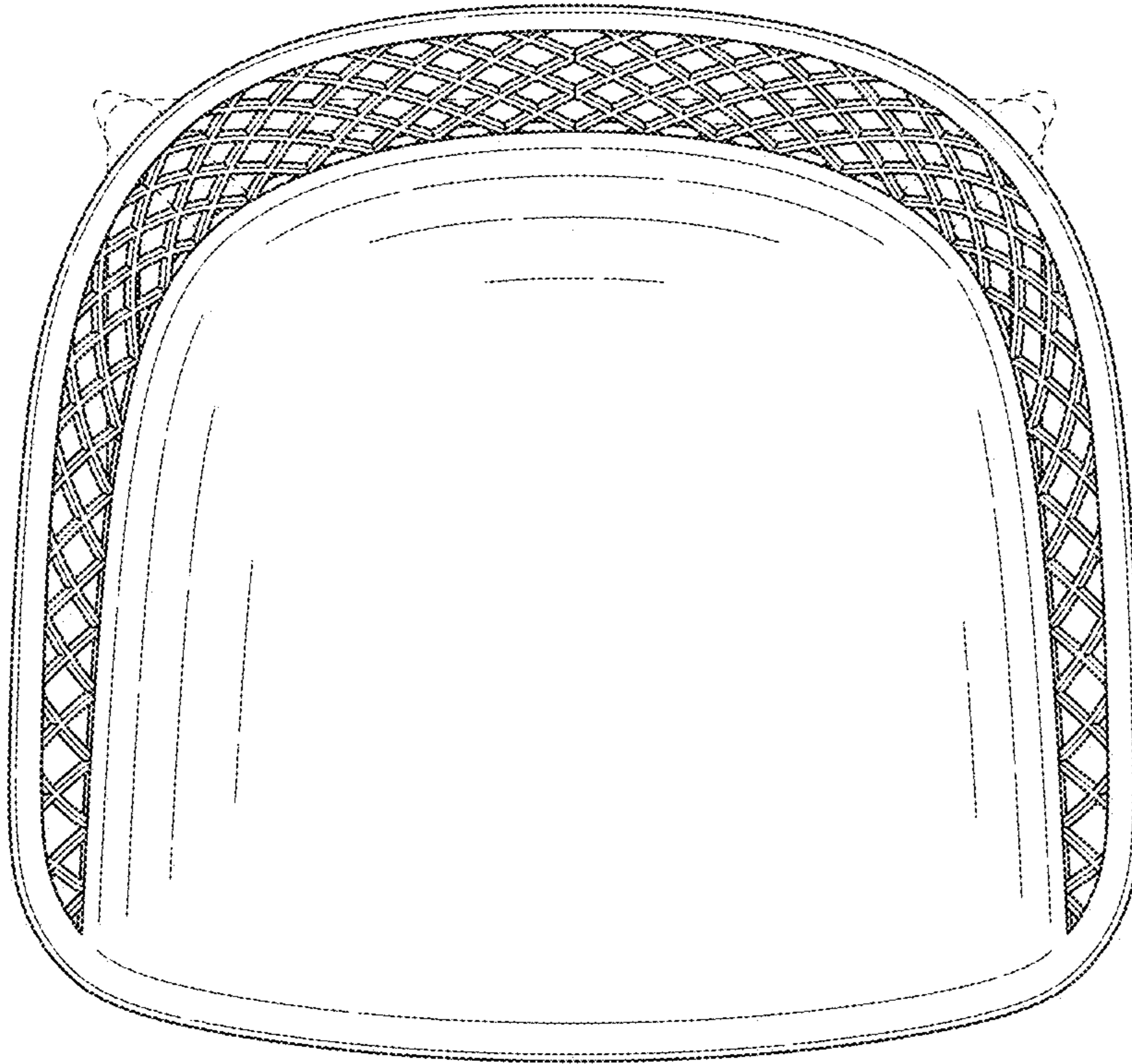
*FIG. 2*



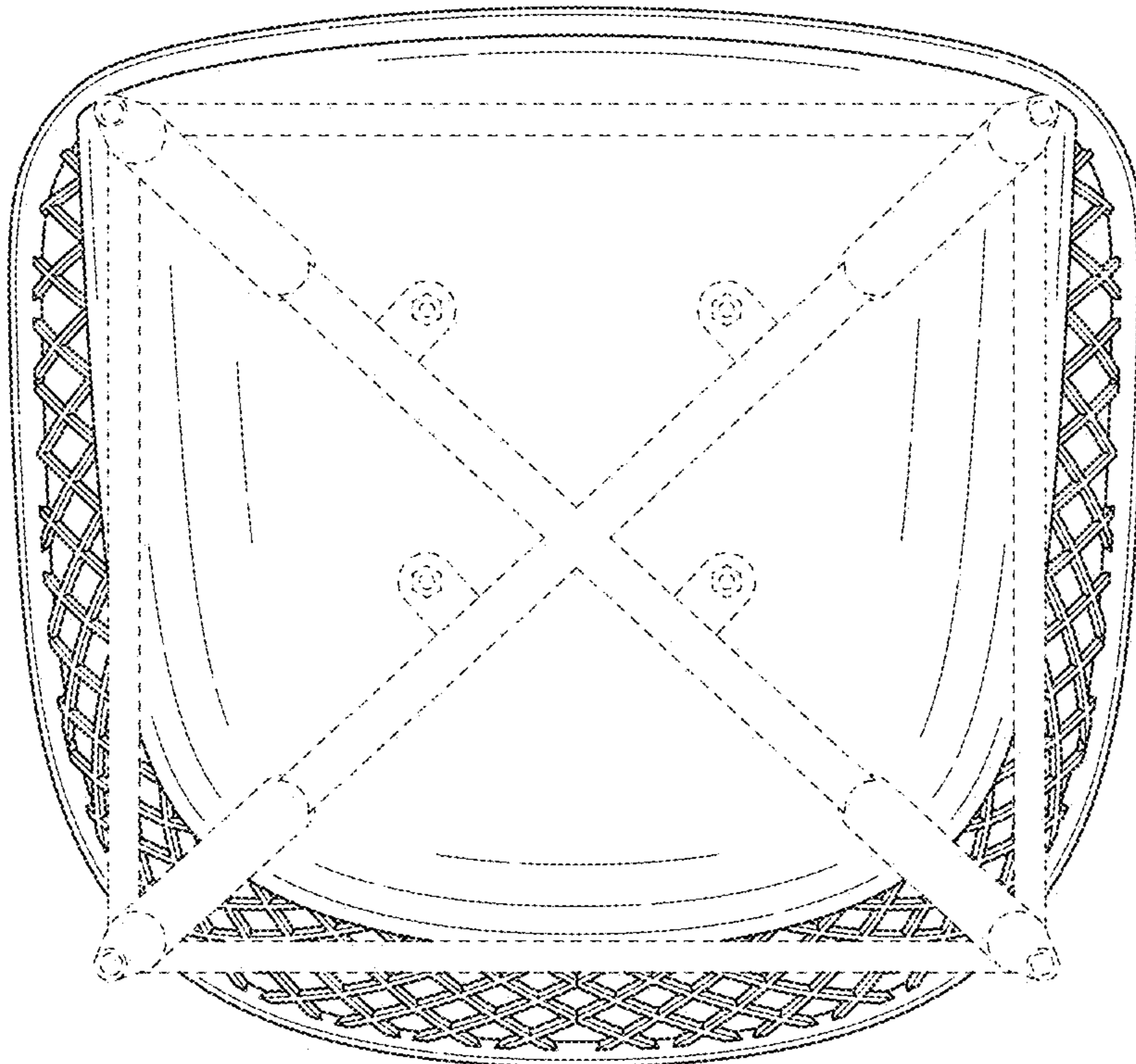
*FIG. 3*



*FIG. 4*



*FIG. 5*



*FIG. 6*