



US00D923949S

(12) **United States Design Patent**
Sun

(10) **Patent No.:** **US D923,949 S**

(45) **Date of Patent:** **** Jul. 6, 2021**

(54) **HAMMOCK CHAIR**

(71) Applicant: **Yuli Sun**, Shandong (CN)

(72) Inventor: **Yuli Sun**, Shandong (CN)

(**) Term: **15 Years**

(21) Appl. No.: **29/753,033**

(22) Filed: **Sep. 29, 2020**

(51) **LOC (13) Cl.** **06-01**

(52) **U.S. Cl.**
USPC **D6/347**

(58) **Field of Classification Search**
USPC D6/334, 335, 336, 344, 347, 369, 375,
D6/716, 716.1, 716.2, 716.4, 387;
D21/823
CPC A47C 3/0255; A47C 7/282; A47C 7/285;
A47C 5/02; A45F 3/22; A45F 3/24; A45F
3/26; A63G 9/00; A63G 9/02; A63G
9/04; A63G 9/12; A63G 9/14
See application file for complete search history.

(56) **References Cited**

U.S. PATENT DOCUMENTS

3,099,484 A * 7/1963 Williams A63G 9/00
297/280
D215,211 S * 9/1969 Cohn D6/347

D254,458 S 3/1980 Wakefield
D287,671 S 1/1987 Bockd
D348,161 S 6/1994 Craig
D414,045 S 9/1999 Morrow
D679,104 S * 4/2013 Pouzet D6/347
D821,109 S 6/2018 Wehner
D829,455 S 10/2018 Sabbagh
D845,656 S * 4/2019 McDonald D6/347
D871,785 S 1/2020 Wehner

* cited by examiner

Primary Examiner — Mimososa De

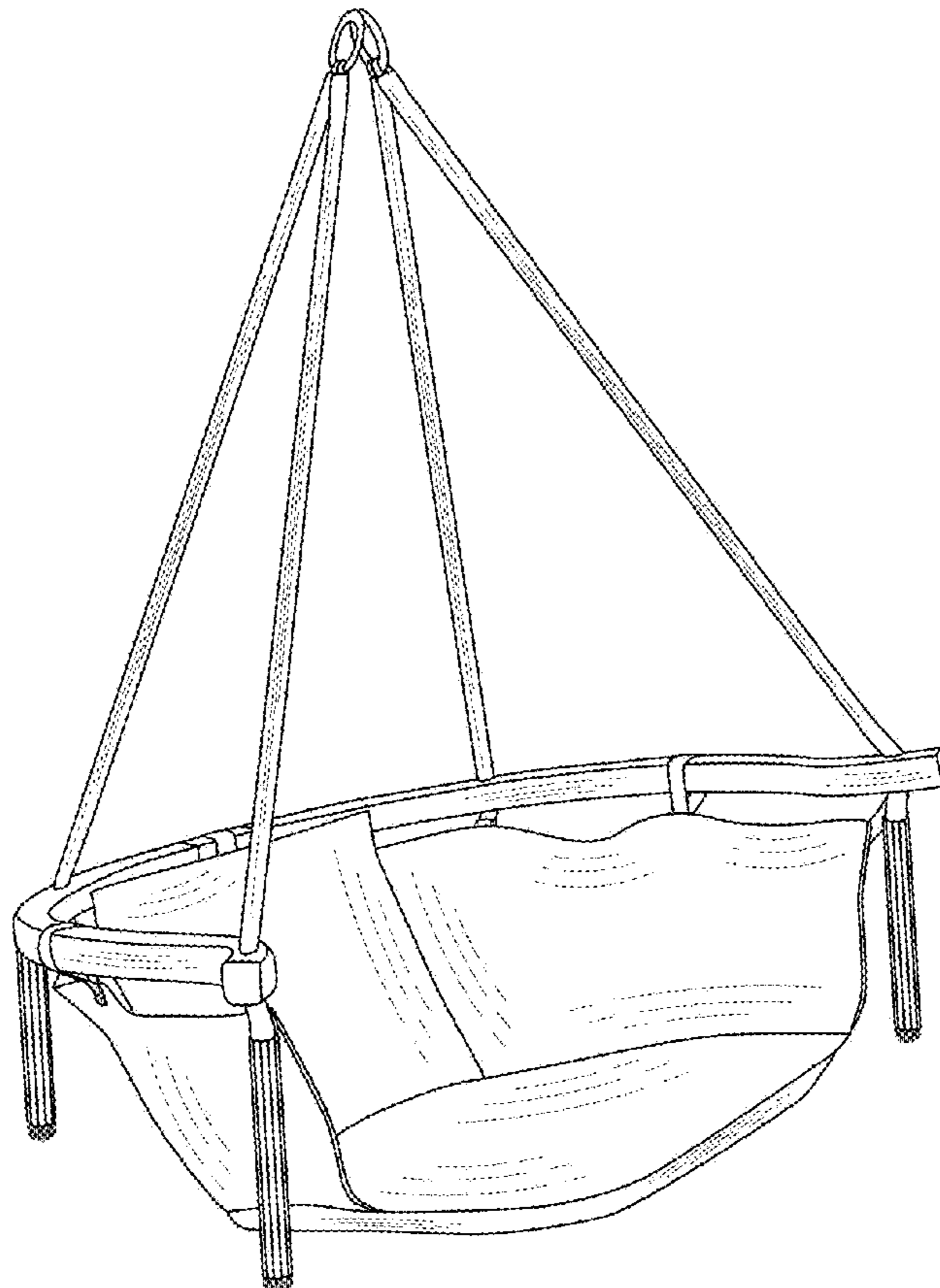
(57) **CLAIM**

The ornamental design for a hammock chair, as shown and described.

DESCRIPTION

FIG. 1 is a perspective view of a hammock chair showing my new design;
FIG. 2 is a front elevation view thereof;
FIG. 3 is a rear elevation view thereof;
FIG. 4 is a left side elevation view thereof;
FIG. 5 is a right side elevation view thereof;
FIG. 6 is a top plan view thereof; and,
FIG. 7 is a bottom plan view thereof.

1 Claim, 7 Drawing Sheets



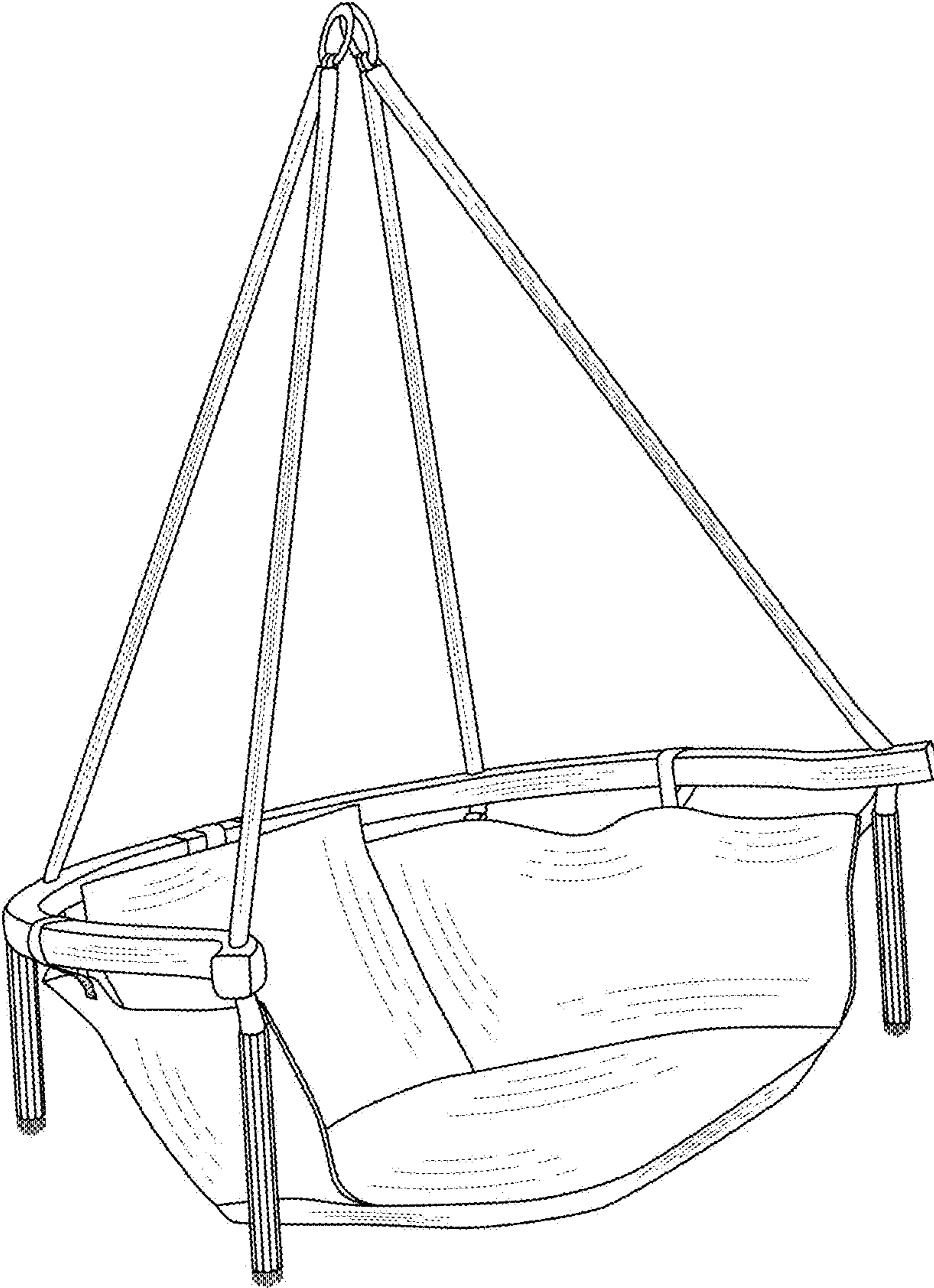


FIG.1

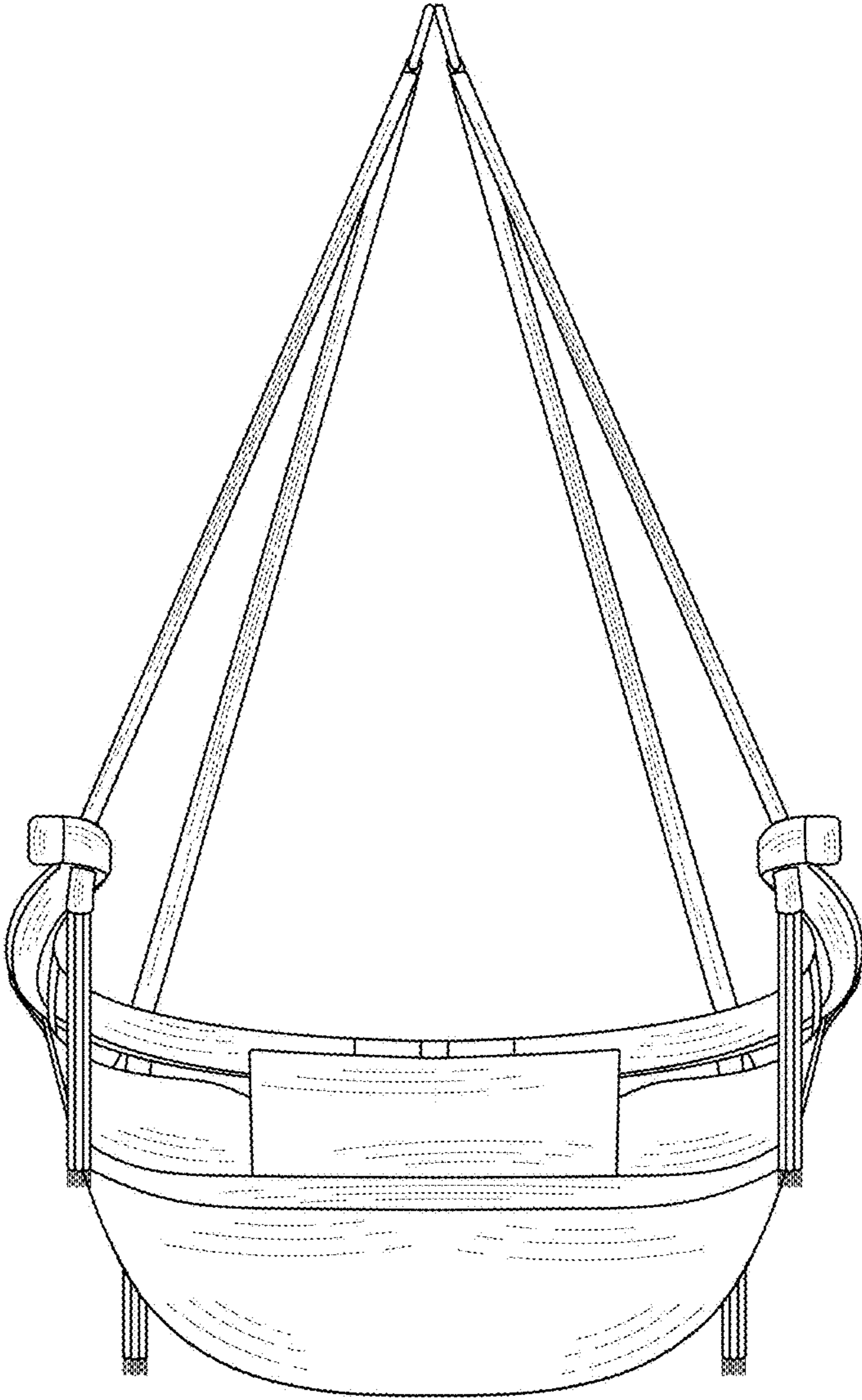


FIG.2

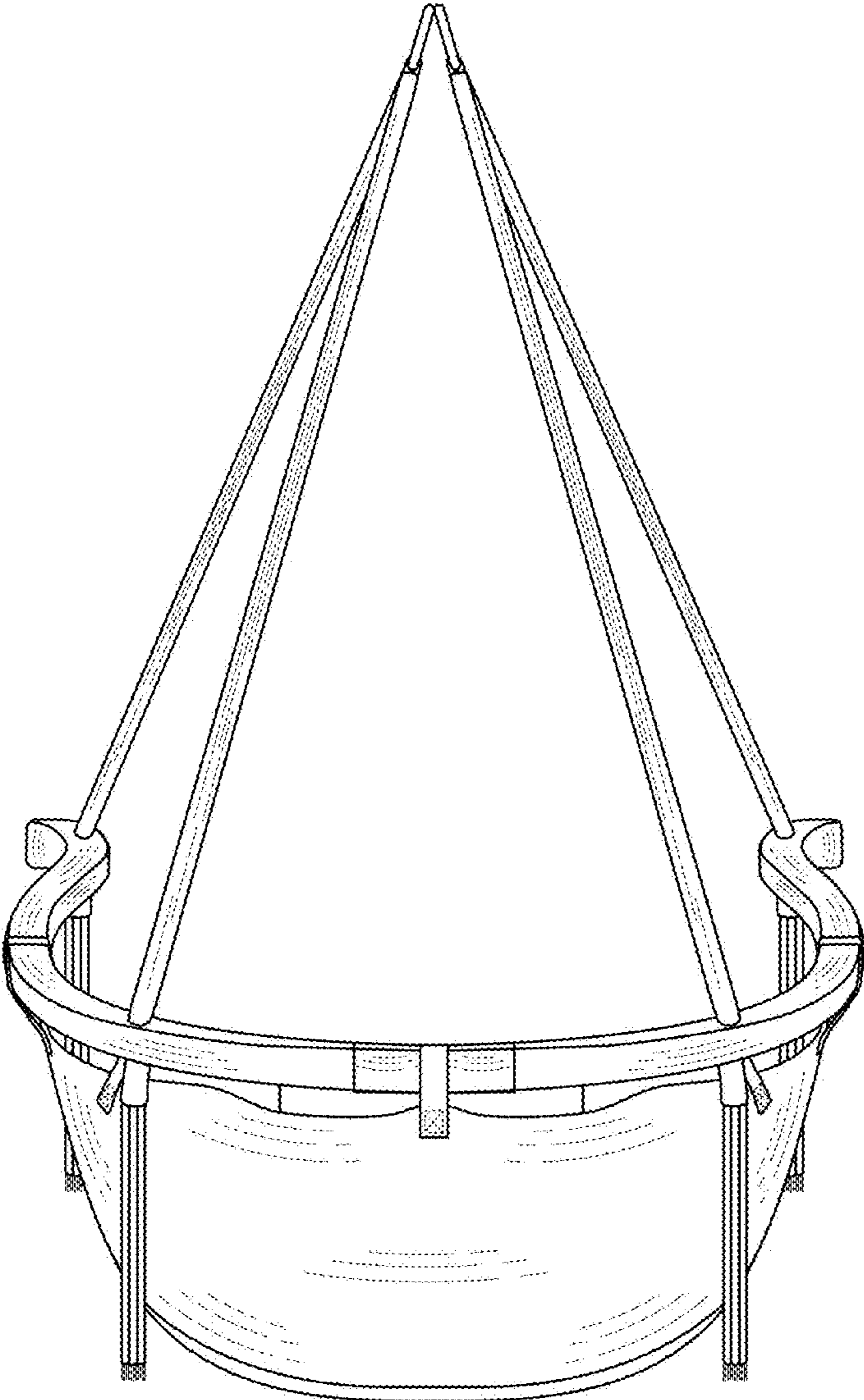


FIG.3

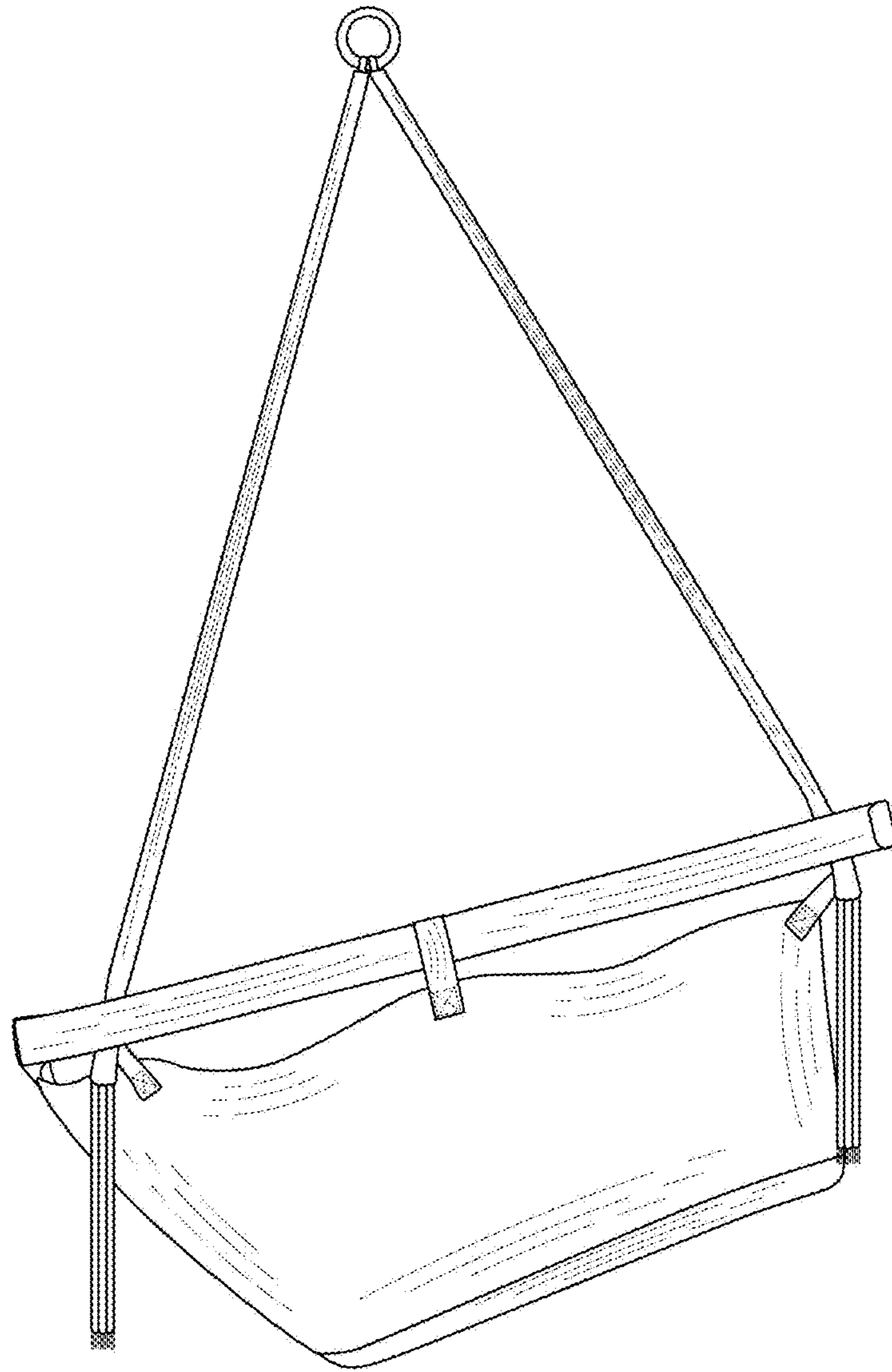


FIG.4

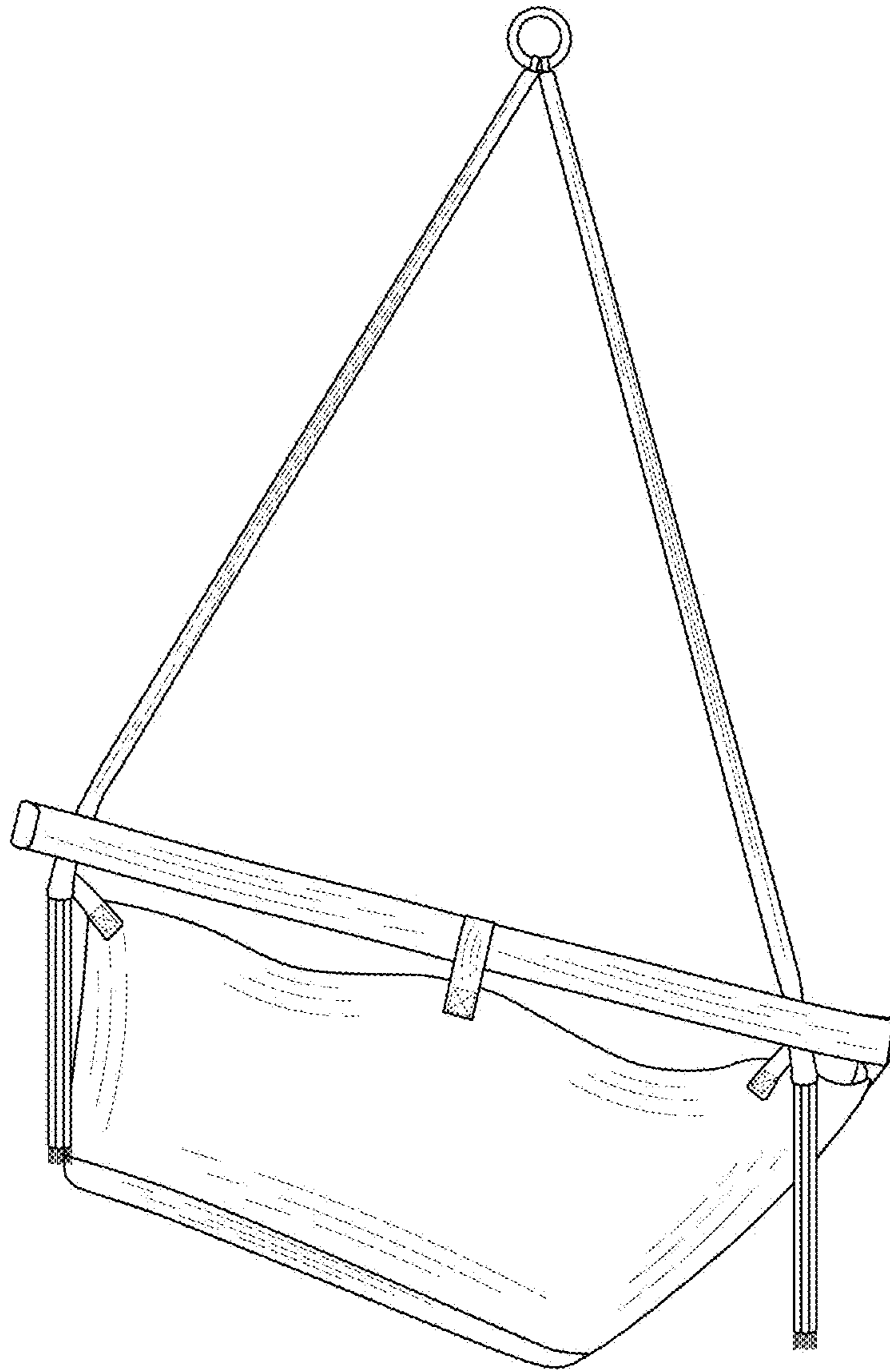


FIG. 5

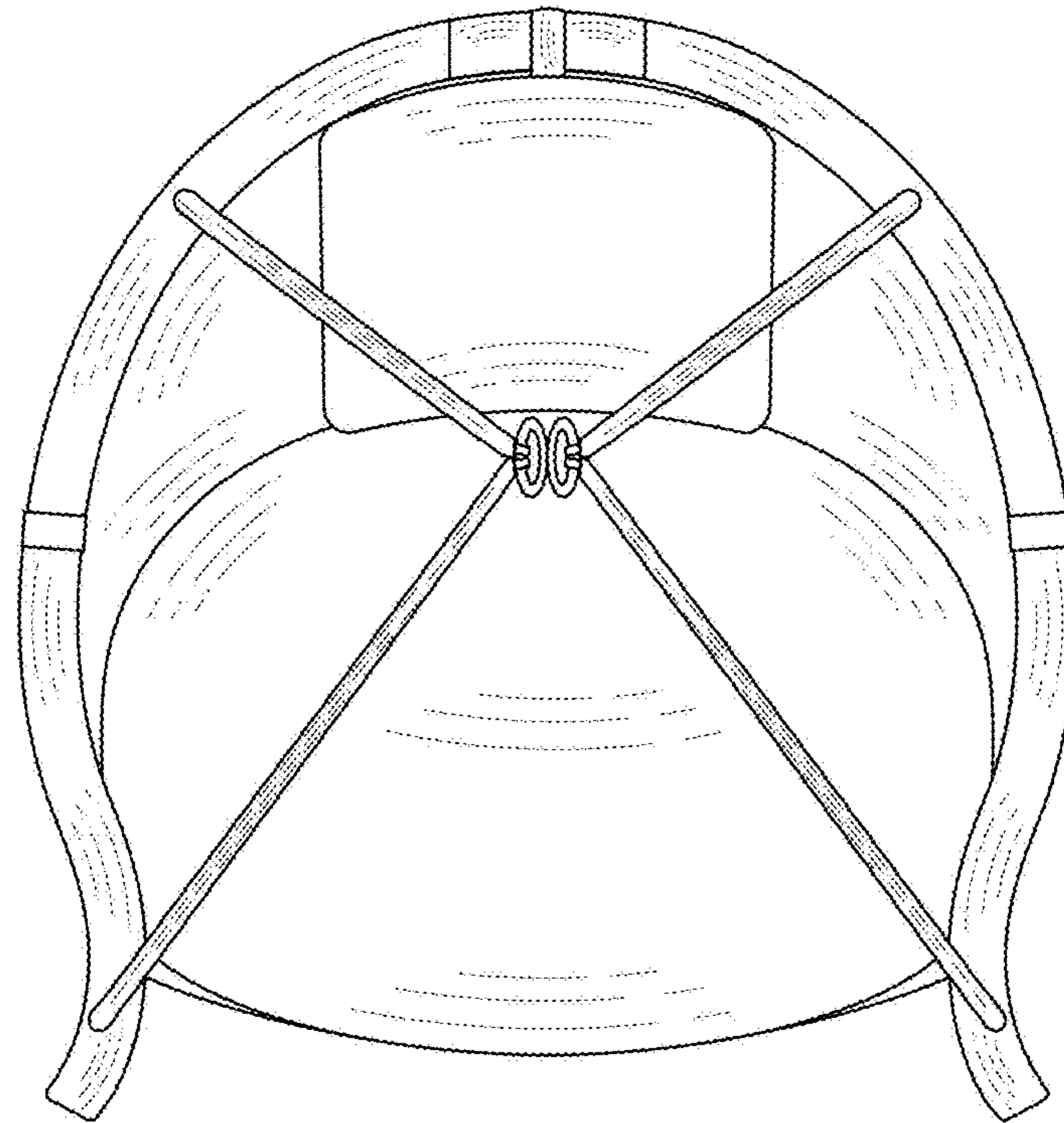


FIG.6

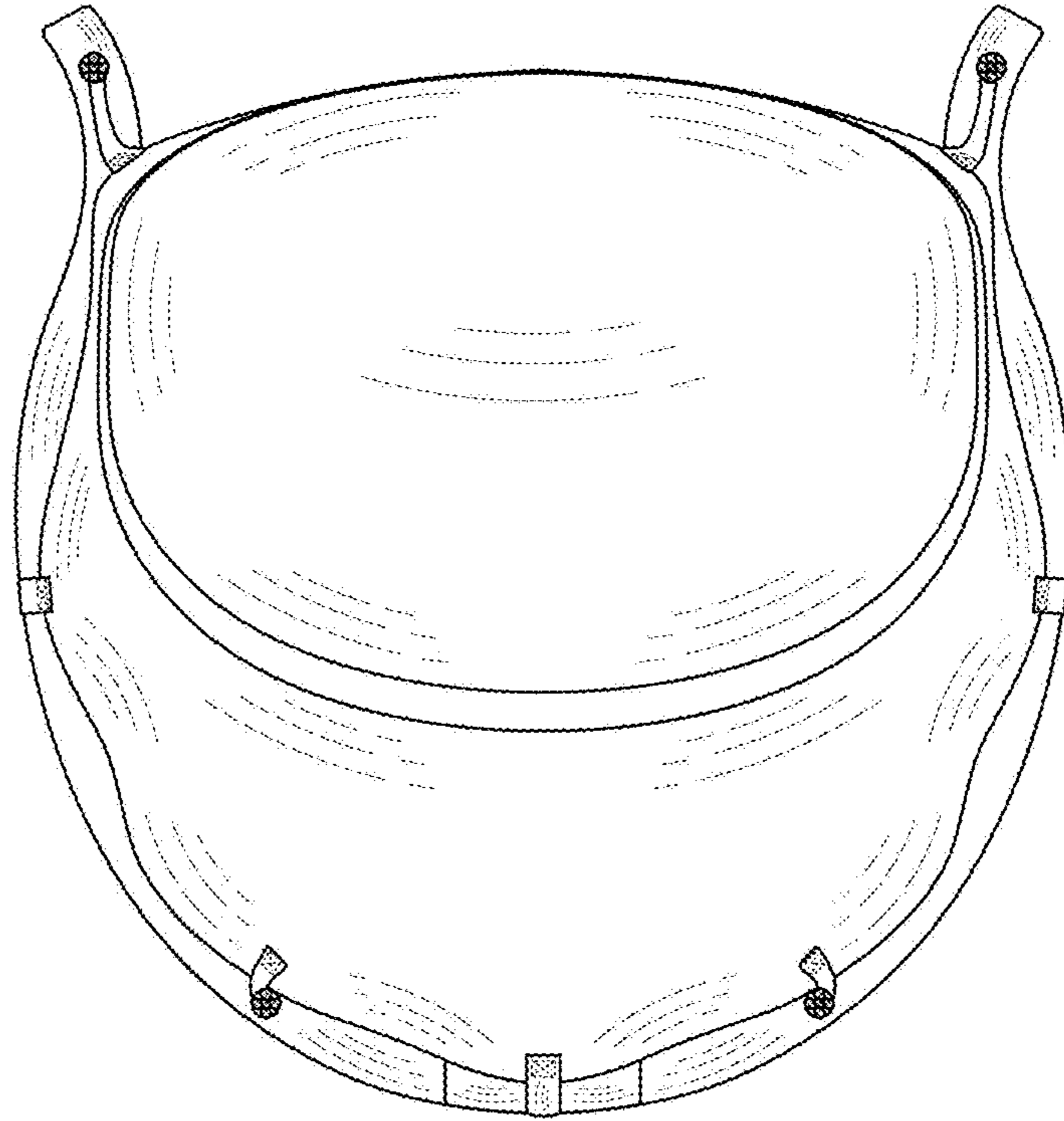


FIG. 7