

US00D923948S

(12) **United States Design Patent** (10) **Patent No.:** **US D923,948 S**
Micol (45) **Date of Patent:** **** Jul. 6, 2021**

(54) **FOLDABLE INFANT CHAIR**
(71) Applicant: **Shayna R Micol**, Chelmsford, MA (US)
(72) Inventor: **Shayna R Micol**, Chelmsford, MA (US)
(**) Term: **15 Years**
(21) Appl. No.: **29/709,174**
(22) Filed: **Oct. 11, 2019**
(51) **LOC (13) Cl.** **06-01**
(52) **U.S. Cl.**
USPC **D6/333**
(58) **Field of Classification Search**
USPC D6/333-336, 339-341, 344, 381, D6/716.1-716.7; 297/250.1, 255, 256.15, 297/183.1-183.4, 184.15, 184.17, 256.16; D12/129-130, 133; 5/94, 98.2, 103-104, 5/655, 655.3; D21/419; 280/30-31
CPC A47C 4/54; A47C 4/40; A47C 4/42; A47C 4/48; A47C 7/021; A47C 7/022; A47C 31/11; A47C 5/06; A47C 5/10
See application file for complete search history.

(56) **References Cited**
U.S. PATENT DOCUMENTS
4,886,697 A 12/1989 Perdelwitz, Jr et al.
5,360,258 A 11/1994 Alivizatos
D360,082 S * 7/1995 Tseng D6/368
5,617,594 A 4/1997 Chien
5,806,925 A 9/1998 Hanley
5,947,552 A 9/1999 Wilkins et al.
D431,382 S * 10/2000 Eloge D6/368
6,428,098 B1 8/2002 Albaugh
D478,220 S * 8/2003 Chang D6/333
7,320,223 B1 1/2008 Dabney et al.
7,360,772 B2 4/2008 Koch
7,444,695 B2 11/2008 Gonzalez

7,806,472 B2 10/2010 Runk et al.
8,468,629 B2 6/2013 Beevers et al.
D691,384 S * 10/2013 Akkad D6/368
D772,587 S * 11/2016 Micol D6/333
(Continued)

FOREIGN PATENT DOCUMENTS

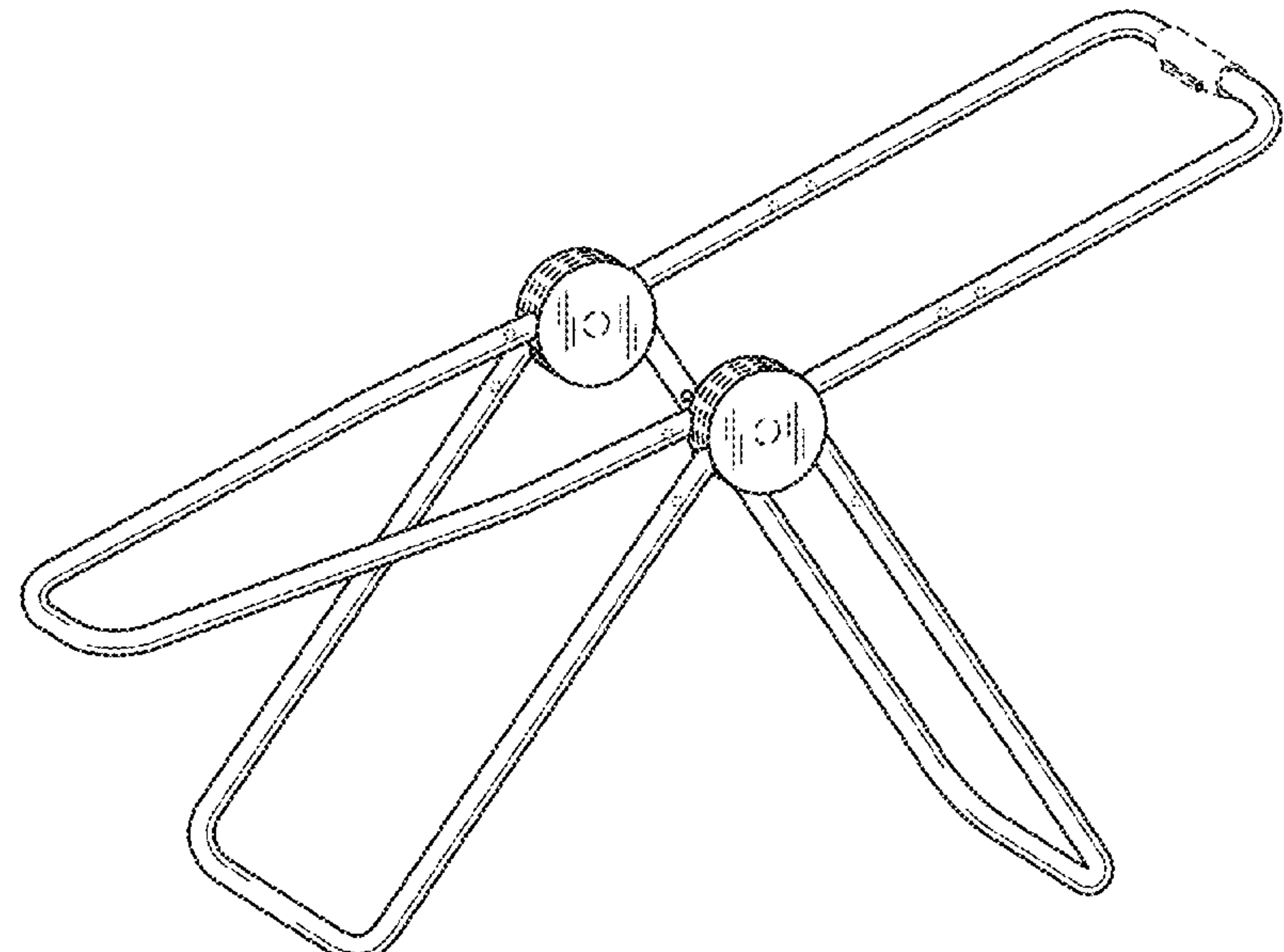
GB 2129288 B 6/1986
Primary Examiner — Abraham Bahta
(74) *Attorney, Agent, or Firm* — Danielson Legal LLC

(57) **CLAIM**
The ornamental design for a foldable infant chair, as shown and described.

DESCRIPTION

FIG. 1 shows a perspective view of the foldable infant chair, the foldable infant chair being in an unfolded configuration; FIG. 2 shows the right side view of the foldable infant chair of FIG. 1; FIG. 3 shows the left side view of the foldable infant chair of FIG. 1; FIG. 4 shows the front view of the foldable infant chair of FIG. 1; FIG. 5 shows the back view of the foldable infant chair of FIG. 1; FIG. 6 shows the top view of the unfolded infant chair of FIG. 1; FIG. 7 shows the bottom view of the unfolded infant chair of FIG. 1; FIG. 8 shows a right side view of the foldable infant chair of FIG. 1, the foldable infant chair being in a partially folded configuration; and, FIG. 9 shows a perspective view of the foldable infant chair of FIG. 1, the foldable infant chair being in a fully folded configuration.
The broken lines represent portions of the article that form no part of the claim.

1 Claim, 8 Drawing Sheets



(56)

References Cited

U.S. PATENT DOCUMENTS

D878,778 S * 3/2020 Liang D6/333
2013/0154320 A1 6/2013 Byrd

* cited by examiner

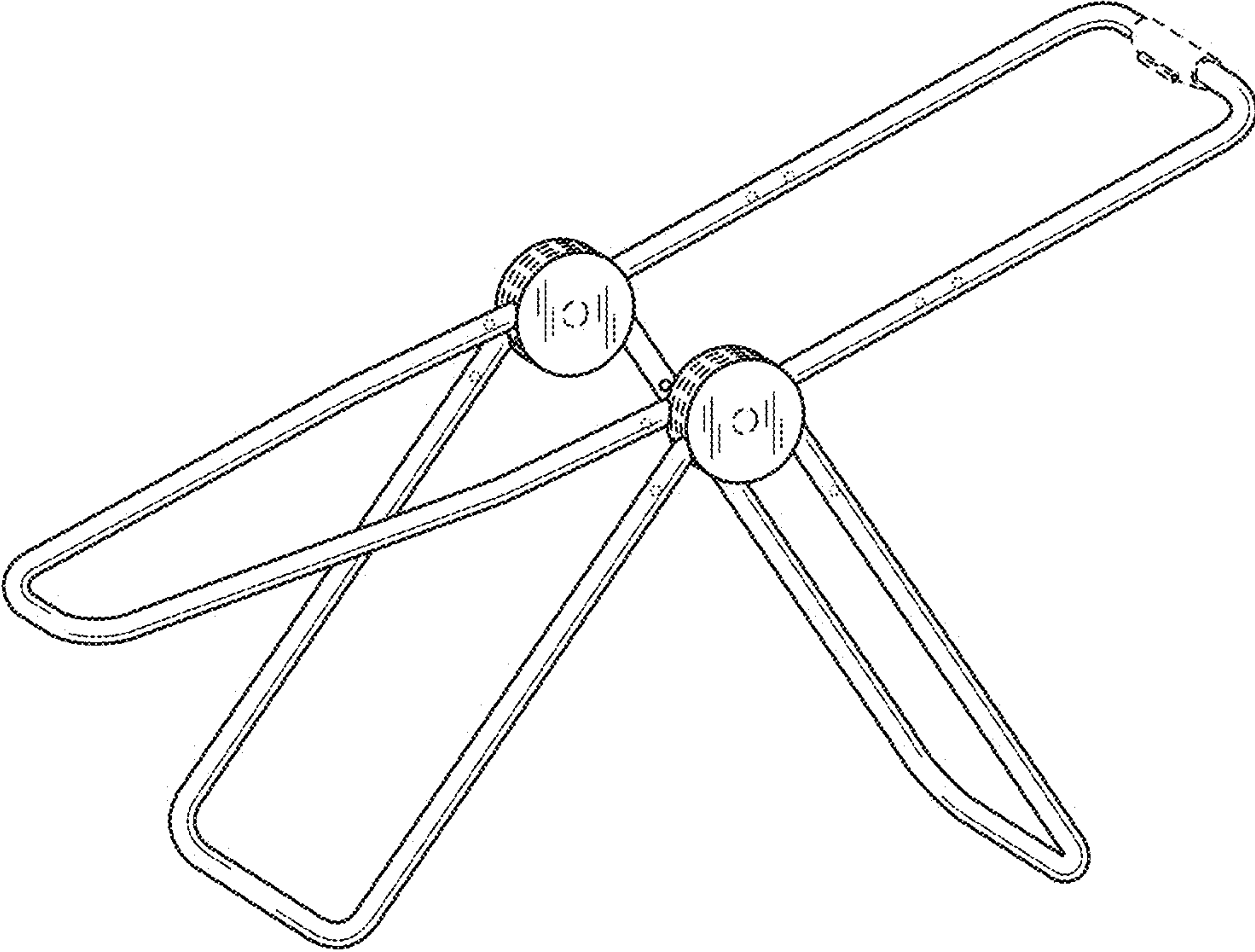


FIG. 1

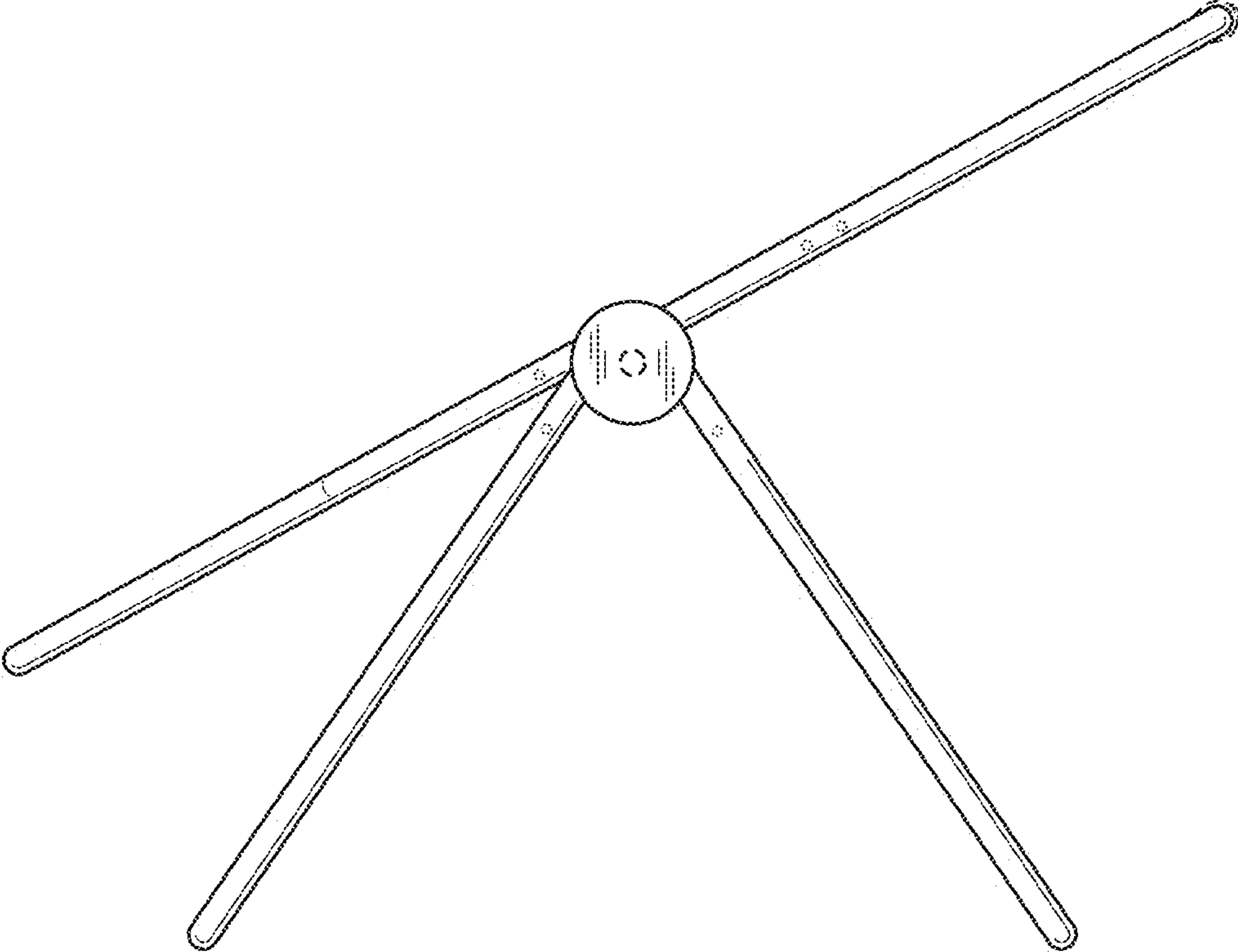


FIG. 2

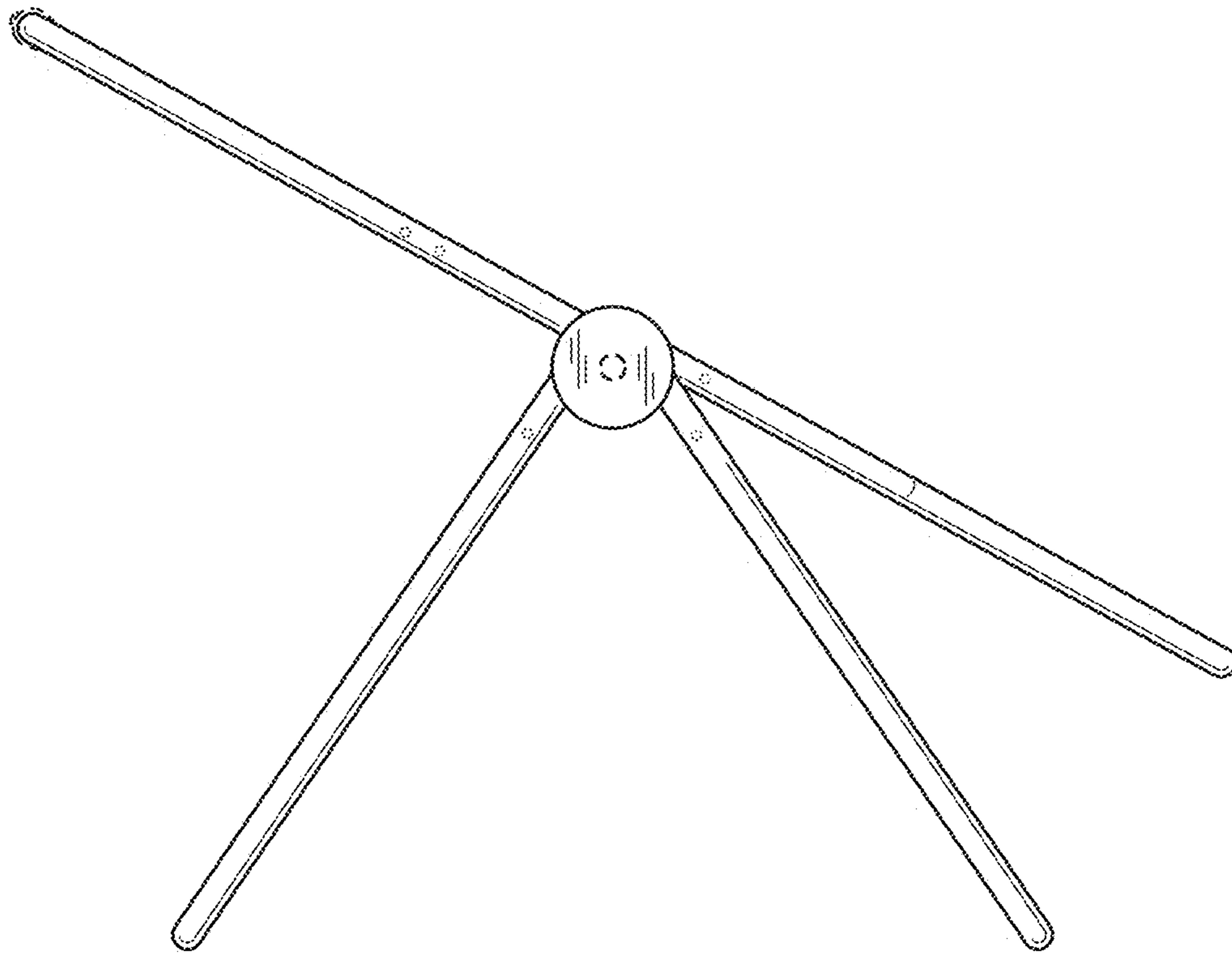


FIG. 3

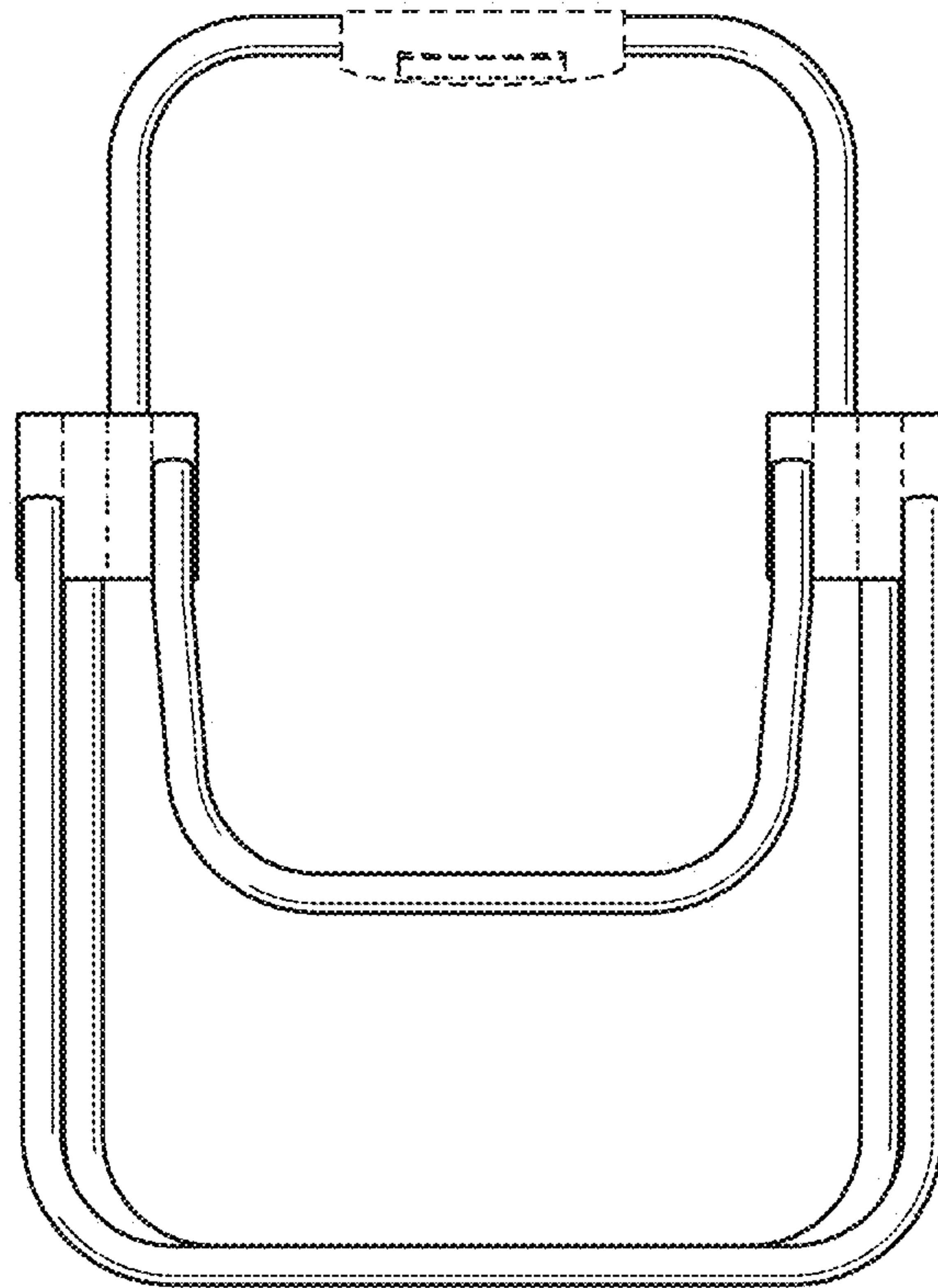


FIG. 4

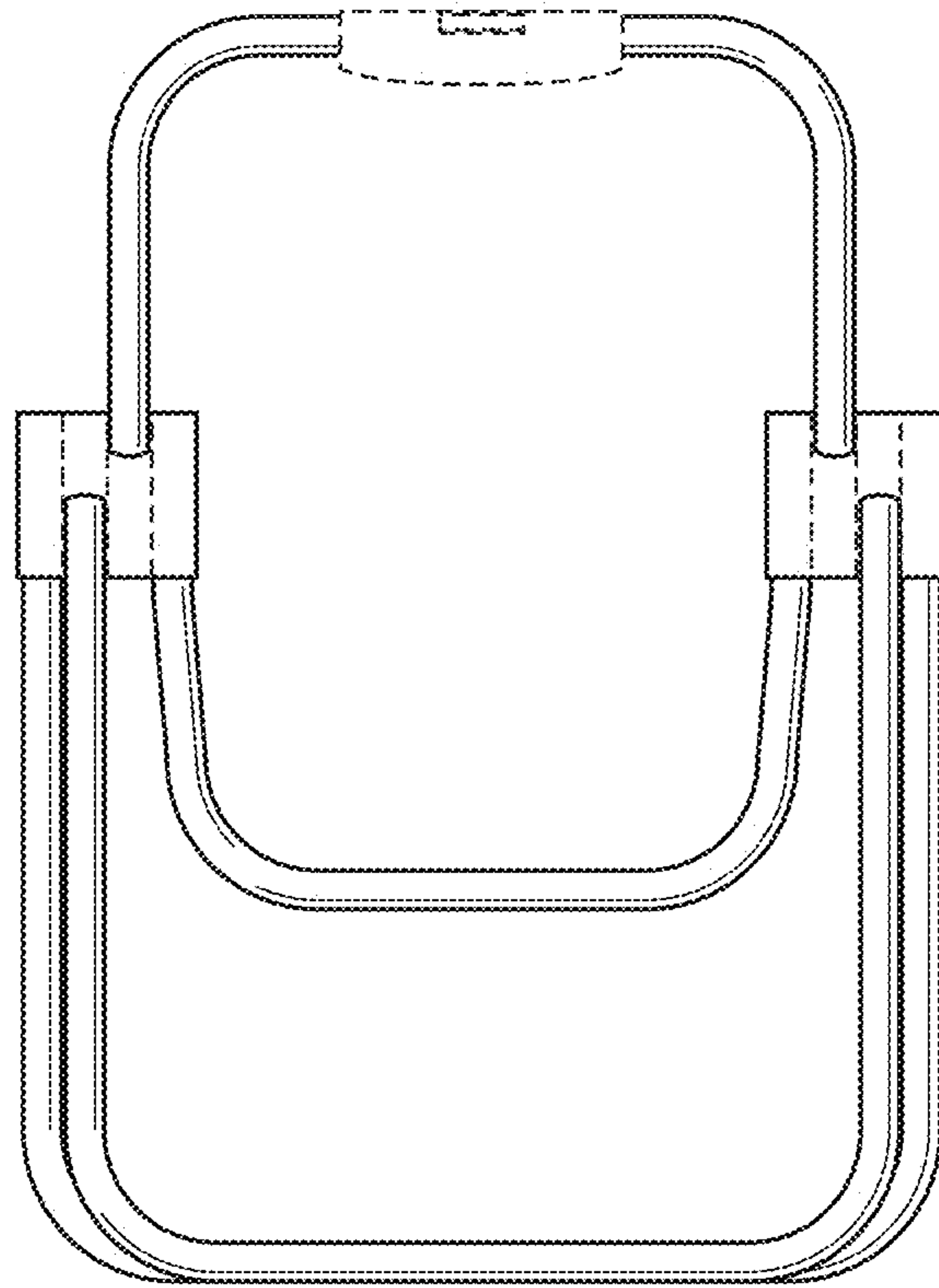


FIG. 5

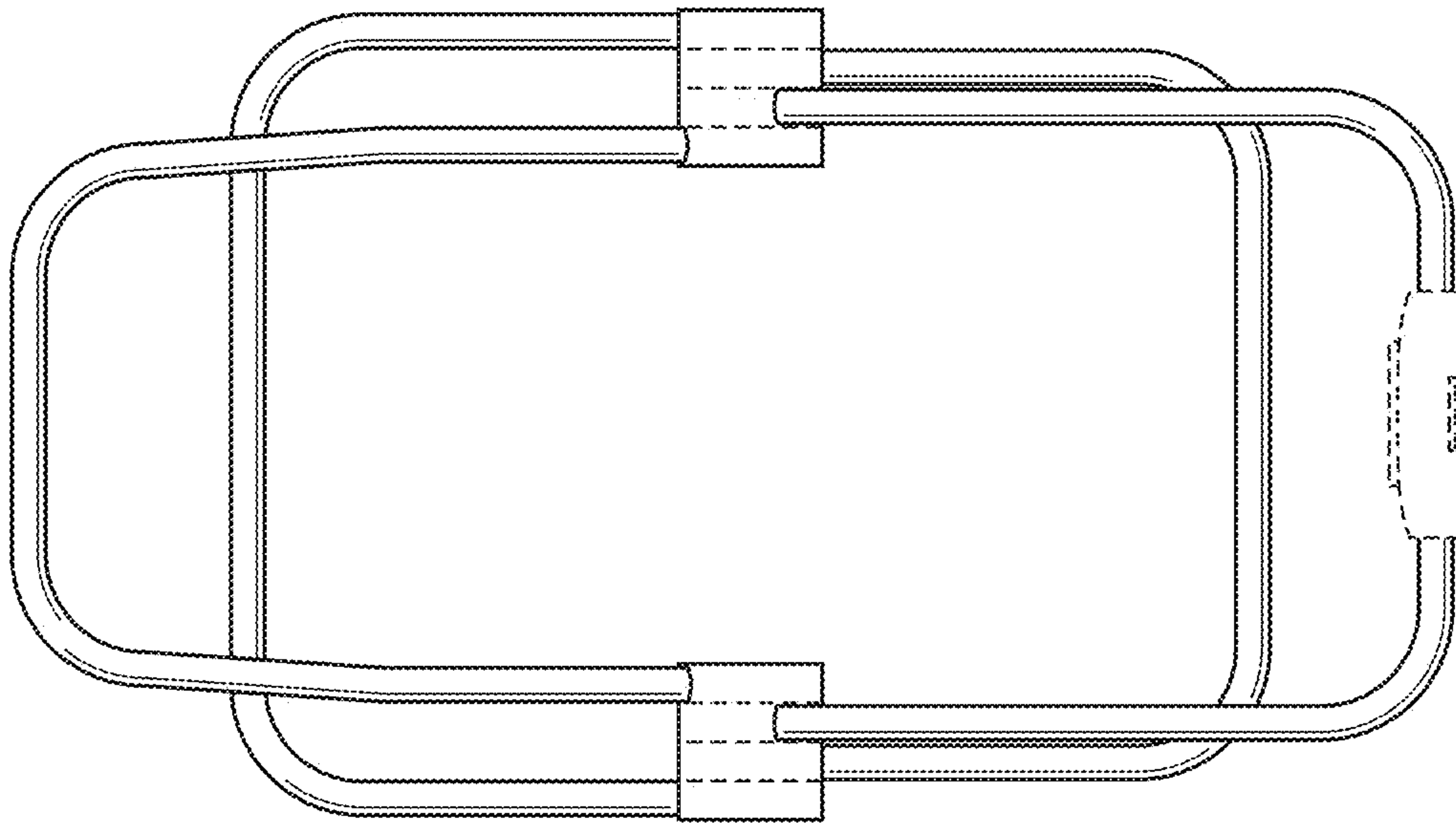


FIG. 6

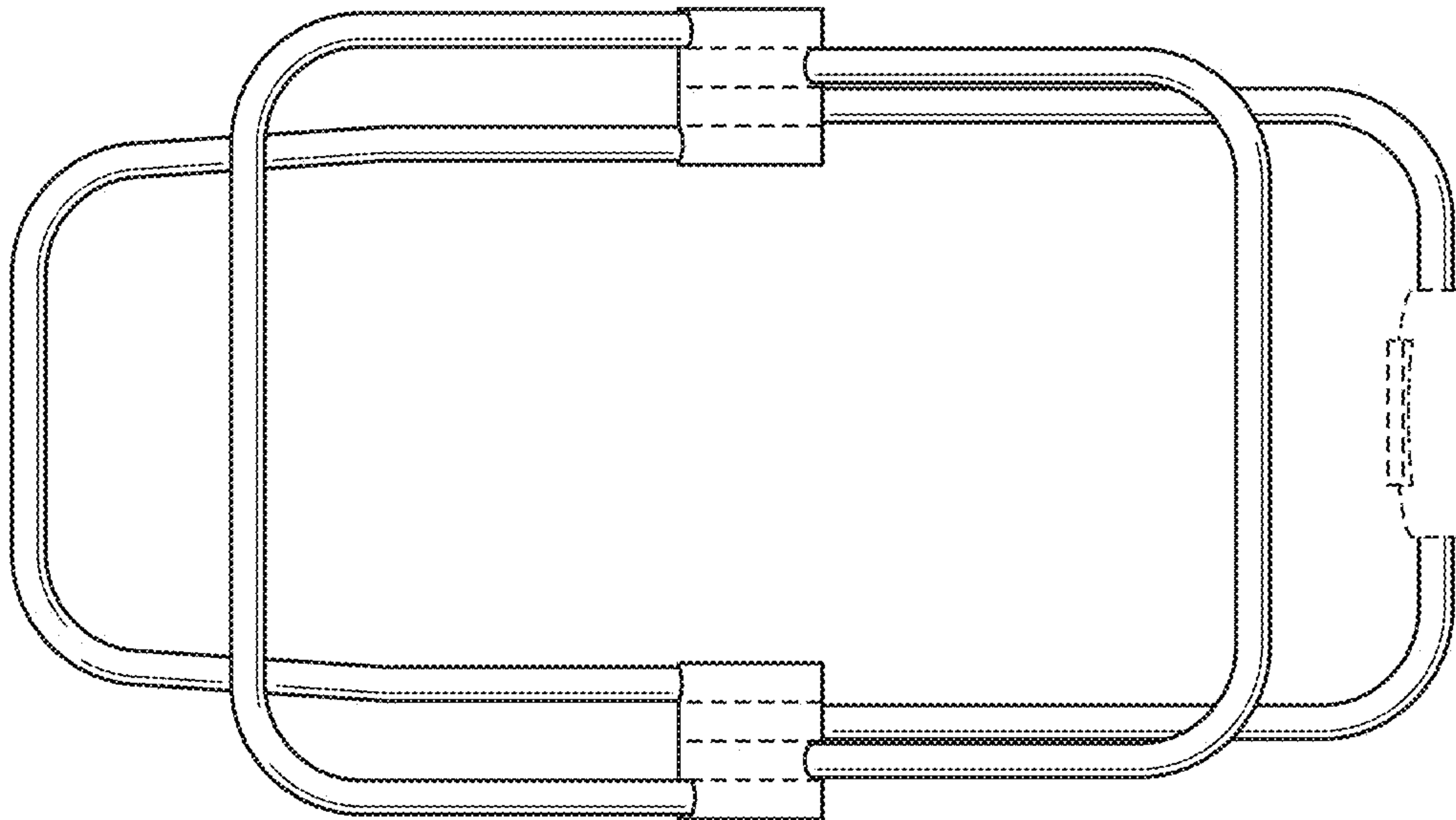


FIG. 7

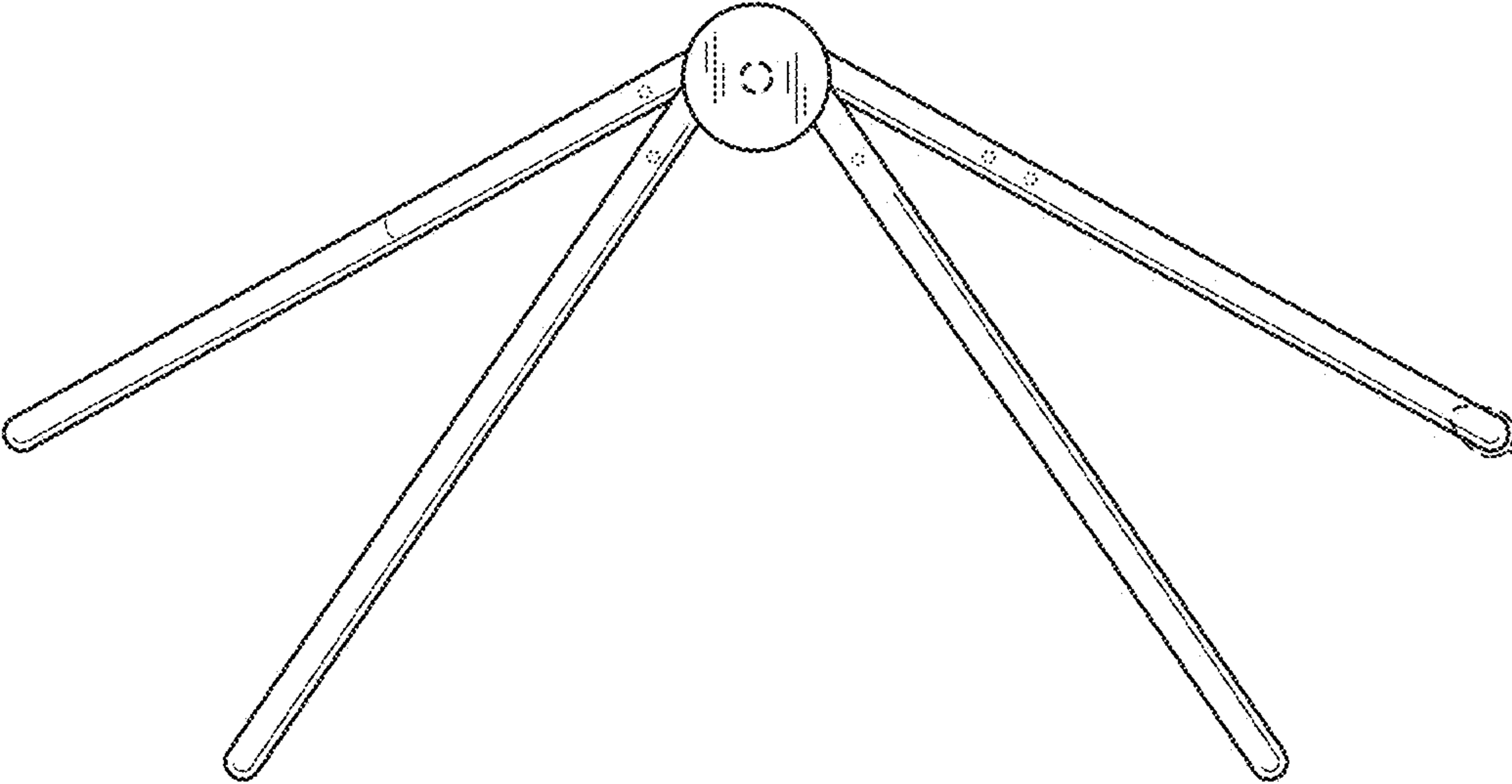


FIG. 8

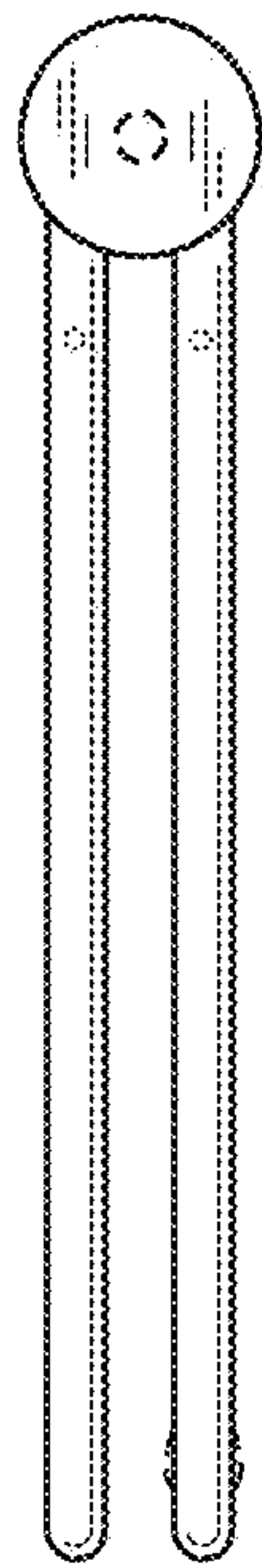


FIG. 9