



US00D923947S

(12) **United States Design Patent** (10) **Patent No.:** **US D923,947 S**
Du (45) **Date of Patent:** **** Jul. 6, 2021**

(54) **MIRROR**

FOREIGN PATENT DOCUMENTS

(71) Applicant: **Yafeng Du**, Jixi (CN)

CN 306418122 * 3/2021

(72) Inventor: **Yafeng Du**, Jixi (CN)

* cited by examiner

(**) Term: **15 Years**

Primary Examiner — Deanna L Pratt

(21) Appl. No.: **29/759,103**

(57) **CLAIM**

The ornamental design for a mirror, as shown and described.

(22) Filed: **Nov. 20, 2020**

DESCRIPTION

(51) **LOC (13) Cl.** **06-07**

(52) **U.S. Cl.**

USPC **D6/310**

(58) **Field of Classification Search**

USPC D6/300–314

CPC .. A47G 1/00; A47G 2001/002; F21V 33/004;
A45D 42/10

See application file for complete search history.

FIG. 1 is a perspective view of a first embodiment of a mirror showing my new design;

FIG. 2 is another perspective view thereof;

FIG. 3 is a front elevational view thereof

FIG. 4 is a rear elevational view thereof;

FIG. 5 is a left side elevational view thereof;

FIG. 6 is a right side elevational view thereof;

FIG. 7 is a top plan view thereof;

FIG. 8 is a bottom plan view thereof;

FIG. 9 is a perspective view of a second embodiment of the mirror showing my new design;

FIG. 10 is another perspective view thereof;

FIG. 11 is a front elevational view thereof;

FIG. 12 is a rear elevational view thereof;

FIG. 13 is a left side elevational view thereof;

FIG. 14 is a right side elevational view thereof;

FIG. 15 is a top plan view thereof; and,

FIG. 16 is a bottom plan view thereof.

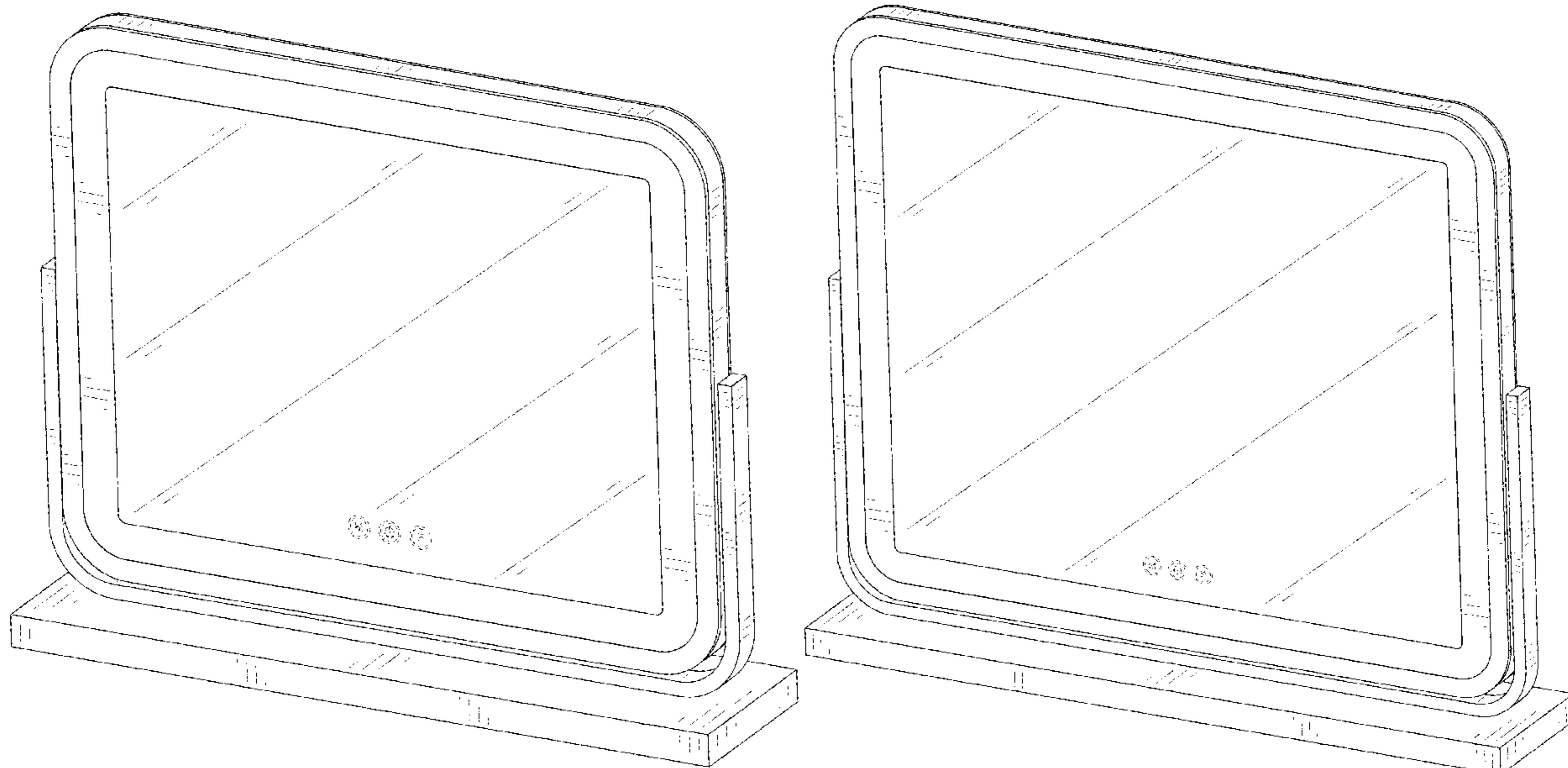
The broken lines in the drawings depict portions of the mirror that form no part of the claimed design.

(56) **References Cited**

U.S. PATENT DOCUMENTS

D497,485 S	*	10/2004	Resultan	D6/300
D529,724 S	*	10/2006	Mohundro	D6/309
D543,366 S	*	5/2007	Weatherly	D6/312
D622,514 S	*	8/2010	Park	D6/308
D651,812 S	*	1/2012	Lee	D6/300
D704,457 S	*	5/2014	Whaley	D6/308
D853,736 S		7/2019	Long		
D889,856 S	*	7/2020	Liu	D6/310
D916,471 S	*	4/2021	Jiang	D6/308
2013/0027913 A1		1/2013	Frisch et al.		
2019/0328113 A1		10/2019	Long et al.		

1 Claim, 16 Drawing Sheets



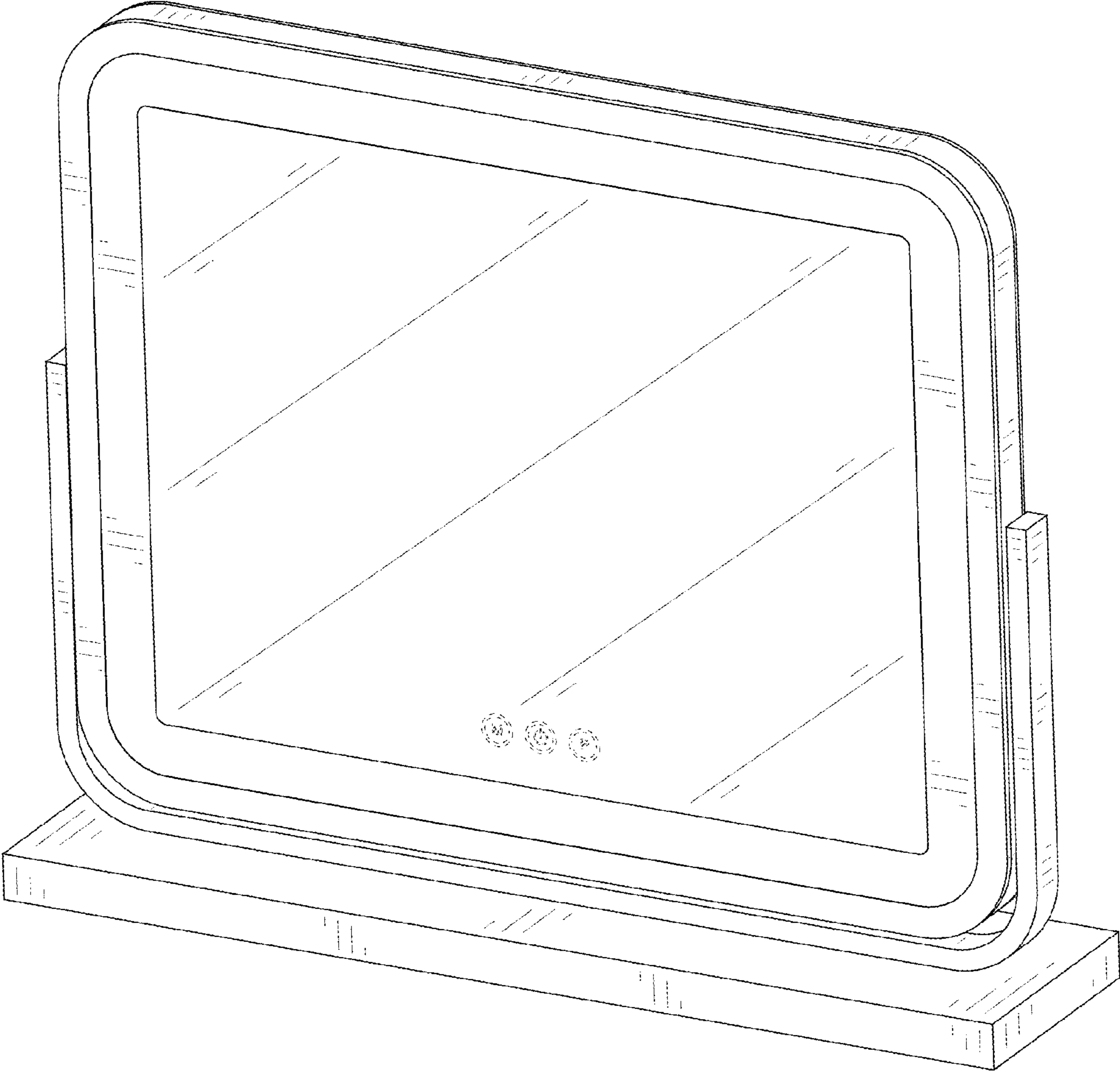


FIG. 1

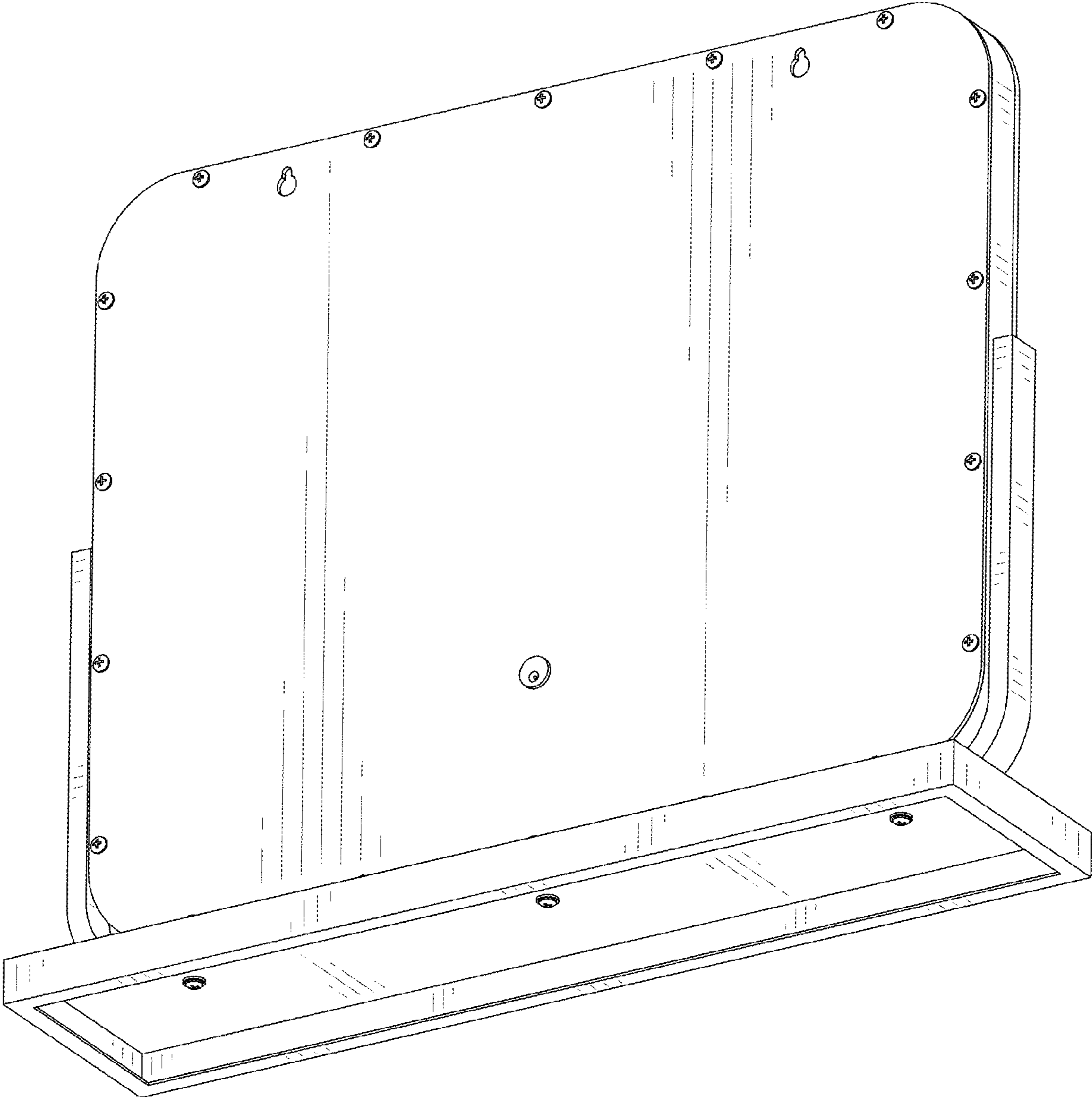


FIG. 2

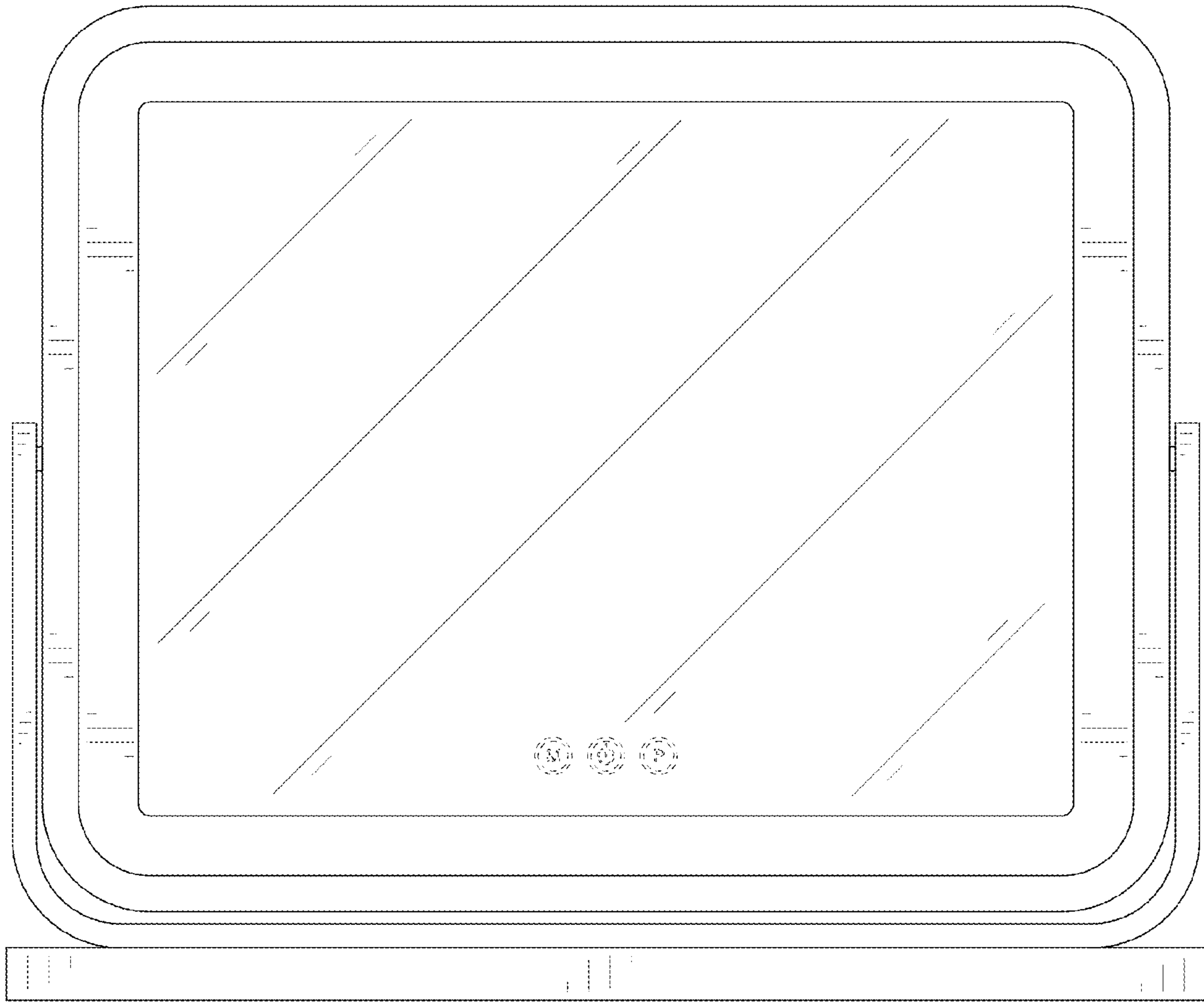


FIG. 3

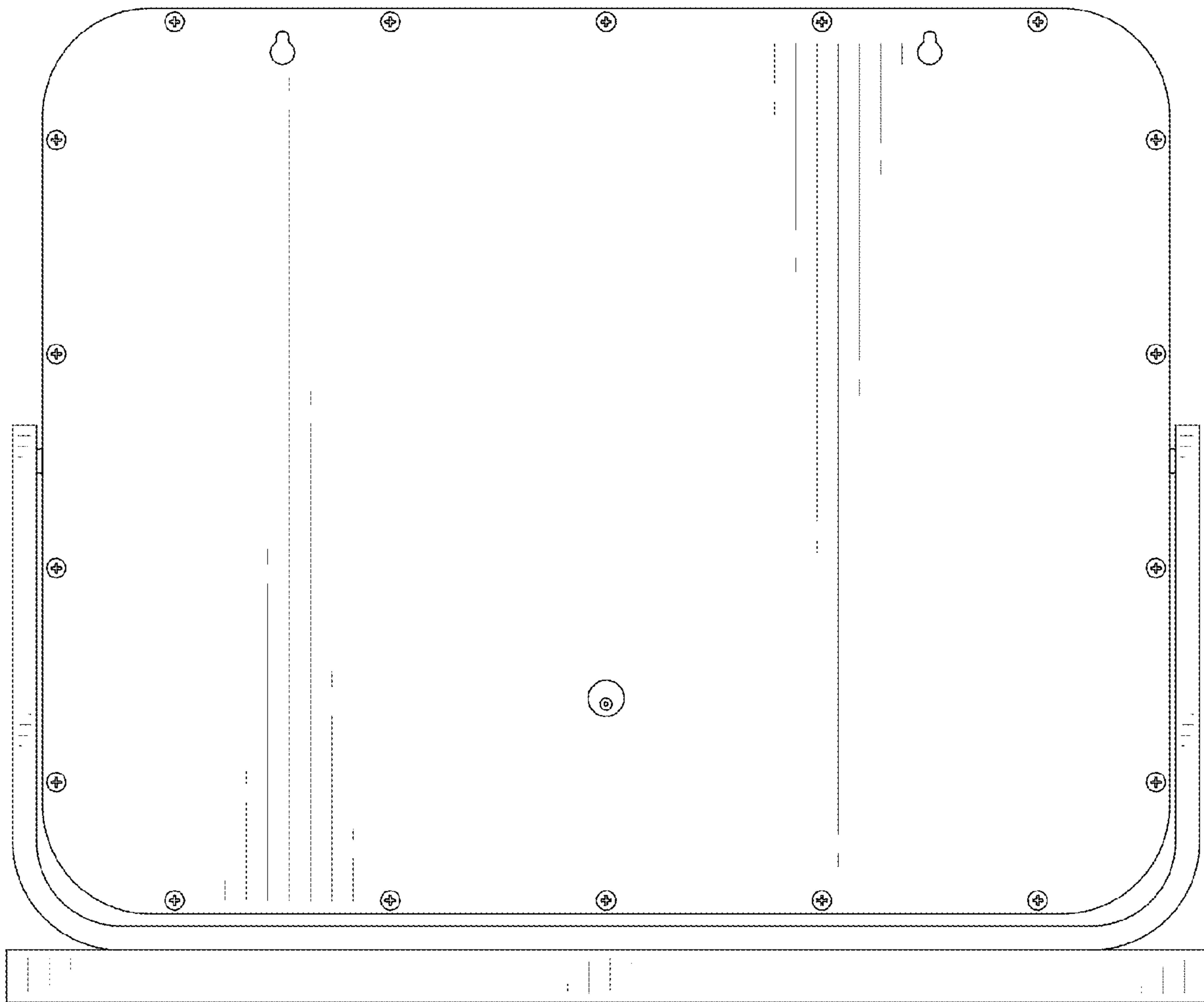


FIG. 4

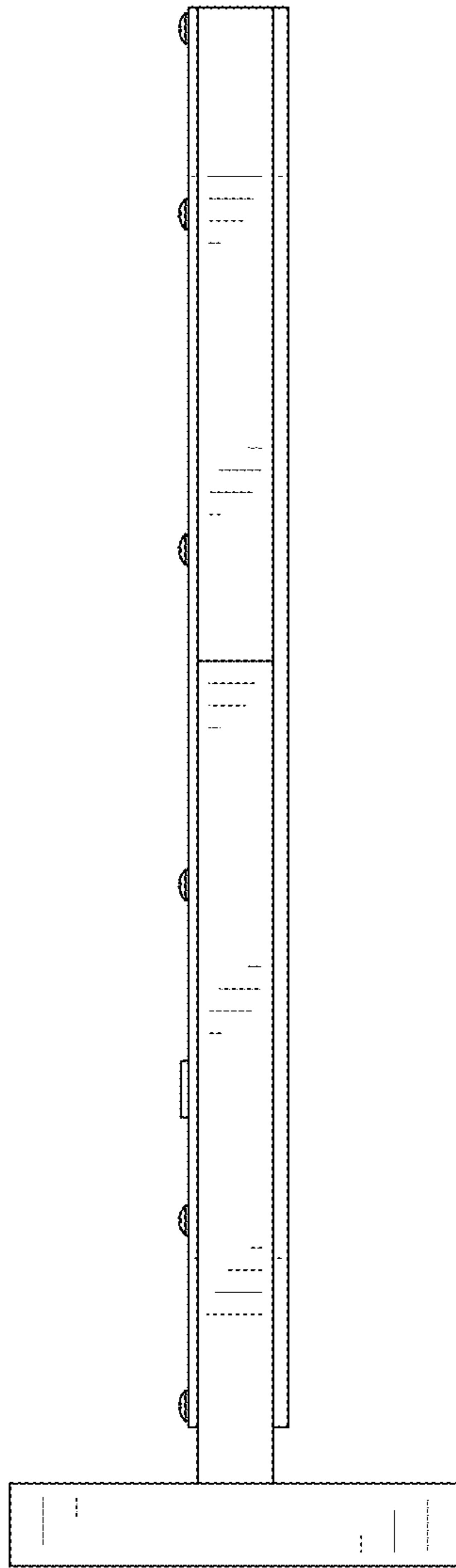


FIG. 5

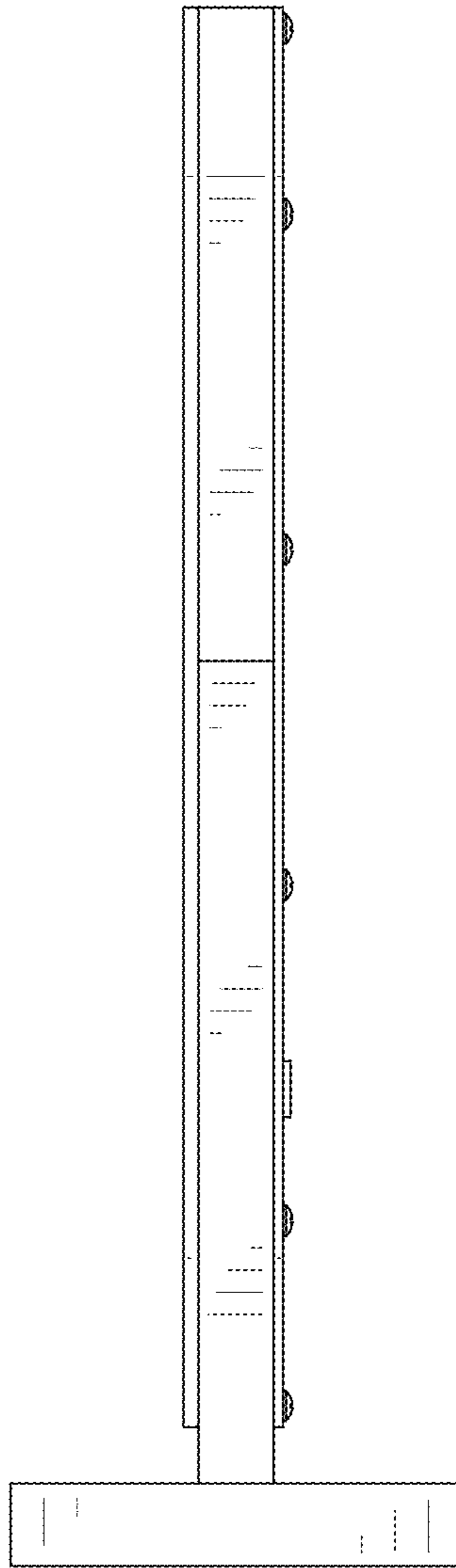


FIG. 6

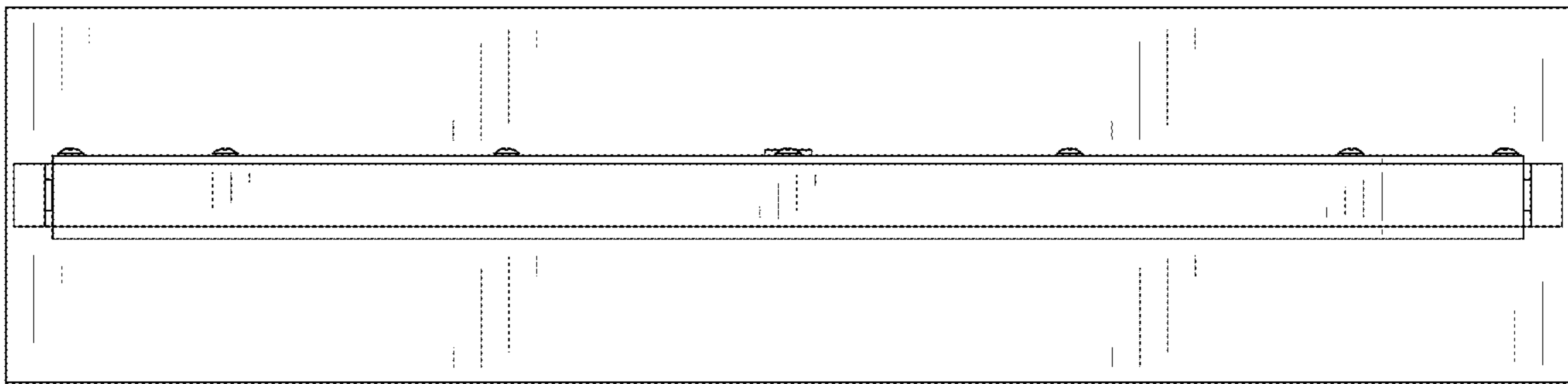


FIG. 7

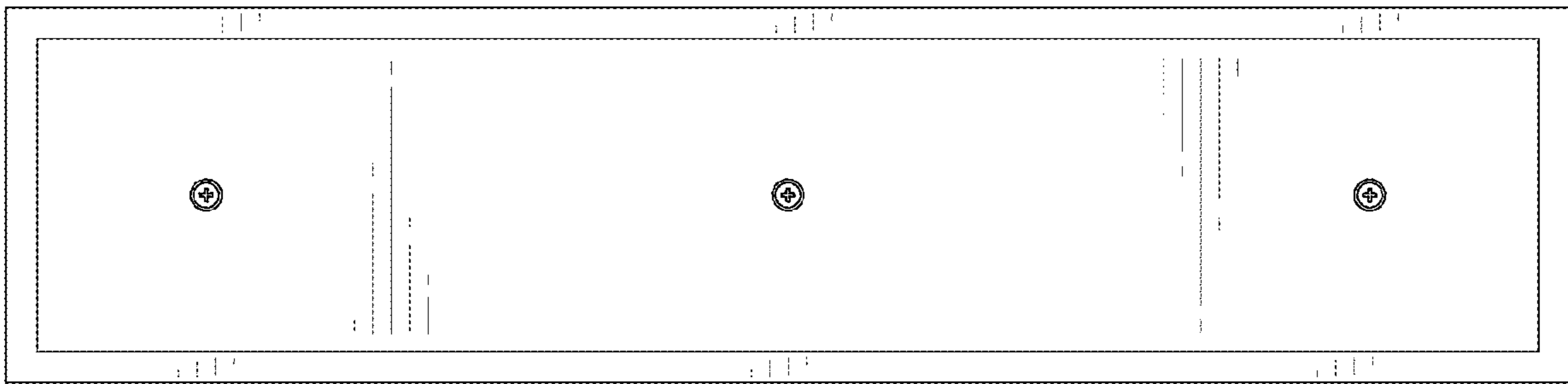


FIG. 8

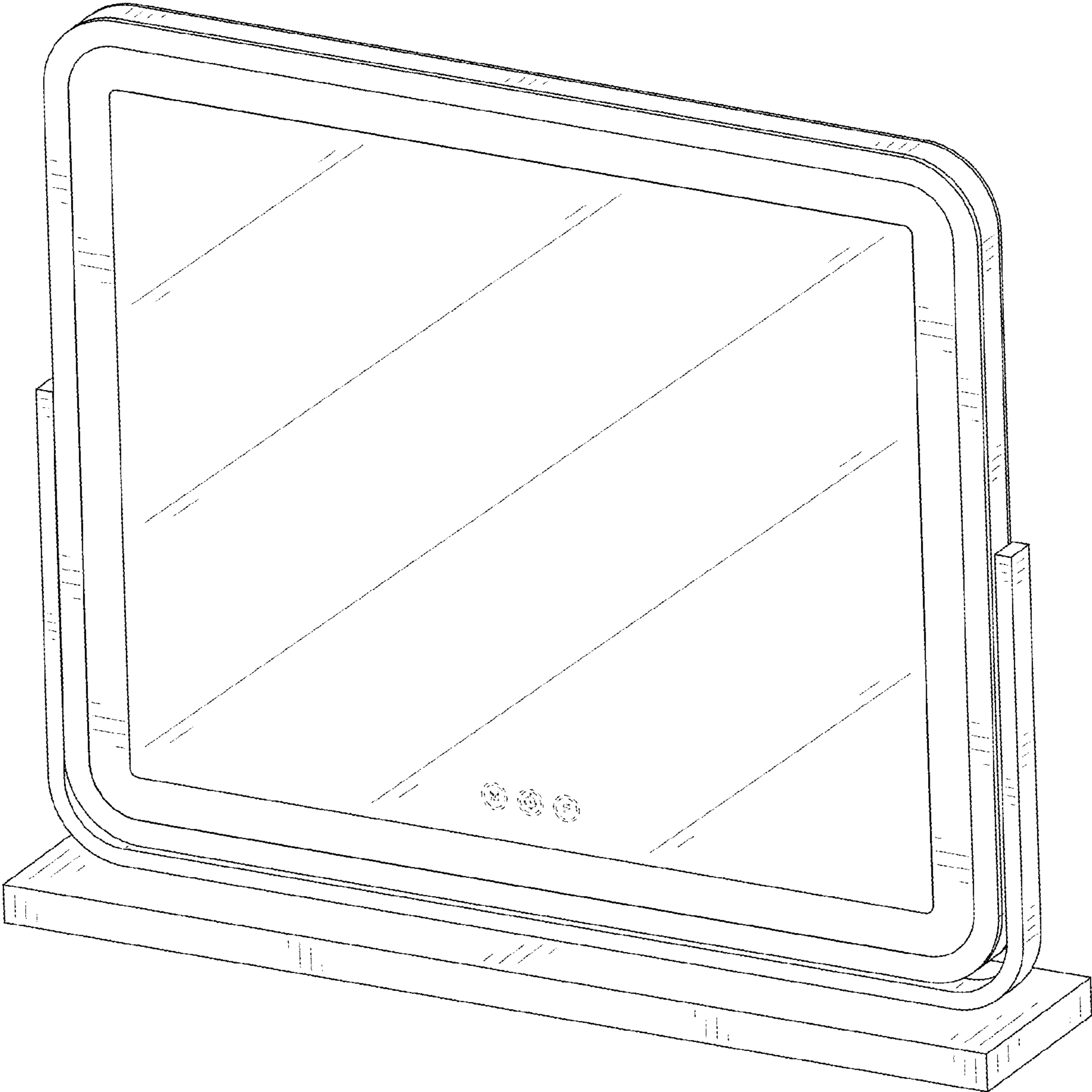


FIG. 9

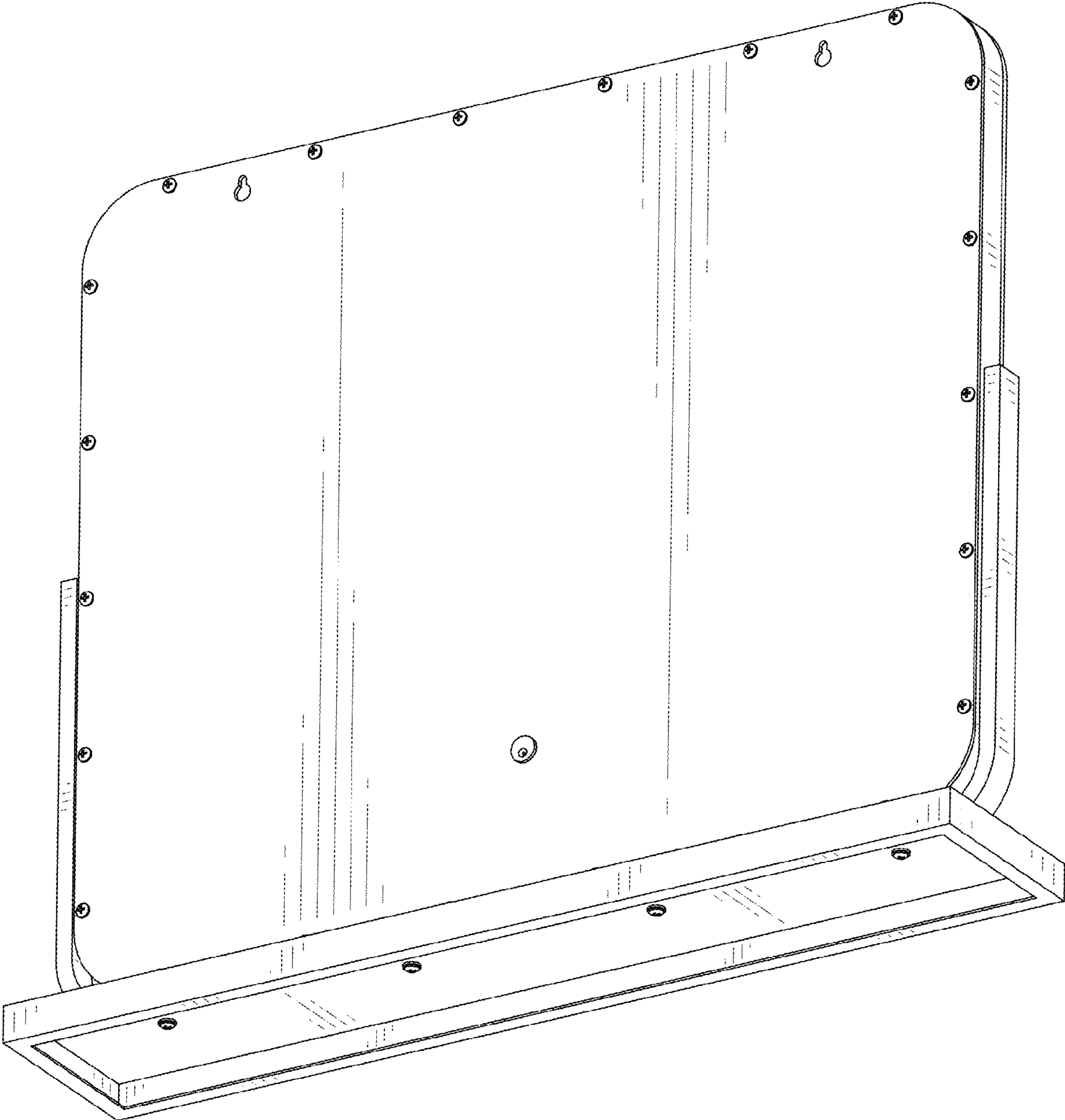


FIG. 10

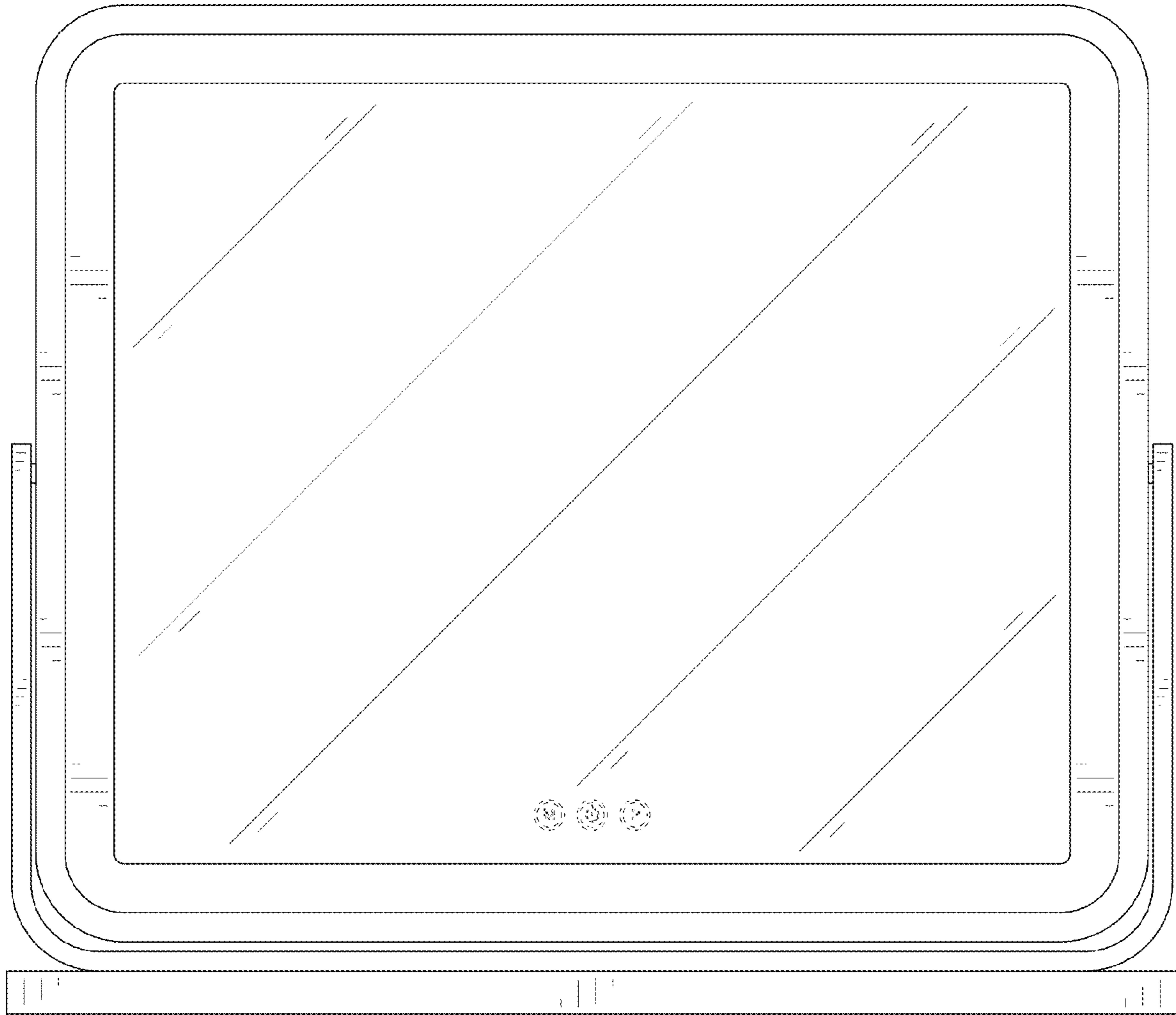


FIG. 11

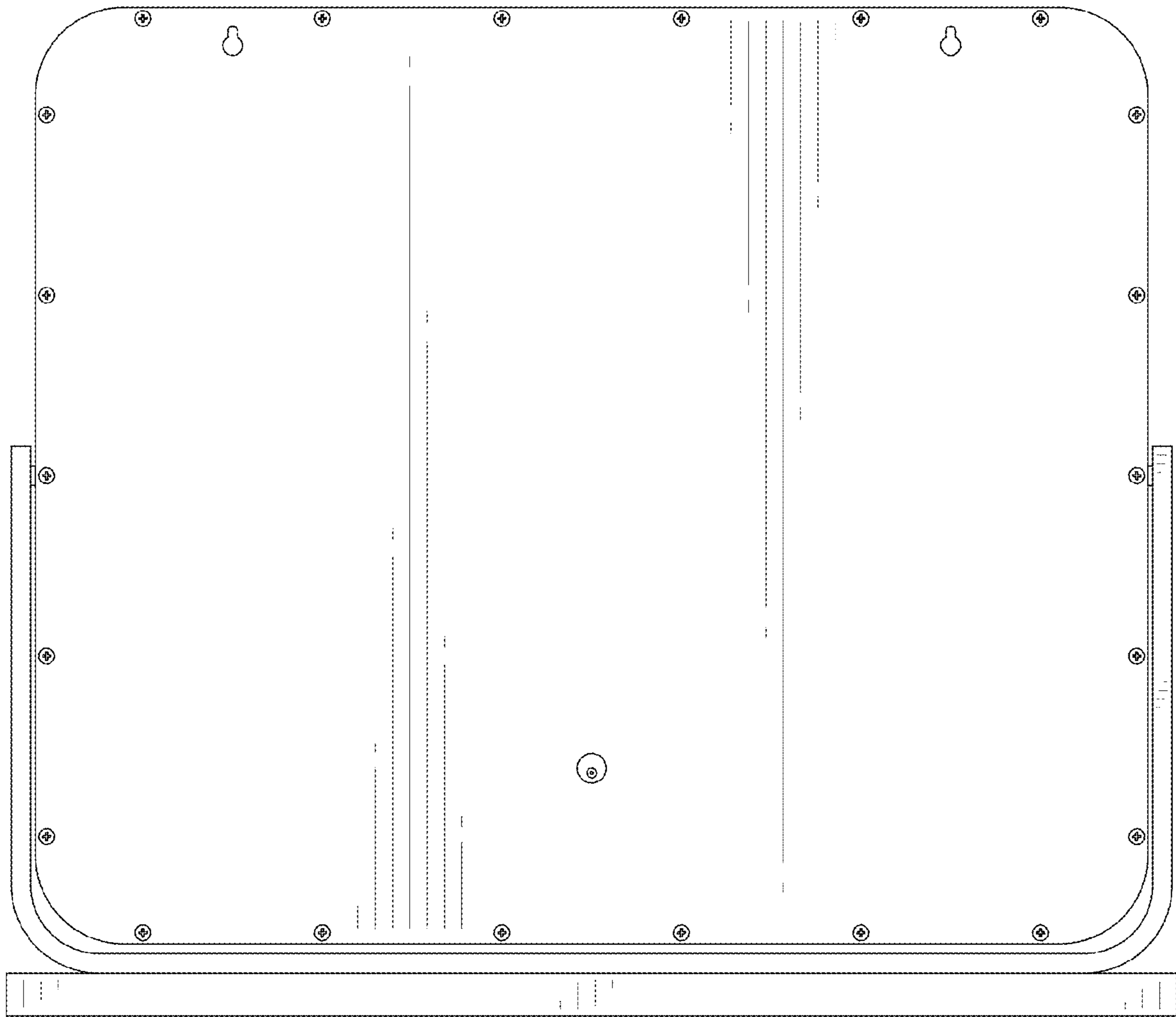


FIG. 12

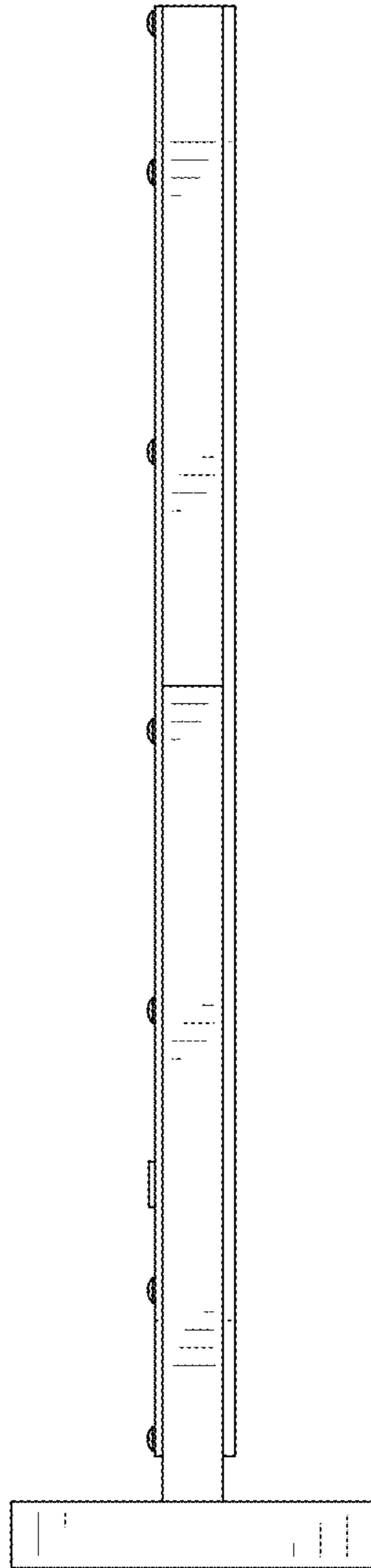


FIG. 13

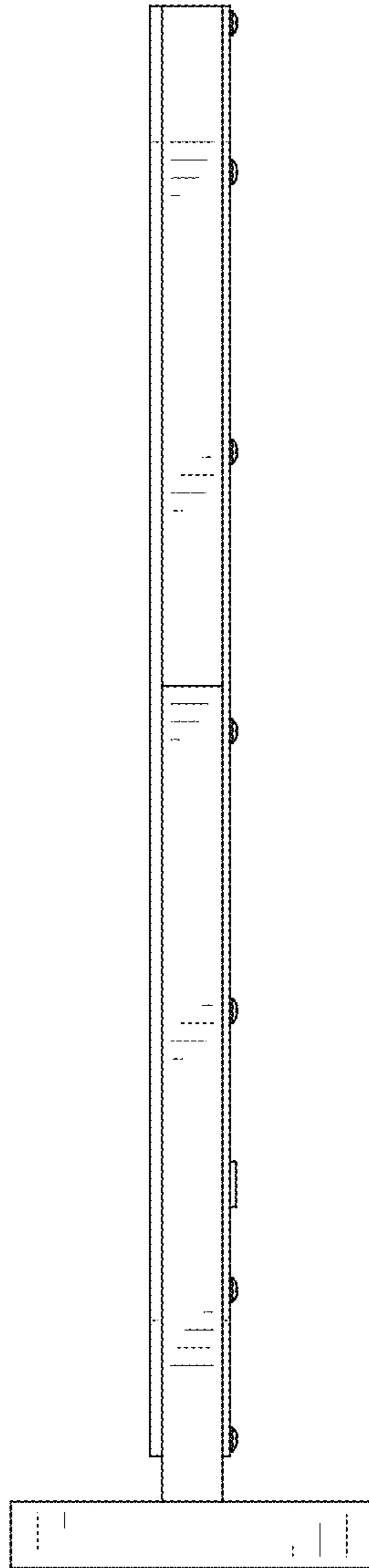


FIG. 14

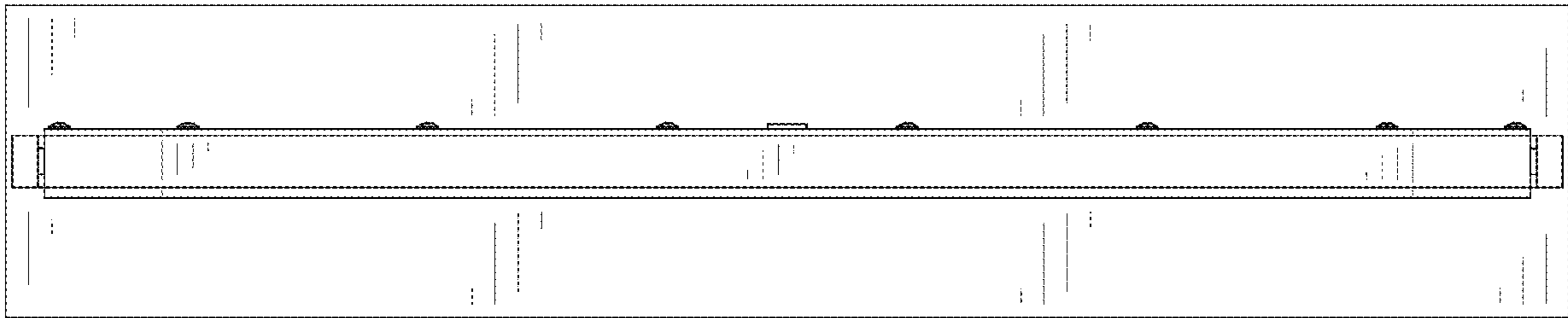


FIG. 15

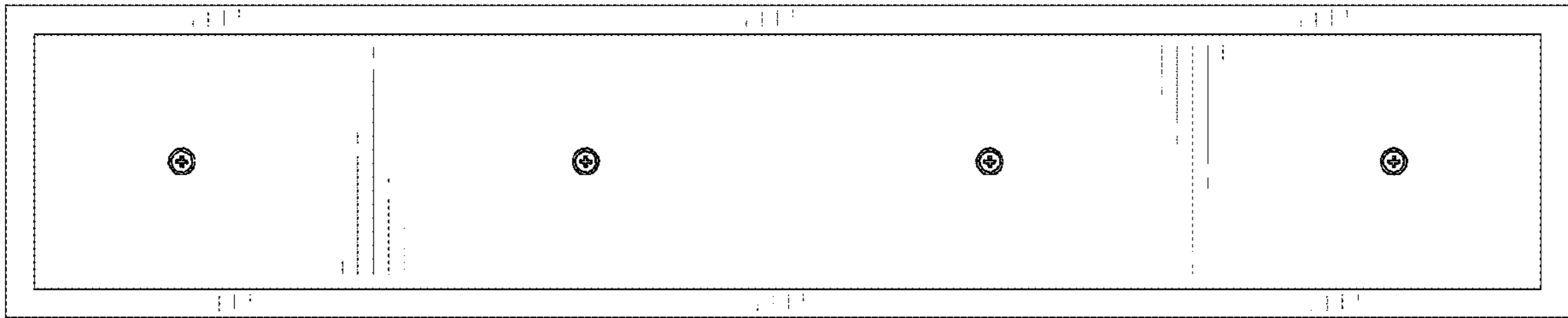


FIG. 16